



US00D896334S

(12) **United States Design Patent**  
**Huang et al.**

(10) **Patent No.:** **US D896,334 S**

(45) **Date of Patent:** **\*\* Sep. 15, 2020**

(54) **INFLATABLE ISLAND**

(71) Applicant: **Bestway Inflatables & Material Corp.**,  
Shanghai (CN)

(72) Inventors: **Shuiyong Huang**, Shanghai (CN);  
**Hongxing Zhang**, Shanghai (CN)

(73) Assignee: **BESTWAY INFLATABLES &**  
**MATERIAL CORP.**, Shanghai (CN)

(\*\*) Term: **15 Years**

(21) Appl. No.: **29/635,077**

(22) Filed: **Jan. 26, 2018**

(51) **LOC (12) Cl.** ..... **21-02**

(52) **U.S. Cl.**  
USPC ..... **D21/802**

(58) **Field of Classification Search**  
USPC ..... D21/646, 769-771, 778, 792, 801,  
D21/803-810, 814, 818-819  
CPC .. A41D 13/0518; A63B 2208/03; B63B 21/66  
See application file for complete search history.

(56) **References Cited**

**U.S. PATENT DOCUMENTS**

D340,965 S *	11/1993	Lee	.....	D21/818
D407,259 S *	3/1999	Jackson	.....	D6/601
D451,568 S *	12/2001	Gordon	.....	D21/801
D539,066 S *	3/2007	Coquillet	.....	D6/601
D587,507 S *	3/2009	Martin	.....	D6/604
D596,261 S *	7/2009	Cirjak	.....	D21/803
D596,262 S *	7/2009	Cirjak	.....	D21/803
D639,887 S *	6/2011	Cirjak	.....	D21/818
D651,840 S *	1/2012	Davis, III	.....	A47C 20/048
				D6/601
D652,884 S *	1/2012	VanElverdinghe	.....	D21/801
D708,752 S *	7/2014	Oberst	.....	D24/190
D721,778 S *	1/2015	Rademacher	.....	D21/803
D722,354 S *	2/2015	Rademacher	.....	D21/803

D731,817 S *	6/2015	Rogers	.....	D6/601
D741,975 S *	10/2015	Rademacher	.....	D21/801
D837,918 S *	1/2019	Denney, Jr.	.....	D21/808

**OTHER PUBLICATIONS**

“Aquaglide Aquapark Promo” Oct. 30, 2013, Vimeo.Com, site visited May 10, 2020: <https://vimeo.com/78162562> (Year: 2013).\*  
“Inflatable Water Park Obstacle Course Battle” Jul. 30, 2018, Youtube, site visited May 10, 2020: <https://youtu.be/-tdea5OX8I0> (Year: 2018).\*

\* cited by examiner

*Primary Examiner* — Jack Reickel

*Assistant Examiner* — Melvin L Davis

(74) *Attorney, Agent, or Firm* — Aj Moss; Dickinson Wright PLLC

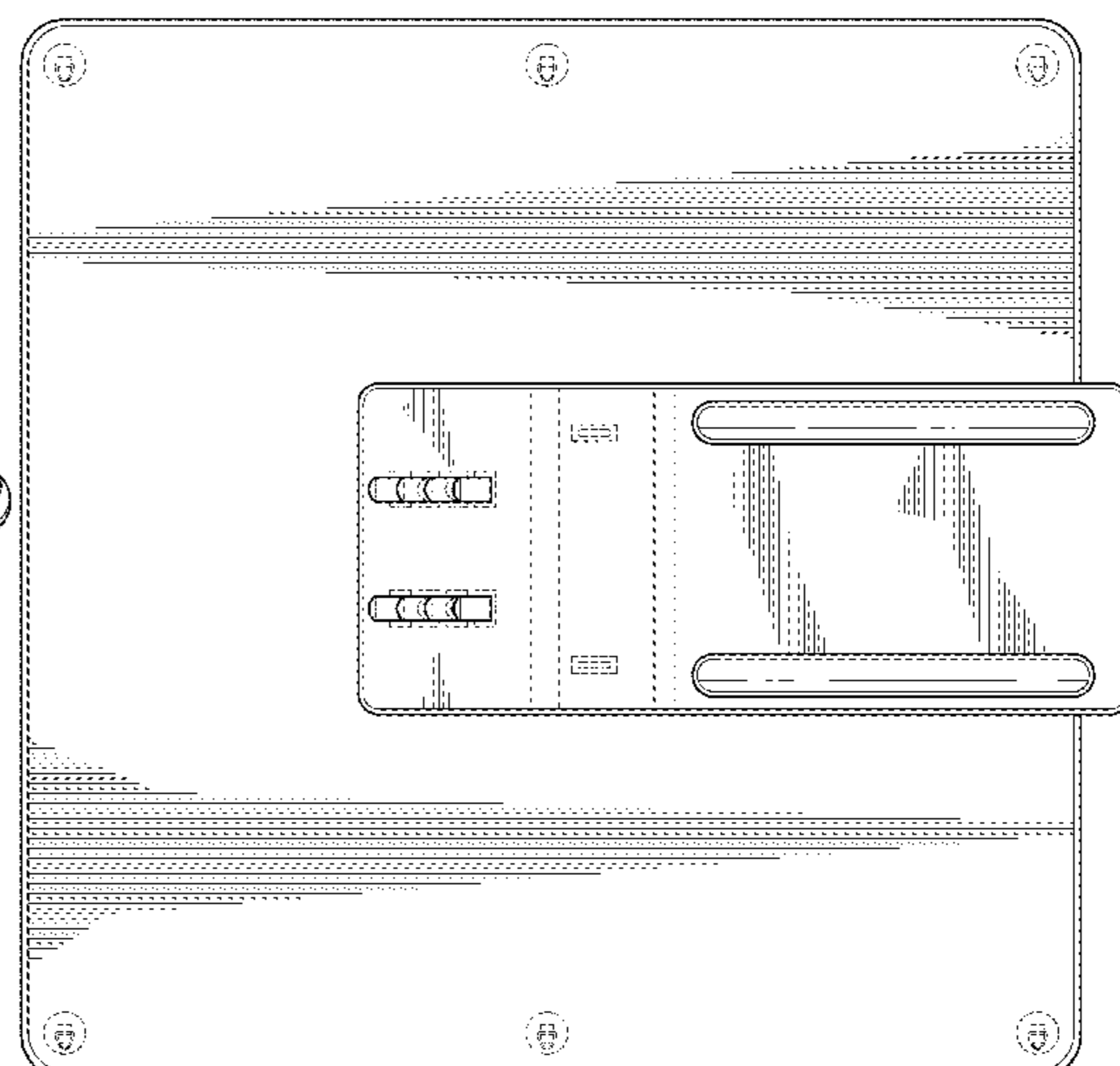
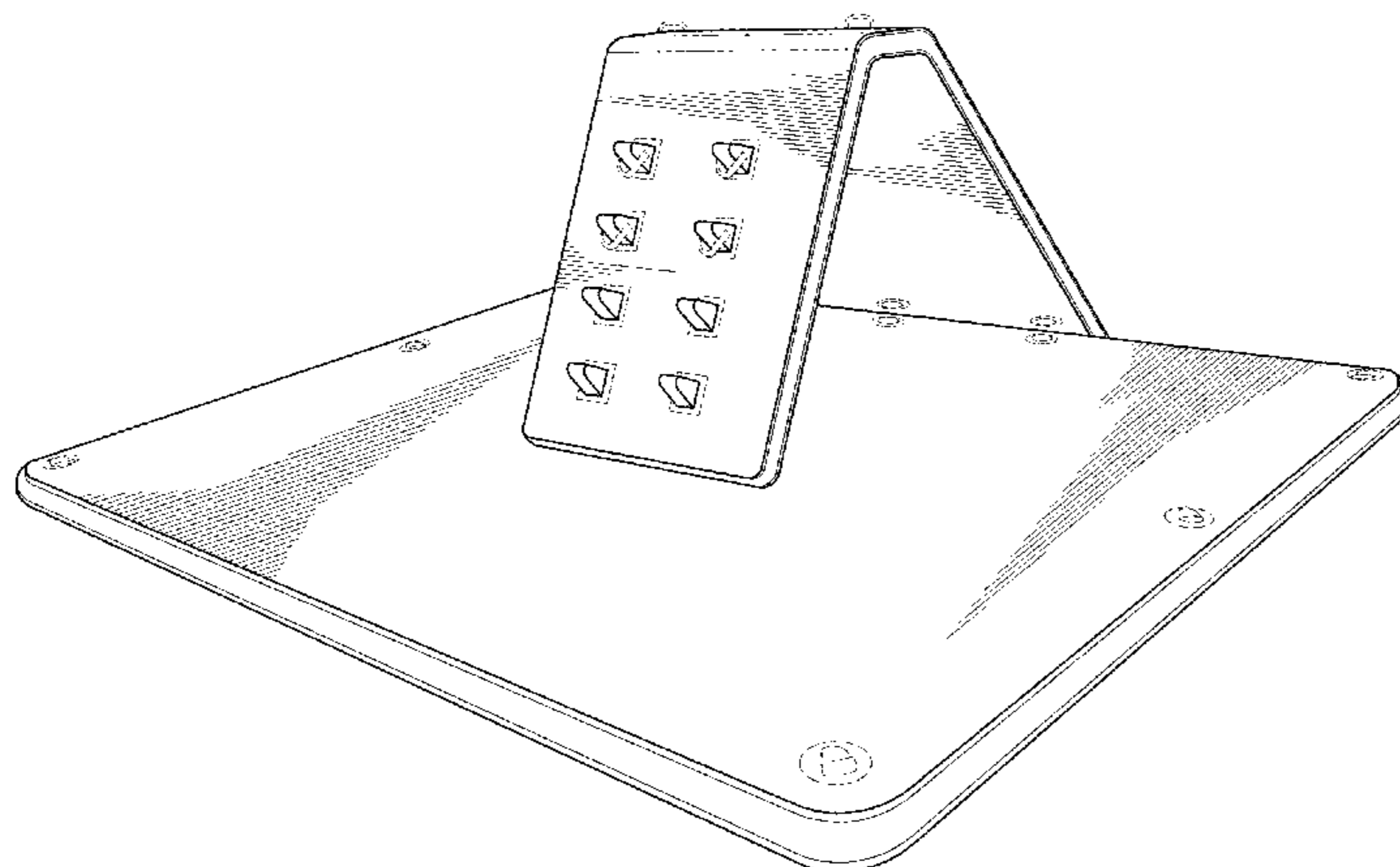
(57) **CLAIM**

We claim the ornamental design for an inflatable island, as shown and described.

**DESCRIPTION**

FIG. 1 is a perspective view of an inflatable island according to the new design;  
FIG. 2 is a left side elevation view of the inflatable island shown in FIG. 1;  
FIG. 3 is a right side elevation view of the inflatable island shown in FIG. 1;  
FIG. 4 is a top side elevation view of the inflatable island shown in FIG. 1;  
FIG. 5 is a bottom side elevation view of the inflatable island shown in FIG. 1;  
FIG. 6 is a rear side elevation view of the inflatable island shown in FIG. 1; and,  
FIG. 7 is a front side elevation view of the inflatable island shown in FIG. 1.  
Broken lines in the drawings form no part of the claimed design.

**1 Claim, 5 Drawing Sheets**



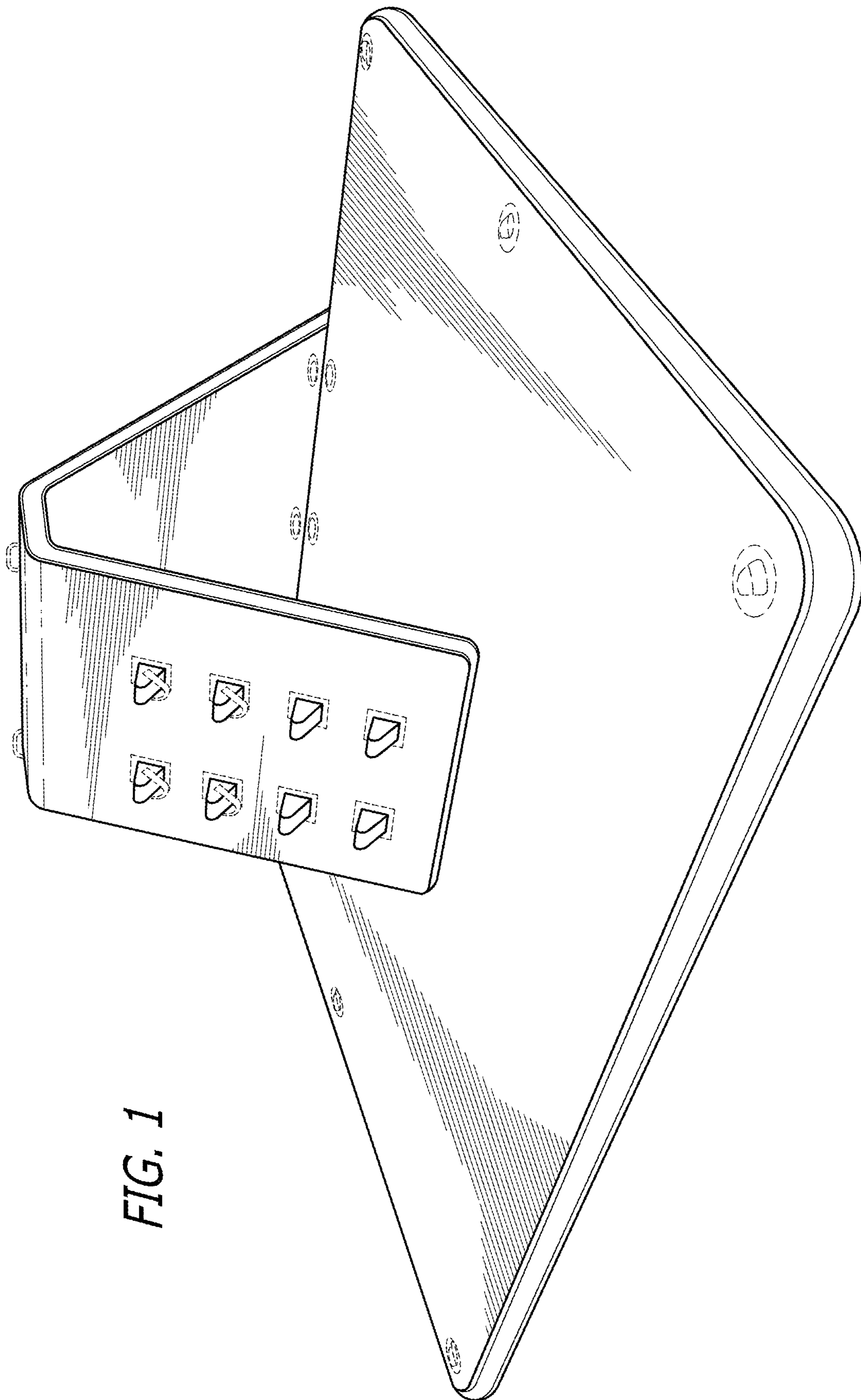


FIG. 1

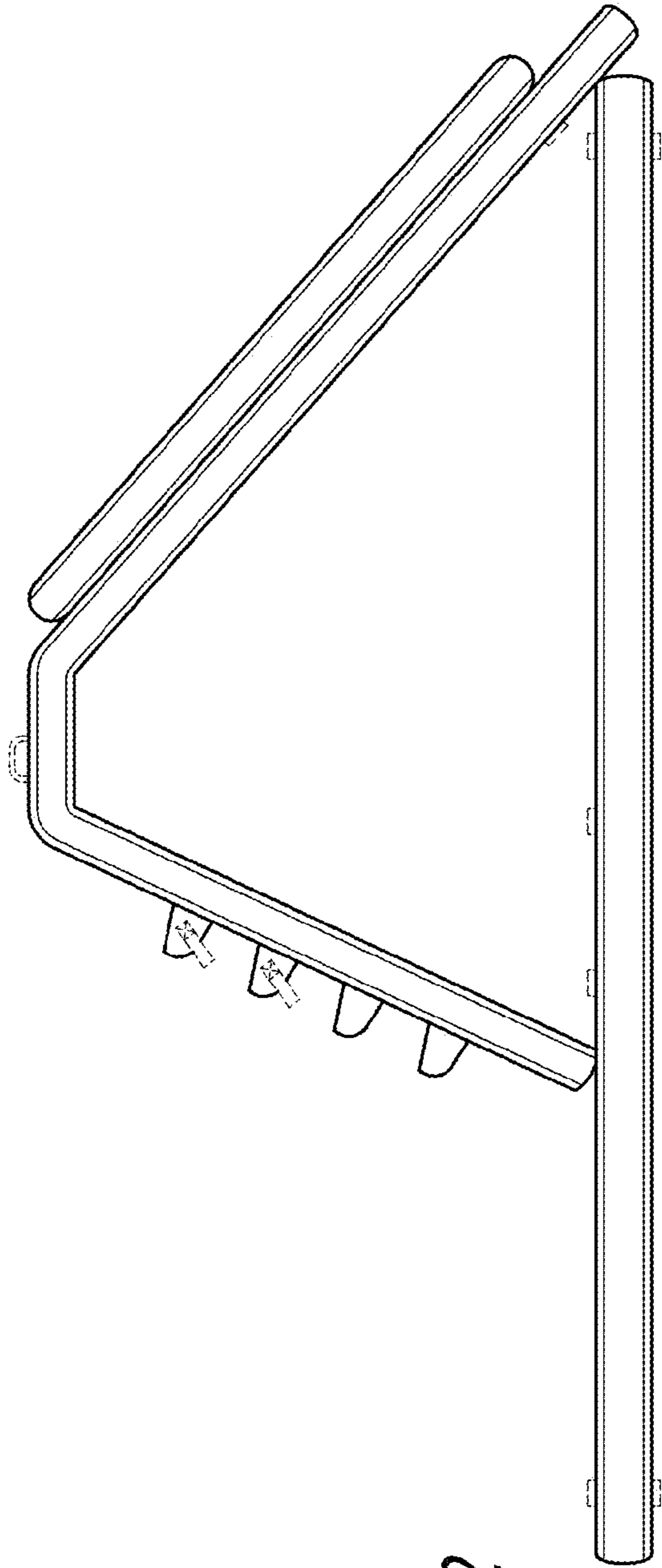


FIG. 2

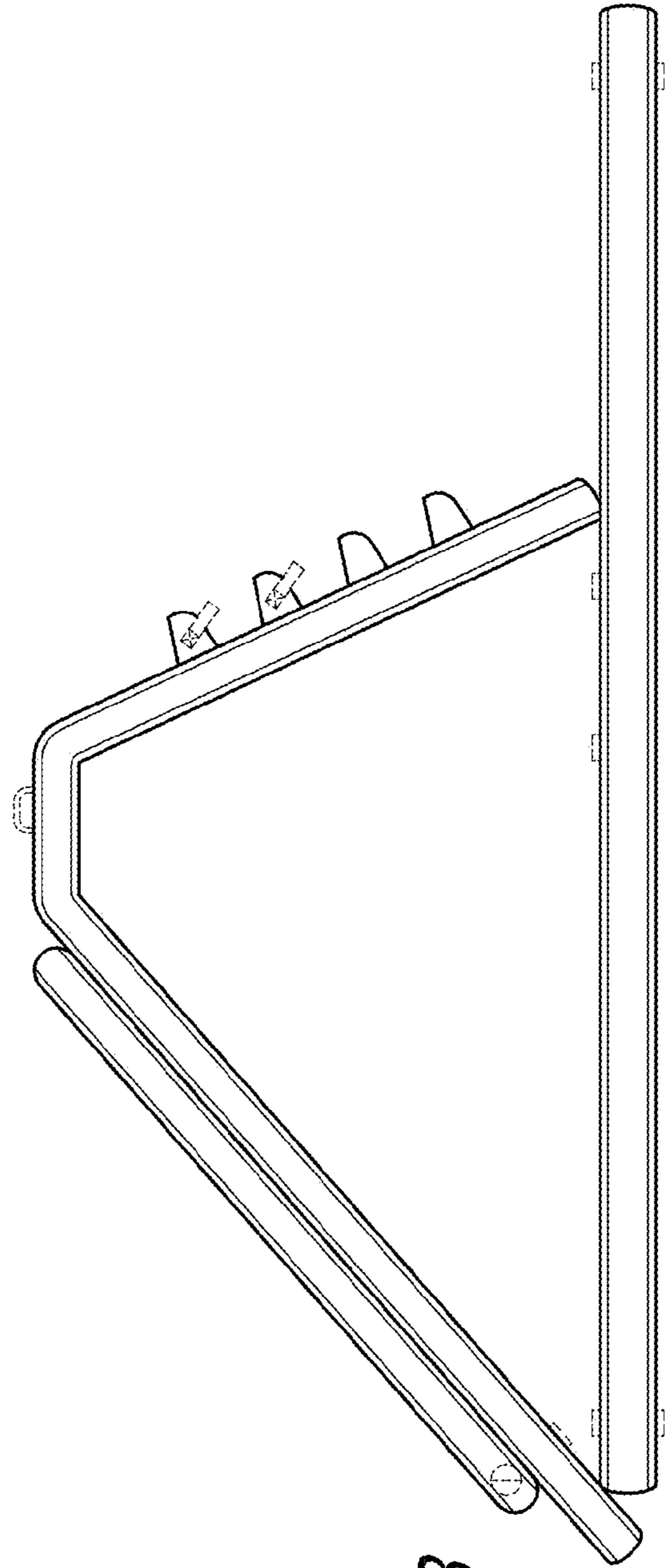


FIG. 3

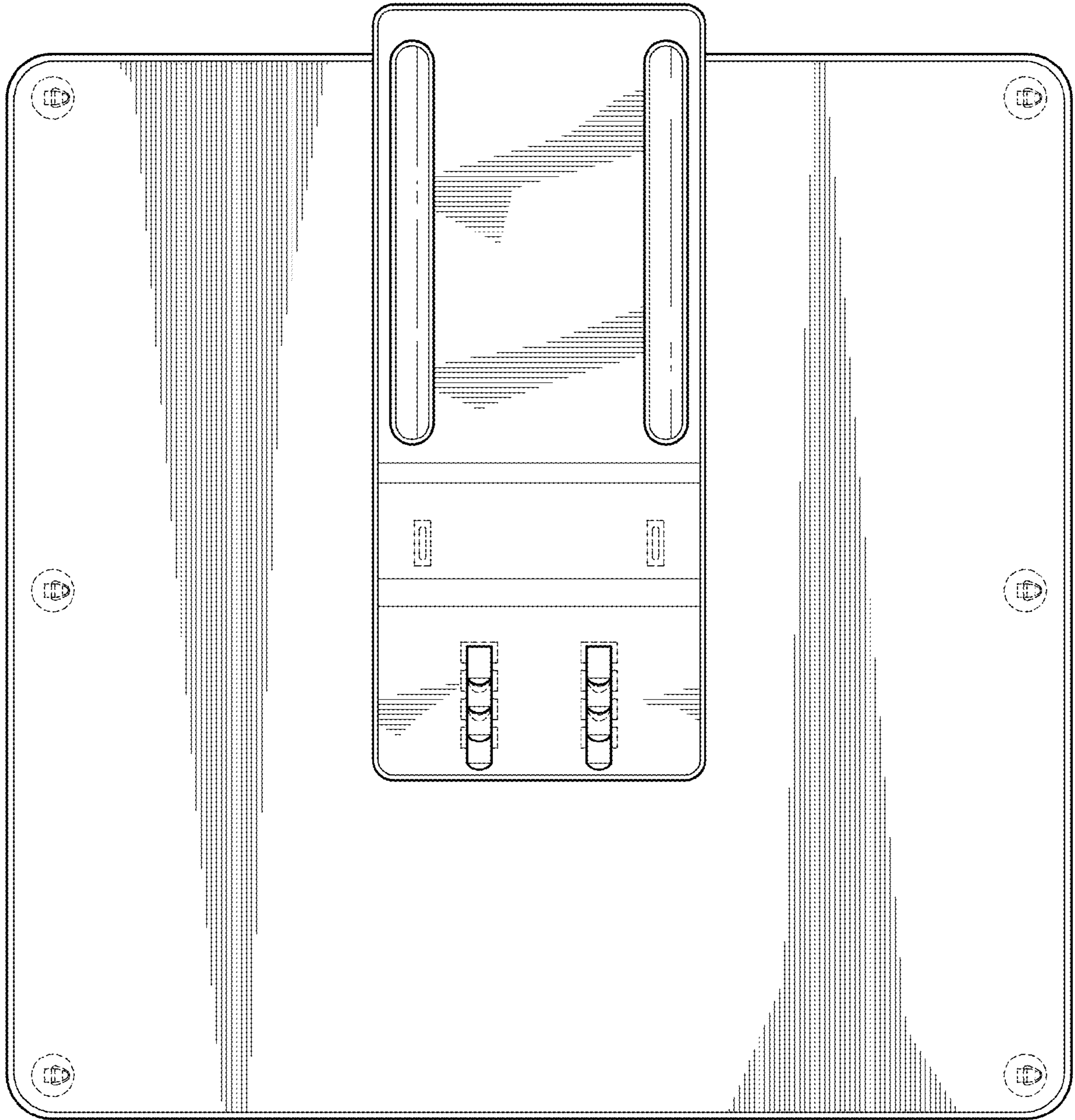


FIG. 4

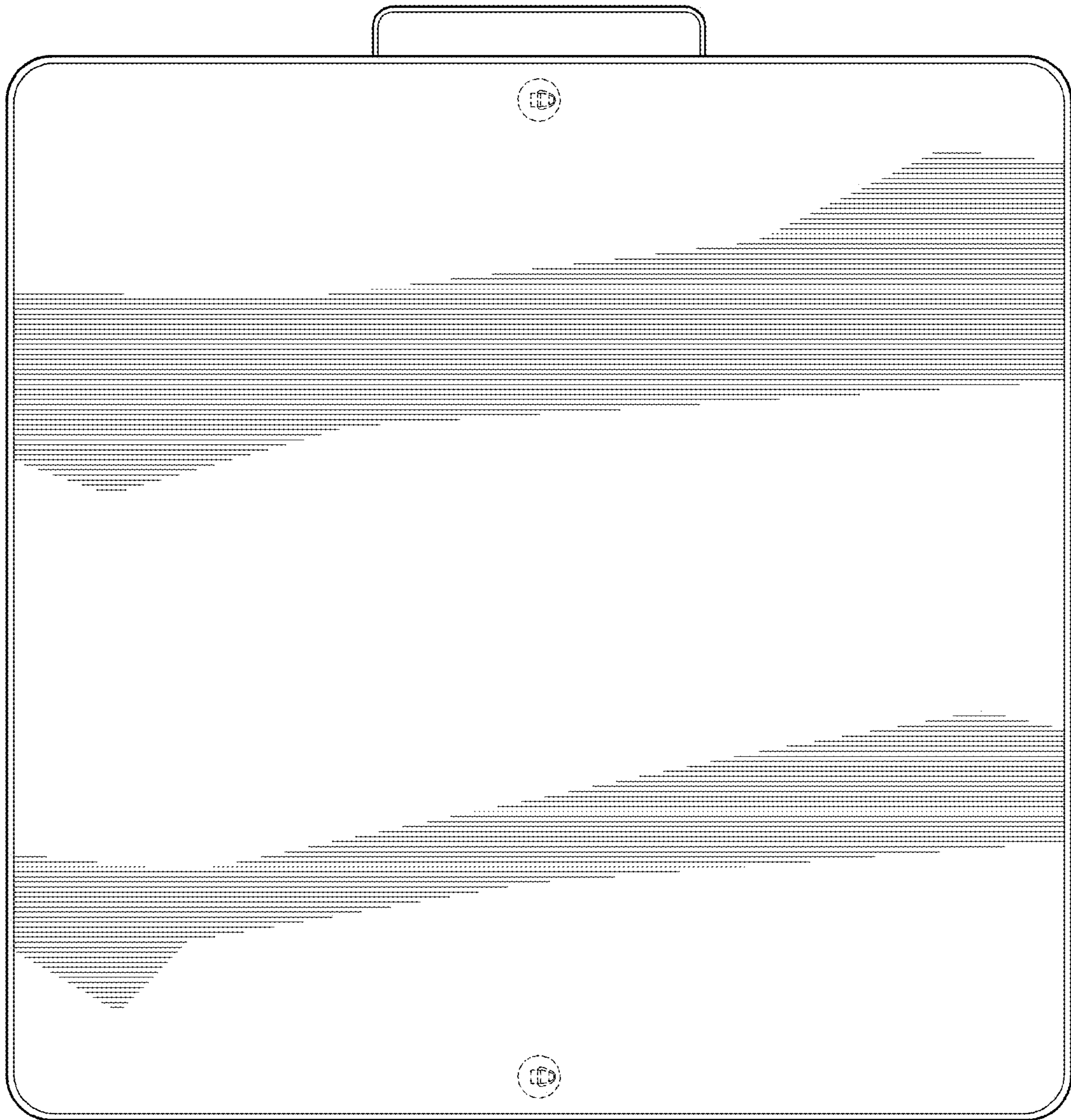


FIG. 5

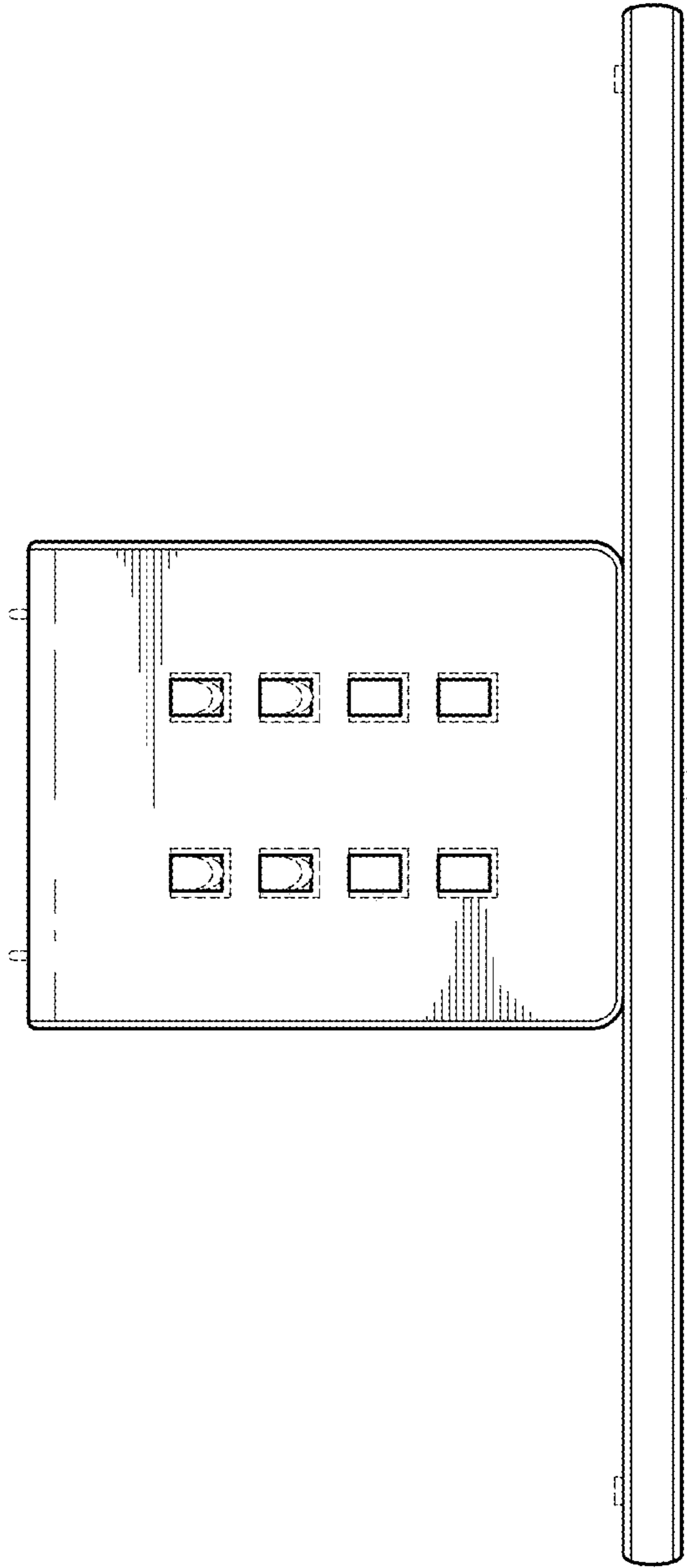


FIG. 6

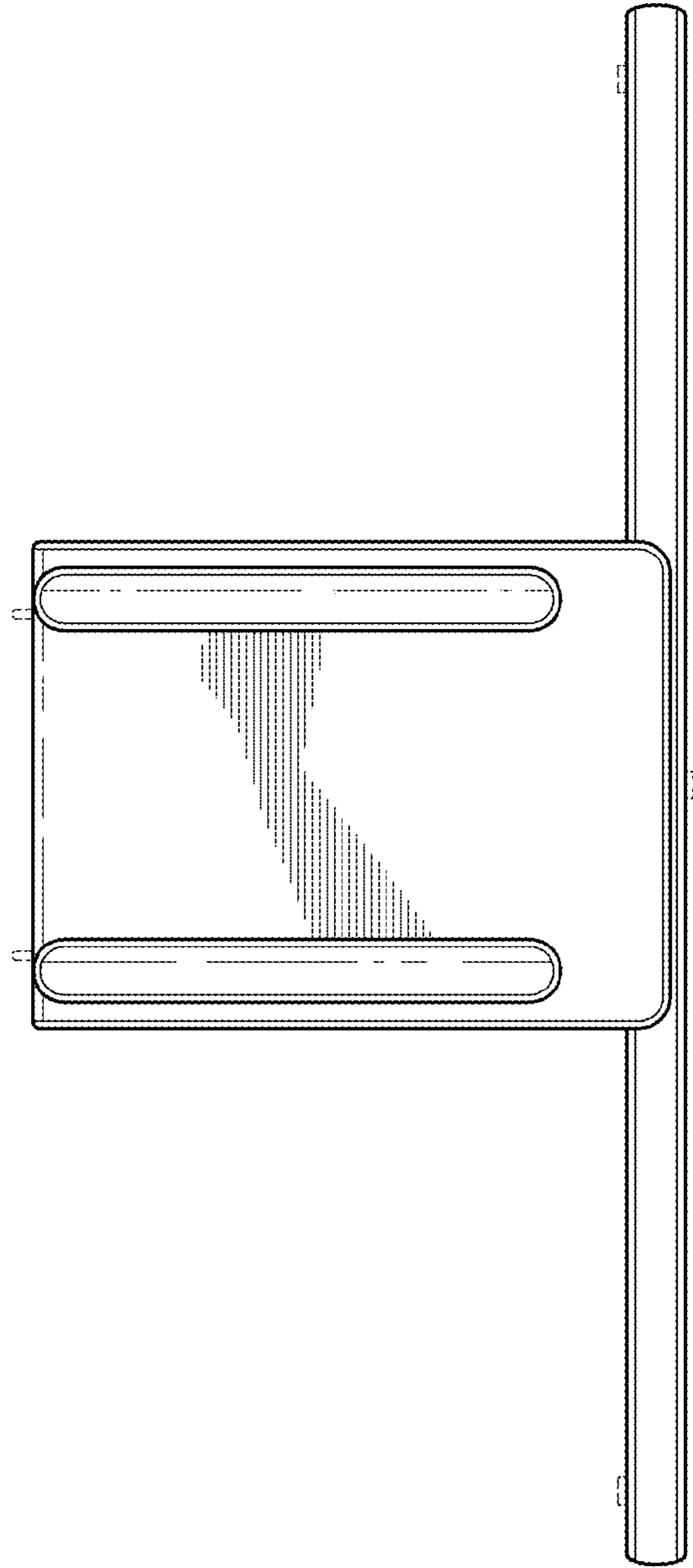


FIG. 7