



US00D896333S

(12) **United States Design Patent** (10) **Patent No.:** **US D896,333 S**
Liu (45) **Date of Patent:** **** Sep. 15, 2020**

(54) **ELECTRIC ROLLER SHOE** 2006/0186617 A1* 8/2006 Farrelly A63C 17/18
280/8
(71) Applicant: **Zhiyong Liu**, Changsha (CN) 2008/0136126 A1 6/2008 Yang
2009/0107008 A1 4/2009 Chou
(72) Inventor: **Zhiyong Liu**, Changsha (CN) 2009/0174163 A1* 7/2009 Farrelly A63C 17/06
280/87.041
(**) Term: **15 Years** 2009/0284001 A1 11/2009 Lee
2017/0056756 A1* 3/2017 Pikulski A63C 17/12
2018/0257732 A1* 9/2018 Chen B62K 11/007
2020/0061444 A1* 2/2020 Zhang A63C 17/02
(21) Appl. No.: **29/727,609**
(22) Filed: **Mar. 12, 2020**
(51) **LOC (12) Cl.** **21-02**
(52) **U.S. Cl.**
USPC **D21/763**
(58) **Field of Classification Search**
USPC D21/760, 763, 765, 771; D12/1
CPC A63C 17/00; A63C 17/01; A63C 17/012;
A63C 17/016; A63C 17/04; A63C 17/045
See application file for complete search history.

* cited by examiner

Primary Examiner — Cynthia M. Chin

(57) **CLAIM**

The ornamental design for an electric roller shoe, as shown and described.

DESCRIPTION

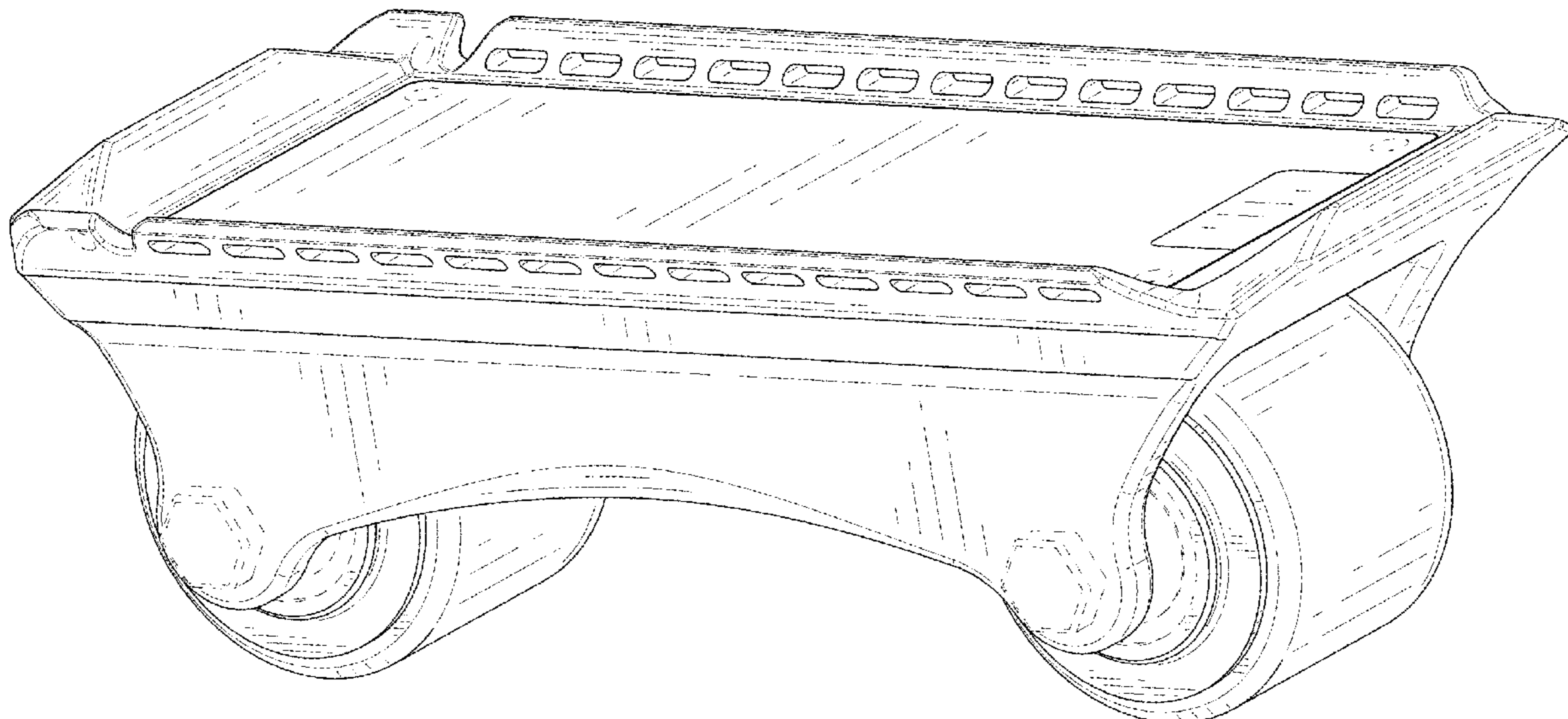
FIG. 1 is a perspective view of an electric roller shoe showing my new design;
FIG. 2 is another perspective view thereof;
FIG. 3 is a front elevational view thereof;
FIG. 4 is a rear elevational view thereof;
FIG. 5 is a left side elevational view thereof;
FIG. 6 is a right side elevational view thereof;
FIG. 7 is a top plan view thereof; and,
FIG. 8 is a bottom plan view thereof.
The broken lines immediately adjacent the shaded areas represent the bounds of the claim. All other broken lines are for the purpose of illustrating portions of the article that form no part of the claim. None of the broken lines form a part of the claimed design.

(56) **References Cited**

U.S. PATENT DOCUMENTS

3,795,409 A * 3/1974 Cudmore A63C 17/01
280/87.042
5,803,473 A * 9/1998 Bouden A63C 17/01
280/11.19
D465,003 S * 10/2002 Ohrvall D21/760
D567,318 S * 4/2008 Farrelly A63C 17/06
D21/763
9,919,200 B2 * 3/2018 Mo A63C 17/12
D865,891 S * 11/2019 Liu D21/763
D867,504 S * 11/2019 Cao D21/763
D879,224 S * 3/2020 Li D21/763
D879,225 S * 3/2020 Li D21/763
10,625,141 B2 * 4/2020 Li B62K 13/00
2006/0170174 A1 * 8/2006 Hiramatsu A63C 17/0033
280/87.041

1 Claim, 8 Drawing Sheets



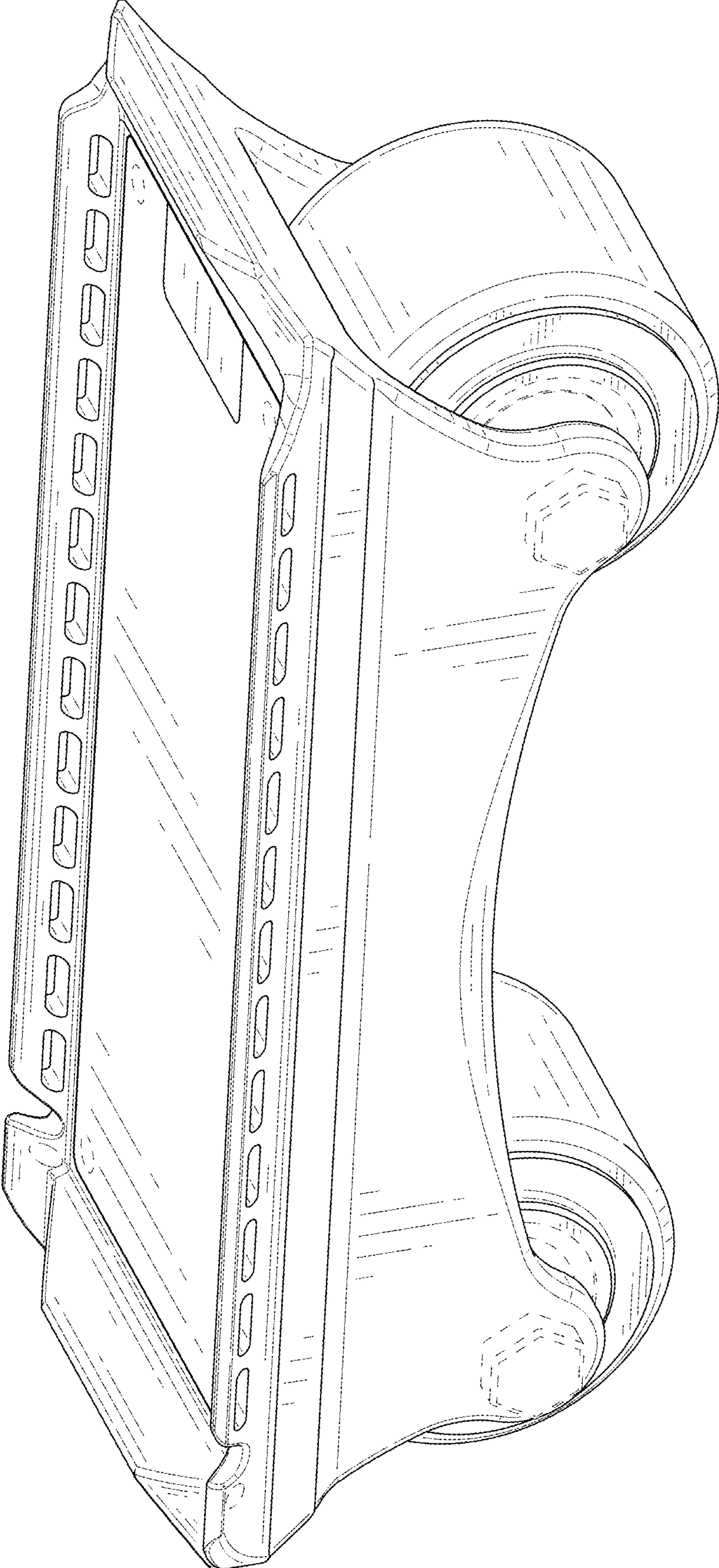


FIG. 1

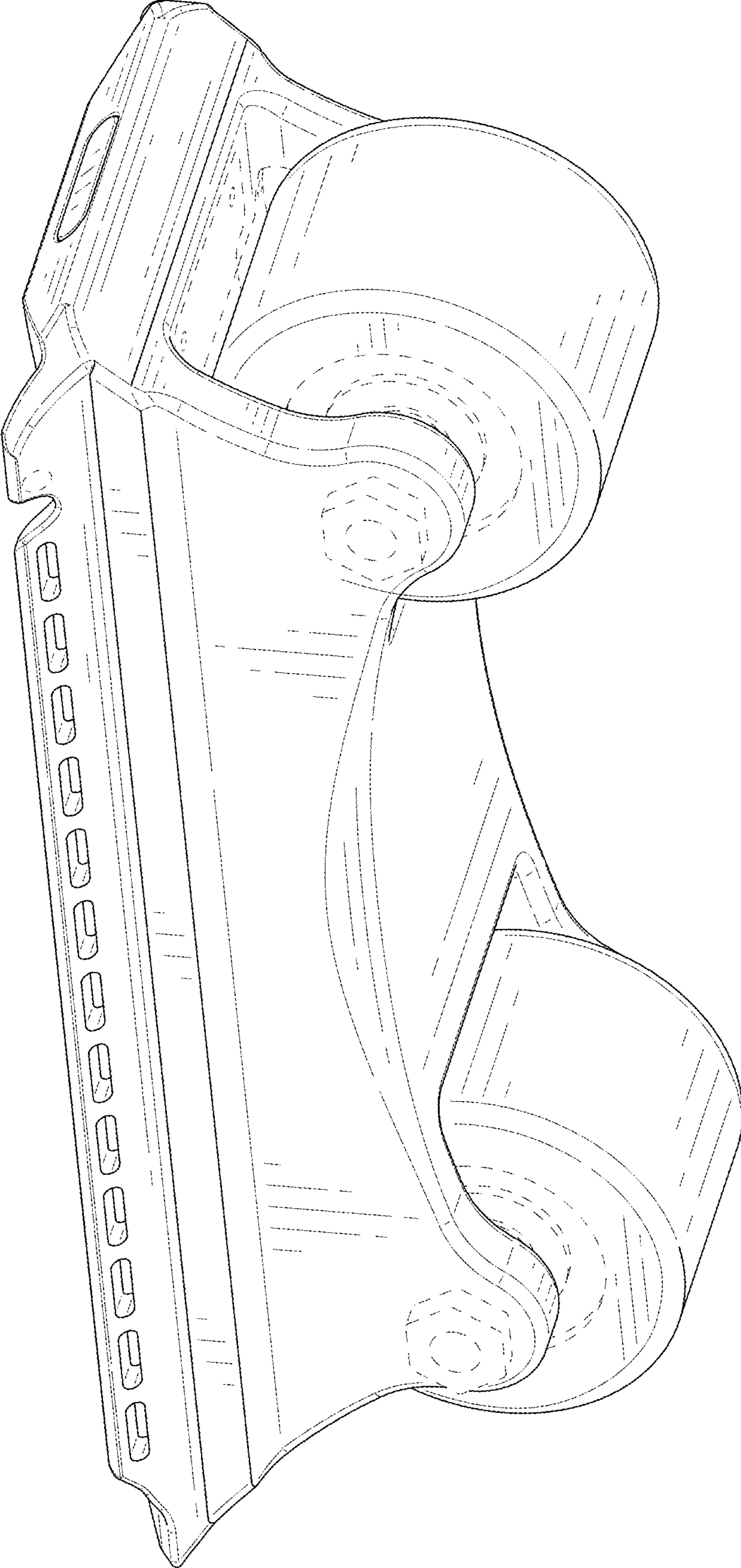


FIG. 2

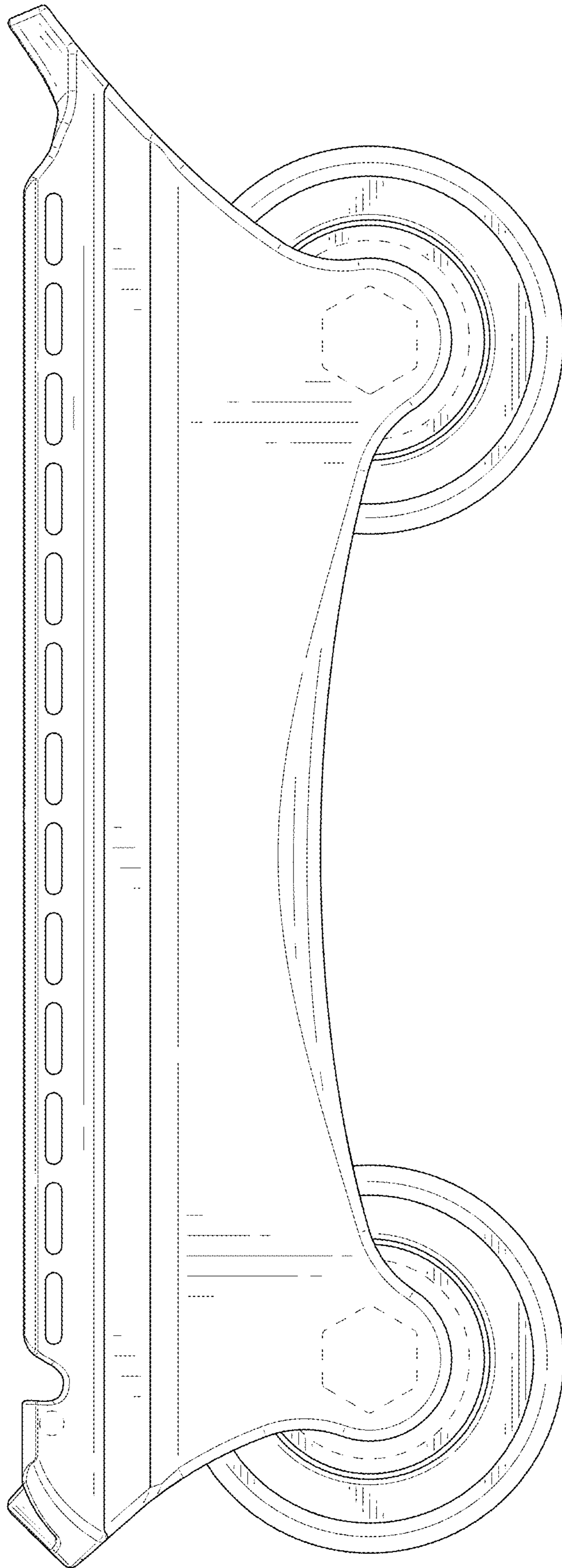


FIG. 3

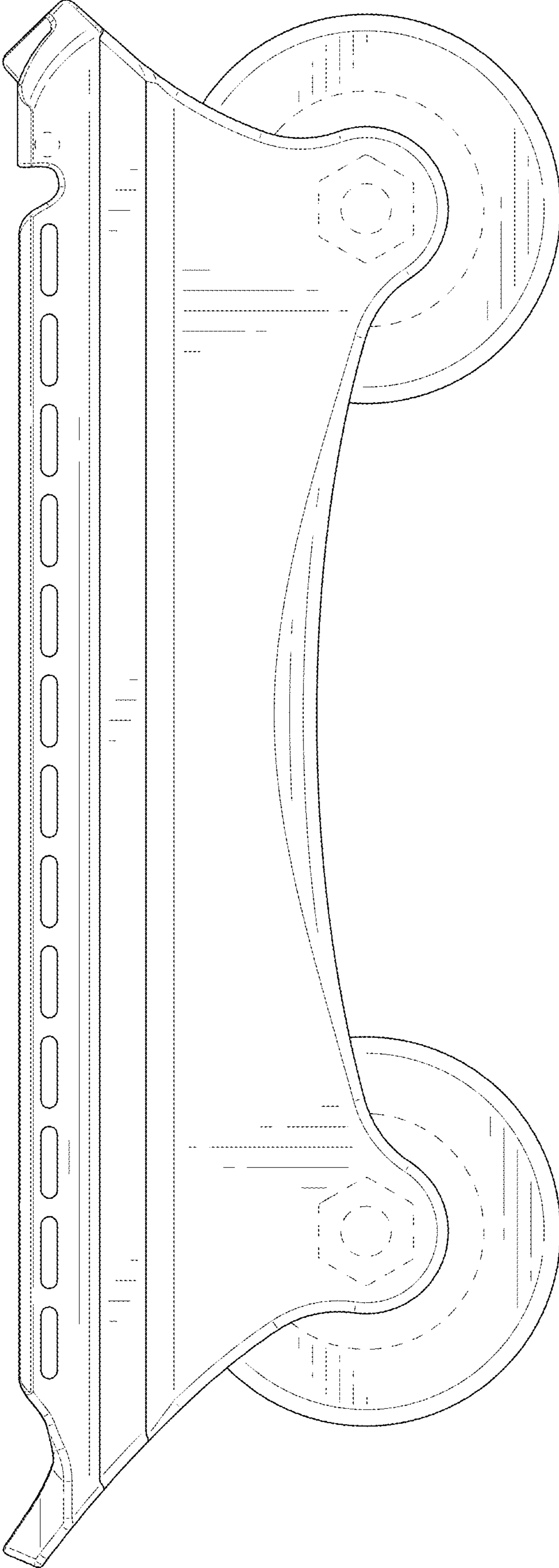


FIG. 4

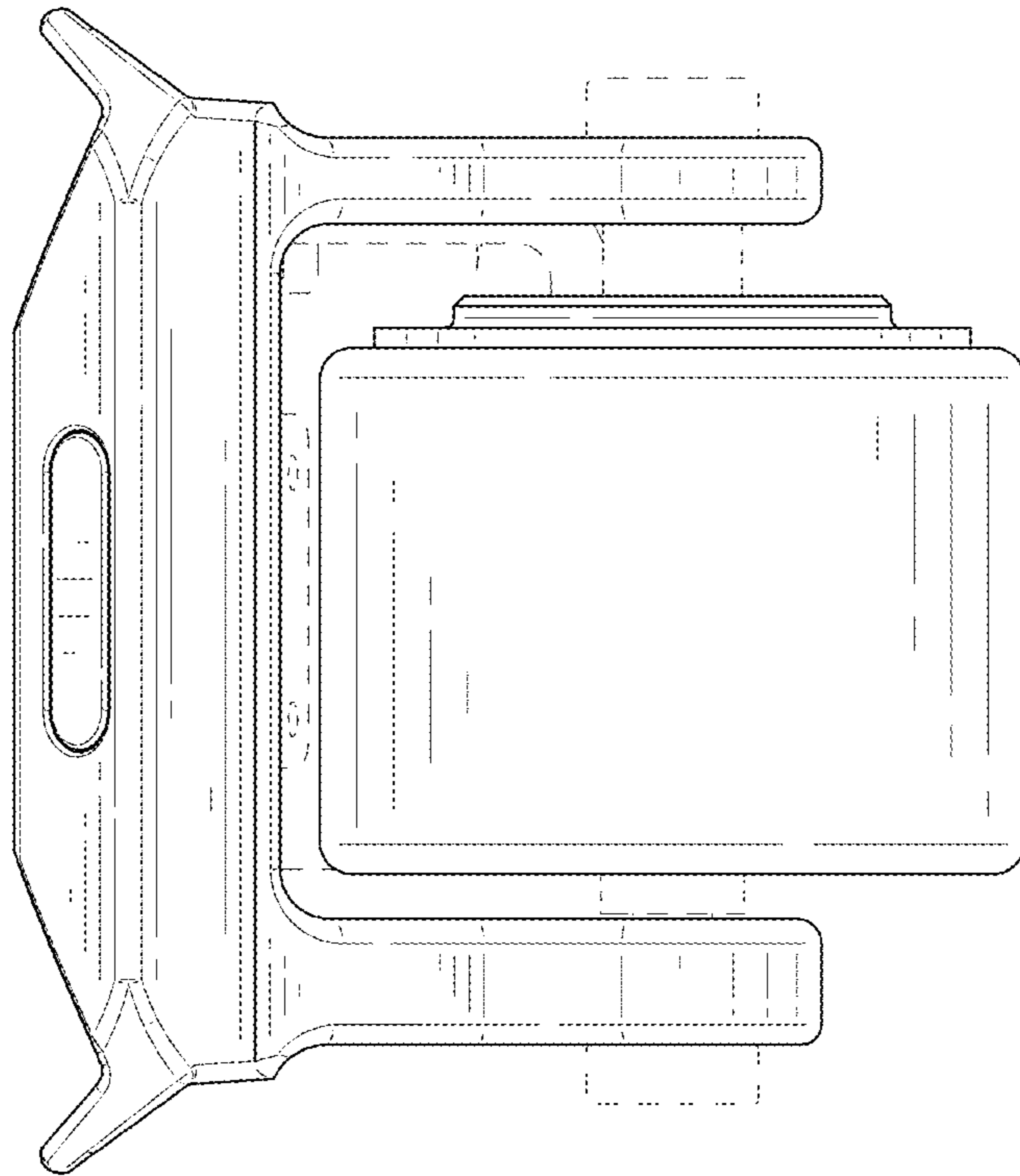


FIG. 5

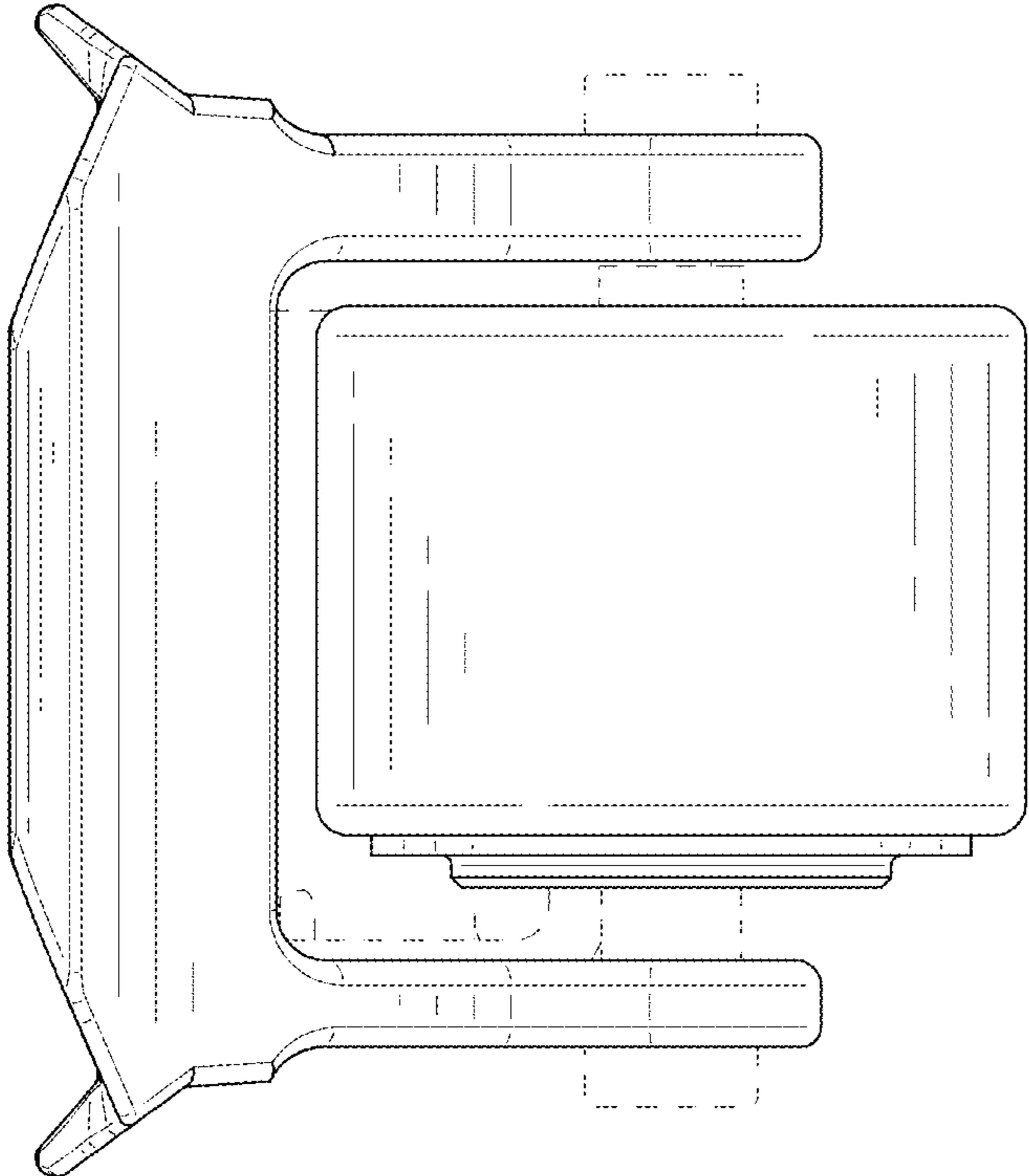


FIG. 6

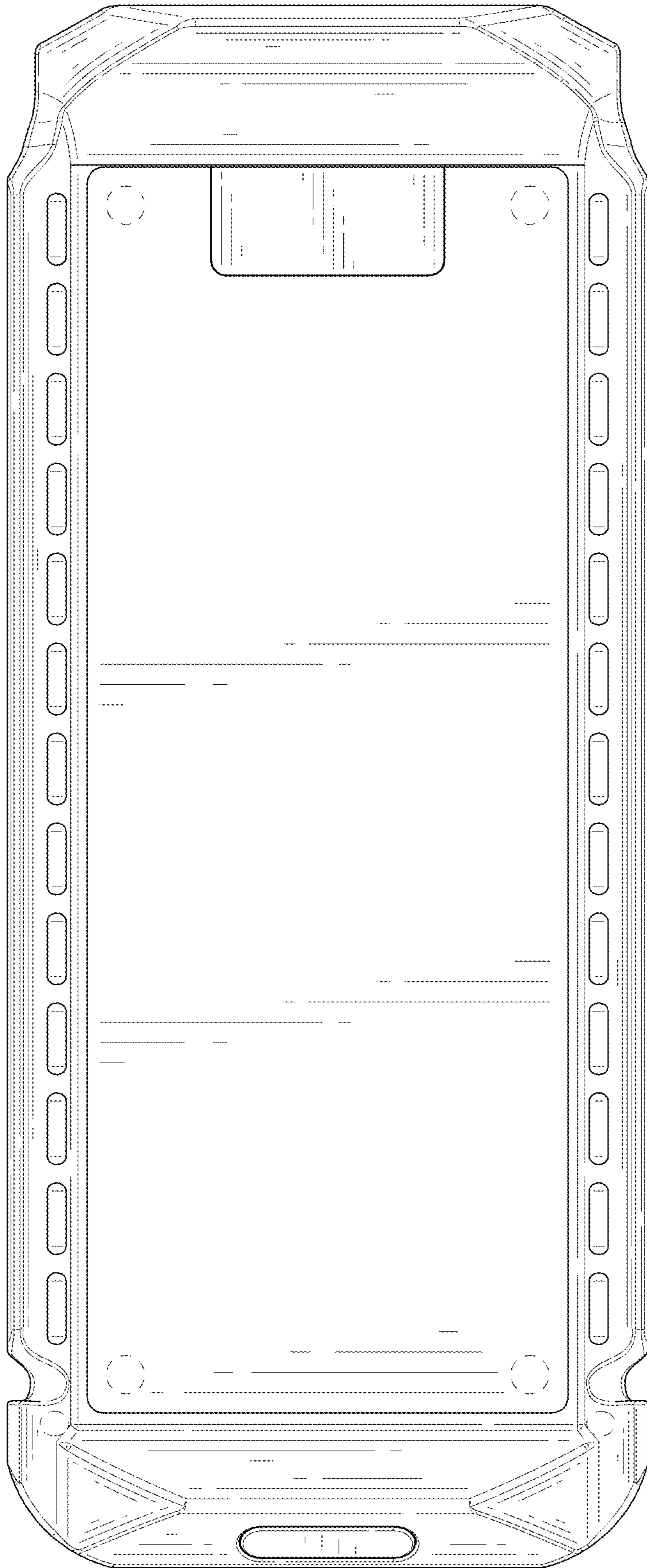


FIG. 7

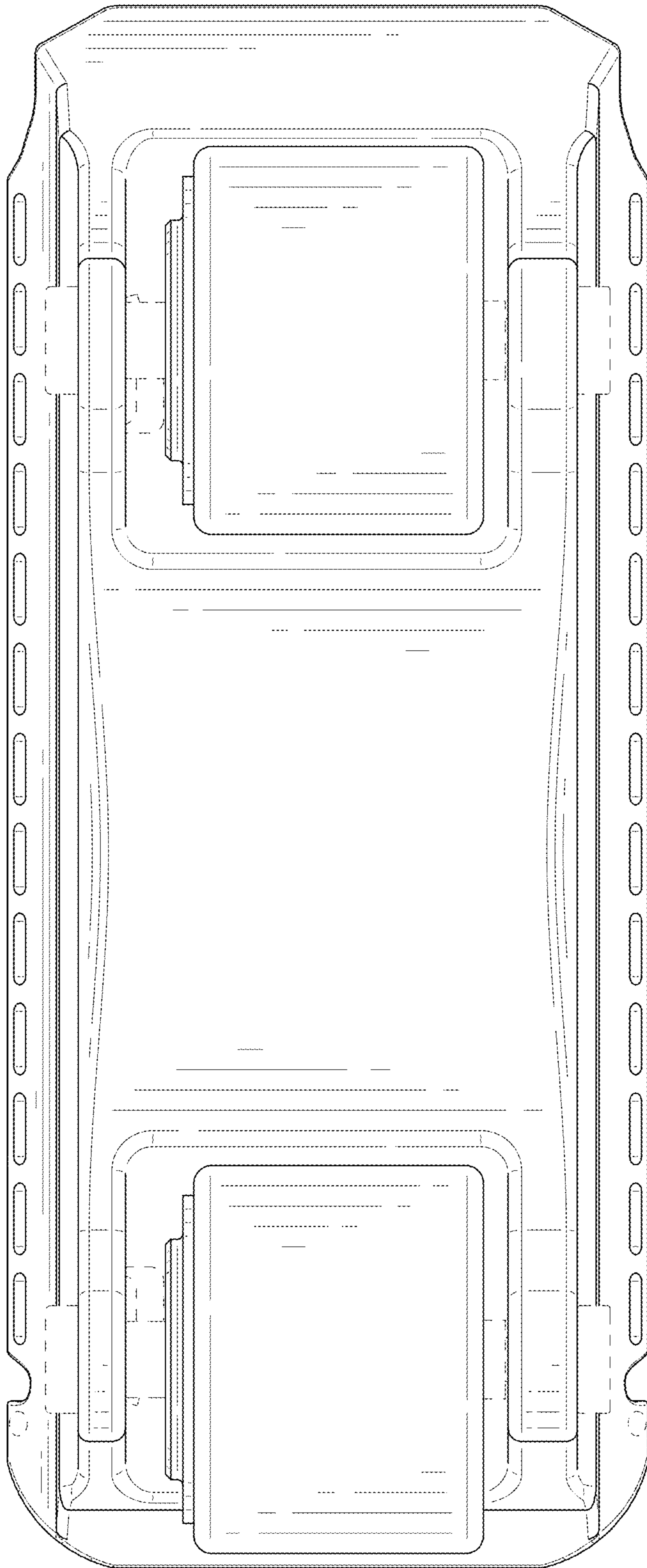


FIG. 8