



US00D896331S

(12) **United States Design Patent** (10) **Patent No.:** **US D896,331 S**
Biafore, Jr. (45) **Date of Patent:** **** Sep. 15, 2020**

(54) **GOLF PUTTER GRIP**

D534,604 S * 1/2007 Norton D21/756
D534,605 S * 1/2007 Norton D21/756
D534,606 S * 1/2007 Norton D21/756

(71) Applicant: **SSG International, LLC**, Wixom, MI (US)

(Continued)

(72) Inventor: **John J. Biafore, Jr.**, Grand Blanc, MI (US)

Primary Examiner — Mitchell I. Siegel

(74) *Attorney, Agent, or Firm* — Warner Norcross + Judd LLC

(73) Assignee: **SSG INTERNATIONAL, LLC**, Wixom, MI (US)

(57) **CLAIM**

The ornamental design for a golf putter grip, as shown and described.

(**) Term: **15 Years**

DESCRIPTION

(21) Appl. No.: **29/686,644**

(22) Filed: **Apr. 5, 2019**

(51) **LOC (12) Cl.** **21-02**

(52) **U.S. Cl.**
USPC **D21/756**

(58) **Field of Classification Search**
USPC D21/756-758
CPC A63B 60/06-60/34; A63B 60/00; A63B 60/46; A63B 59/20; A63B 59/40; A63B 59/60-59/80; A63B 49/00-49/14; A63B 53/00-53/14
See application file for complete search history.

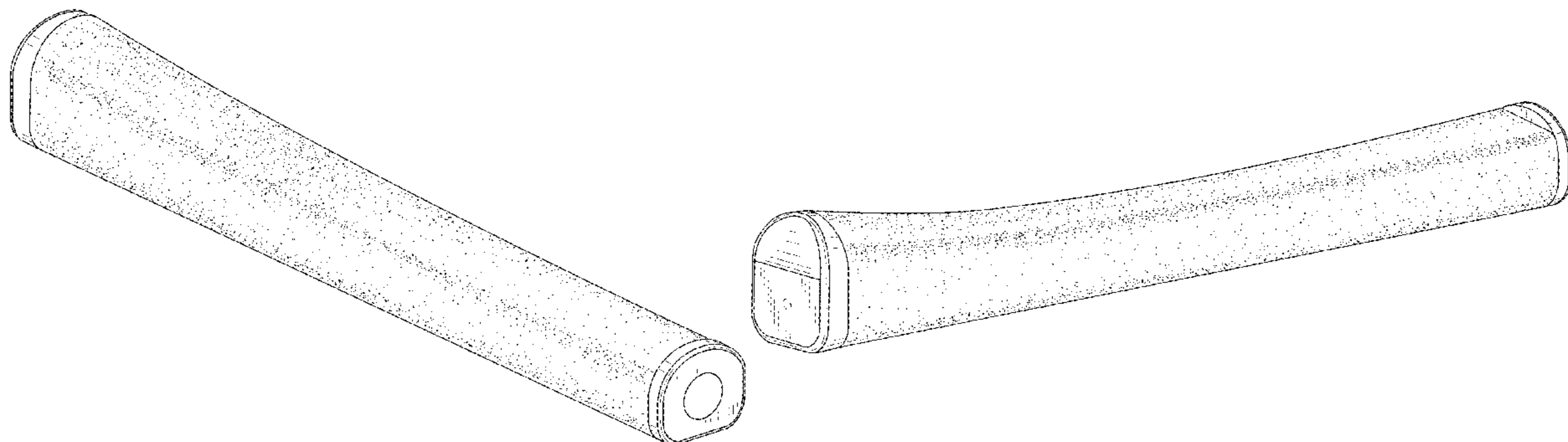
FIG. 1 is a first perspective view of a golf putter grip embodying the new design;
FIG. 2 is a second perspective view thereof;
FIG. 3 is a rear view thereof;
FIG. 4 is a front view thereof;
FIG. 5 is a left side view thereof, the right side view being a mirror image thereof;
FIG. 6 is a top view thereof;
FIG. 7 is a bottom view thereof;
FIG. 8 is a cross-sectional view taken along lines 8-8 of FIG. 5;
FIG. 9 is a cross-sectional view taken along lines 9-9 of FIG. 5;
FIG. 10 is a cross-sectional view taken along lines 10-10 of FIG. 5;
FIG. 11 is a cross-sectional view taken along lines 11-11 of FIG. 5;
FIG. 12 is a cross-sectional view taken along lines 12-12 of FIG. 5;
FIG. 13 is a cross-sectional view taken along lines 13-13 of FIG. 5; and,
FIG. 14 is a cross-sectional view taken along lines 14-14 of FIG. 5.
Broken lines in FIGS. 2 and 6-14 are included for the purpose of illustrating portions of the golf putter grip which form no part of the claimed design.

(56) **References Cited**

U.S. PATENT DOCUMENTS

2,218,268 A * 10/1940 Reid A63B 53/14 473/204
D295,207 S * 4/1988 Mahaffey D21/756
D325,614 S * 4/1992 Mermillod D21/756
5,460,372 A * 10/1995 Cook A63B 60/16 473/204
D399,282 S * 10/1998 Jarrett D21/756
D431,851 S * 10/2000 Anderson D21/756
D443,322 S * 6/2001 Henry D21/756
D512,758 S * 12/2005 Tuerschmann D21/756
D524,390 S * 7/2006 Tuerschmann D21/756
D534,602 S * 1/2007 Norton D21/756
D534,603 S * 1/2007 Norton D21/756

1 Claim, 5 Drawing Sheets



(56)

References Cited

U.S. PATENT DOCUMENTS

D534,607 S *	1/2007	Norton	D21/756	D595,379 S *	6/2009	Devaney	D21/756
D534,975 S *	1/2007	Norton	D21/756	D595,796 S *	7/2009	Devaney	D21/756
D538,868 S *	3/2007	Norton	D21/756	D597,622 S *	8/2009	Devaney	D21/756
D545,388 S *	6/2007	Chen	D21/756	D616,516 S *	5/2010	Chen	D21/756
D547,406 S *	7/2007	Noyes	D21/756	D631,118 S *	1/2011	Chen	D21/756
D548,808 S *	8/2007	Chen	D21/756	D634,803 S *	3/2011	Chen	D21/756
D554,723 S *	11/2007	Savasky	D21/756	D654,973 S *	2/2012	Marshall	D21/756
D554,724 S *	11/2007	Savasky	D21/756	D711,991 S *	8/2014	Laclede	D21/756
D556,847 S *	12/2007	DeVaney	D21/756	D733,236 S *	6/2015	Serrano	D21/756
D562,923 S *	2/2008	DeVaney	D21/756	D733,237 S *	6/2015	Serrano	D21/756
D590,465 S *	4/2009	Chen	D21/756	D738,973 S *	9/2015	Dingman	D21/756
D592,262 S *	5/2009	Devaney	D21/756	D765,806 S *	9/2016	Holder	D21/756
D592,263 S *	5/2009	Devaney	D21/756	D774,612 S *	12/2016	Dingman	D21/756
D592,264 S *	5/2009	Devaney	D21/756	D794,147 S *	8/2017	Davis	D21/756
D592,265 S *	5/2009	Devaney	D21/756	D796,609 S *	9/2017	Serrano	D21/756
D592,266 S *	5/2009	Devaney	D21/756	D818,065 S *	5/2018	Lin	D21/756
D592,267 S *	5/2009	Devaney	D21/756	D845,414 S *	4/2019	Clarke	D21/756
D595,378 S *	6/2009	Devaney	D21/756	D849,166 S *	5/2019	Dingman	D21/756
					2005/0215348 A1 *	9/2005	Baek	A63B 60/34 473/314

* cited by examiner

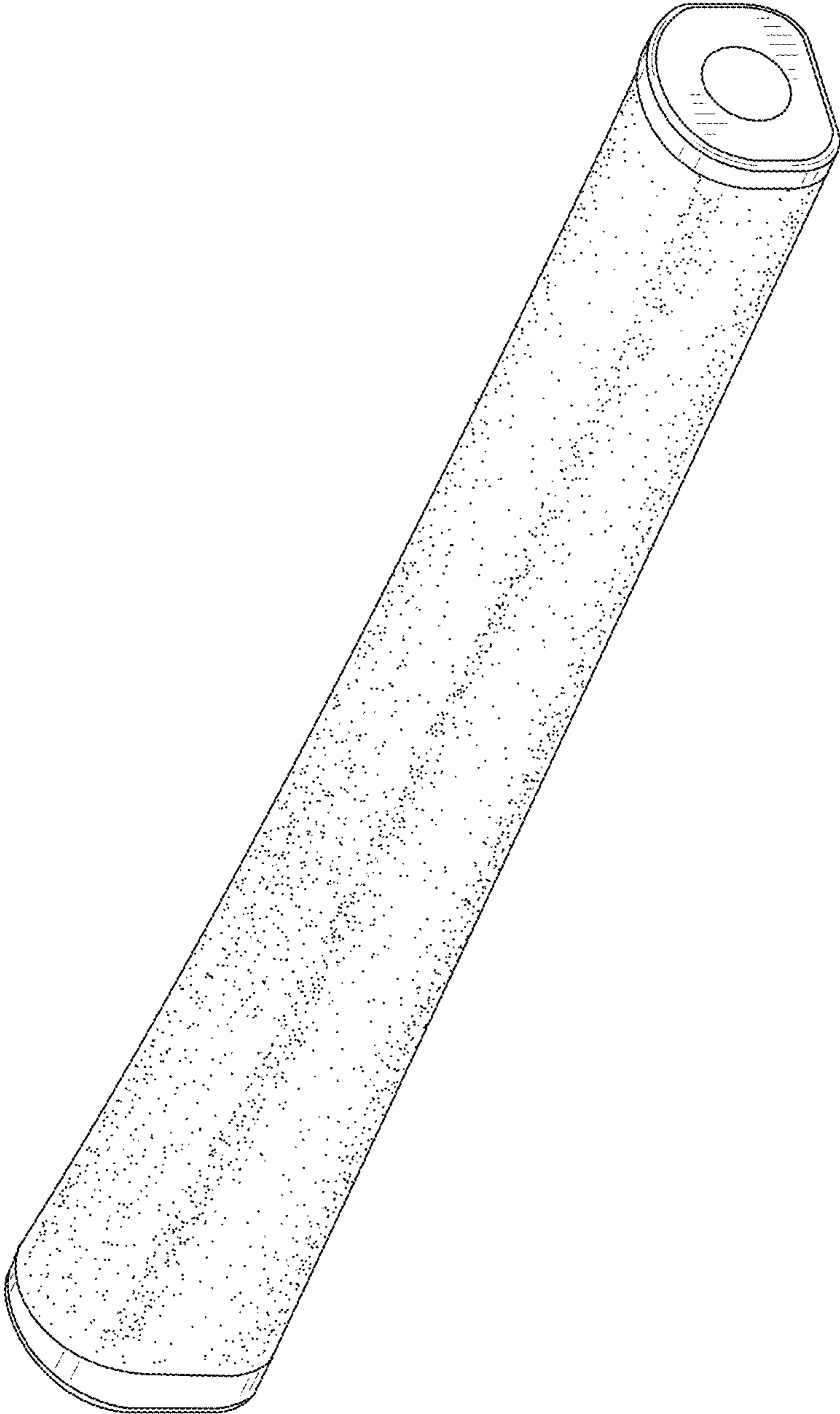


FIG. 1

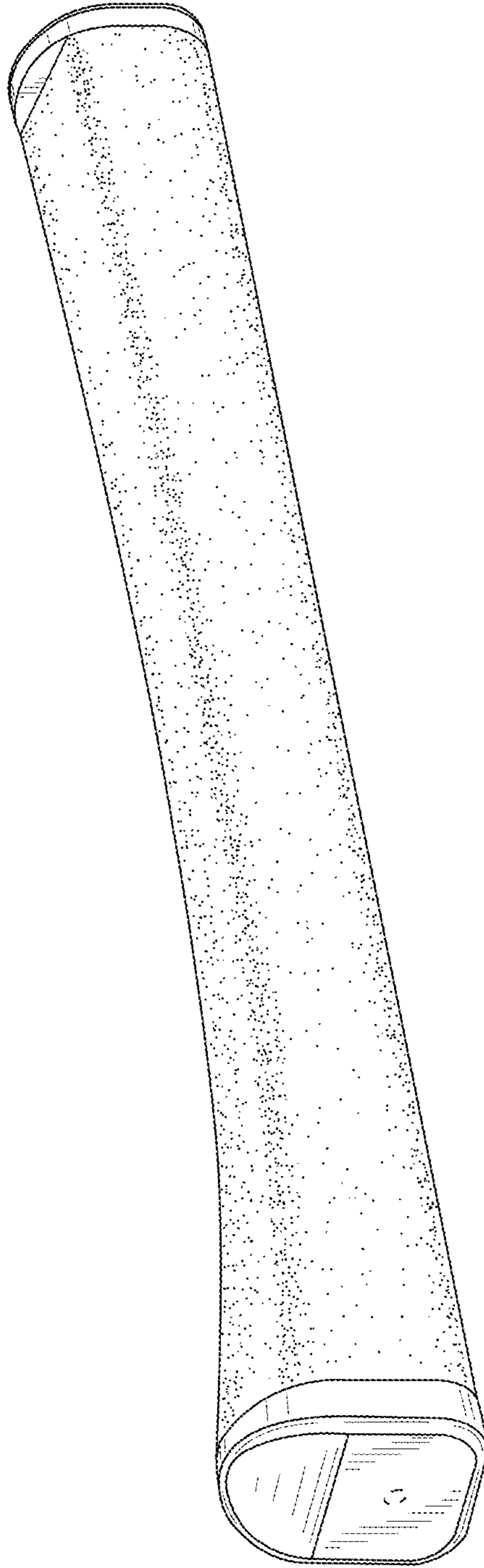


FIG. 2

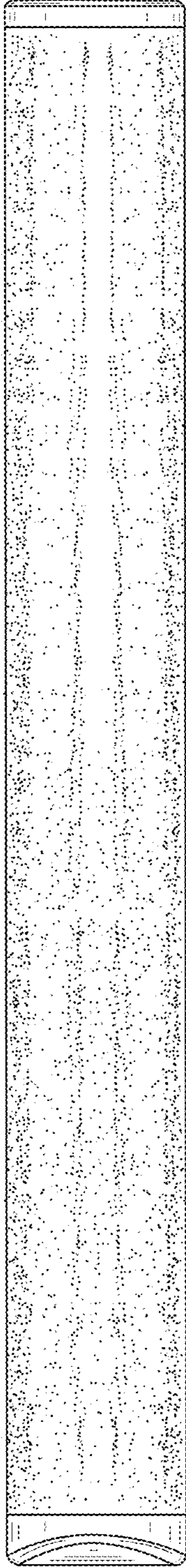


FIG. 3

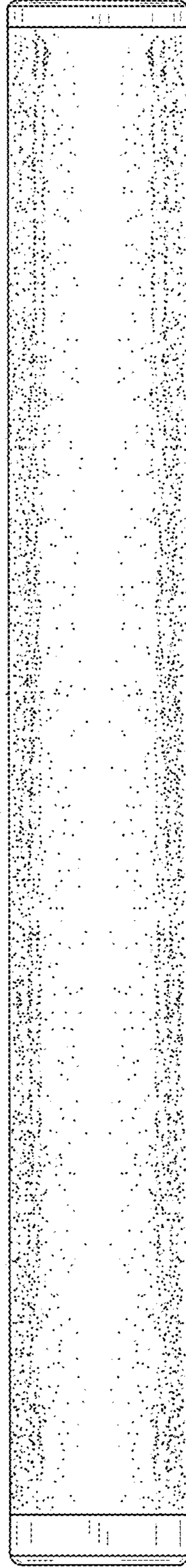


FIG. 4

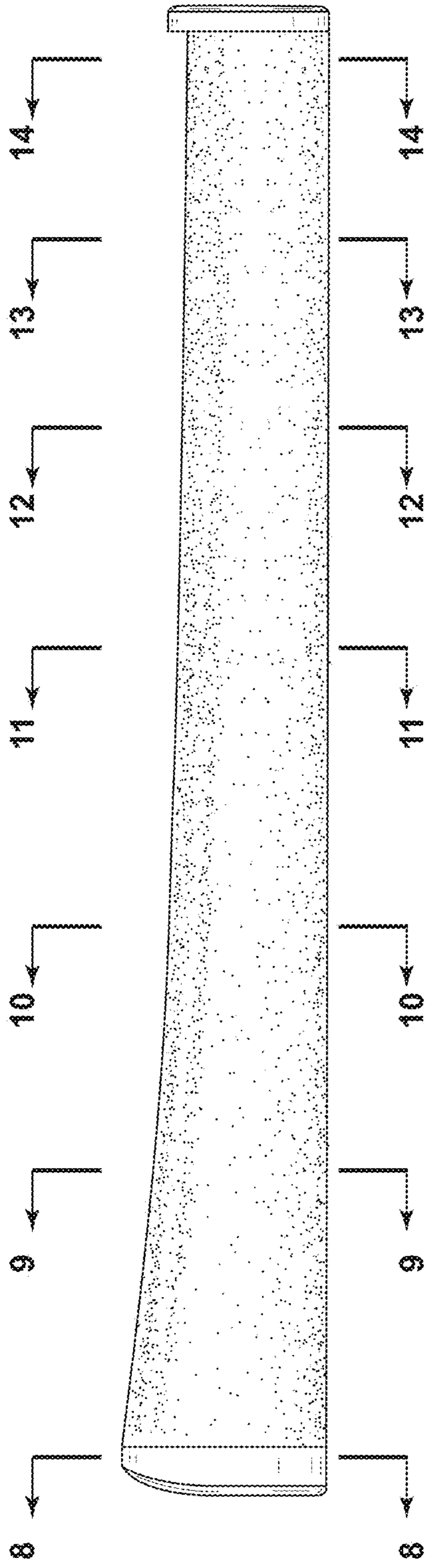


FIG. 5



FIG. 6

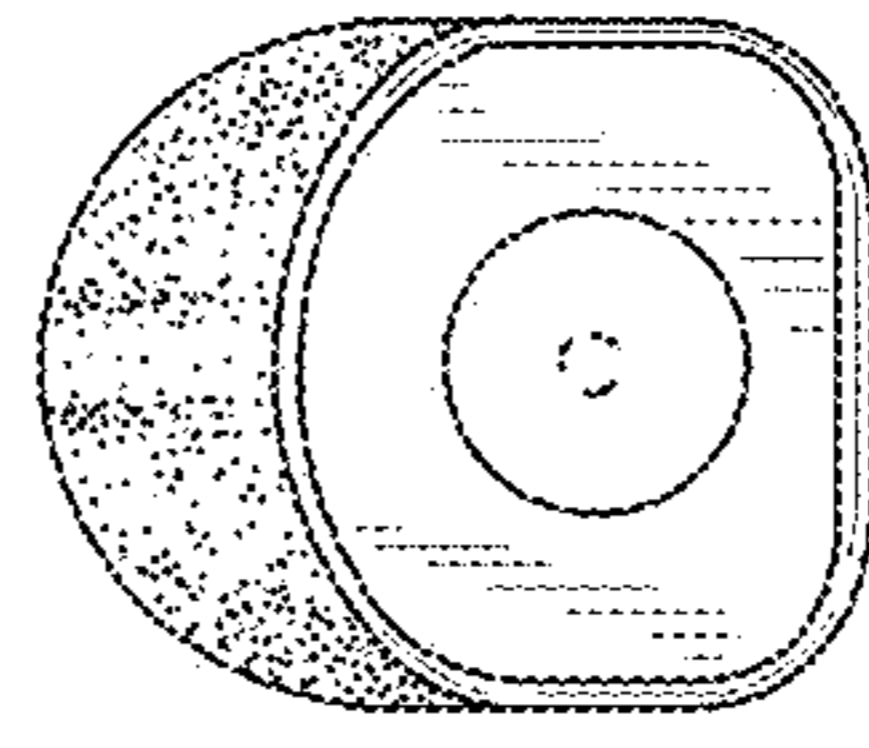


FIG. 7

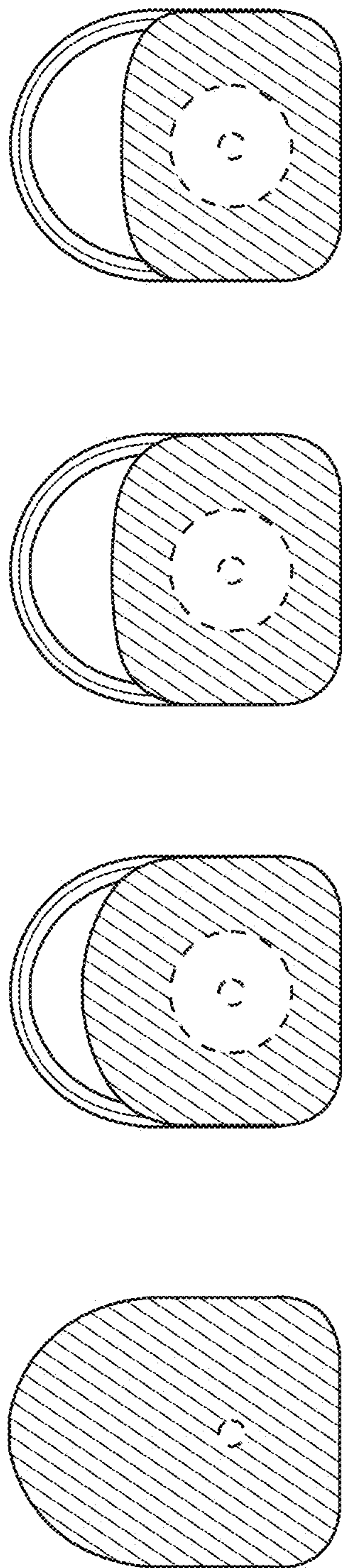


FIG. 8 **FIG. 9** **FIG. 10** **FIG. 11**

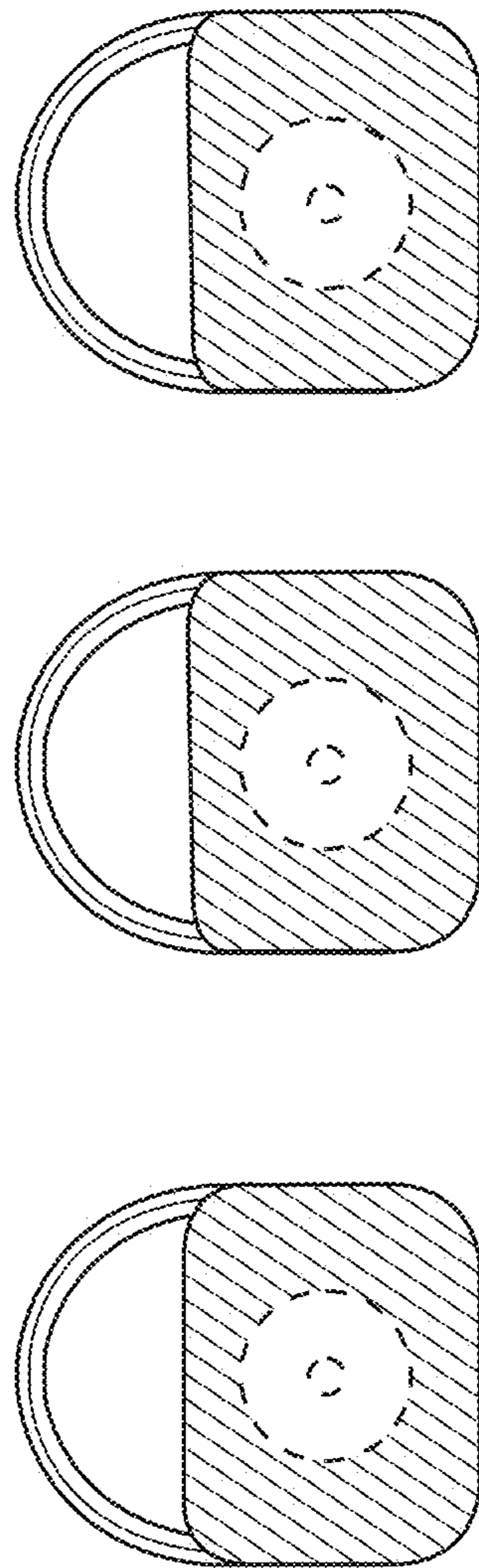


FIG. 12 **FIG. 13** **FIG. 14**