



US00D896329S

(12) **United States Design Patent**
Rollinson et al.

(10) **Patent No.:** **US D896,329 S**

(45) **Date of Patent:** **** Sep. 15, 2020**

(54) **PUTTER HEAD**

(71) Applicant: **Callaway Golf Company**, Carlsbad,
CA (US)

(72) Inventors: **Augustin W. Rollinson**, Solana Beach,
CA (US); **Sean Toulon**, Vista, CA (US)

(73) Assignee: **Callaway Golf Company**, Carlsbad,
CA (US)

(**) Term: **15 Years**

(21) Appl. No.: **29/694,177**

(22) Filed: **Jun. 7, 2019**

(51) **LOC (12) Cl.** **21-02**

(52) **U.S. Cl.**
USPC **D21/743**

(58) **Field of Classification Search**
USPC D21/736-746, 759
CPC A63B 53/00; A63B 53/04; A63B 53/007;
A63B 53/065; A63B 53/0487; A63B
60/00; A63B 60/46
See application file for complete search history.

(56) **References Cited**

U.S. PATENT DOCUMENTS

D213,509 S *	3/1969	Solheim	D21/743
D231,375 S *	4/1974	Solheim	D21/742
D235,465 S *	6/1975	Vella	D21/736
D306,630 S *	3/1990	Dinte	D21/743

D356,132 S *	3/1995	Ackerman	D21/743
D408,064 S *	4/1999	Slucker	D21/736
D427,262 S *	6/2000	Frazetta	D21/743
D443,905 S *	6/2001	Nicolette	D21/743
D463,517 S *	9/2002	Ngon	D21/736
D472,949 S *	4/2003	Serrano	D21/736
D486,194 S *	2/2004	Helmstetter	D21/743
D592,719 S *	5/2009	Hettinger	D21/743
D596,683 S *	7/2009	Hettinger	D21/746
D667,906 S *	9/2012	Butler	D21/743
D857,819 S *	8/2019	Wang	D21/743

* cited by examiner

Primary Examiner — Mitchell I. Siegel

(74) *Attorney, Agent, or Firm* — Rebecca Hanovice;
Michael Catania; Sonia Lari

(57) **CLAIM**

The ornamental design for a putter head, as shown and described.

DESCRIPTION

FIG. 1 is a rear perspective view of the putter head claimed herein;

FIG. 2 is a rear elevational view thereof;

FIG. 3 is a front elevational view thereof;

FIG. 4 is a right side elevational view thereof;

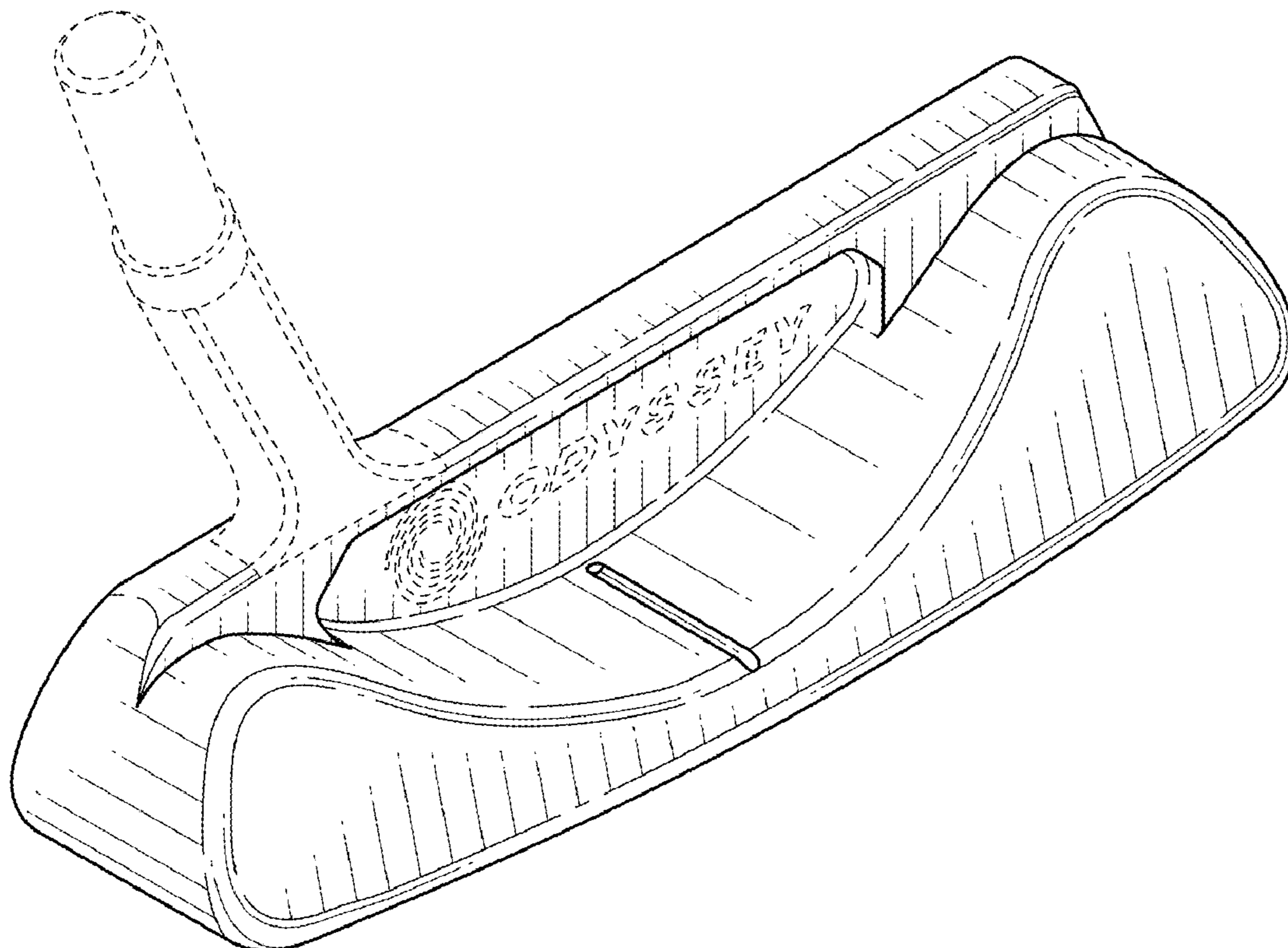
FIG. 5 is a left side elevational view thereof;

FIG. 6 is a top plan view thereof; and,

FIG. 7 is a bottom plan view thereof.

The broken lines are included for the purpose of illustration and form no part of the claimed design.

1 Claim, 4 Drawing Sheets



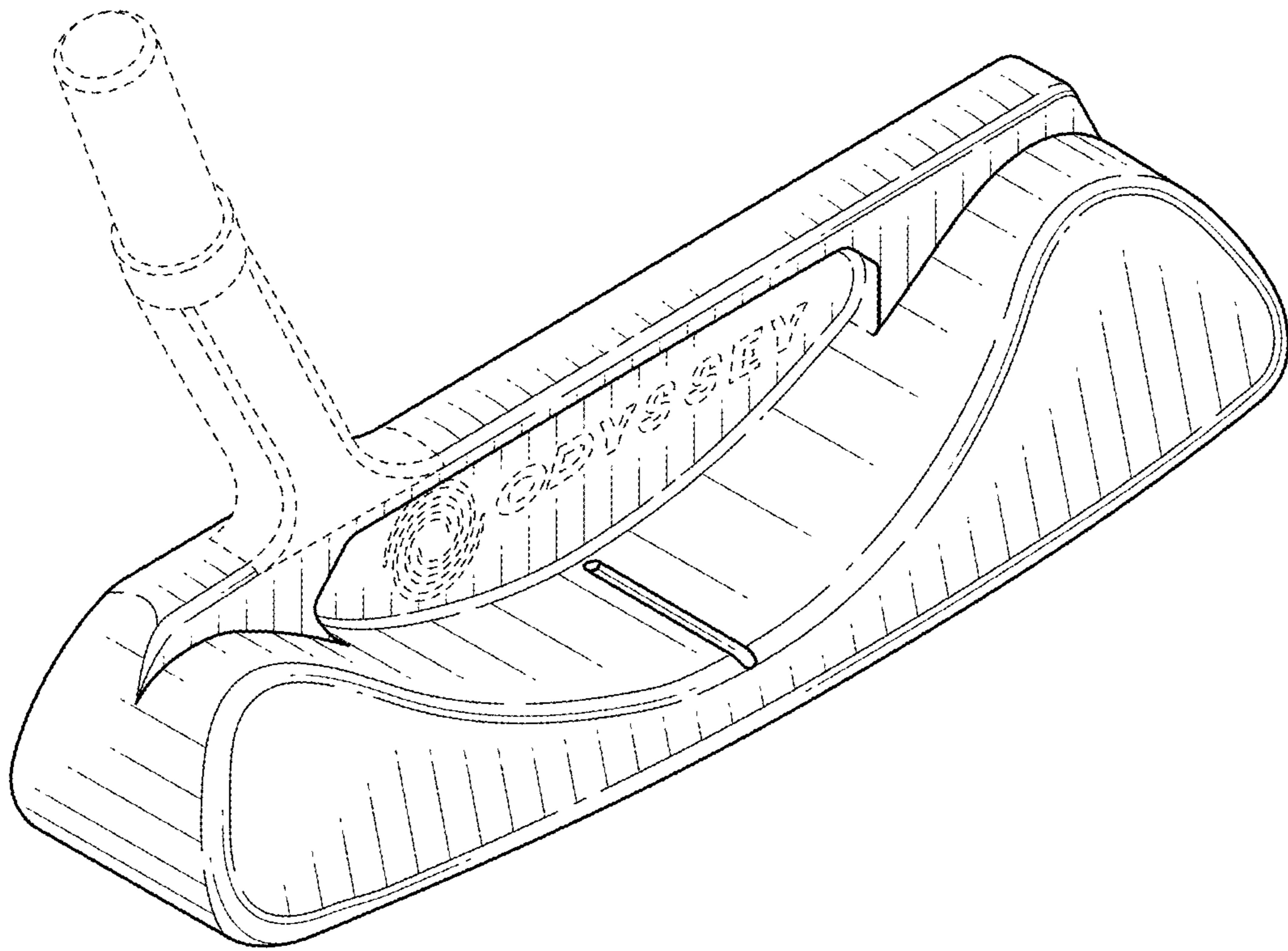


FIG. 1

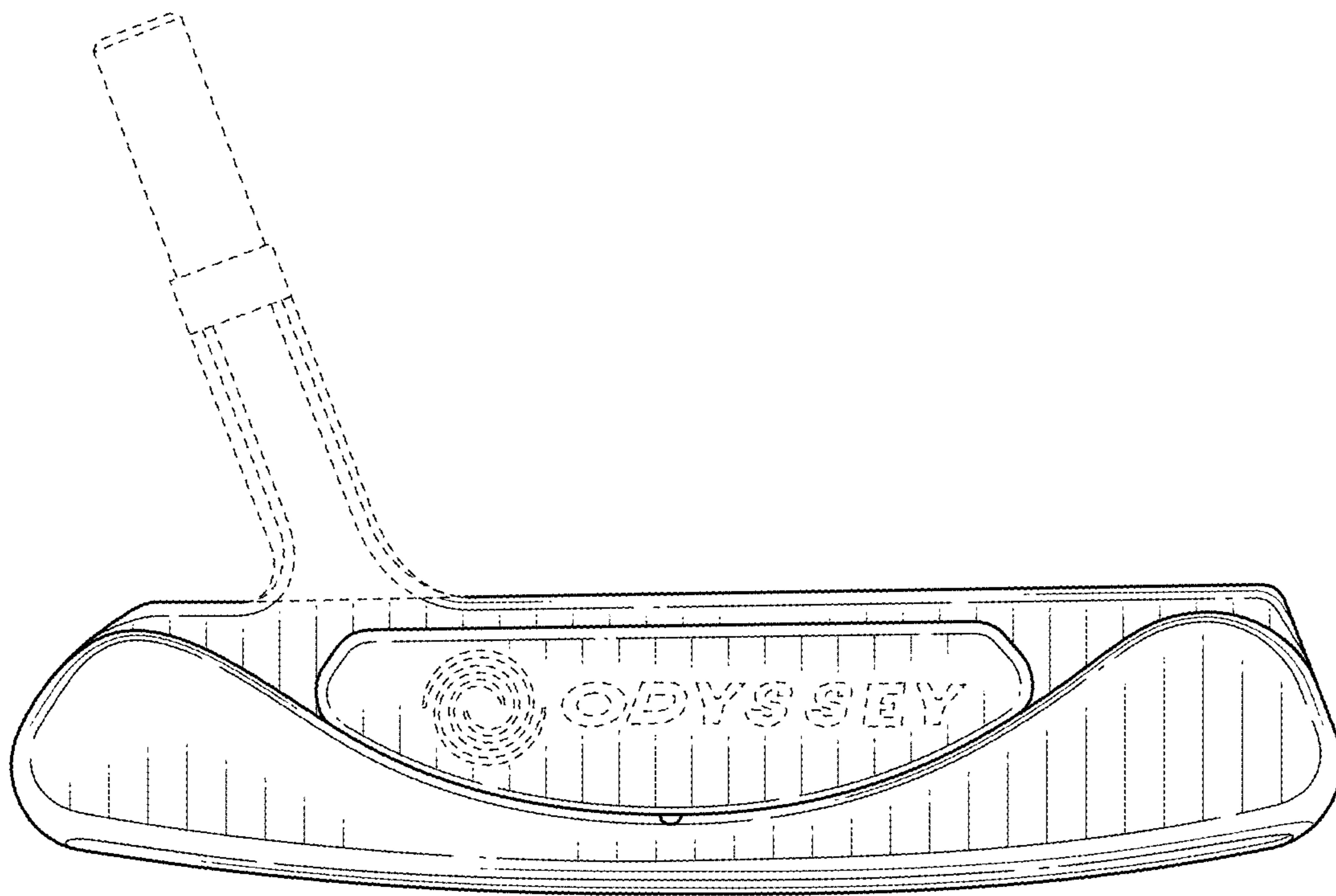


FIG. 2

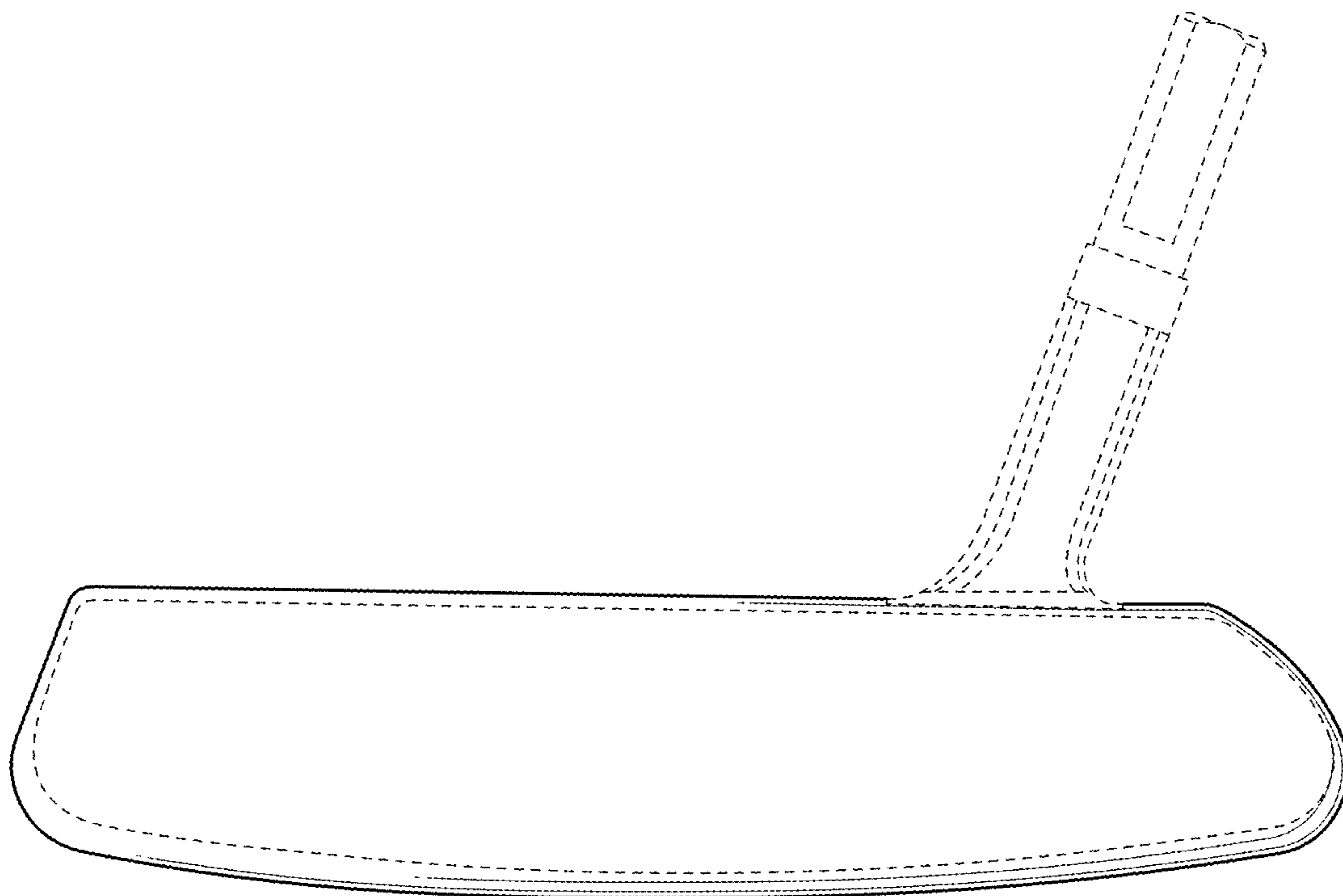


FIG. 3

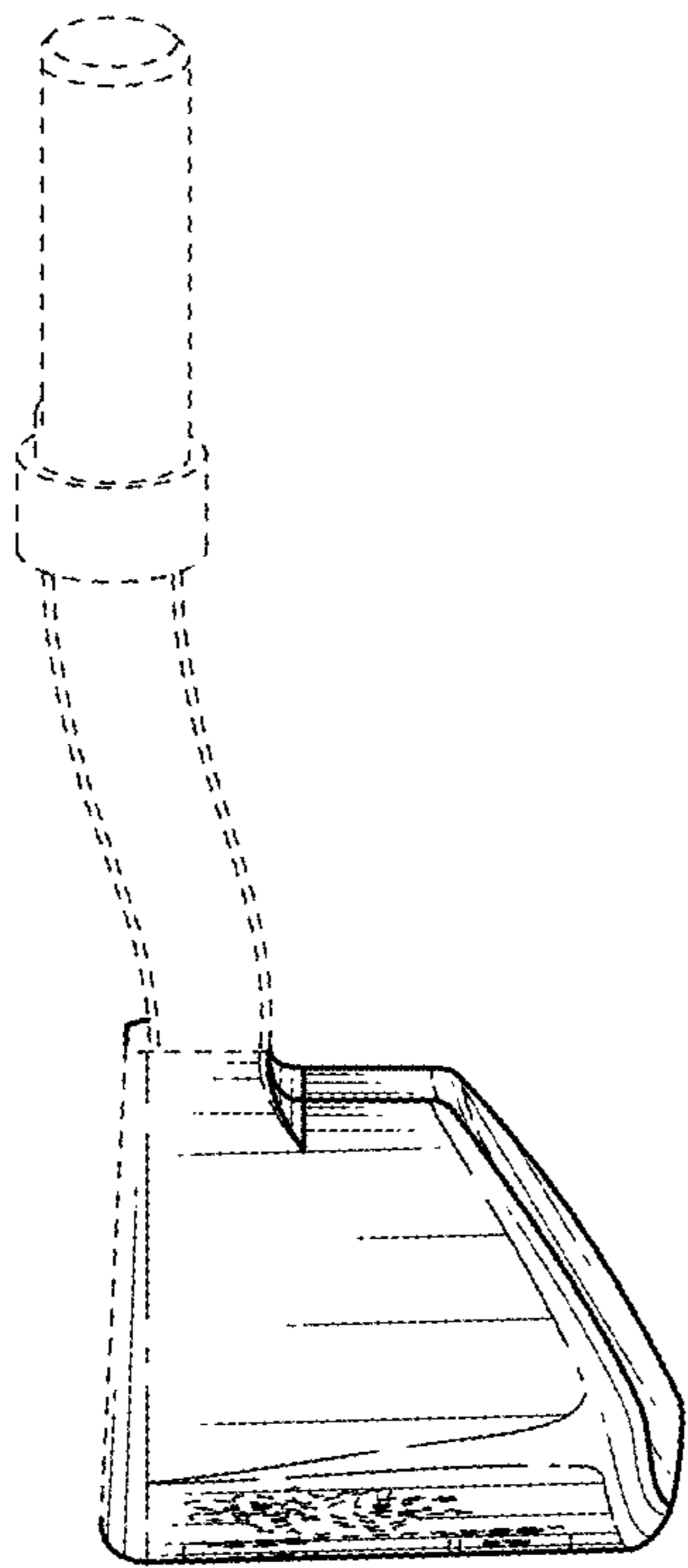


FIG. 4

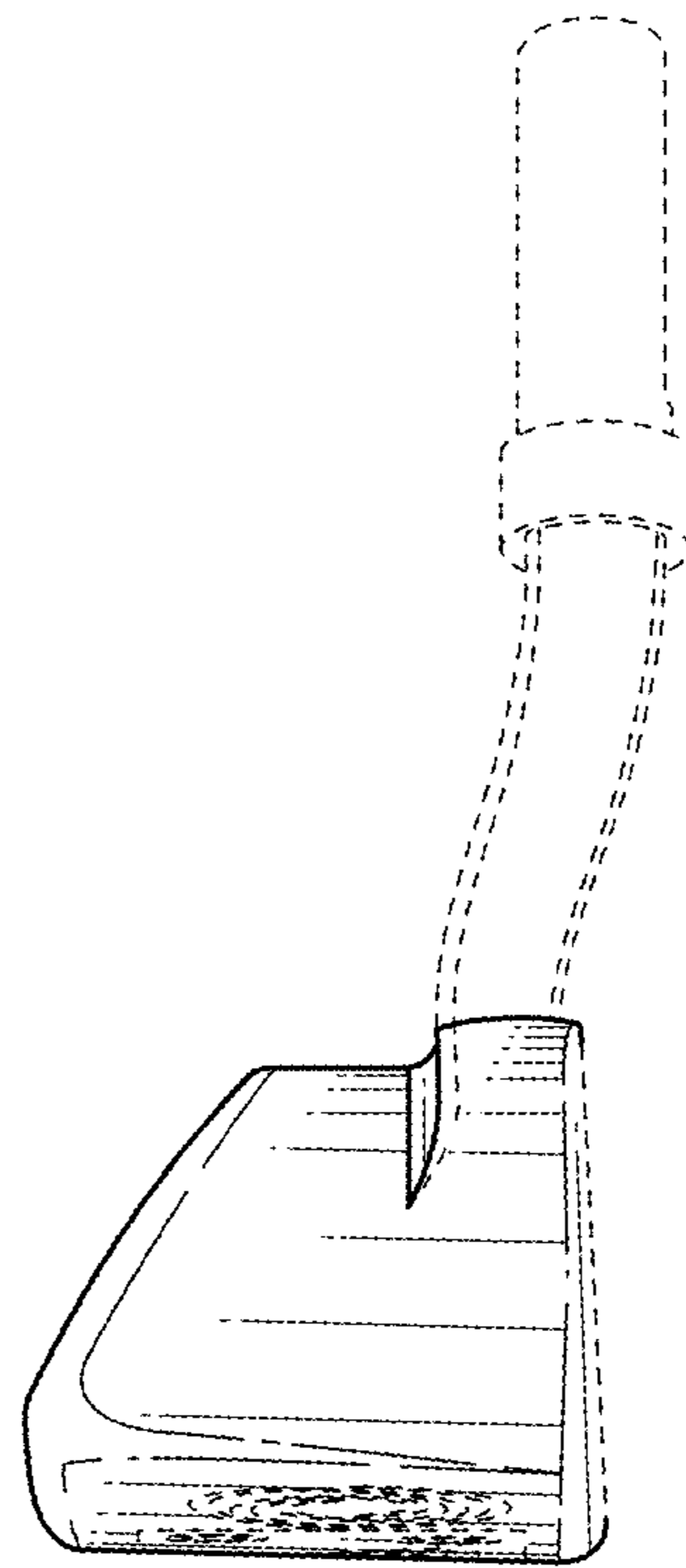


FIG. 5

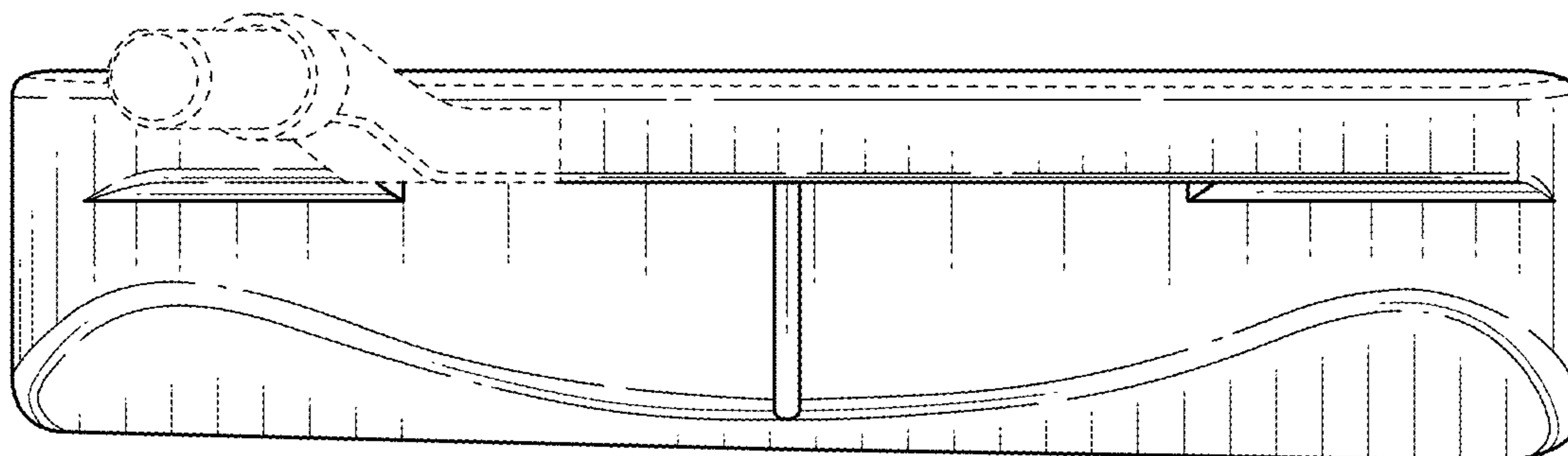


FIG. 6

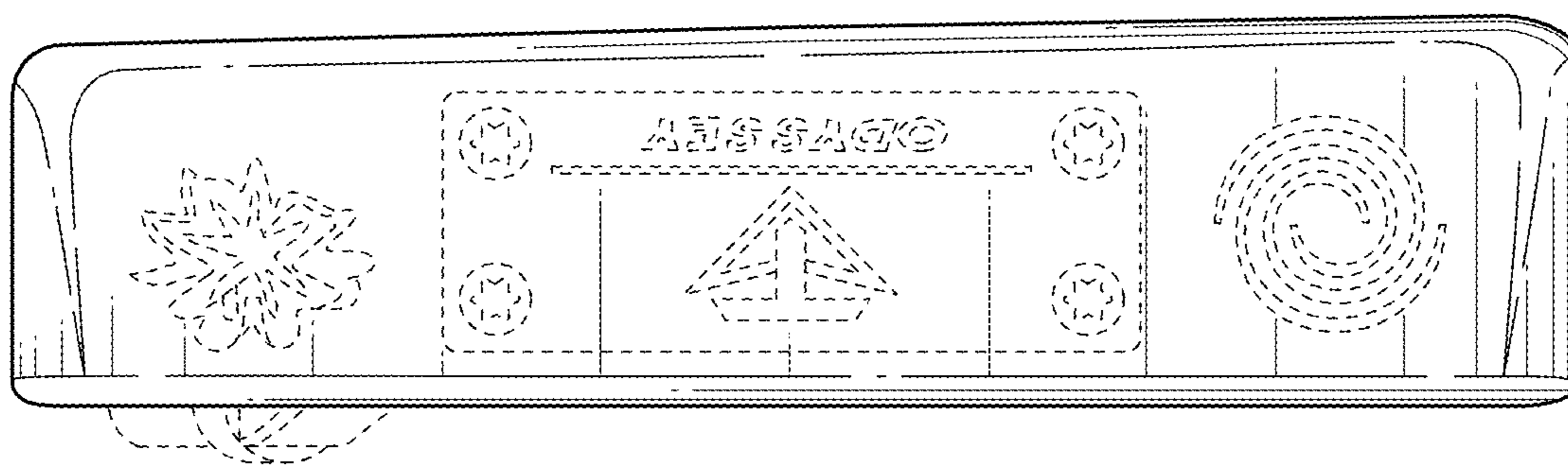


FIG. 7