

US00D896328S

(12) **United States Design Patent** (10) **Patent No.:** **US D896,328 S**
Clarke et al. (45) **Date of Patent:** **** Sep. 15, 2020**

(54) **GOLF CLUB HEAD**

FOREIGN PATENT DOCUMENTS

(71) Applicant: **KARSTEN MANUFACTURING CORPORATION**, Phoenix, AZ (US)

JP 3169560 8/2011

(72) Inventors: **Jacob T. Clarke**, Phoenix, AZ (US);
David A. Higdon, Cave Creek, AZ (US)

OTHER PUBLICATIONS

Unknown, "Golf Digest," Golf Digest May 2009, vol. 60, Issue 6, p. 68.

(Continued)

(73) Assignee: **Karsten Manufacturing Corporation**, Phoenix, AZ (US)

Primary Examiner — Mitchell I. Siegel

(**) Term: **15 Years**

(57) **CLAIM**

The ornamental design for a golf club head, as shown and described.

(21) Appl. No.: **29/683,322**

DESCRIPTION

(22) Filed: **Mar. 12, 2019**

(51) **LOC (12) Cl.** **21-02**

(52) **U.S. Cl.**

USPC **D21/743**

(58) **Field of Classification Search**

USPC D21/736-746, 759

CPC A63B 53/00; A63B 53/04; A63B 53/007;

A63B 53/065; A63B 53/0487; A63B

60/00; A63B 60/46

See application file for complete search history.

FIG. 1 is a top perspective view of a golf club head;
FIG. 2 is a bottom perspective view of the golf club head of FIG. 1;
FIG. 3 is a top view of the golf club head of FIG. 1;
FIG. 4 is a bottom view of the golf club head of FIG. 1;
FIG. 5 is a front view of the golf club head of FIG. 1;
FIG. 6 is a rear view of the golf club head of FIG. 1;
FIG. 7 is a heel side view of the golf club head of FIG. 1;
FIG. 8 is a toe side view of the golf club head of FIG. 1;
FIG. 9 is a top perspective view of another embodiment of a golf club head;
FIG. 10 is a bottom perspective view of the golf club head of FIG. 9;
FIG. 11 is a top view of the golf club head of FIG. 9;
FIG. 12 is a bottom view of the golf club head of FIG. 9;
FIG. 13 is a front view of the golf club head of FIG. 9;
FIG. 14 is a rear view of the golf club head of FIG. 9;
FIG. 15 is a heel side view of the golf club head of FIG. 9;
and,
FIG. 16 is a toe side view of the golf club head of FIG. 9.
The broken line showing is included for the purpose of illustrating unclaimed subject matter and forms no part of the claimed design.

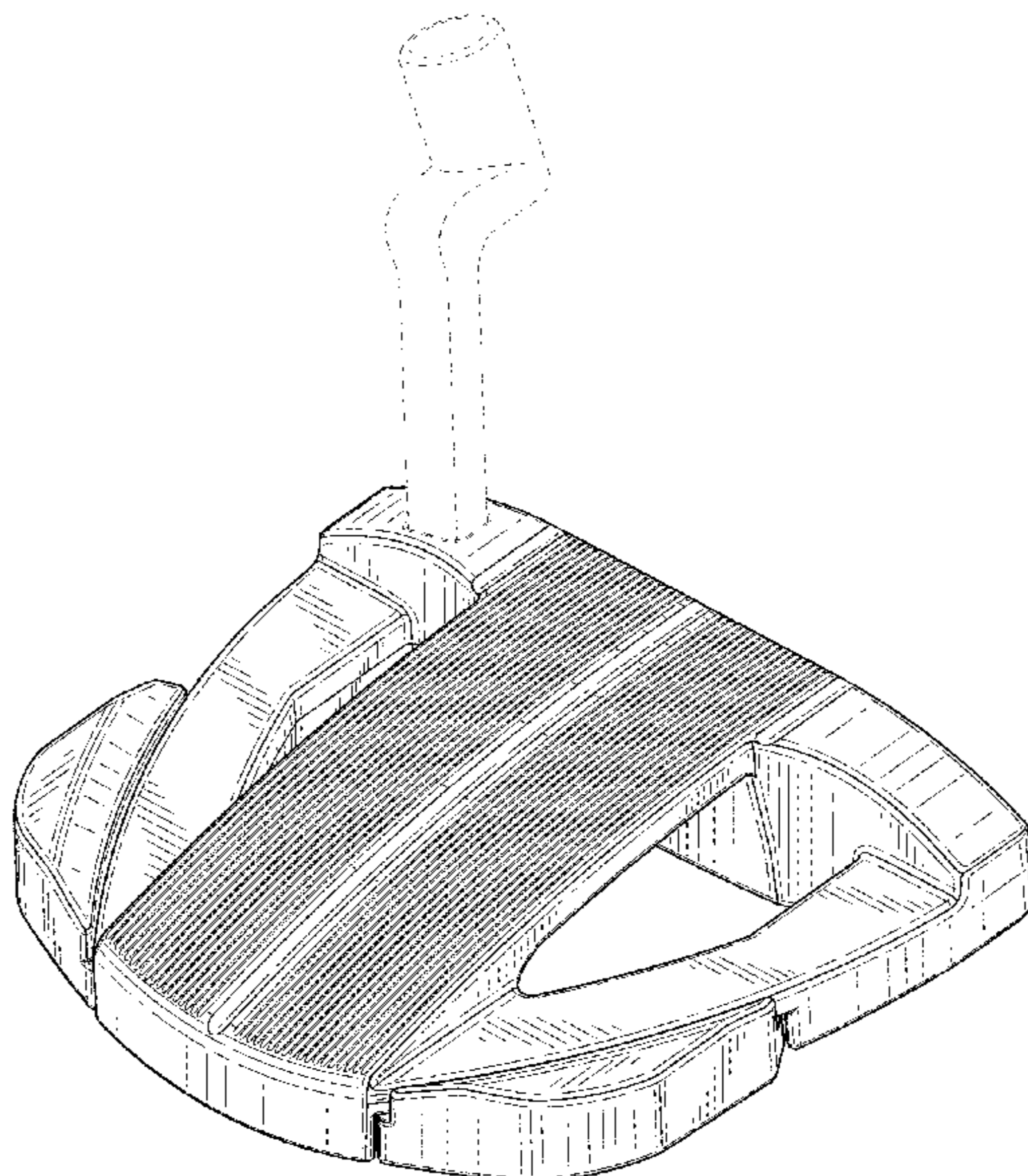
(56) **References Cited**

U.S. PATENT DOCUMENTS

3,884,477 A 5/1975 Bianco
D235,668 S 7/1975 Swash
4,030,766 A 6/1977 Derr
D316,129 S 4/1991 Bryson
6,159,108 A 12/2000 De La Pena
6,379,259 B1 4/2002 Opie
D488,200 S 4/2004 Olsavsky et al.
D488,526 S 4/2004 Souza
D500,109 S 12/2004 Solheim
D500,110 S 12/2004 Solheim

(Continued)

1 Claim, 16 Drawing Sheets



(56)

References Cited

U.S. PATENT DOCUMENTS

6,837,801 B1 1/2005 Souza
 D502,236 S 2/2005 Grace
 6,878,071 B1 4/2005 Schweigert
 6,893,355 B2 5/2005 Souza
 6,896,625 B2 5/2005 Grace
 6,902,496 B2 6/2005 Solheim
 D507,612 S 7/2005 Souza
 6,926,615 B1 8/2005 Souza
 6,960,140 B2 11/2005 Solheim
 6,966,845 B2 11/2005 Solheim
 D513,776 S 1/2006 Grace
 D520,584 S 5/2006 Karlson
 D521,582 S 5/2006 Souza
 7,048,646 B2 5/2006 Yamanaka et al.
 7,052,411 B2 5/2006 Solheim
 D522,598 S 6/2006 Solheim
 7,077,758 B2 7/2006 Rohrer
 D526,376 S 8/2006 Grace
 7,086,957 B2 8/2006 Solheim
 D527,777 S 9/2006 Solheim
 D528,177 S 9/2006 Grace
 D528,616 S 9/2006 Grace
 D529,108 S 9/2006 Stites
 D533,243 S 12/2006 Fife, Jr.
 7,163,469 B2 1/2007 Bonneau
 7,235,021 B2 6/2007 Solheim
 D548,295 S 8/2007 Jertson
 7,255,650 B2 8/2007 Bryant
 D552,197 S 10/2007 Wells et al.
 D557,361 S * 12/2007 Rollinson D21/743
 D565,137 S 3/2008 Oldknow
 7,354,356 B2 4/2008 Yamanaka et al.
 D569,462 S * 5/2008 Rollinson D21/744
 7,374,497 B2 5/2008 Brown
 D575,366 S * 8/2008 Rollinson D21/744
 7,438,648 B2 10/2008 Wahl et al.
 D581,473 S 11/2008 Thomas
 D583,003 S 12/2008 Solheim
 D587,325 S 2/2009 Solheim
 D594,073 S 6/2009 Kadoya
 D595,793 S * 7/2009 Rollinson D21/736
 D600,760 S 9/2009 Serrano
 D600,761 S 9/2009 Solheim
 D600,762 S 9/2009 Serrano
 7,601,076 B2 10/2009 Rollinson
 D607,950 S 1/2010 Souza
 D621,458 S 8/2010 Serrano
 D621,460 S 8/2010 Serrano
 D621,461 S 8/2010 Serrano
 D621,462 S 8/2010 Serrano
 D621,891 S 8/2010 Serrano
 D623,710 S * 9/2010 Hilton A63B 53/0487
 D21/743
 7,803,066 B2 9/2010 Solheim
 D625,764 S 10/2010 Hilton et al.

7,815,520 B2 10/2010 Frame et al.
 D638,891 S 5/2011 Nicolette
 D643,080 S 8/2011 Serrano
 D643,485 S * 8/2011 Nicolette D21/736
 D643,486 S 8/2011 Serrano
 D643,487 S 8/2011 Serrano
 7,993,215 B1 8/2011 Rentz
 D632,748 S 9/2011 Serrano et al.
 D645,104 S 9/2011 Nicolette et al.
 8,100,779 B2 1/2012 Solheim
 D653,718 S 2/2012 Stokke
 8,109,838 B2 2/2012 Solheim
 D664,617 S 7/2012 Serrano
 8,641,556 B2 2/2014 Kuan et al.
 D715,388 S 10/2014 Serrano
 9,144,717 B2 9/2015 Franklin et al.
 D750,186 S * 2/2016 Schweigert D21/746
 D774,607 S * 12/2016 Serrano D21/743
 D783,101 S * 4/2017 Schweigert D21/736
 9,694,259 B2 7/2017 Trahan et al.
 D793,502 S * 8/2017 Cardani D21/743
 D801,458 S * 10/2017 Rollinson D21/742
 9,782,645 B2 10/2017 Dolezel
 D824,462 S * 7/2018 Bruschi D21/736
 10,029,160 B2 7/2018 Stites et al.
 D827,064 S * 8/2018 Wypych D21/743
 10,124,221 B2 * 11/2018 Parsons A63B 53/0487
 D837,911 S * 1/2019 Bruschi D21/736
 D842,952 S * 3/2019 Schweigert D21/743
 D848,562 S * 5/2019 Nicolette D21/736
 D852,911 S * 7/2019 Wang D21/744
 D859,545 S * 9/2019 Long D21/736
 D861,092 S * 9/2019 Glorioso D21/743
 D864,325 S * 10/2019 Rollinson D21/743
 D877,831 S * 3/2020 Cameron D21/736
 2006/0094533 A1 5/2006 Warren et al.
 2007/0191135 A1 8/2007 Nilsson et al.
 2007/0293346 A1 12/2007 Rollinson et al.
 2010/0227704 A1 9/2010 Souza et al.

OTHER PUBLICATIONS

Unknown, "Golf Digest," Golf Digest May 2009, vol. 69, Issue 9, p. 27.
http://www.sportsauthority.com/largeImage/index.jsp?LargeImageURL=http%3A//TSA.imageg.net/graphics/product_images/p7276001dt.jpg, "4006394", Published Aug. 2, 2010, Accessed Aug. 2, 2010.
<https://www.pwg.com/en-us/clubs/putters/operator>, Operator Putter—Designed to be Finely Tuned for an Individual's Stroke, Published Jul. 9, 2018, Accessed Jul. 9, 2018.
 Stina Sternberg, "Hot List 2008—Putters," Golf Digest Feb. 2008 at 158-169 also available at <http://golfdigest.com/equipment/ratings>, CraZ-E.
 Stina Sternberg, "Hot List 2008—Putters," Golf Digest Feb. 2008 at 158-169 also available at <http://golfdigest.com/equipment/ratings>, Profound Putter.

* cited by examiner

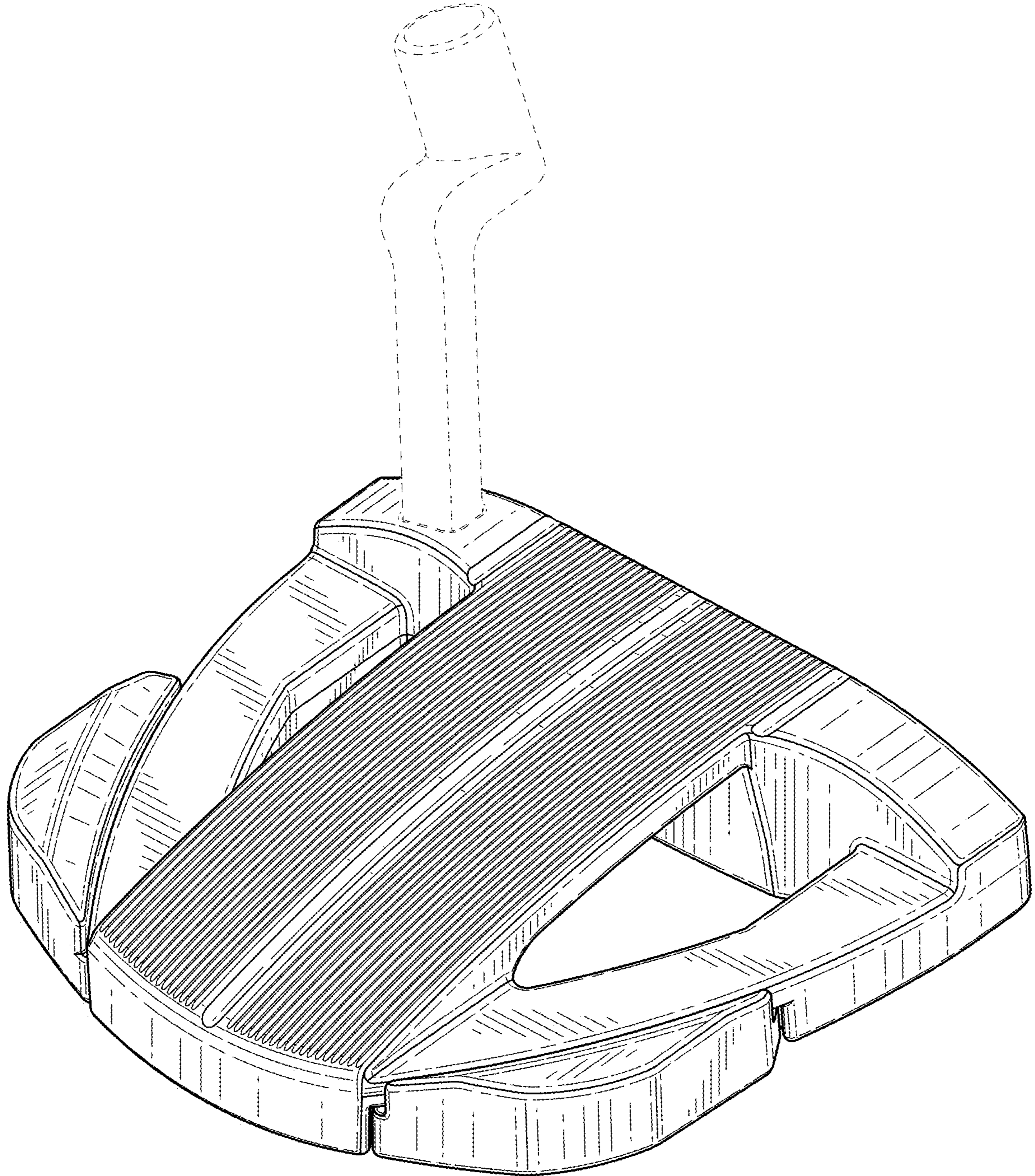


FIG. 1

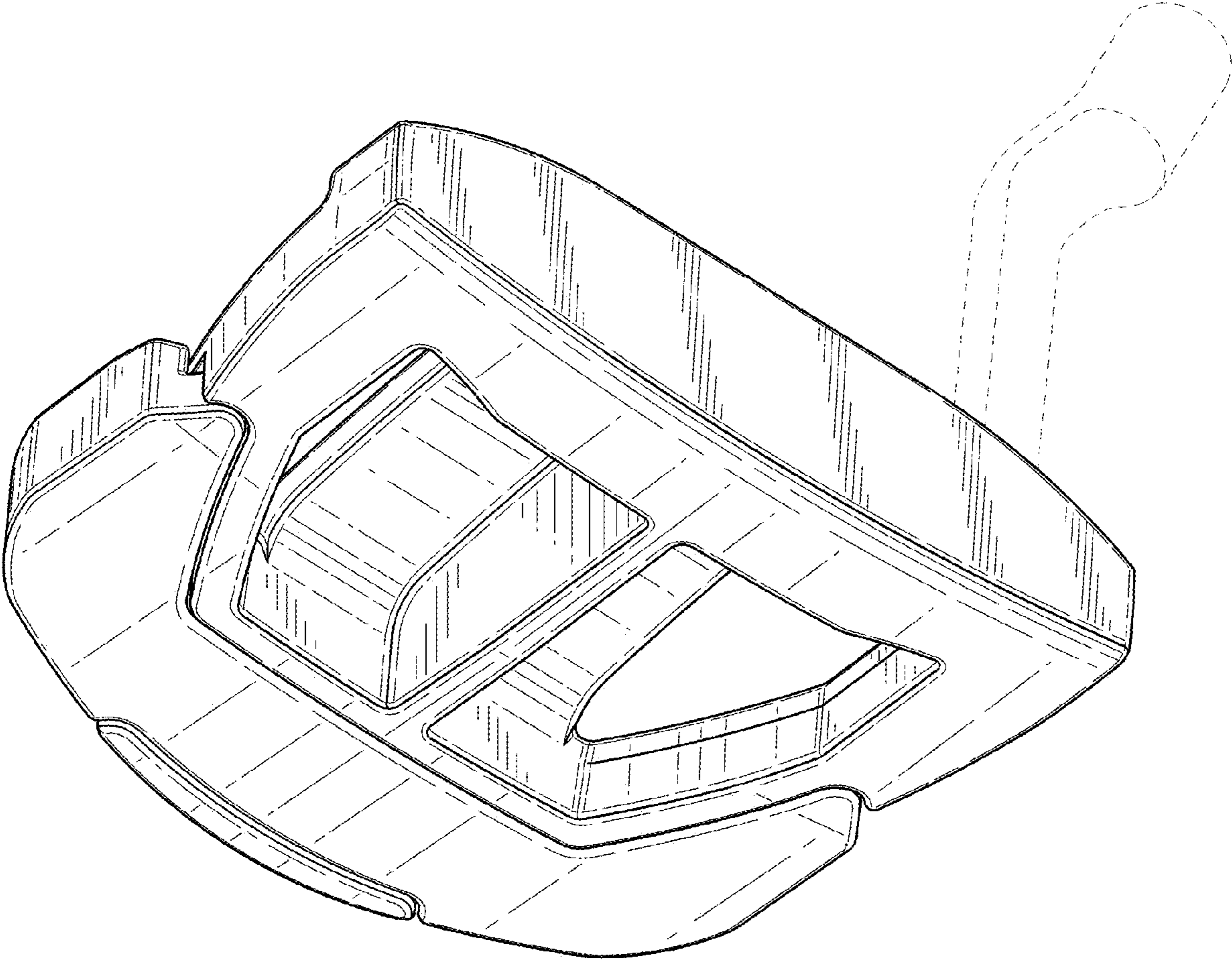


FIG. 2

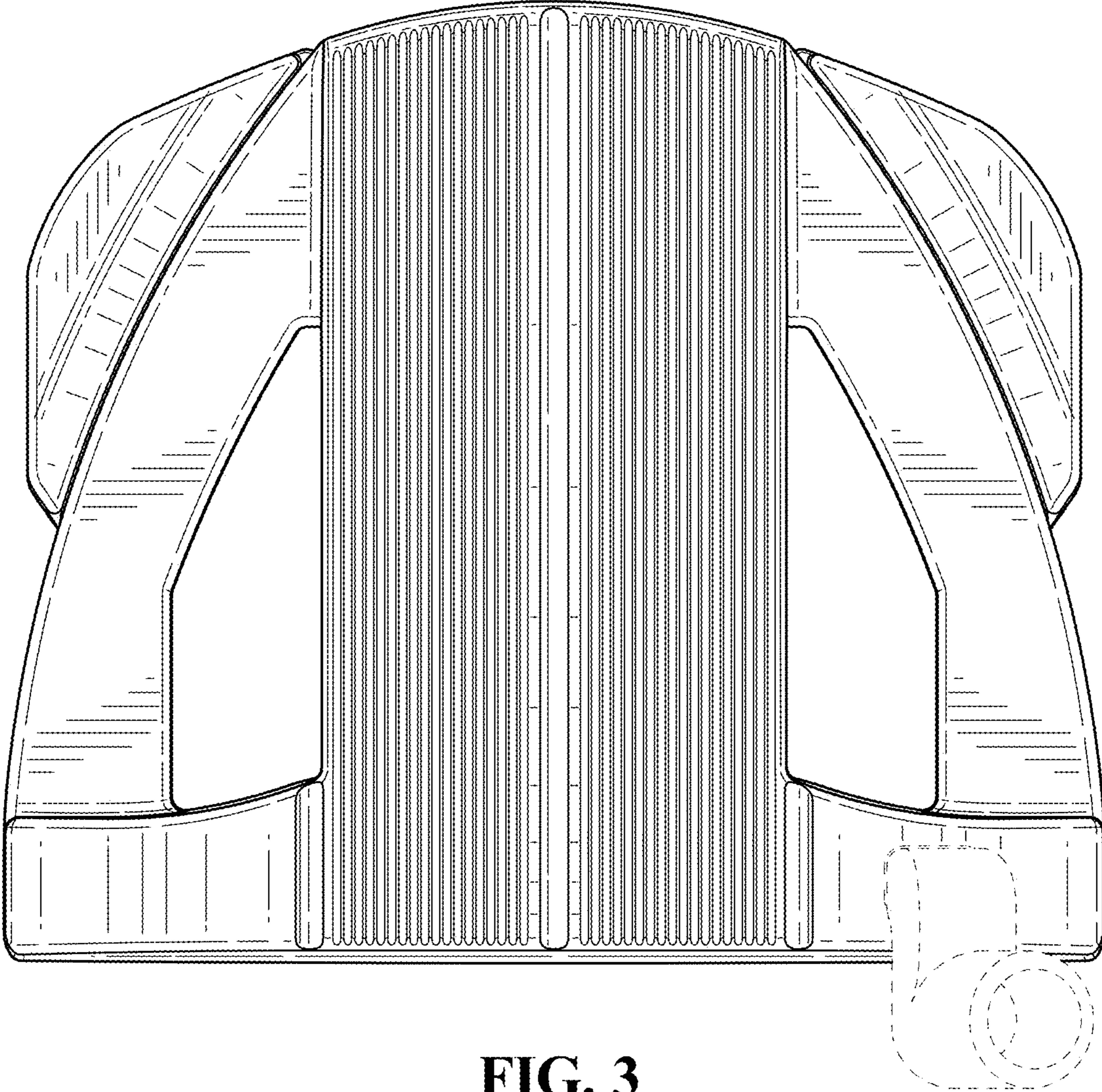


FIG. 3

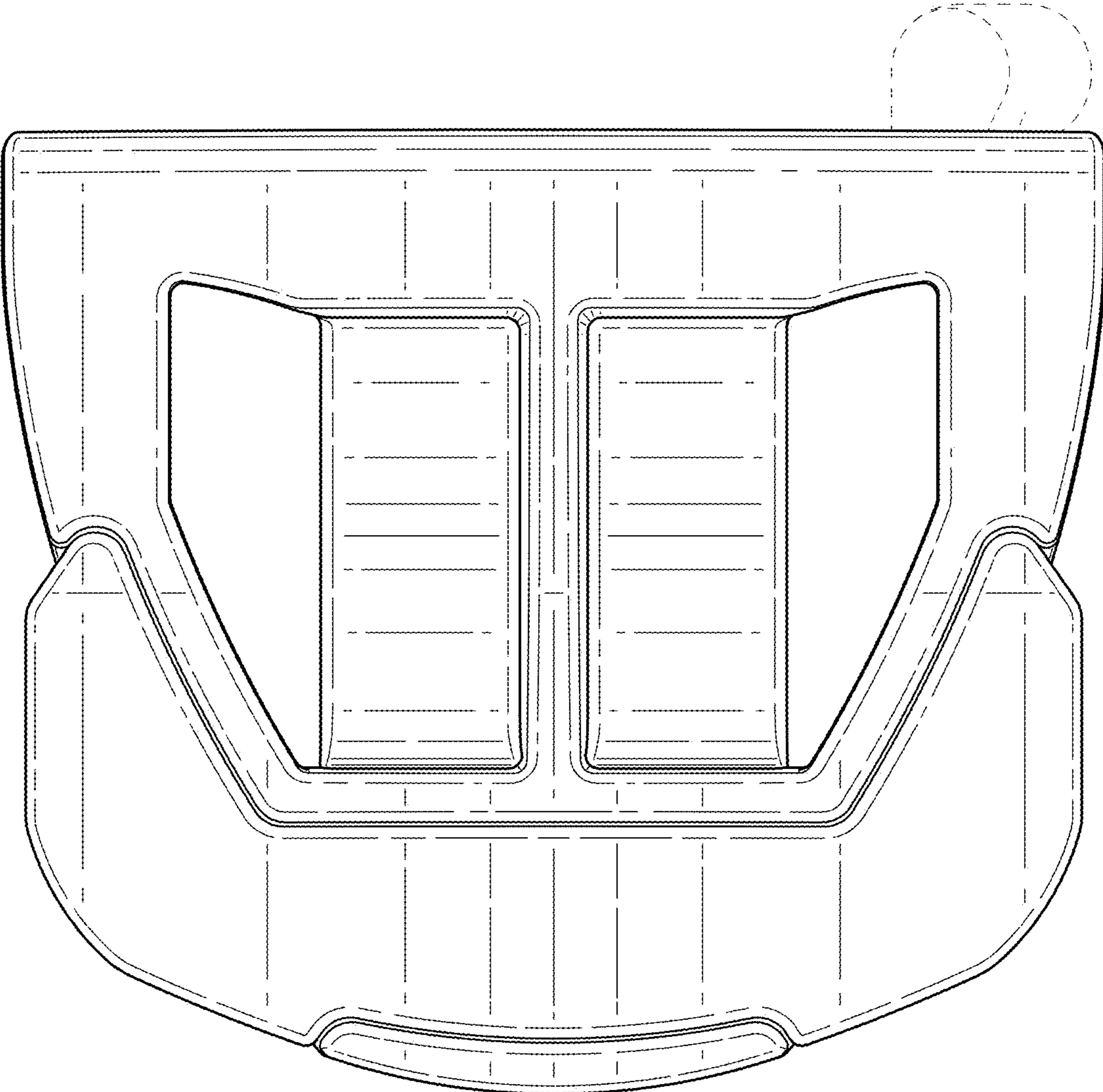


FIG. 4

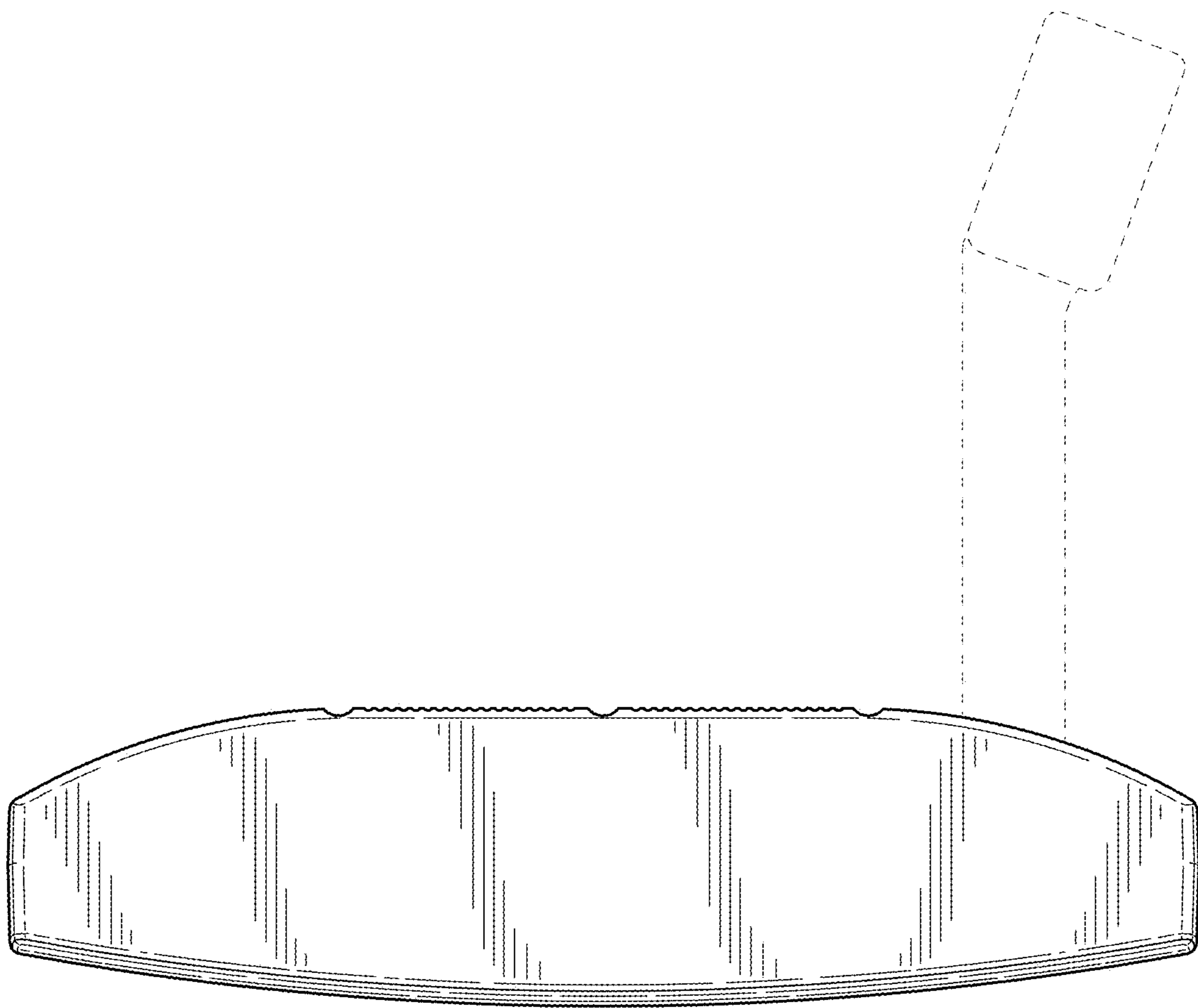


FIG. 5

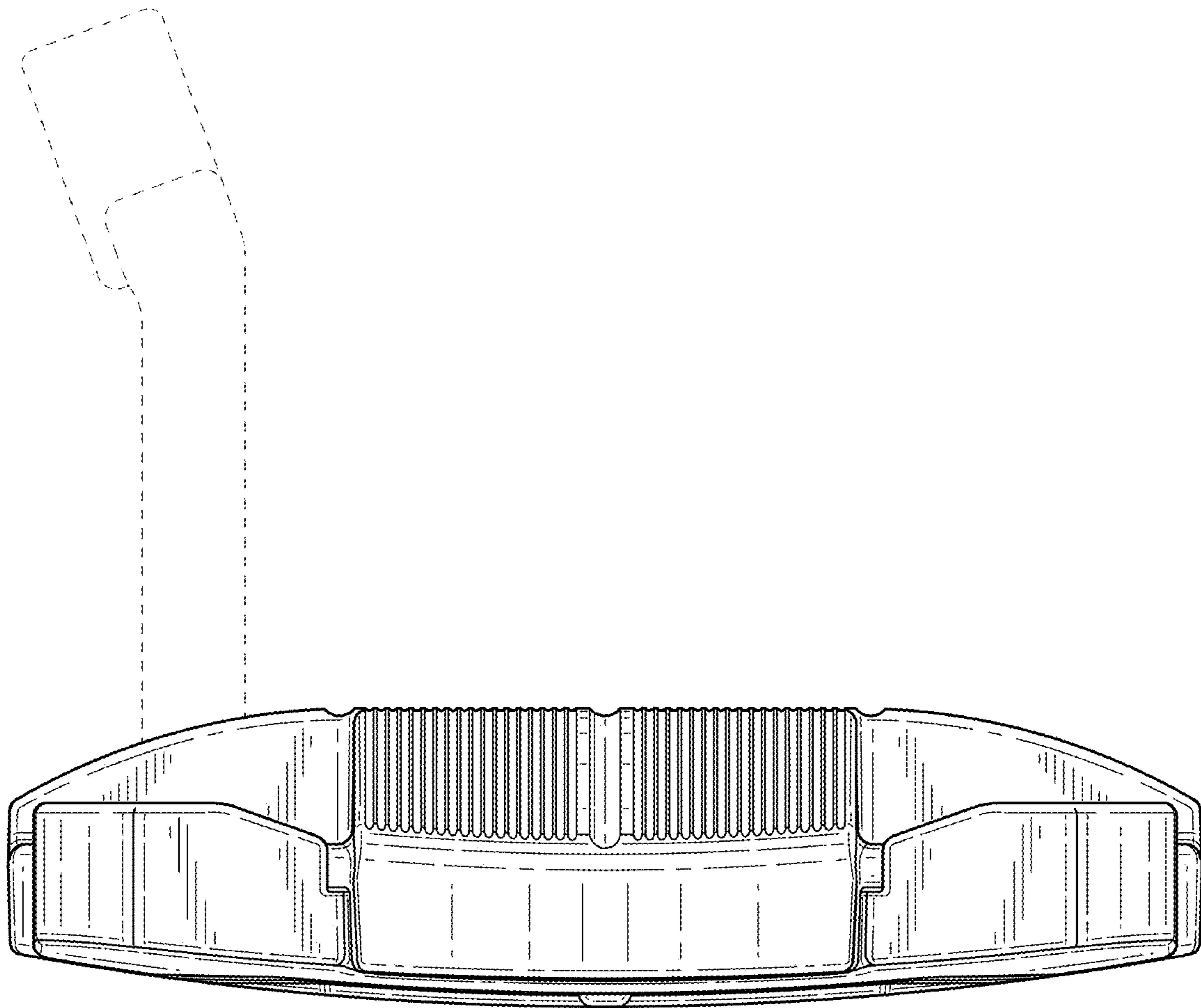


FIG. 6

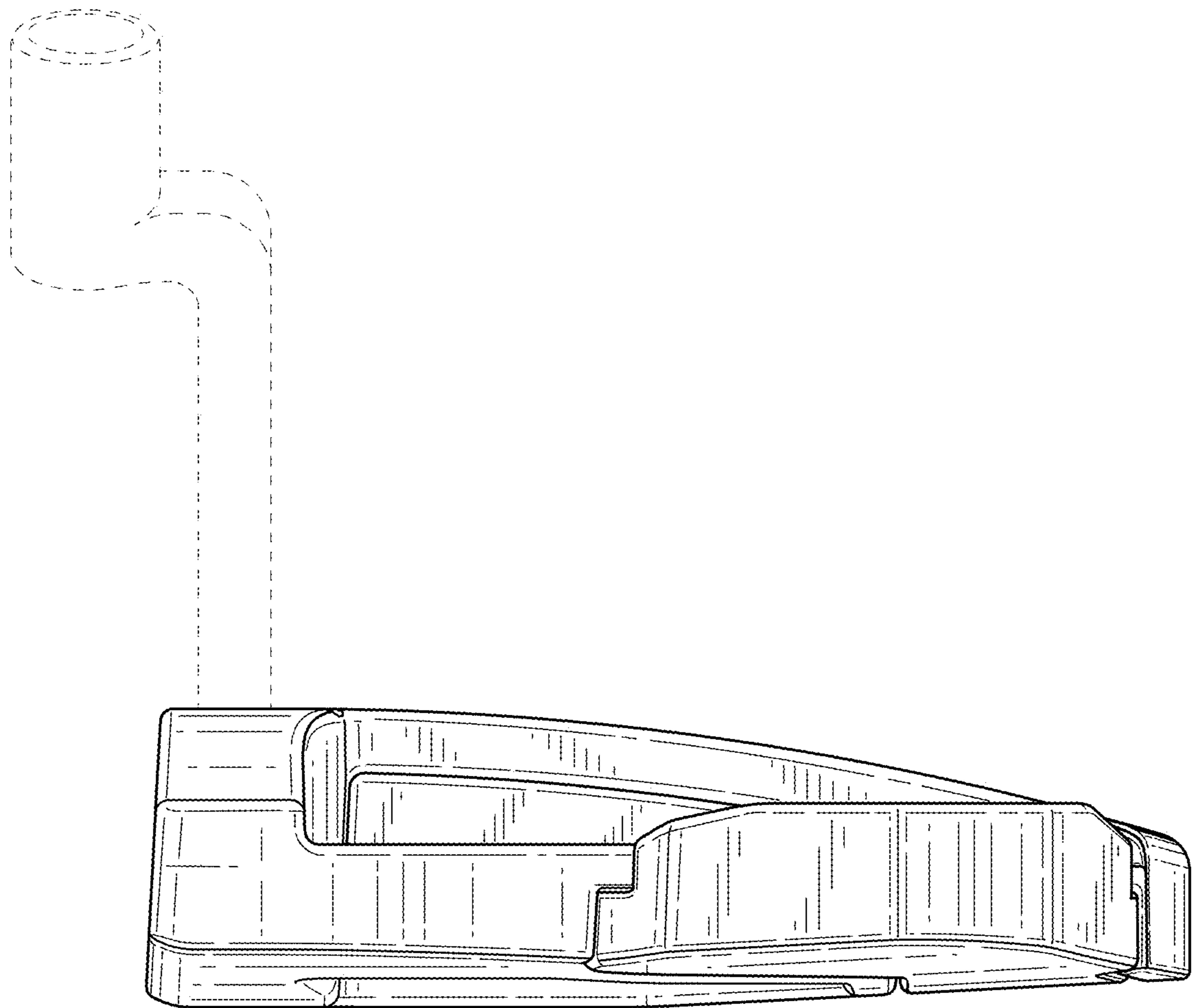


FIG. 7

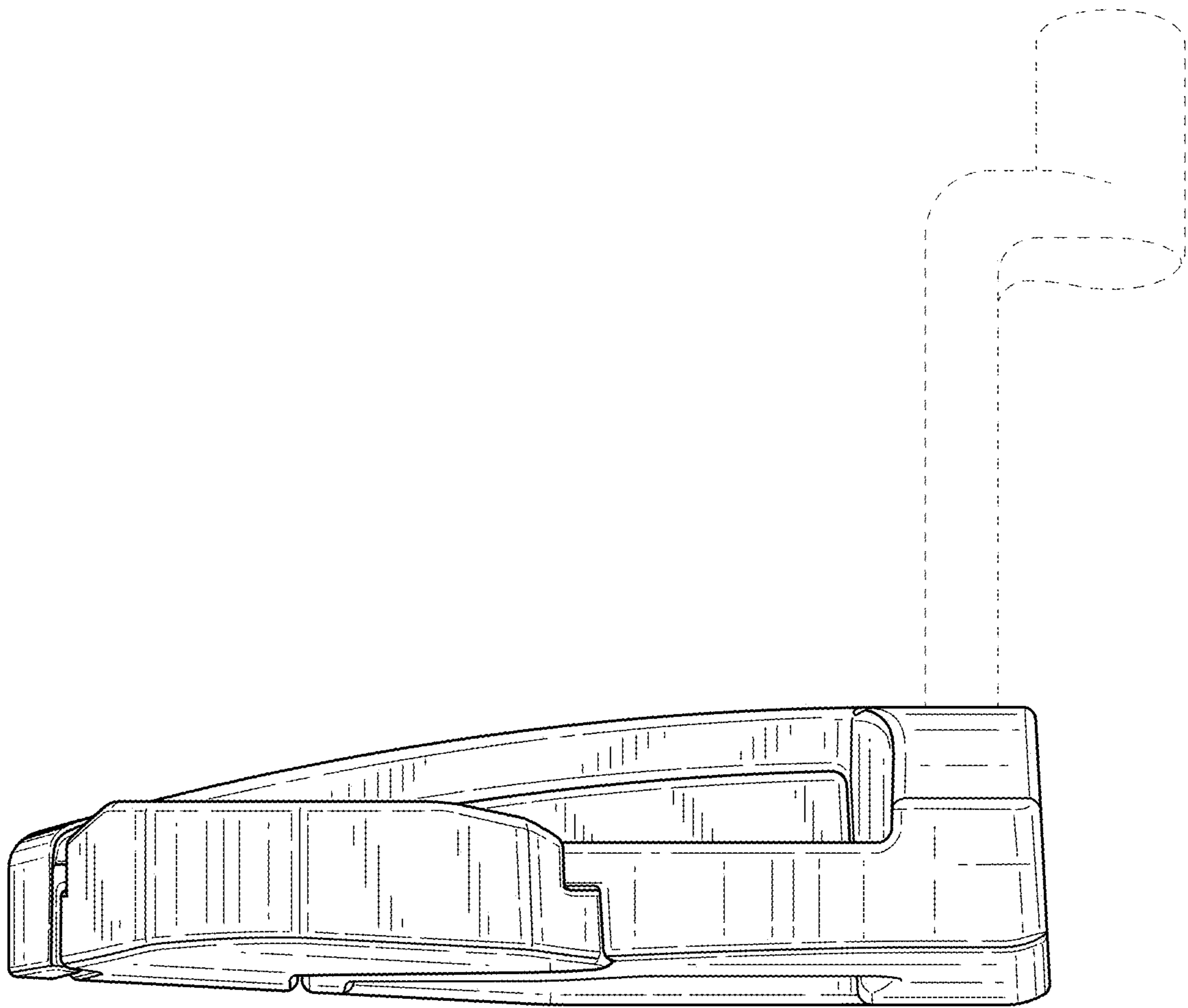


FIG. 8

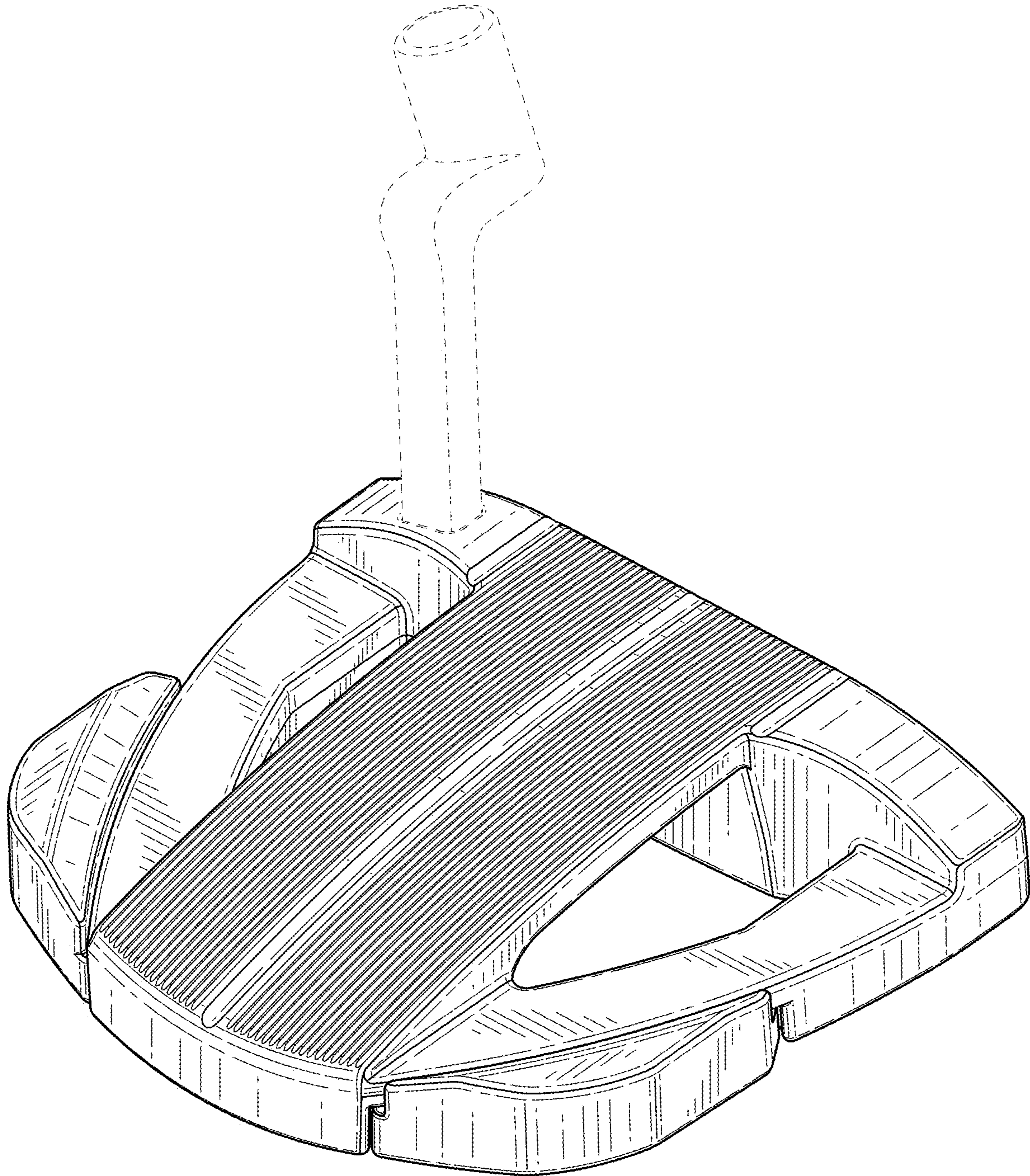


FIG. 9

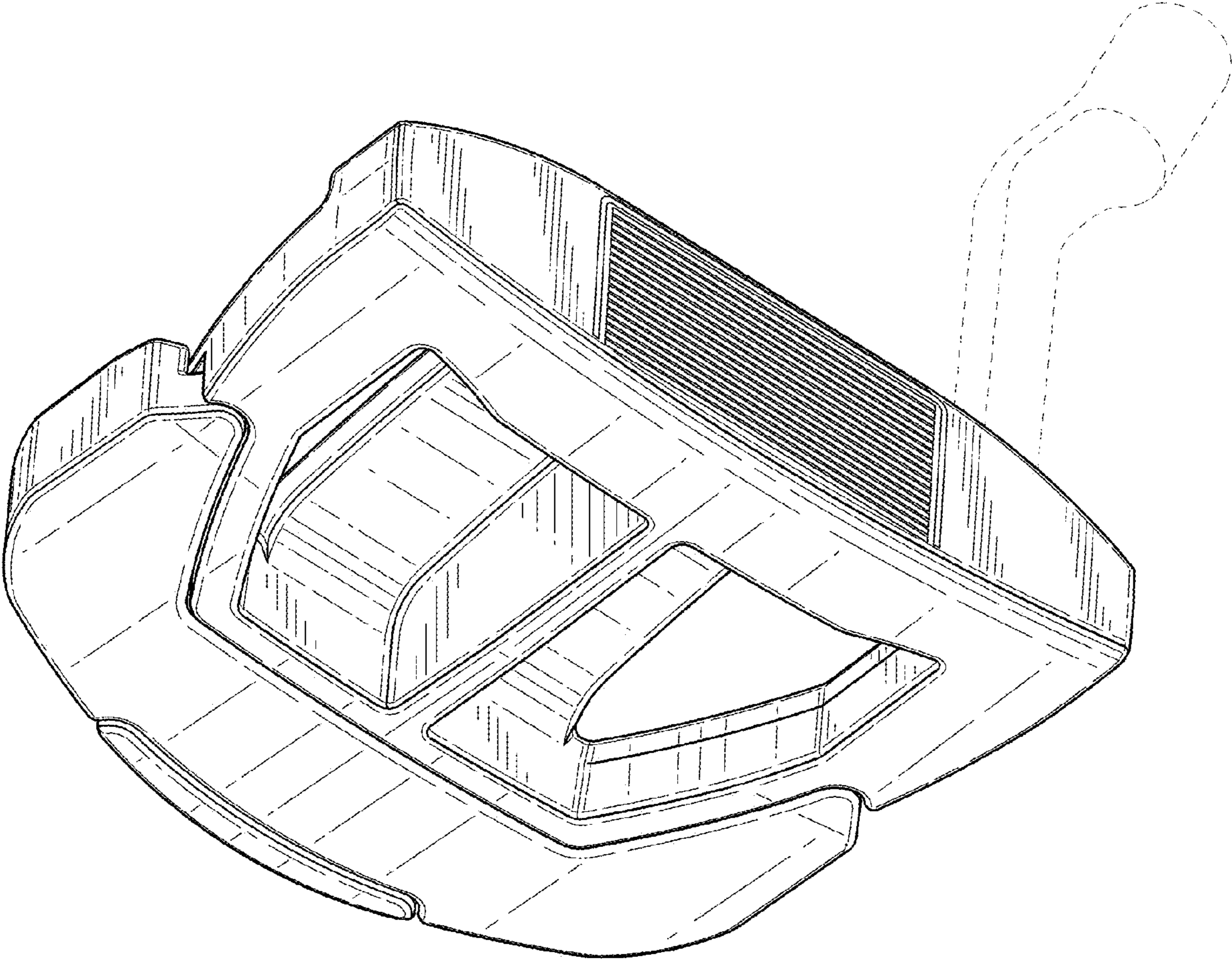


FIG. 10

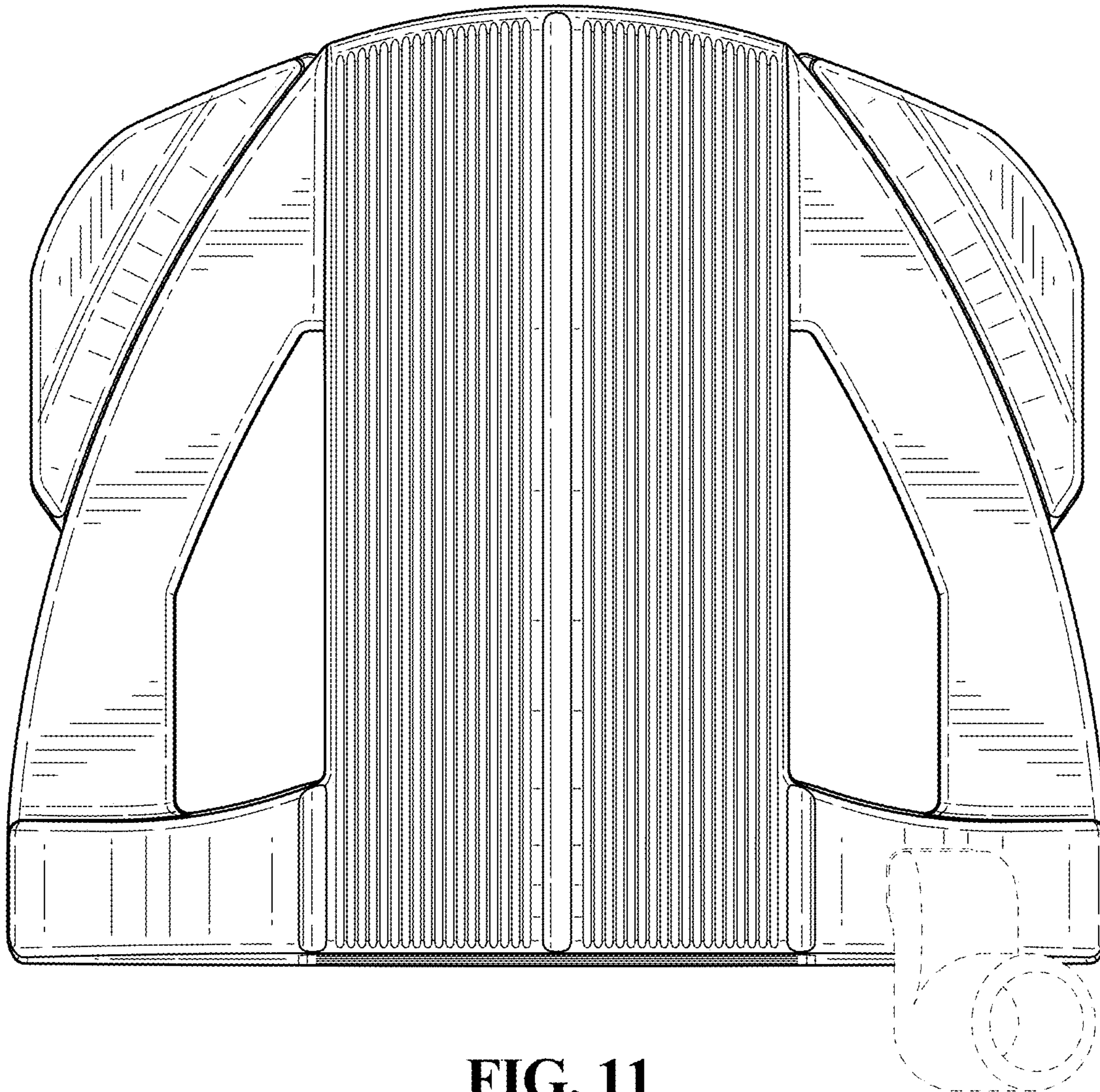


FIG. 11

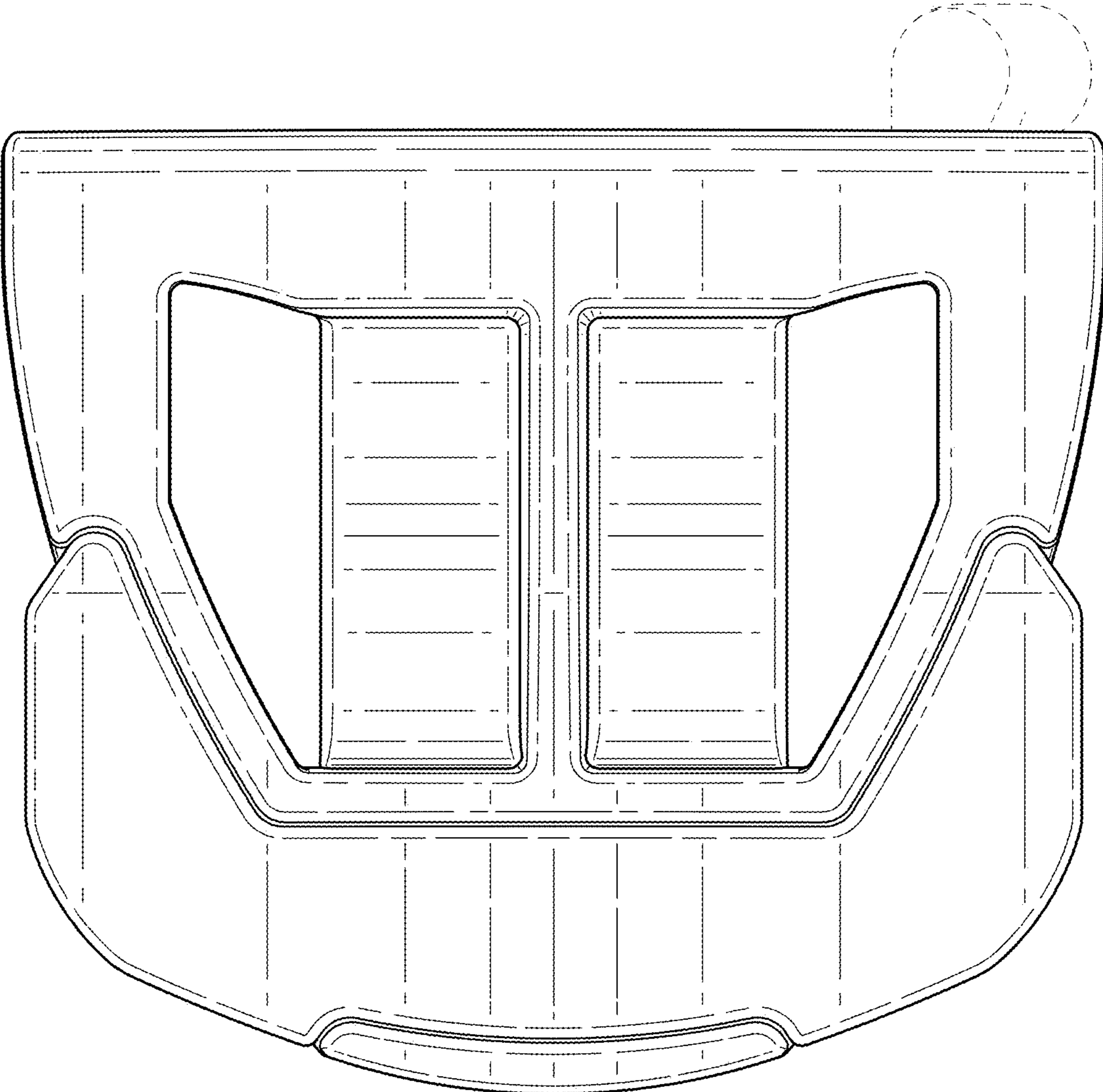


FIG. 12

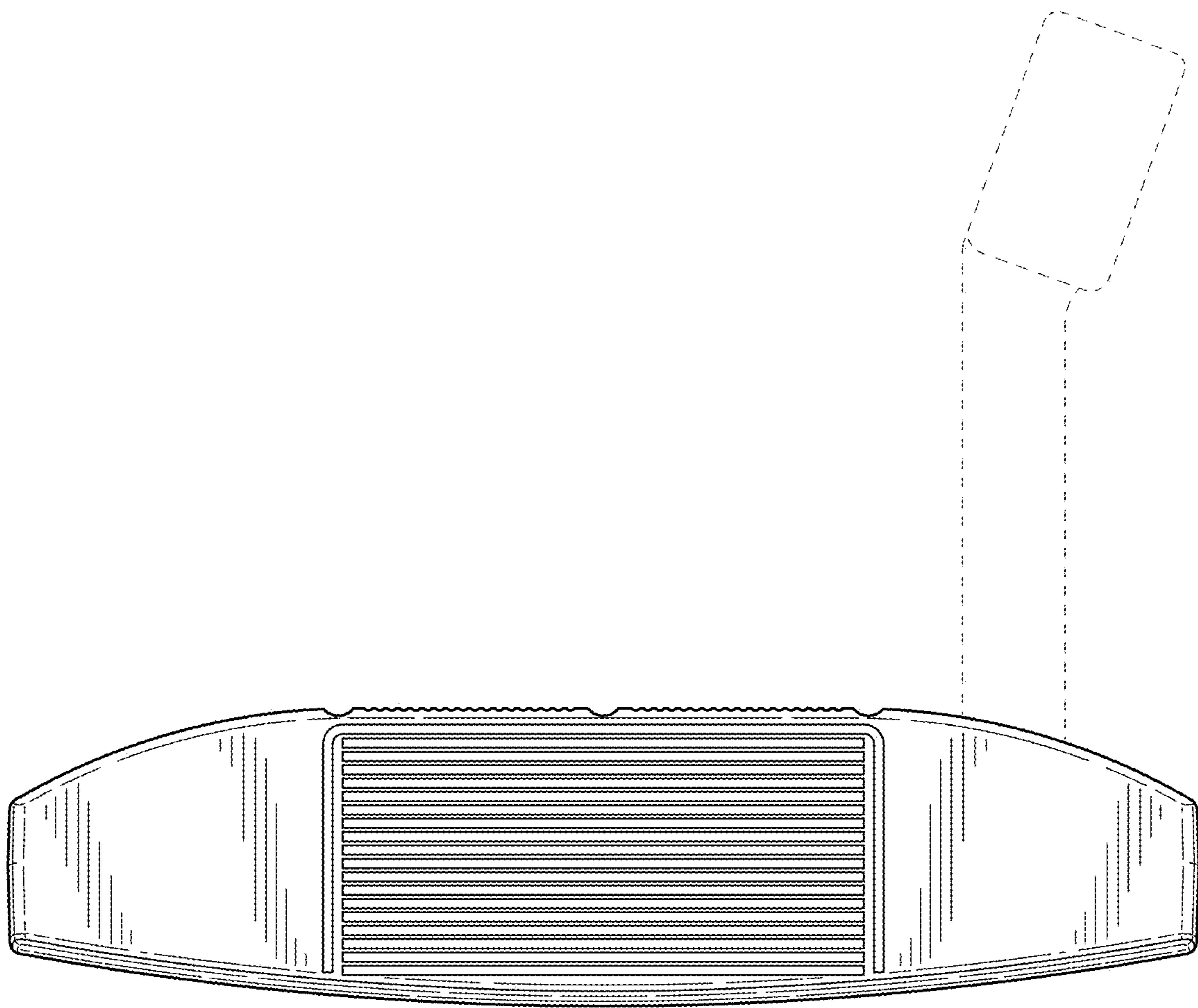


FIG. 13

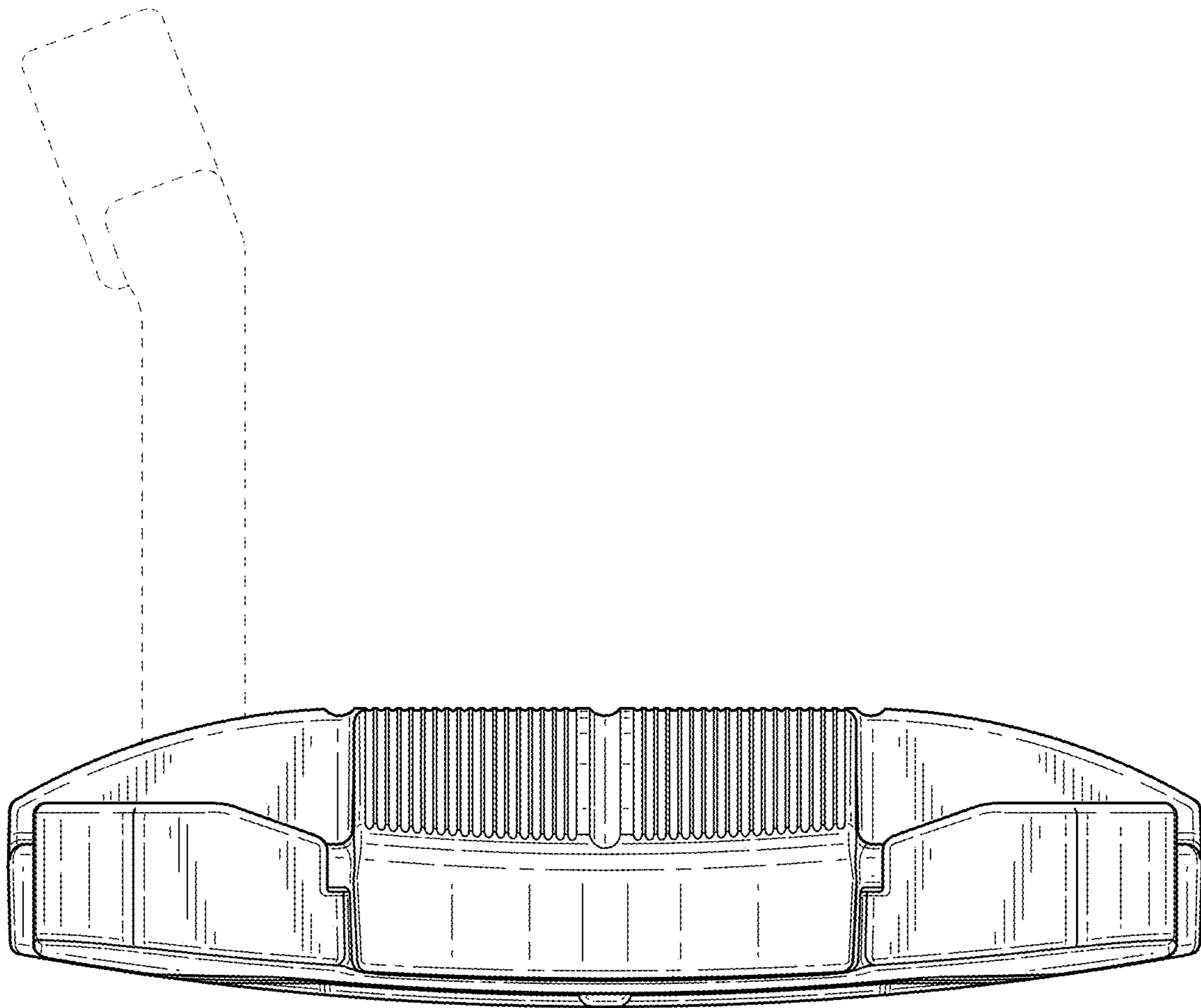


FIG. 14

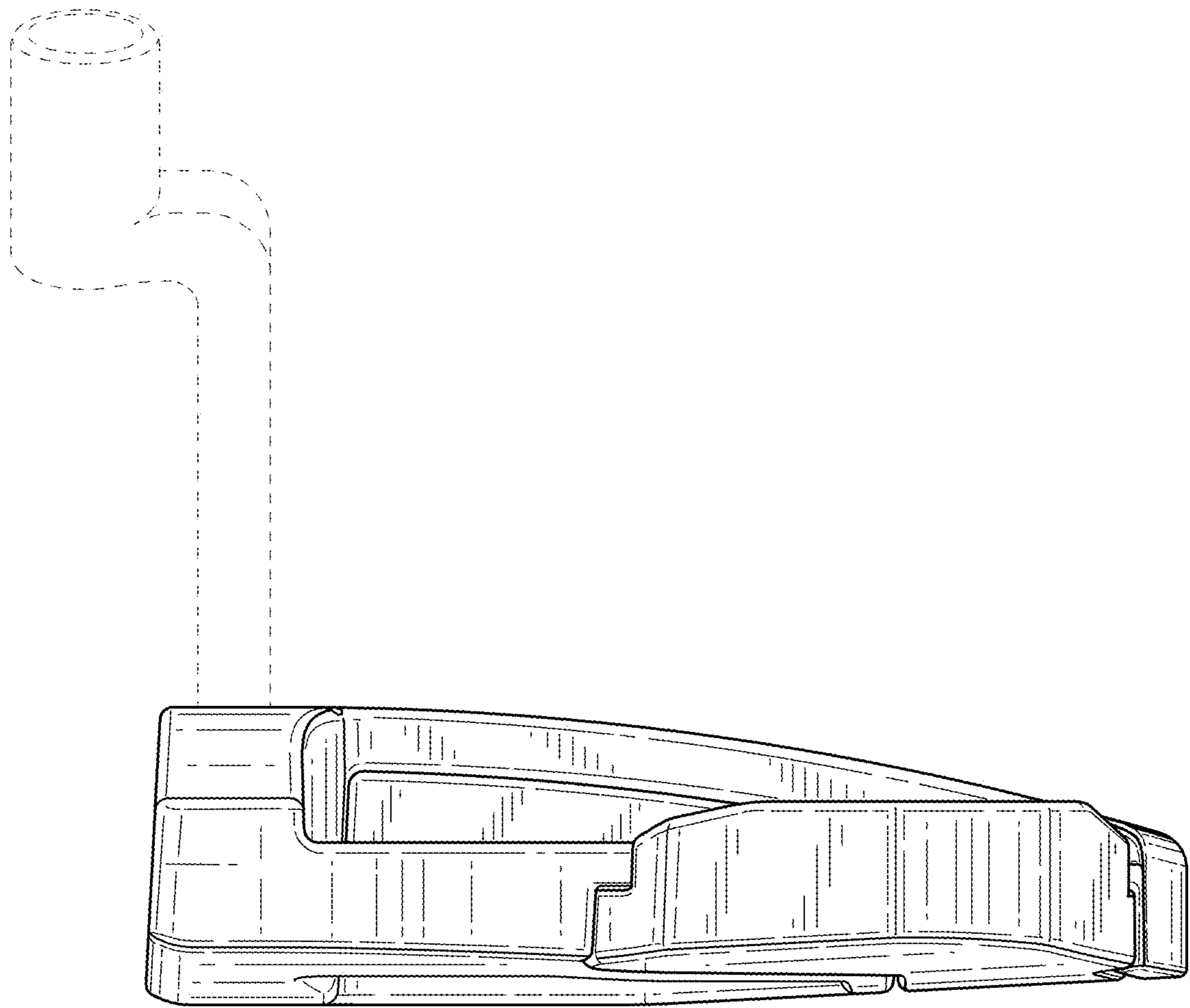


FIG. 15

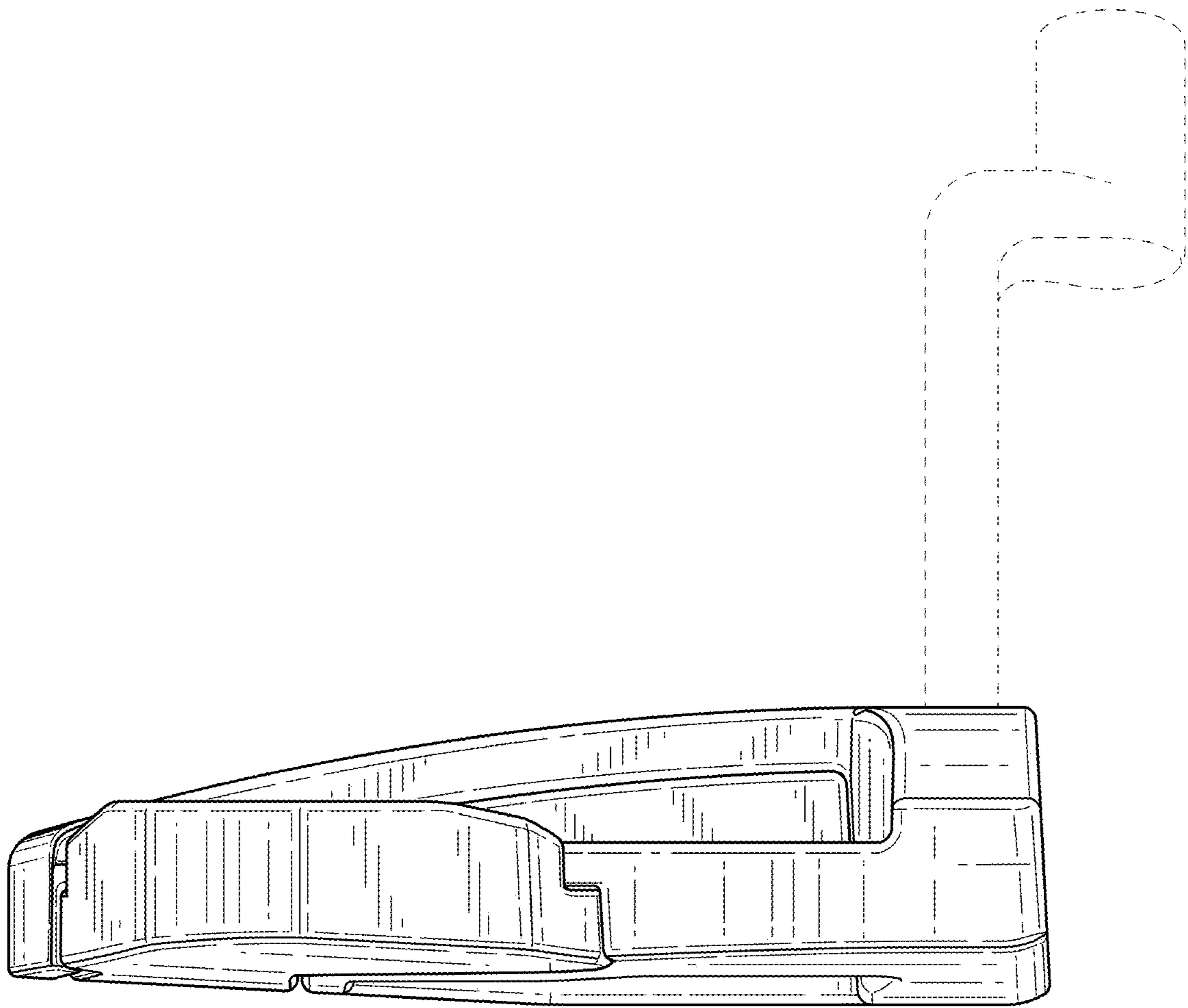


FIG. 16