



US00D896326S

(12) **United States Design Patent** (10) **Patent No.:** **US D896,326 S**
Adams (45) **Date of Patent:** **** Sep. 15, 2020**

(54) **EXERCISE STAND** 4,492,375 A 1/1985 Connelly
4,527,797 A * 7/1985 Slade, Jr. A63B 21/0626
(71) Applicant: **Coulter Ventures, LLC.**, Columbus, OH (US) 4,582,320 A 4/1986 Shaw
482/101
(Continued)

(72) Inventor: **Bryan Adams**, Columbus, OH (US)

(73) Assignee: **Coulter Ventures, LLC.**, Columbus, OH (US)

(**) Term: **15 Years**

(21) Appl. No.: **29/698,994**

(22) Filed: **Jul. 22, 2019**

FOREIGN PATENT DOCUMENTS

EP 3295998 A1 3/2018
FR 2630652 A1 11/1989
(Continued)

OTHER PUBLICATIONS

The belt squat machine by legend fitness dated Oct. 11, 2016. Found online [Sep. 13, 2019] <http://legendfitness.com/2016/10/the-belt-squat-machine/>.*

(Continued)

Related U.S. Application Data

(63) Continuation of application No. 29/646,787, filed on May 7, 2018, now Pat. No. Des. 854,637.

(51) **LOC (12) Cl.** **21-02**

(52) **U.S. Cl.**
USPC **D21/686**

(58) **Field of Classification Search**
USPC D6/656.1, 552, 549, 548; D21/827, 826, D21/797, 694, 691, 690, 686, 679, 673, D21/665, 662; 482/96, 95, 94, 93, 92, 482/87, 8, 77, 41, 40, 38, 36, 35, 2, 148, 482/147, 144, 141, 140, 135, 133, 132, 482/130, 128, 104, 101, 142; 472/136, 472/118
CPC A63B 21/078; A63B 21/4035; A63B 2225/093; A63B 21/4029; A63B 2210/50; A63B 21/0783

See application file for complete search history.

(56) **References Cited**

U.S. PATENT DOCUMENTS

4,286,782 A 9/1981 Fuhrhop
4,339,125 A 7/1982 Uyeda et al.

Primary Examiner — Ryan Harvey

(74) *Attorney, Agent, or Firm* — Banner & Witcoff, Ltd.

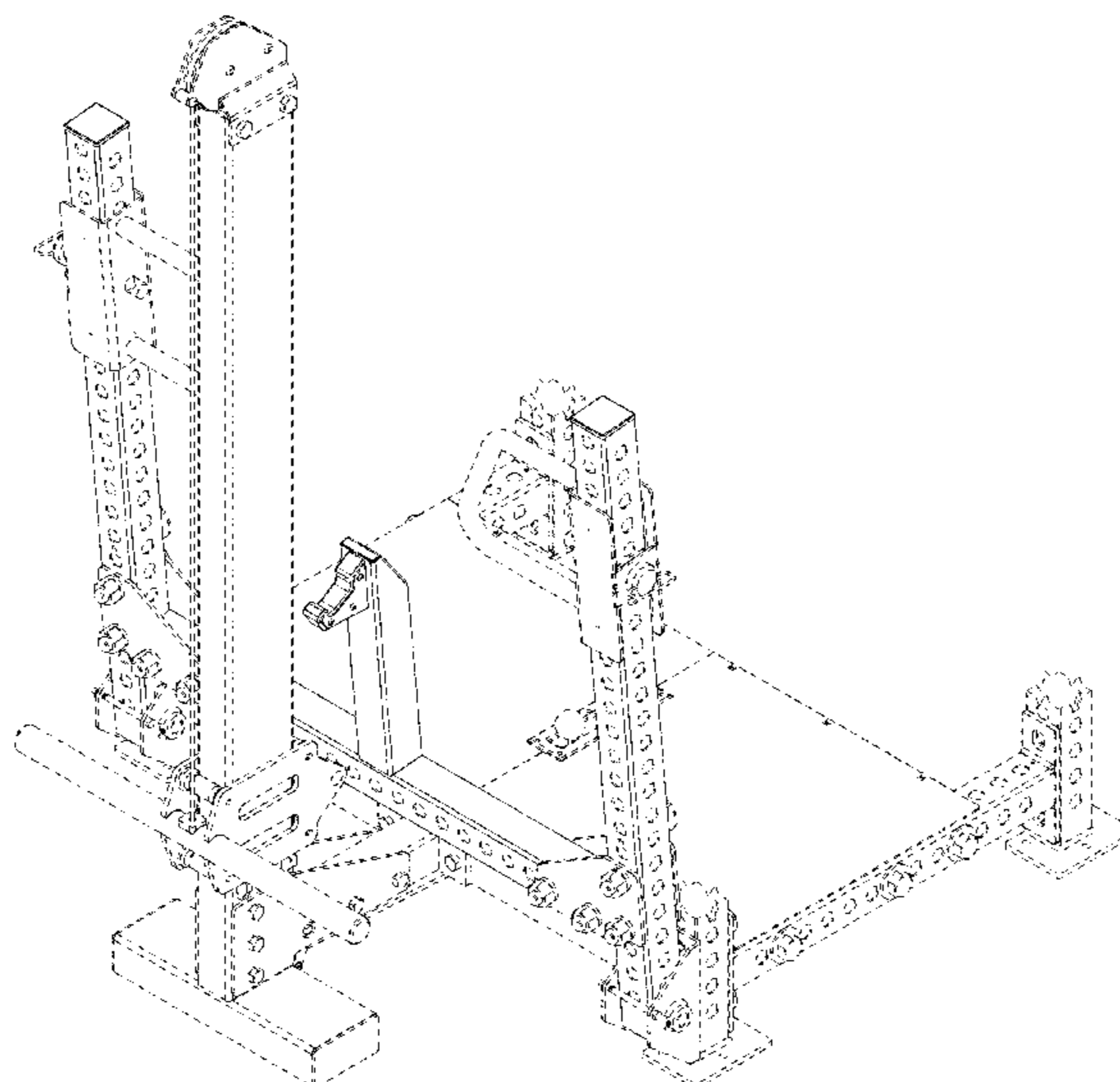
(57) **CLAIM**

The ornamental design for an exercise stand, as shown and described.

DESCRIPTION

FIG. 1 is a top, front, right perspective view of an exercise stand showing my new design;
FIG. 2 is a top, front, left perspective view thereof;
FIG. 3 is a left side view thereof;
FIG. 4 is a right side view thereof;
FIG. 5 is a front view thereof;
FIG. 6 is a rear thereof;
FIG. 7 is a top view thereof; and,
FIG. 8 is a top, front, right perspective view of the design of FIGS. 1-7 showing additional example environment.
The broken lines depicting the remainder of the exercise stand show features that form no part of the claimed design. The broken lines showing example environment in FIG. 8 also show features that form no part of the claimed design.

1 Claim, 8 Drawing Sheets



(56)

References Cited

U.S. PATENT DOCUMENTS

4,635,934 A 1/1987 Roethke
 D299,502 S 1/1989 Streiler
 4,856,775 A 8/1989 Colledge et al.
 D306,467 S 3/1990 Smith
 4,907,798 A * 3/1990 Burchatz A63B 21/06
 482/104
 5,050,868 A 9/1991 Pearson
 5,116,297 A 5/1992 Stonecipher
 5,273,506 A 12/1993 Dawson, Jr.
 D358,623 S * 5/1995 Macasieb D21/691
 5,529,558 A 6/1996 Koenig
 5,569,133 A 10/1996 Vittone
 5,688,216 A 11/1997 Mauriello
 5,722,922 A 3/1998 Watterson et al.
 5,954,619 A * 9/1999 Petrone A63B 71/0036
 482/104
 5,971,897 A 10/1999 Olson et al.
 6,217,483 B1 4/2001 Kallassy
 6,238,323 B1 5/2001 Simonson
 6,261,205 B1 7/2001 Elefson
 6,394,935 B1 5/2002 Lake
 6,447,430 B1 9/2002 Webb et al.
 6,482,139 B1 11/2002 Haag
 7,131,937 B2 11/2006 Skilken et al.
 D550,790 S 9/2007 Staten
 D550,791 S 9/2007 Rogers et al.
 D550,792 S 9/2007 Rogers et al.
 D550,793 S * 9/2007 Rogers D21/694
 D551,306 S 9/2007 Rogers et al.
 7,488,277 B1 2/2009 Knapp
 7,549,950 B1 6/2009 Lundquist et al.
 D636,038 S * 4/2011 Henniger D21/691
 D636,040 S * 4/2011 Henniger D21/691
 8,057,368 B1 11/2011 Lyszczarz
 8,096,926 B1 1/2012 Batca
 RE43,397 E * 5/2012 Rogers D21/694
 8,172,733 B1 5/2012 Batca
 8,834,327 B1 9/2014 George, Jr.
 8,876,673 B2 * 11/2014 Inglut A63B 21/068
 482/95
 9,011,301 B2 4/2015 Balandis et al.
 9,017,228 B2 4/2015 Hodges
 9,028,381 B2 5/2015 Mestemaker
 D731,601 S 6/2015 Bradley et al.
 D735,819 S * 8/2015 Louis D21/686
 D735,820 S * 8/2015 Alenaddaf D21/686
 9,095,742 B2 * 8/2015 Henniger A63B 21/0724
 D742,979 S * 11/2015 Post D21/686
 9,192,799 B2 11/2015 Alenaddaf
 D746,387 S 12/2015 Alessandri et al.
 9,278,246 B2 * 3/2016 Tambornino A63B 21/078
 9,289,638 B2 3/2016 Towley, III et al.
 9,302,139 B2 4/2016 Habing et al.
 D755,908 S * 5/2016 James D21/686
 D757,189 S 5/2016 Colburn
 9,327,161 B1 5/2016 Maher et al.
 9,421,413 B2 8/2016 Staten et al.
 D769,881 S * 10/2016 Lazzi D14/452
 9,486,660 B2 * 11/2016 Hoole A63B 21/0421
 9,610,490 B2 * 4/2017 Tambornino A63B 71/0036
 D787,237 S 5/2017 Bowman et al.
 9,669,251 B2 6/2017 Jones-Guinasso
 9,713,741 B1 7/2017 Tolliver
 D794,144 S * 8/2017 Abelbeck D21/686
 D806,808 S 1/2018 Gregory
 D808,475 S 1/2018 Meredith et al.
 9,895,572 B2 * 2/2018 Donato A63B 21/078
 D841,014 S * 2/2019 Laudadio D14/447
 10,307,634 B2 * 6/2019 Young A63B 21/078
 D852,907 S * 7/2019 Sergakis D21/686

D853,404 S * 7/2019 Bowman D14/452
 D854,637 S * 7/2019 Adams D21/686
 2003/0115955 A1 6/2003 Keiser
 2005/0054493 A1 3/2005 Skilken et al.
 2005/0202941 A1 9/2005 Vaes
 2006/0183607 A1 8/2006 Collias
 2006/0247097 A1 11/2006 La Voie et al.
 2006/0252615 A1 11/2006 Melcer
 2007/0155594 A1 * 7/2007 Rogers A63B 71/0036
 482/94
 2007/0155595 A1 7/2007 Rogers et al.
 2007/0155596 A1 7/2007 Rogers et al.
 2007/0161468 A1 7/2007 Yanagisawa et al.
 2008/0312051 A1 12/2008 Manyseng
 2009/0143203 A1 6/2009 Knapp
 2010/0216610 A1 8/2010 Gedeon-Janvier
 2010/0292057 A1 11/2010 Dunn
 2012/0119040 A1 * 5/2012 Ergun A47B 21/02
 248/126
 2012/0289384 A1 11/2012 Staten et al.
 2012/0329613 A1 * 12/2012 Schiano A63B 21/078
 482/94
 2013/0035220 A1 2/2013 Adams
 2013/0296143 A1 11/2013 Staten et al.
 2013/0296146 A1 11/2013 Staten et al.
 2014/0087928 A1 3/2014 Luedeka
 2014/0256517 A1 9/2014 Poppinga
 2015/0011370 A1 * 1/2015 Henniger A63B 21/00047
 482/145
 2015/0014212 A1 * 1/2015 Beaver A63B 23/0458
 206/579
 2015/0038300 A1 * 2/2015 Forhan A63B 21/00047
 482/72
 2015/0059257 A1 * 3/2015 Beaver A63B 17/00
 52/27
 2015/0065316 A1 * 3/2015 Towley, III A63B 21/00047
 482/104
 2015/0083681 A1 3/2015 Childs
 2015/0159804 A1 * 6/2015 Bowman F16M 11/045
 248/122.1
 2015/0182773 A1 7/2015 Olson et al.
 2015/0196119 A1 * 7/2015 Henniger A63B 1/00
 211/85.7
 2015/0352395 A1 12/2015 Gregory
 2016/0175639 A1 6/2016 Thomson
 2016/0213967 A1 7/2016 Habing et al.
 2017/0007877 A1 1/2017 Leipheimer
 2017/0246496 A1 8/2017 Nelson et al.
 2018/0178051 A1 * 6/2018 Shaw, Jr. A63B 21/078
 2018/0311522 A1 * 11/2018 Schmidt A63B 21/0004

FOREIGN PATENT DOCUMENTS

GB 2346808 A 8/2000
 KR 200466889 Y1 5/2013
 KR 20140060130 A 5/2014
 WO 9842411 A1 10/1998
 WO 201893699 A1 5/2018

OTHER PUBLICATIONS

Belt Squat by bells of steel dated no date given. Found online [Sep. 13, 2019] <https://www.bellssteel.us/product/belt-squat-machine/>.
 D8X by gym equip dated no date given. Found online [Sep. 13, 2019] <https://www.gymequip.eu/product/belt-squat-machine/>.
 Photo from <<https://web.archive.org/web/20170112075250/https://mydynamicfitness.com>>, dated Jan. 12, 2017.
 Screenshots from <<https://www.youtube.com/watch?v=A4xv8OhVbzI>>, dated May 17, 2018.

* cited by examiner

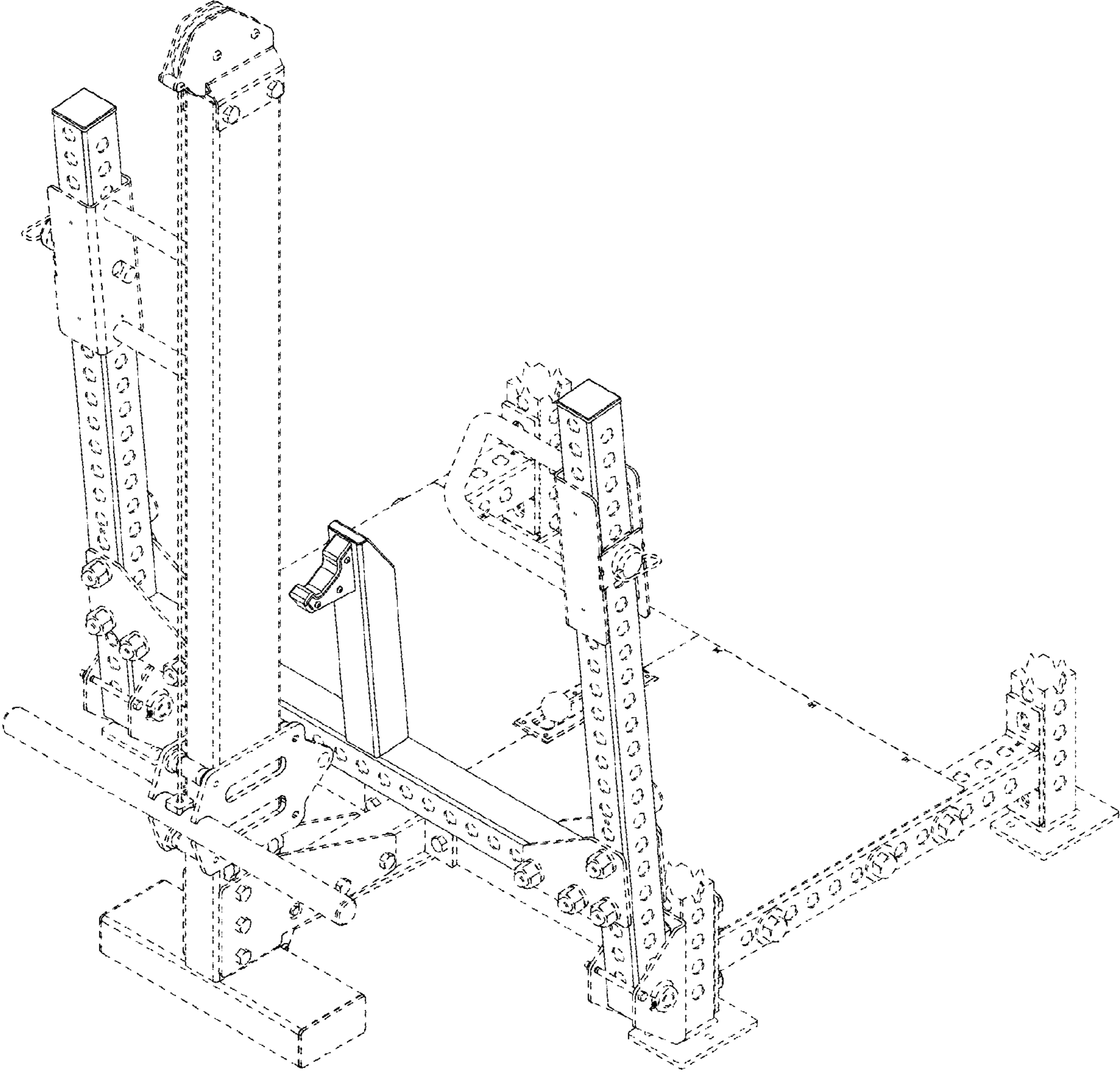


FIG. 1

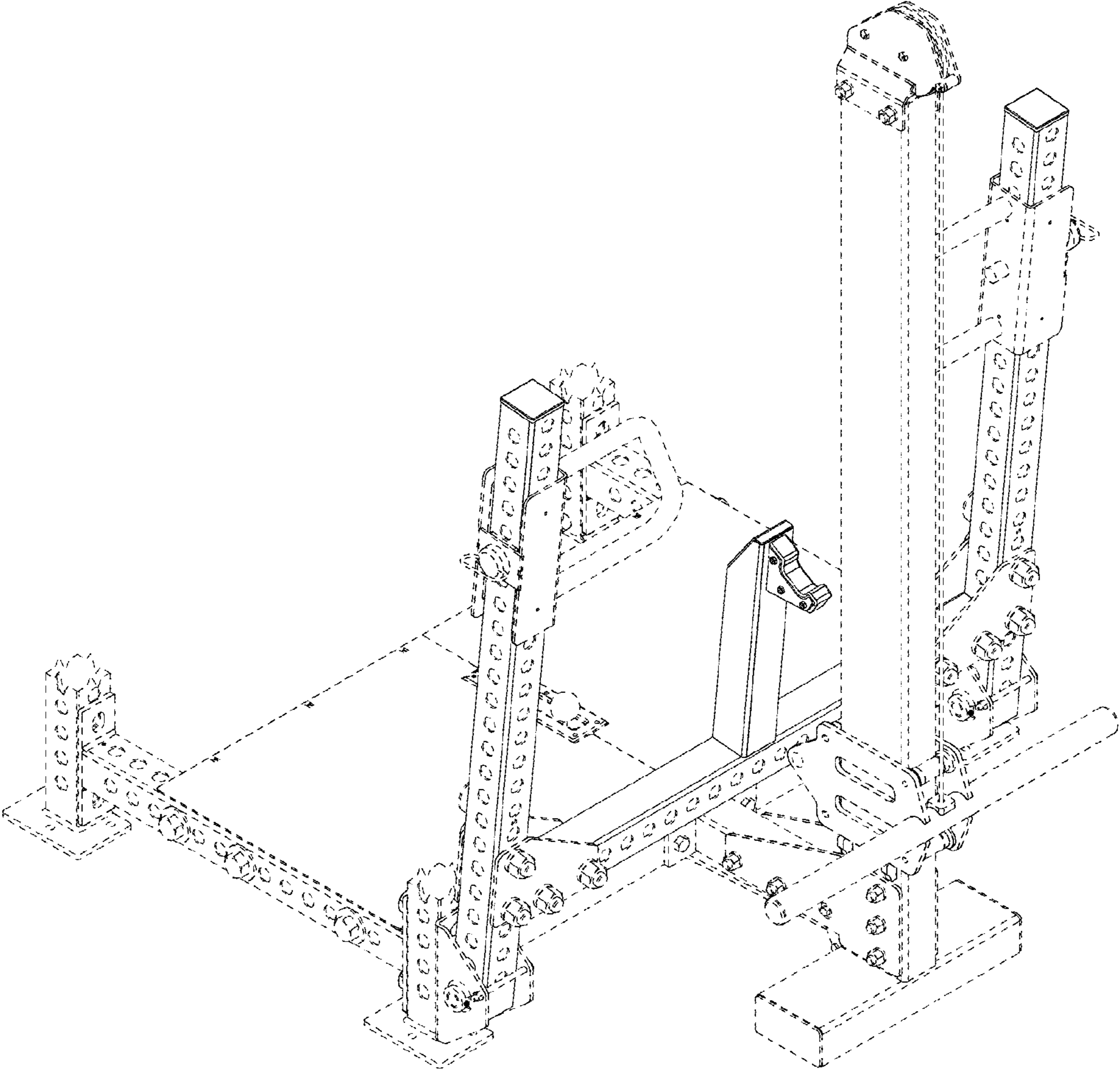


FIG. 2

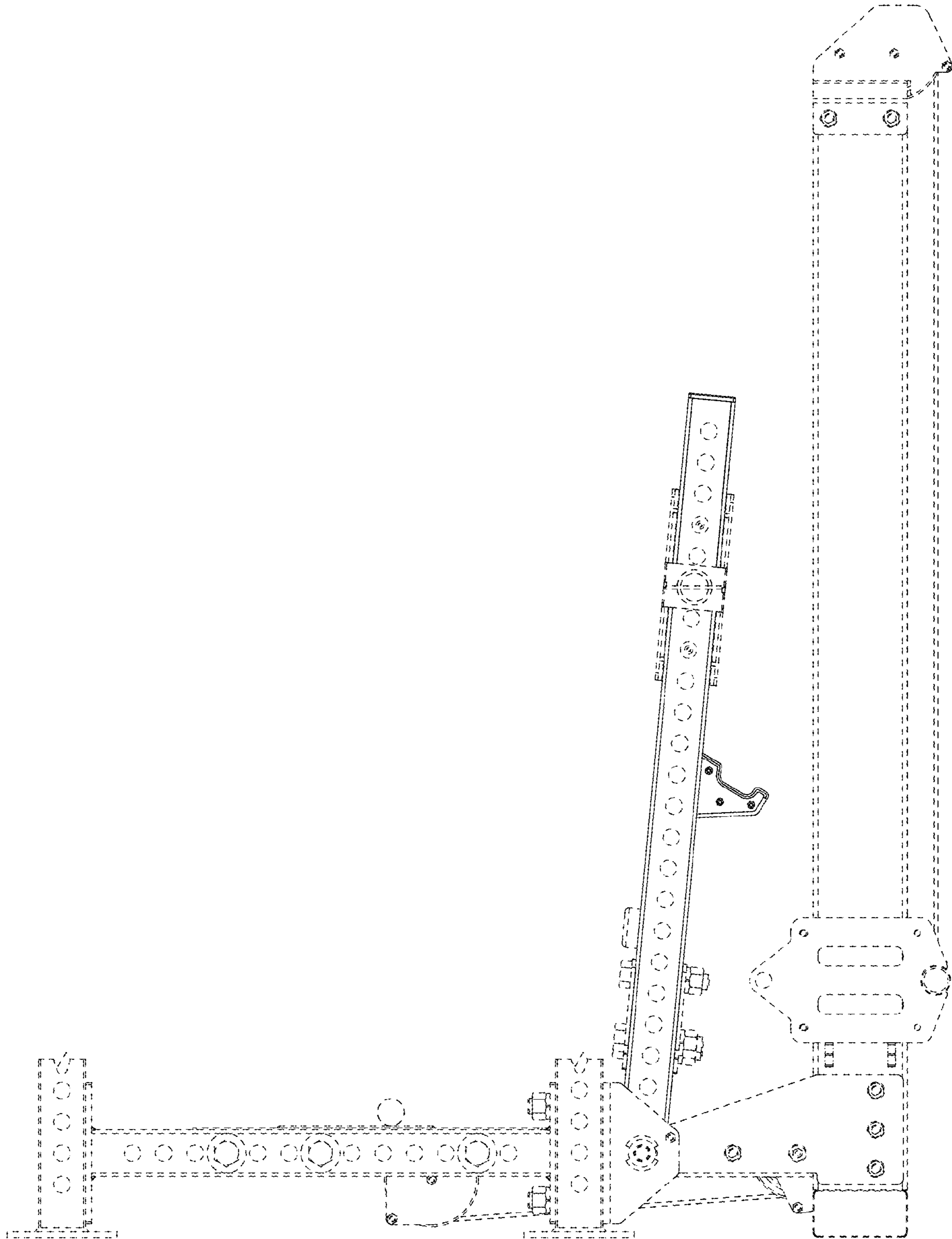


FIG. 3

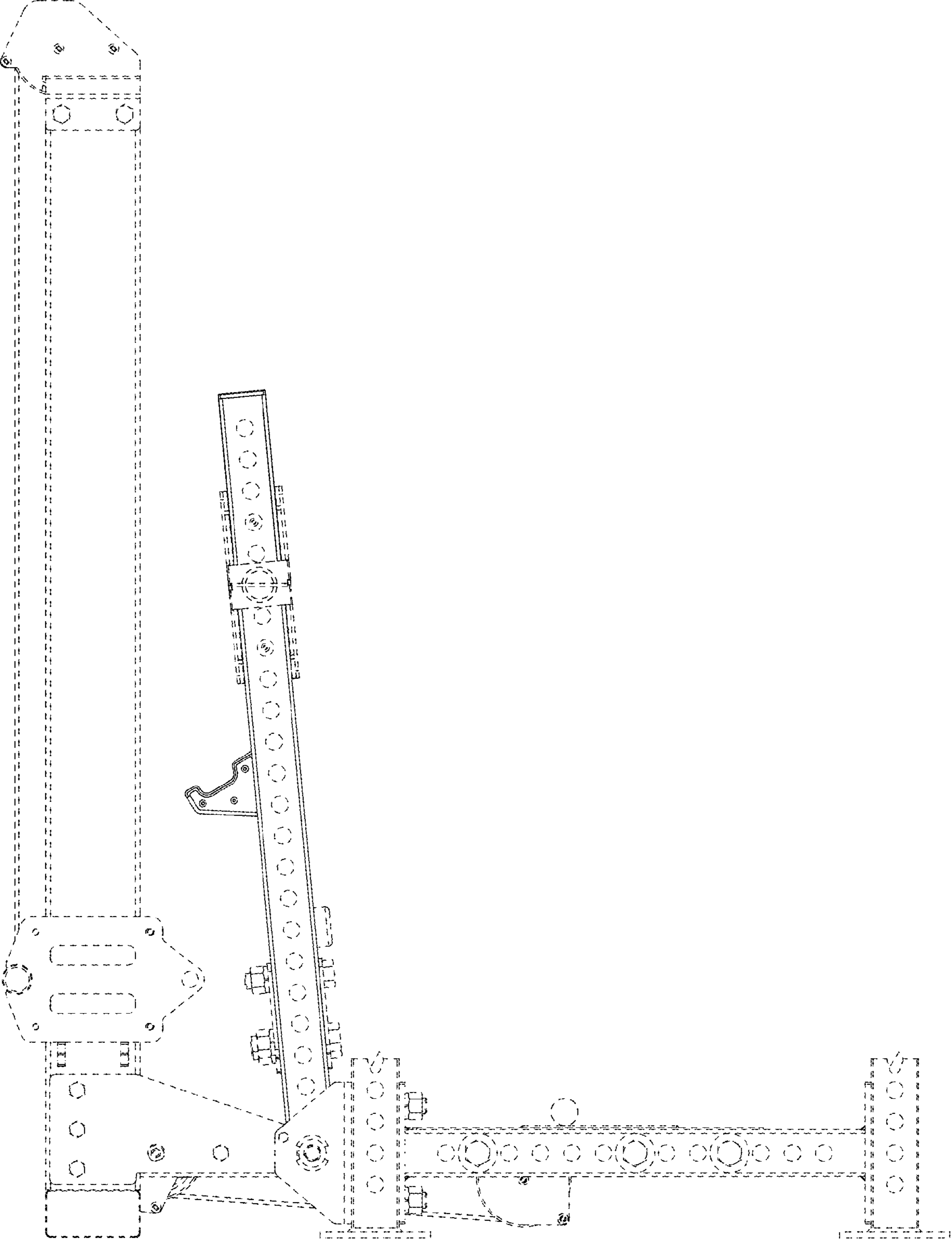


FIG.4

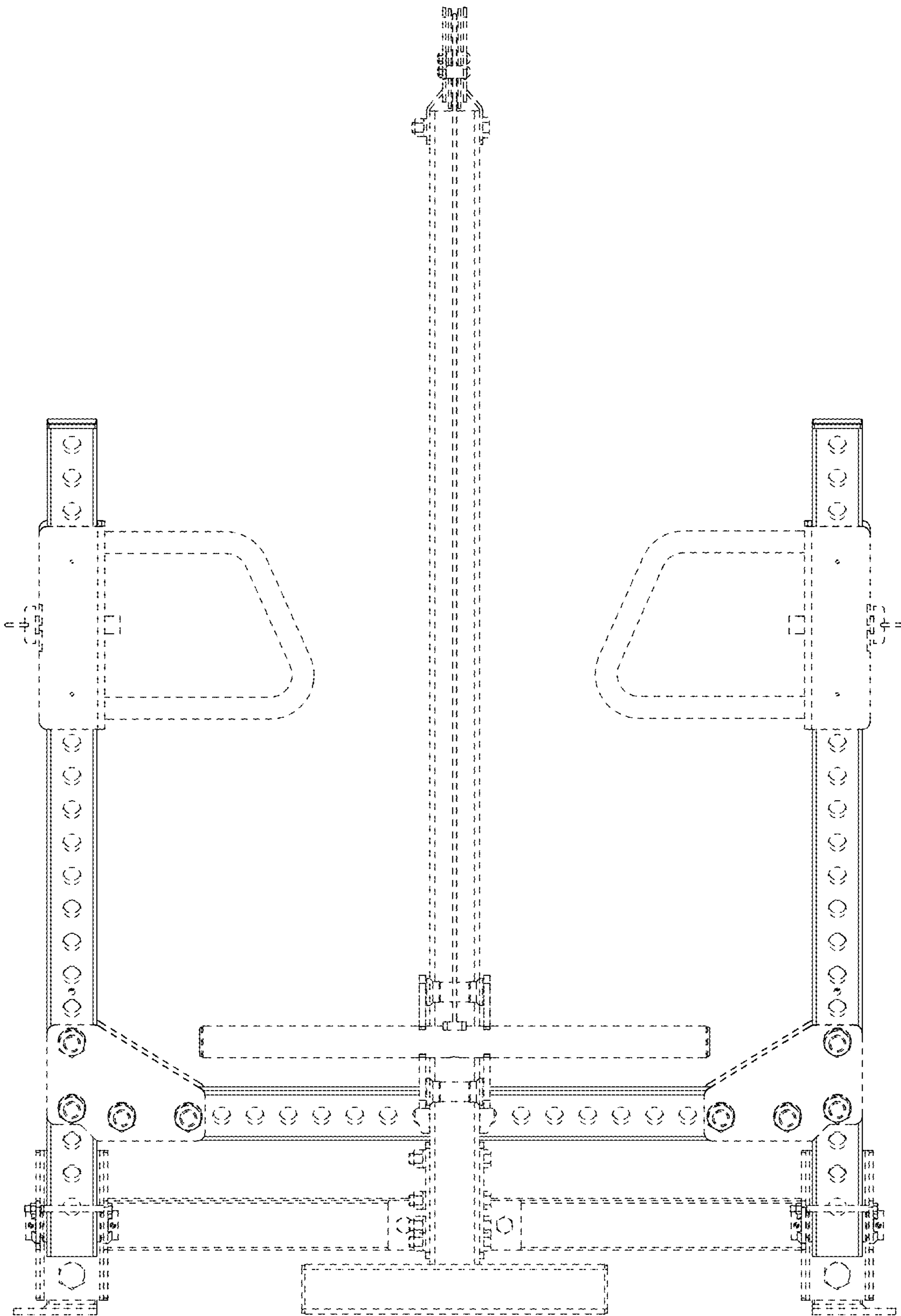


FIG. 5

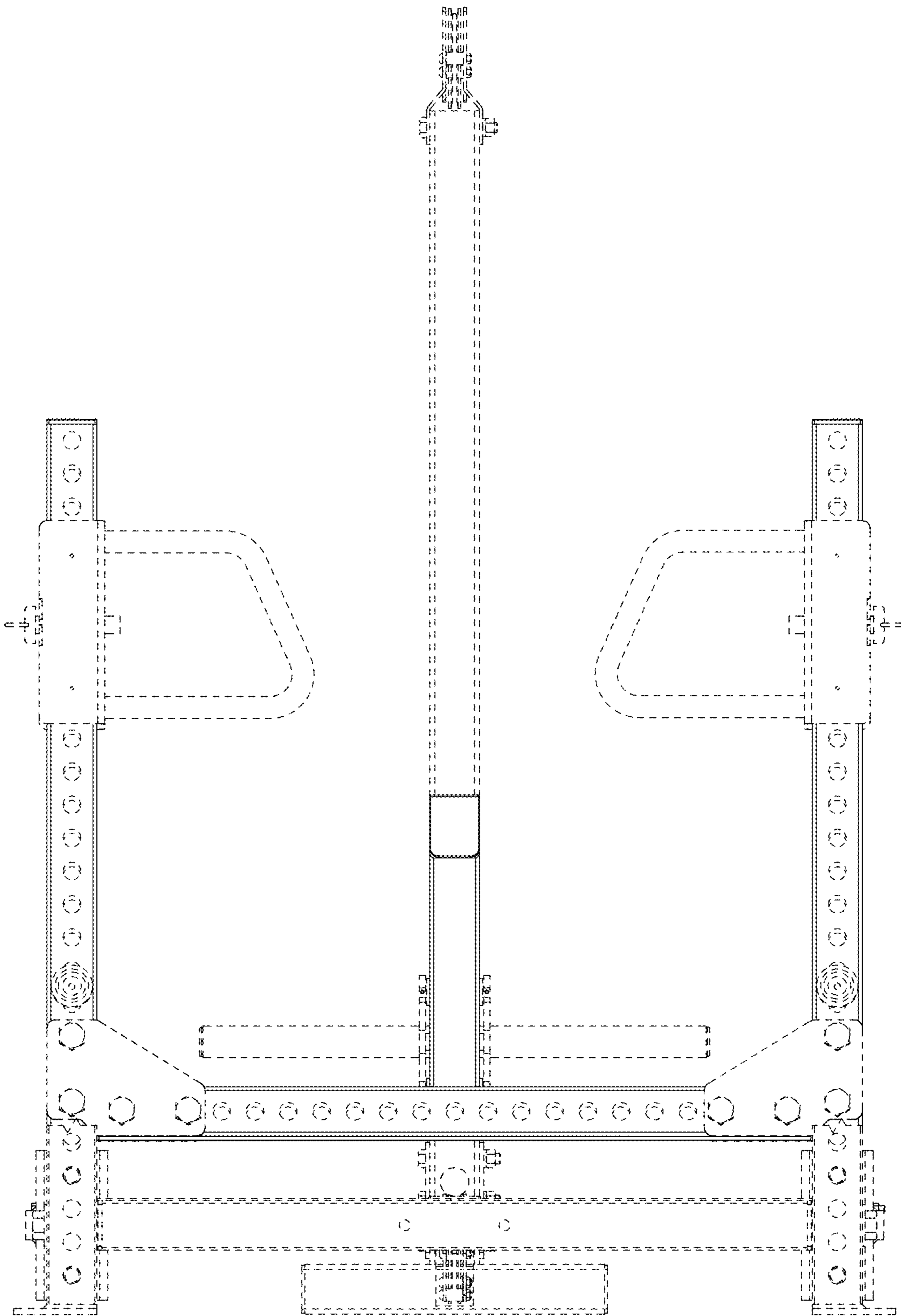


FIG. 6

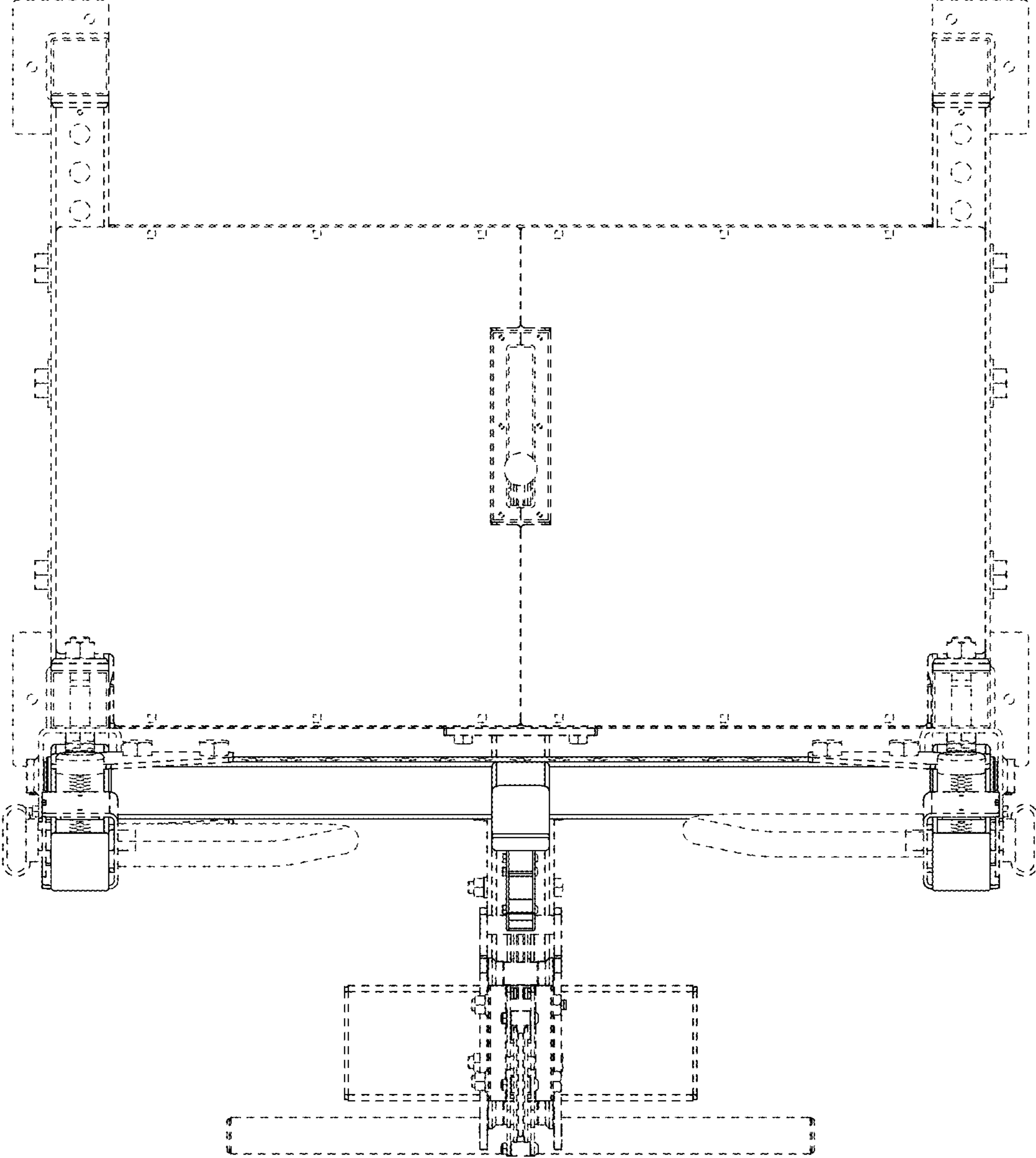


FIG. 7

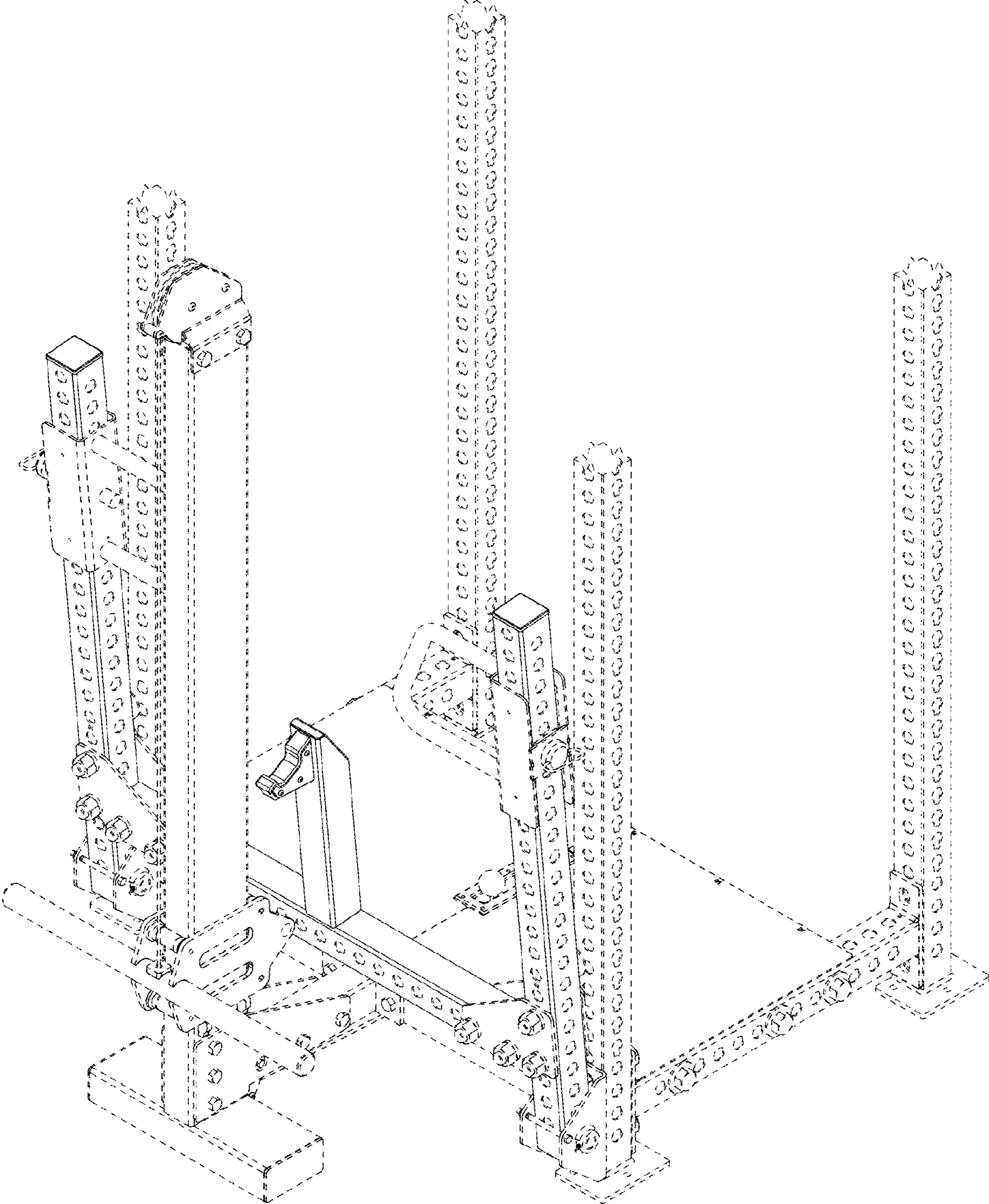


FIG.8