

US00D896325S

(12) **United States Design Patent**  
**Sundblad**

(10) **Patent No.:** **US D896,325 S**

(45) **Date of Patent:** **\*\* Sep. 15, 2020**

(54) **KETTLEBELL HANDLE**

7,883,452 B1 \* 2/2011 Chen ..... A63B 21/4035  
482/93

(71) Applicant: **Andrew Sundblad**, Oakland, CA (US)

D644,701 S 9/2011 Towley, III

D647,185 S 10/2011 Gilbert

(72) Inventor: **Andrew Sundblad**, Oakland, CA (US)

D651,672 S 1/2012 Towley, III

D652,877 S 1/2012 Dalebout

(\*\*) Term: **15 Years**

D653,715 S 2/2012 Tumminia

D653,716 S \* 2/2012 Lin ..... D21/682

D654,971 S 2/2012 Januszek

(21) Appl. No.: **29/735,556**

D664,613 S 7/2012 Dalebout

D683,803 S 6/2013 Childs

(22) Filed: **May 21, 2020**

D685,866 S 7/2013 Kinsbourne

D692,509 S 10/2013 Kessler

8,784,280 B2 7/2014 Krull

D715,177 S 10/2014 Vaughan

8,858,406 B2 10/2014 Klukas

D726,842 S 4/2015 Ross

(Continued)

**Related U.S. Application Data**

(63) Continuation-in-part of application No. 29/703,148,  
filed on Aug. 23, 2019.

(51) **LOC (12) Cl.** ..... **21-02**

*Primary Examiner* — George D. Kirschbaum

(52) **U.S. Cl.**

(74) *Attorney, Agent, or Firm* — Quickpatents, LLC;

USPC ..... **D21/682**

Kevin Prince

(58) **Field of Classification Search**

USPC ..... D21/680, 682, 694

(57) **CLAIM**

CPC ..... A63B 21/072; A63B 21/0728; A63B  
21/4035; A63B 21/075

The ornamental design for a kettlebell handle, as shown and  
described.

See application file for complete search history.

**DESCRIPTION**

(56) **References Cited**

**U.S. PATENT DOCUMENTS**

1,316,683 A	9/1919	Calvert	
D212,104 S	8/1968	McDonald	
D268,437 S	3/1983	Giordano	
D481,771 S	11/2003	Anderson	
D502,747 S	3/2005	Anderson	
D505,459 S	5/2005	Lagattuta	
D522,594 S	6/2006	Donahue	
D522,595 S	6/2006	Donahue	
D571,418 S	6/2008	Gormley	
7,381,157 B2 *	6/2008	Blateri	A63B 21/075 482/106
D616,949 S	6/2010	Wang	
D628,251 S *	11/2010	Krull	D21/682

FIG. 1 is a perspective view of a kettlebell handle, showing  
my new design as fitted with weights partially broken away;  
FIG. 2 is a perspective view of FIG. 1, but with the weights  
omitted;

FIG. 3 is a front elevational view thereof;

FIG. 4 is a rear elevational view thereof;

FIG. 5 is a left-side elevational view thereof;

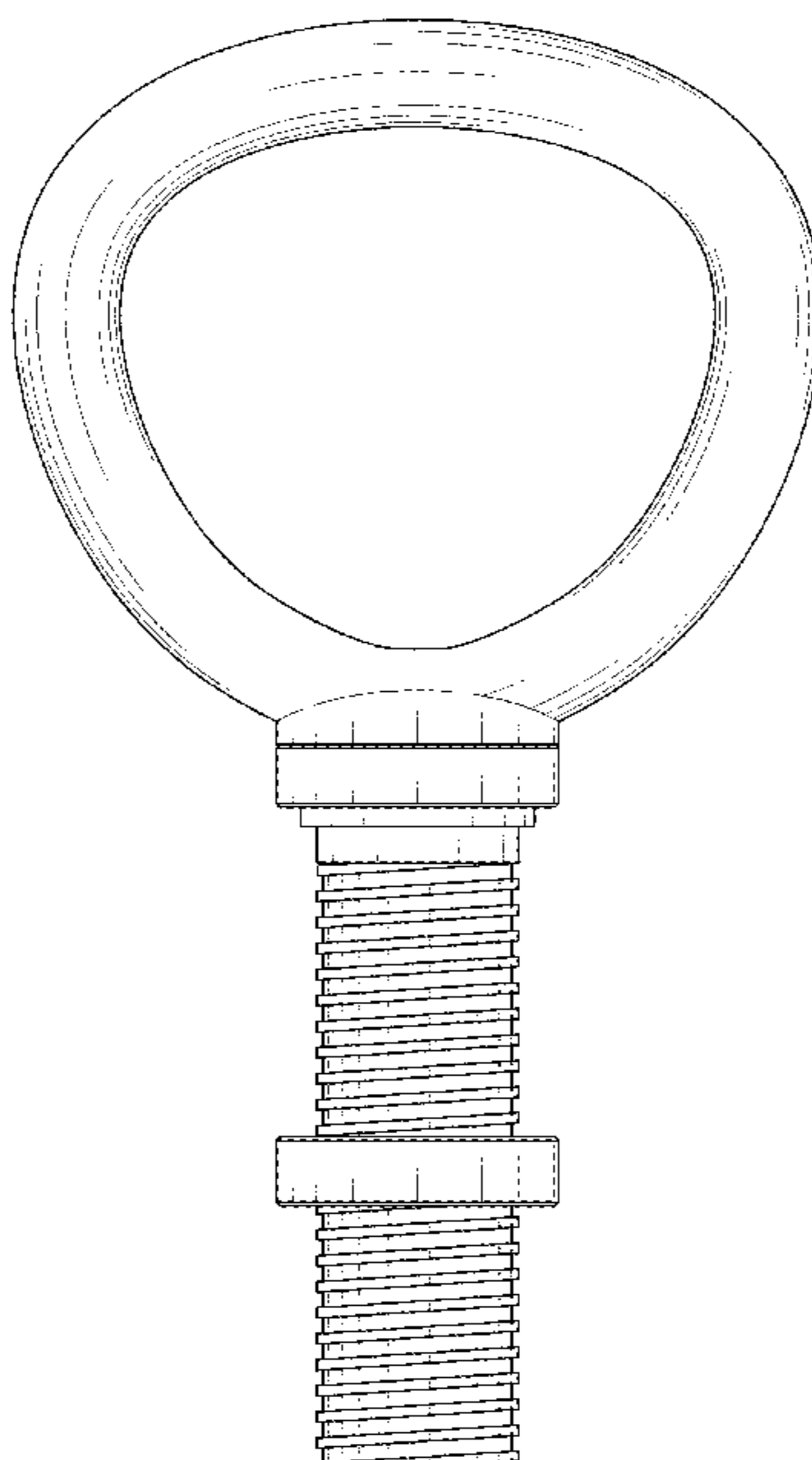
FIG. 6 is a right-side elevational view thereof;

FIG. 7 is a top plan view thereof; and,

FIG. 8 is a bottom plan view thereof.

The broken lines showing weights in FIG. 1 depict envi-  
ronmental matter and form no part of the claimed design.

**1 Claim, 6 Drawing Sheets**



(56)

**References Cited**

U.S. PATENT DOCUMENTS

D726,843	S	4/2015	Barton	
D728,040	S	4/2015	Peterson	
D730,459	S	5/2015	Tumminia	
D752,159	S	3/2016	Anderson	
D796,592	S	9/2017	Towley	
9,795,823	B2	10/2017	Wyncott	
D804,592	S	12/2017	Wittmack	
D811,019	S	2/2018	Alton	
D818,546	S	5/2018	Martin	
D827,735	S	9/2018	Ross	
D827,736	S	9/2018	Meyer	
D832,942	S	11/2018	Arceta	
10,166,429	B2 *	1/2019	Chen .....	A63B 21/0728
D843,508	S	3/2019	Pawlas	
D843,511	S	3/2019	Harrison	
D844,718	S	4/2019	Buikema	
D877,824	S *	3/2020	Chiang .....	D21/680
D879,888	S *	3/2020	Flick .....	D21/680
D879,891	S *	3/2020	Sundblad .....	D21/694
10,603,537	B2 *	3/2020	Collier .....	A63B 21/072
D884,097	S *	5/2020	Ameri .....	D21/694
2007/0135274	A1	6/2007	Blateri	
2017/0246495	A1	8/2017	Wyncott	
2019/0217146	A1	7/2019	Sisler	
2019/0344113	A1	11/2019	Tran	
2020/0078632	A1	3/2020	Owusu	

\* cited by examiner

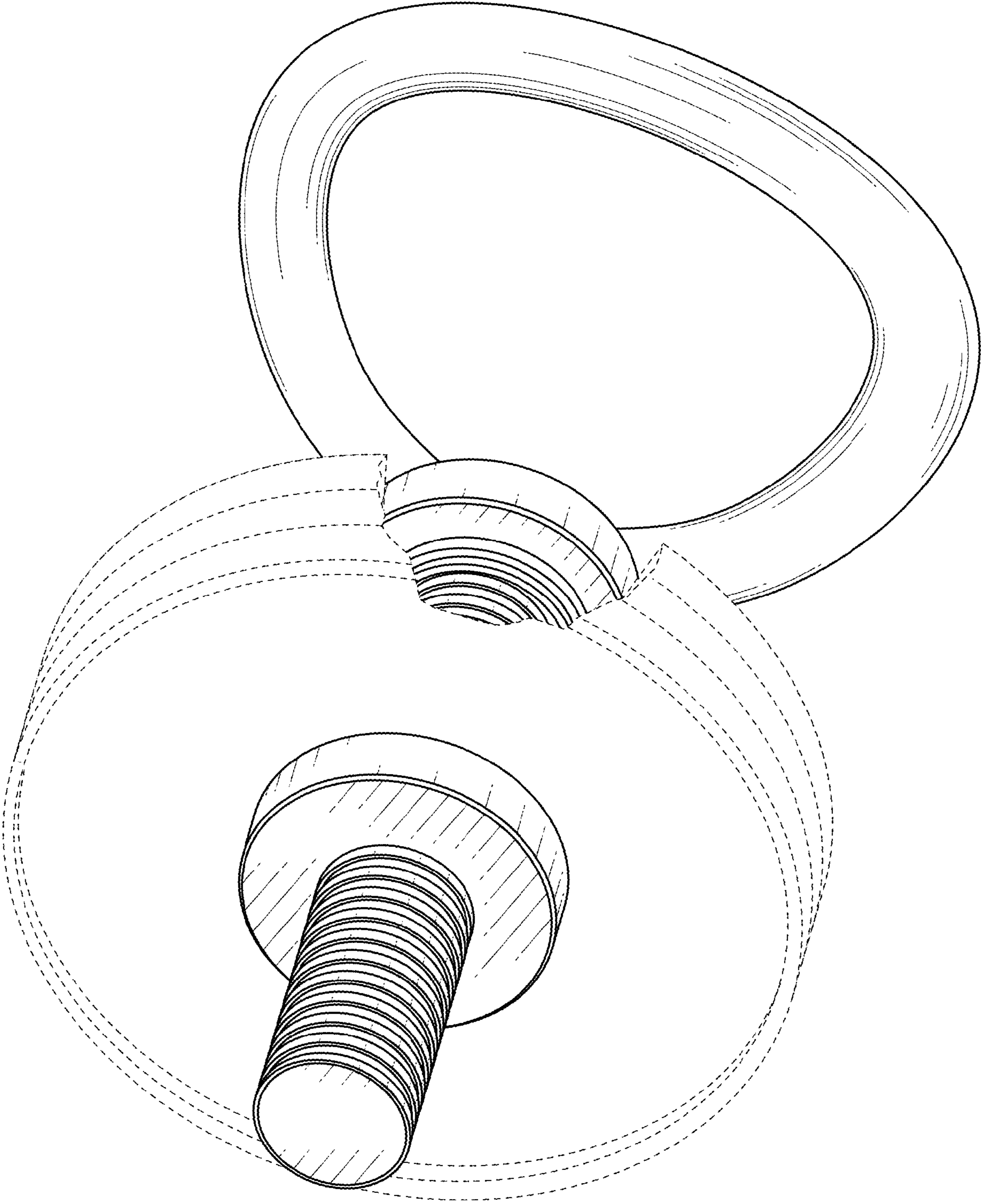


FIG. 1

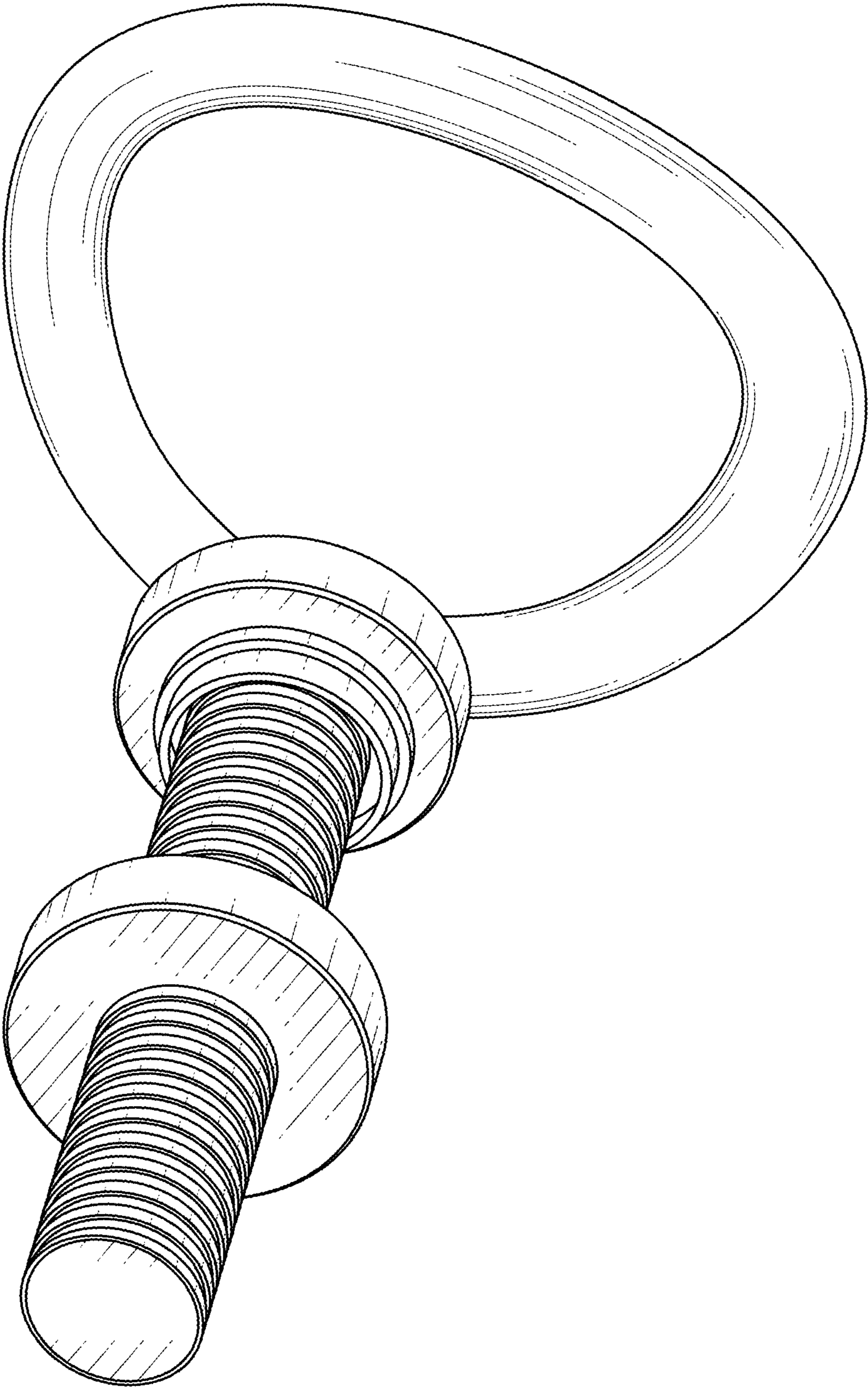


FIG. 2



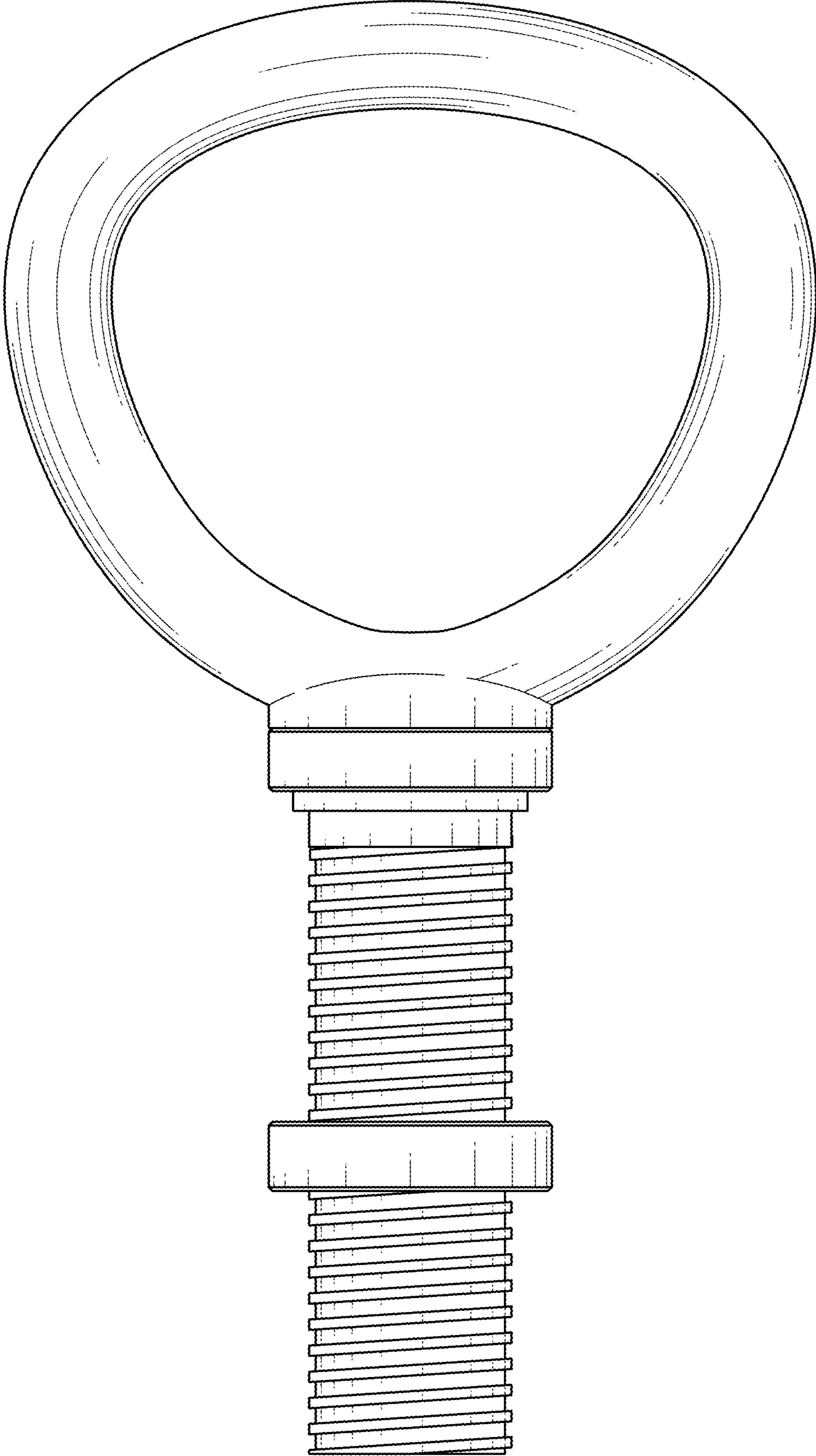


FIG. 3

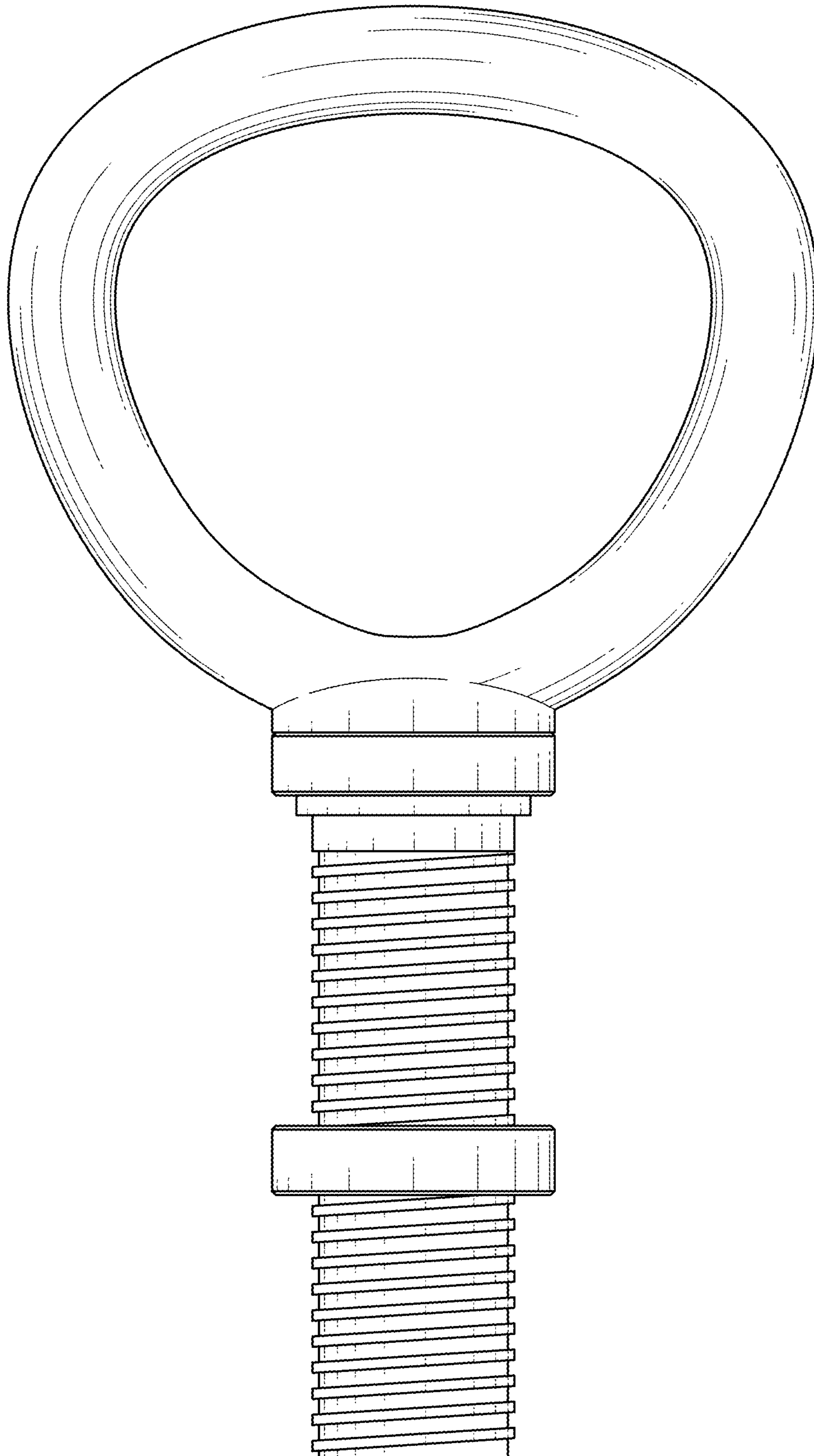


FIG. 4

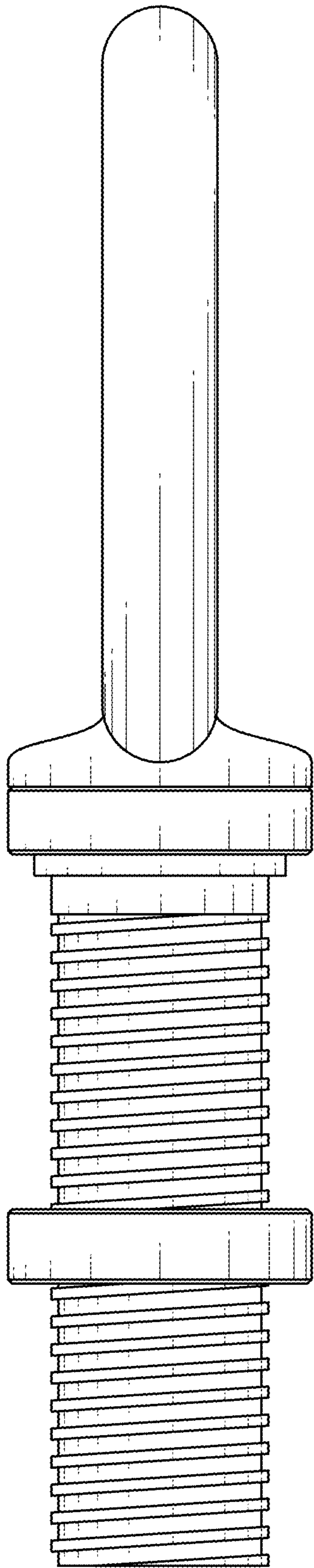


FIG. 5

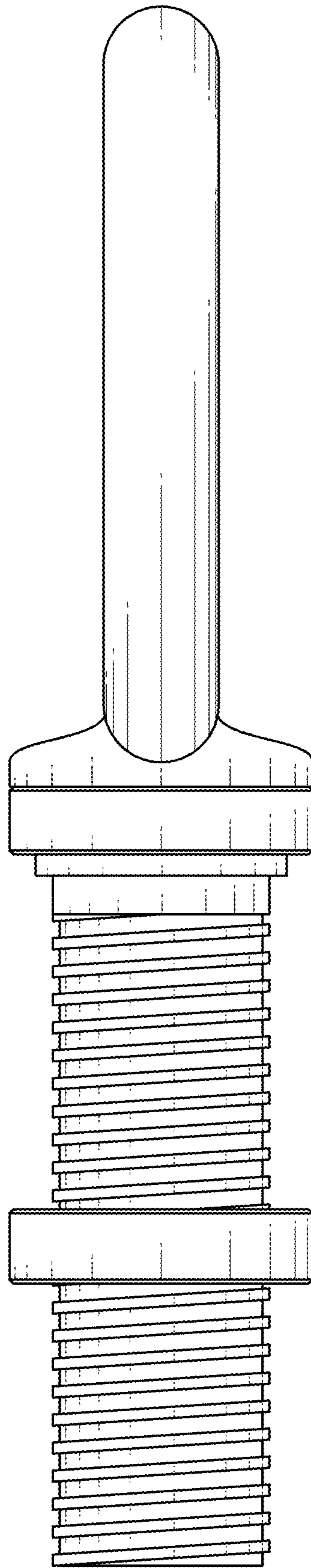


FIG. 6

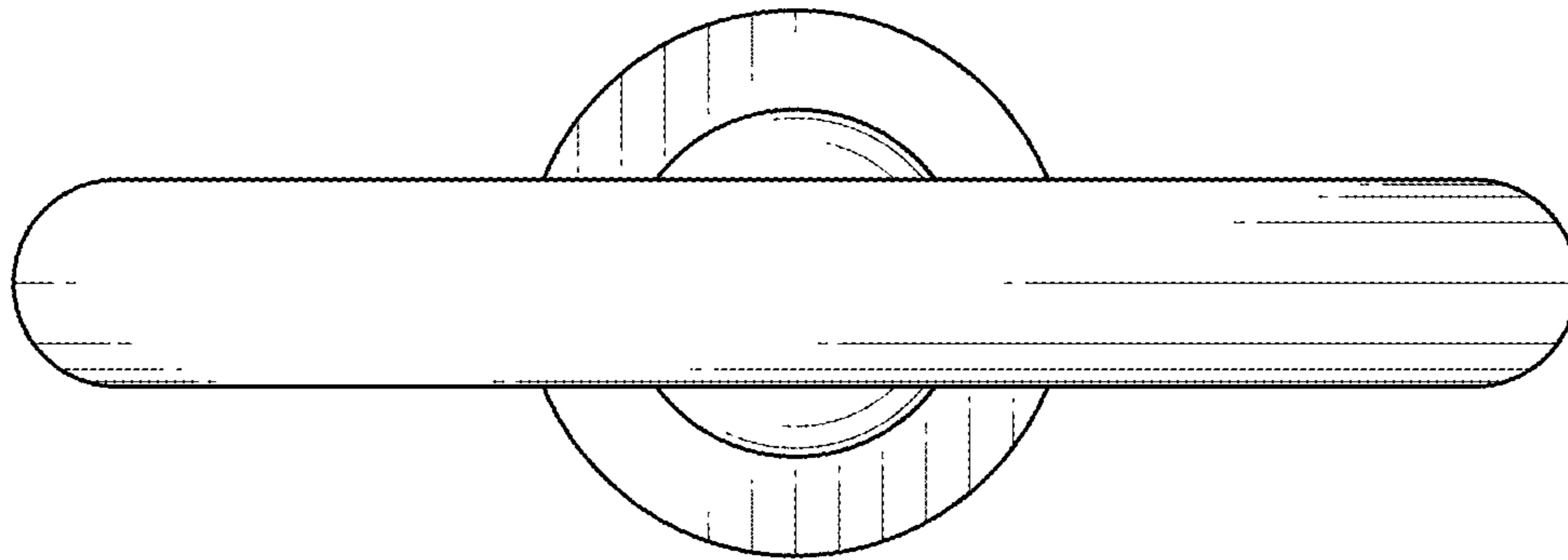


FIG. 7

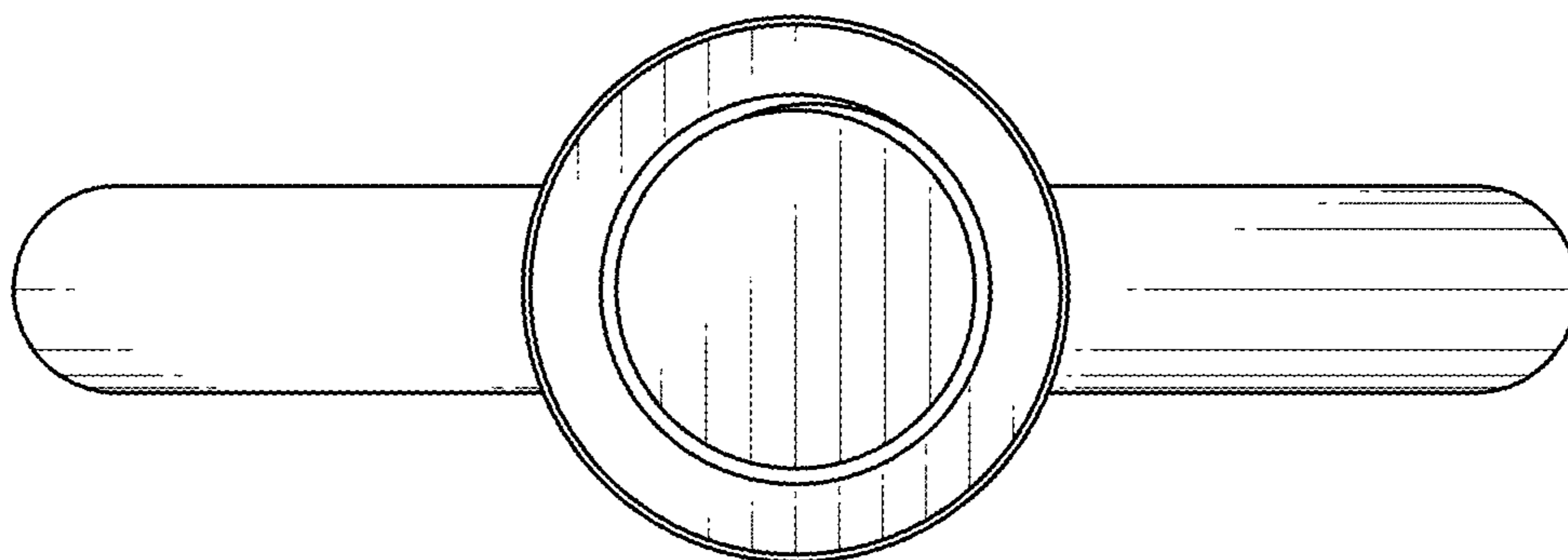


FIG. 8