



US00D896324S

(12) **United States Design Patent**
Yu

(10) **Patent No.:** **US D896,324 S**
(45) **Date of Patent:** **** Sep. 15, 2020**

- (54) **DUMBBELL**
- (71) Applicant: **Yu-Chen Yu**, Hsinchu (TW)
- (72) Inventor: **Yu-Chen Yu**, Hsinchu (TW)
- (**) Term: **15 Years**
- (21) Appl. No.: **29/679,928**
- (22) Filed: **Feb. 12, 2019**
- (51) **LOC (12) Cl.** **21-02**
- (52) **U.S. Cl.**
USPC **D21/681**
- (58) **Field of Classification Search**
USPC 482/49, 50, 93, 106, 108; D21/662, 679,
D21/680, 681, 682, 684
CPC A63B 21/0726; A63B 21/072; A63B
21/0722; A63B 21/4043; A63B 21/0728
See application file for complete search history.

(56) **References Cited**

U.S. PATENT DOCUMENTS

- 4,997,184 A * 3/1991 Sherman A63B 21/0602
482/108
- D380,511 S * 7/1997 Anthony, Jr. D21/681
- D409,266 S * 5/1999 Rojas D21/680
- 6,120,420 A * 9/2000 Pearson A63B 21/072
482/106
- 6,132,344 A * 10/2000 Vanderbleek A63B 21/072
482/108
- D444,516 S * 7/2001 Pearson D21/681
- 7,001,310 B1 * 2/2006 Brice A63B 21/075
482/106
- D528,611 S * 9/2006 Flick D21/681
- 7,137,931 B2 * 11/2006 Liu A63B 21/0728
482/107
- D545,927 S * 7/2007 Lien D21/681
- D546,908 S * 7/2007 Lien D21/681
- D562,920 S * 2/2008 Hillson D21/681
- D567,311 S * 4/2008 Hillson D21/681

- D574,450 S * 8/2008 Januszek A63B 21/072
D21/681
- 7,549,952 B2 * 6/2009 Towley, III A63B 21/075
482/108
- D597,613 S * 8/2009 Hillson D21/681
- 7,588,519 B2 * 9/2009 McClusky A63B 21/06
482/106
- D624,614 S * 9/2010 Lien D21/681
- D628,248 S * 11/2010 Januszek D21/681
- D628,250 S * 11/2010 Januszek D21/681
- D628,661 S * 12/2010 Januszek D21/681
- 7,862,487 B2 * 1/2011 Olson A63B 21/075
482/108
- D663,795 S * 7/2012 Hillson D21/681
- D685,441 S * 7/2013 Januszek D21/681
- D685,442 S * 7/2013 Childs D21/681
- D692,072 S * 10/2013 Childs D21/681
- 8,652,016 B2 * 2/2014 Grand A63B 21/075
482/106
- 8,992,396 B2 * 3/2015 Wang A63B 21/0726
482/106
- D802,064 S * 11/2017 Hillson D21/681
- 2002/0128127 A1 * 9/2002 Chen A63B 21/0726
482/106

(Continued)

Primary Examiner — Cynthia Ramirez

Assistant Examiner — Michael A Maharajh

(74) *Attorney, Agent, or Firm* — Chun-Ming Shih

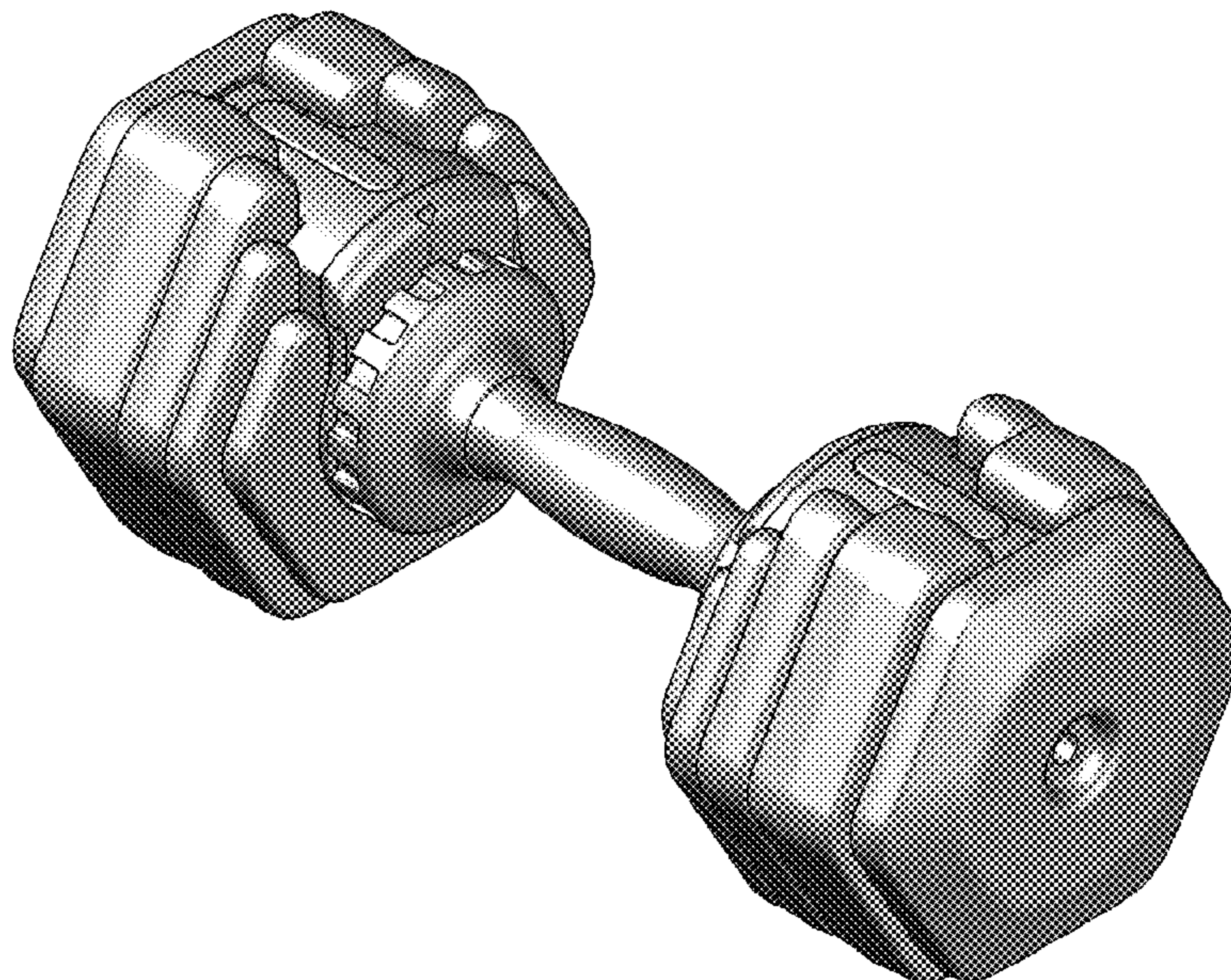
(57) **CLAIM**

The ornamental design for a dumbbell, as shown and described.

DESCRIPTION

FIG. 1 is a perspective view of the dumbbell showing my new design;
FIG. 2 is a front view thereof;
FIG. 3 is a left side view thereof;
FIG. 4 is a top view thereof; and,
FIG. 5 is a bottom view thereof.

1 Claim, 5 Drawing Sheets



(56)

References Cited

U.S. PATENT DOCUMENTS

<p>2002/0183174 A1* 12/2002 Chen A63B 21/075 482/108</p> <p>2003/0232705 A1* 12/2003 Harms A63B 21/0728 482/108</p> <p>2004/0005968 A1* 1/2004 Crawford A63B 21/0607 482/106</p> <p>2006/0240959 A1* 10/2006 Huang A63B 21/0726 482/108</p> <p>2007/0225132 A1* 9/2007 Liu A63B 21/0728 482/106</p> <p>2009/0042700 A1* 2/2009 Liu A63B 21/0728 482/107</p> <p>2009/0247369 A1* 10/2009 Chang A63B 21/06 482/49</p> <p>2011/0009247 A1* 1/2011 Januszek A63B 21/0726 482/108</p>	<p>2012/0295774 A1* 11/2012 Dalebout A63B 21/00058 482/106</p> <p>2012/0295775 A1* 11/2012 Reid A63B 21/0726 482/108</p> <p>2013/0324375 A1* 12/2013 Svenberg A63B 21/0726 482/108</p> <p>2014/0005013 A1* 1/2014 Kassemi A63B 21/0726 482/108</p> <p>2014/0057762 A1* 2/2014 Olivarez A63B 21/072 482/106</p> <p>2014/0243169 A1* 8/2014 Justice A63B 21/0726 482/108</p> <p>2016/0166873 A1* 6/2016 Liu A63B 21/0726 482/107</p> <p>2017/0095687 A1* 4/2017 Sonnon A63B 21/0722</p> <p>2017/0361148 A1* 12/2017 Black A63B 21/0726</p> <p>2019/0126124 A1* 5/2019 Vigiano A63B 21/4043</p> <p>2019/0299047 A1* 10/2019 Nalley A63B 21/075</p>
--	---

* cited by examiner

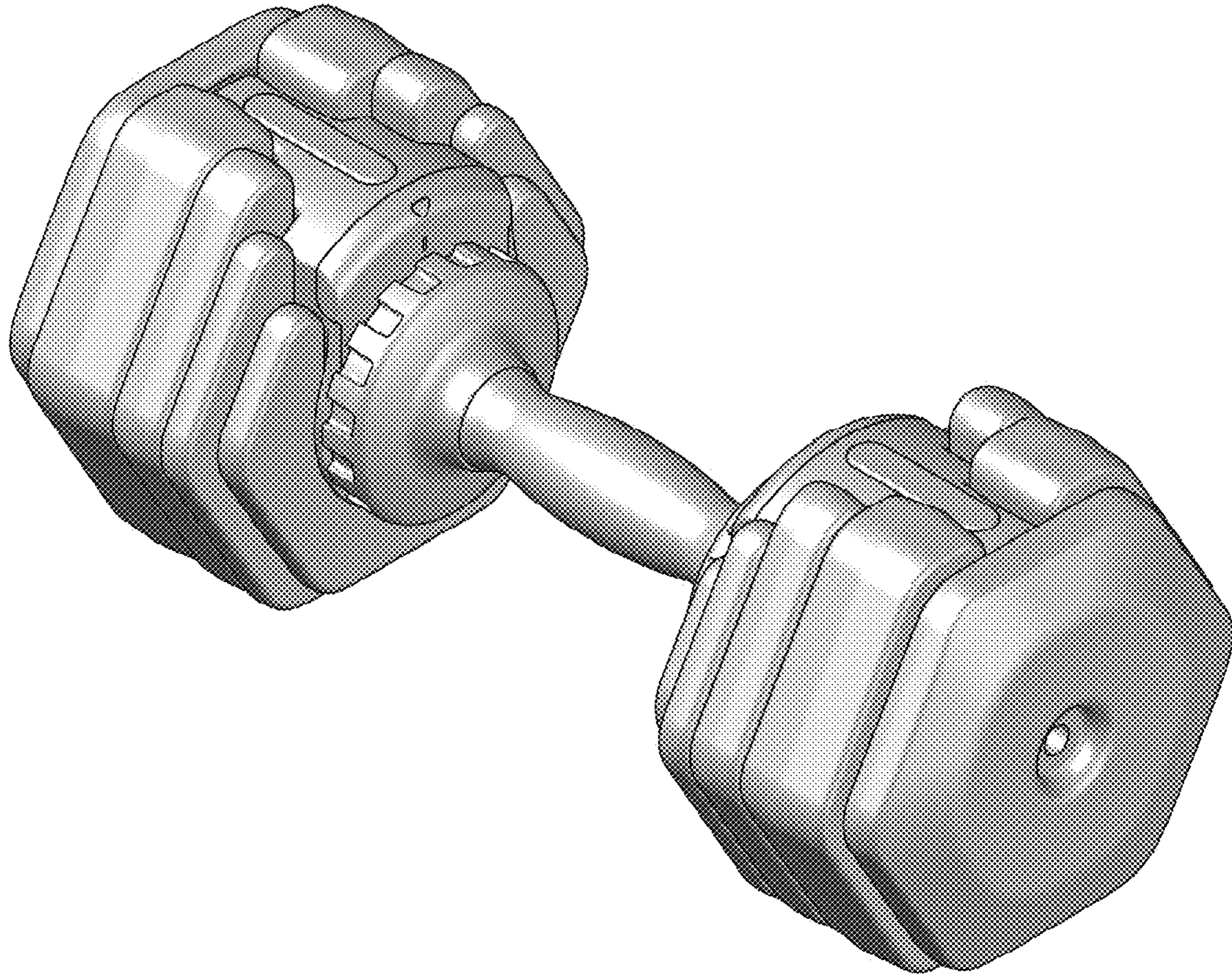


Fig.1

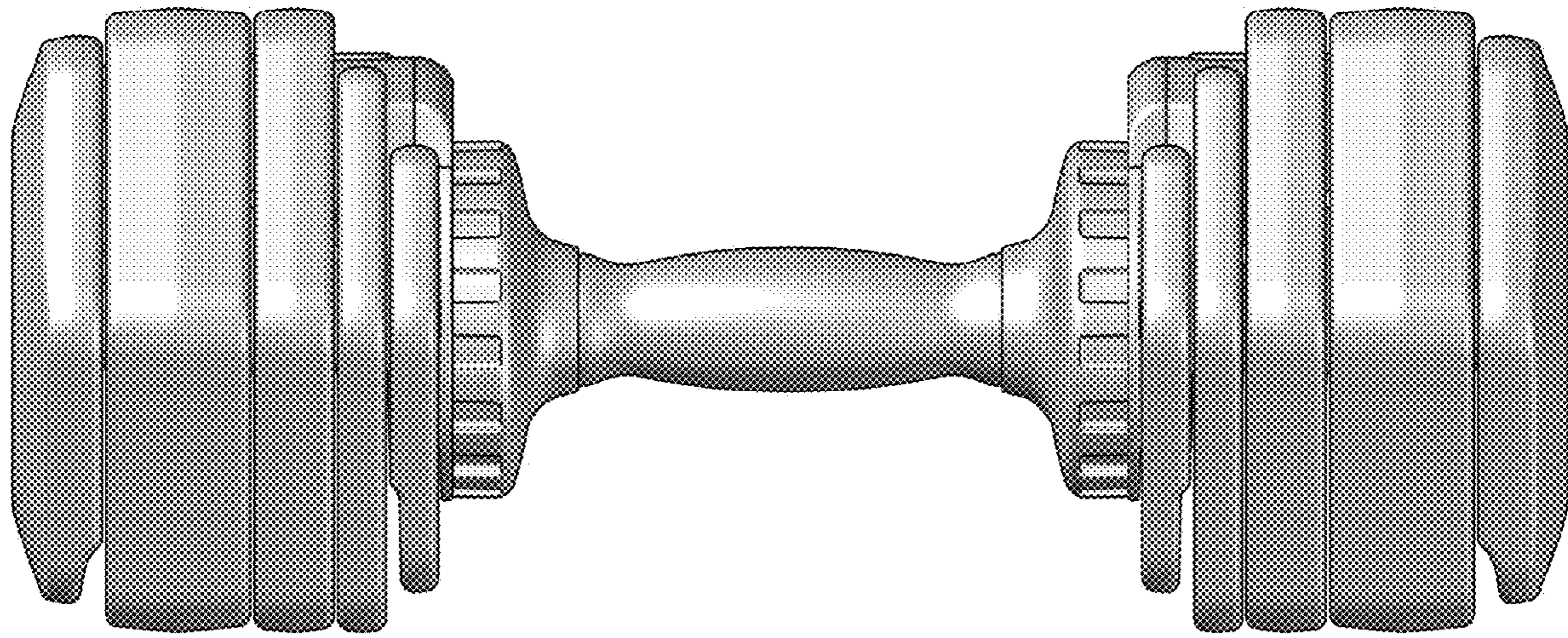


Fig.2

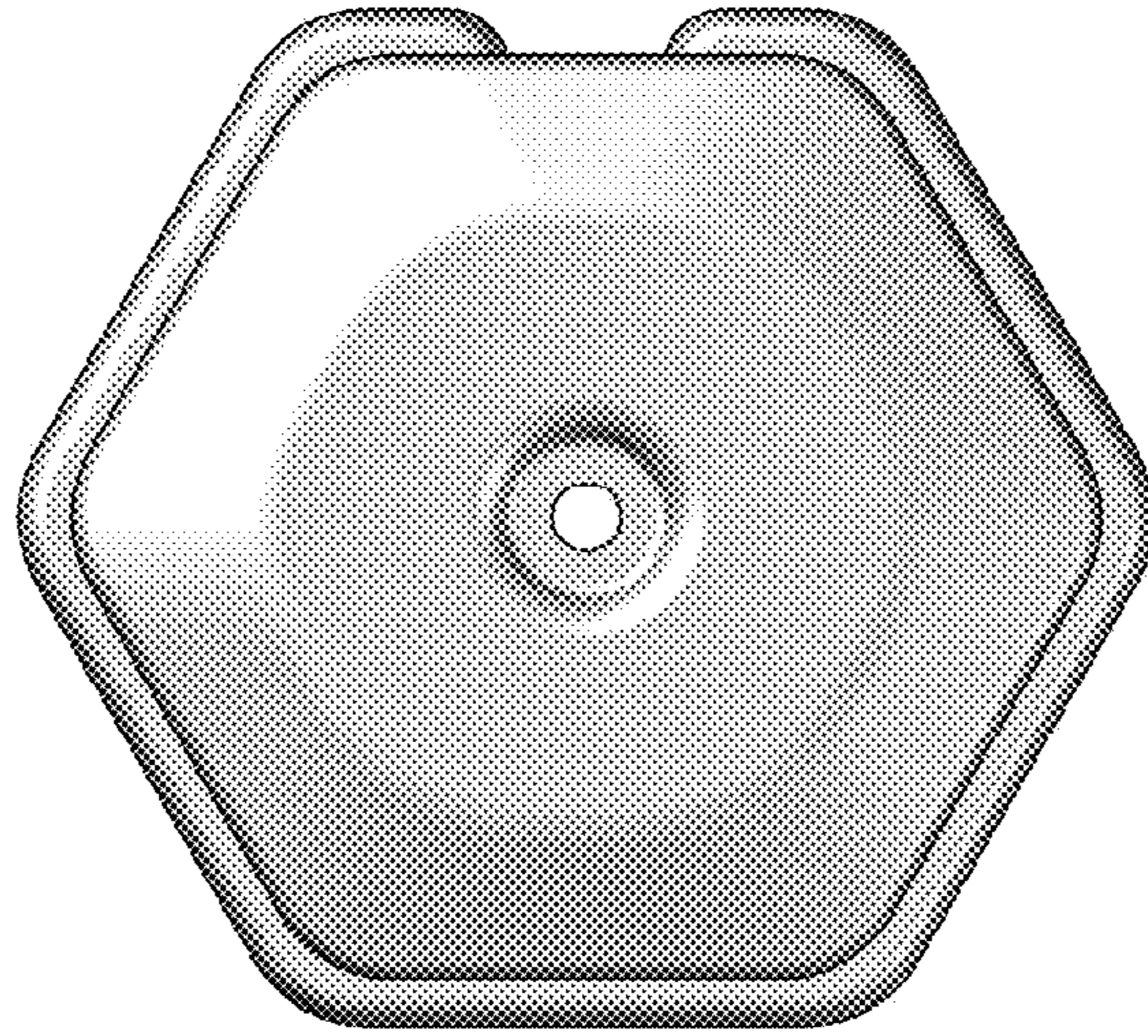


Fig.3

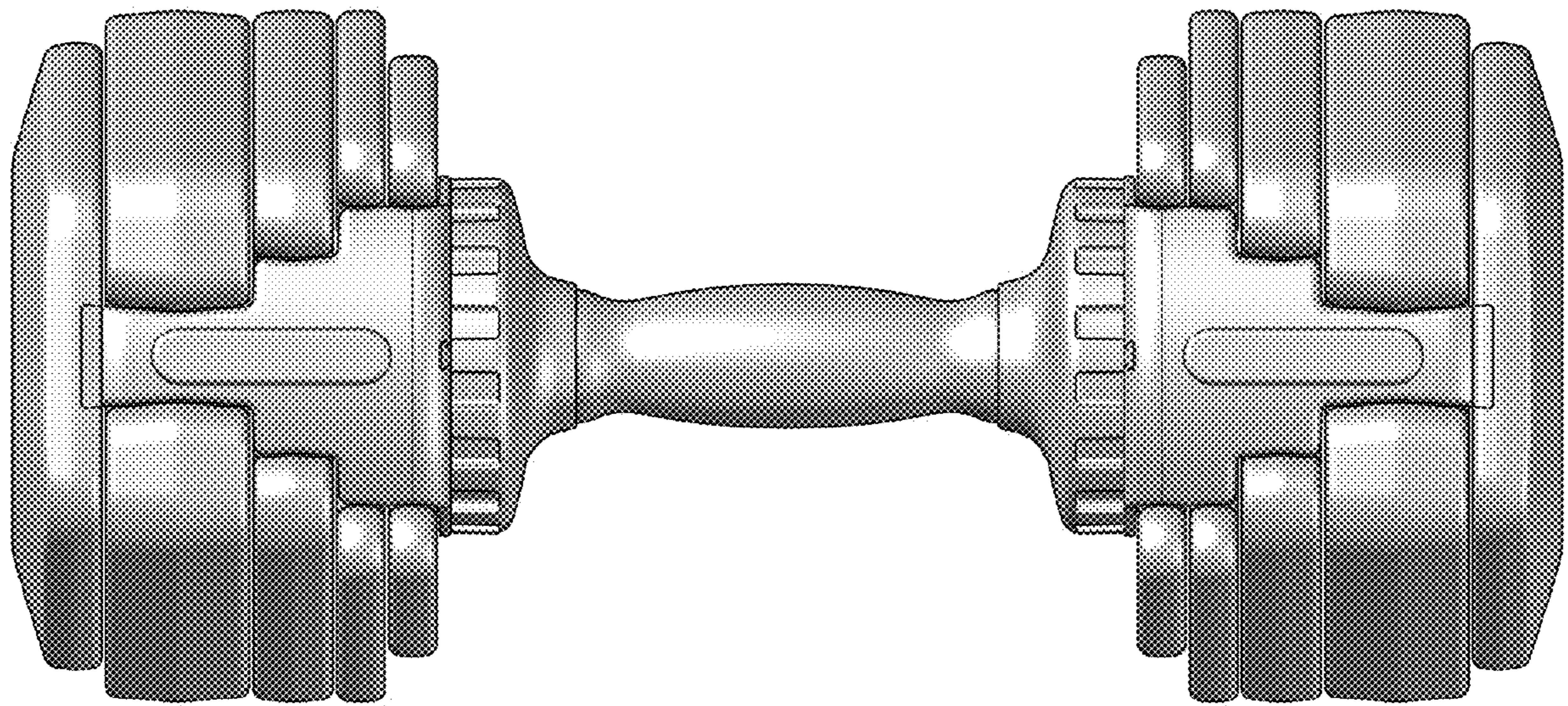


Fig.4

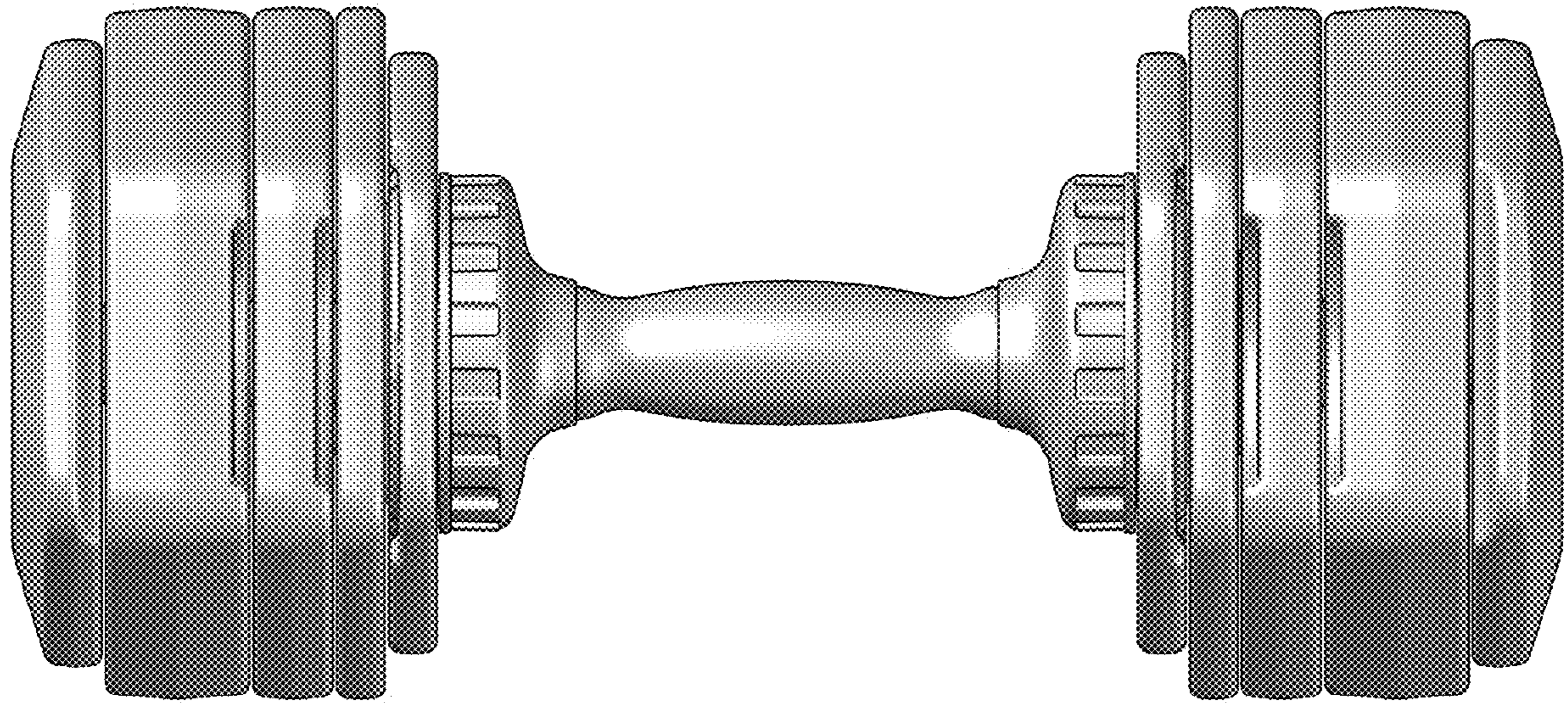


Fig.5