



US00D896323S

(12) **United States Design Patent**
Kamiyama

(10) **Patent No.:** **US D896,323 S**

(45) **Date of Patent:** **** Sep. 15, 2020**

(54) **TOY CAR**

(71) Applicant: **EPOCH COMPANY LTD**, Tokyo (JP)

(72) Inventor: **Kei Kamiyama**, Tokyo (JP)

(73) Assignee: **EPOCH COMPANY LTD**, Tokyo (JP)

(**) Term: **15 Years**

(21) Appl. No.: **29/681,207**

(22) Filed: **Feb. 22, 2019**

(30) **Foreign Application Priority Data**

Aug. 31, 2018 (JP) 2018-019026

(51) **LOC (12) Cl.** **21-01**

(52) **U.S. Cl.**
USPC **D21/533**; D21/548; D21/550

(58) **Field of Classification Search**
USPC D21/483, 533-562; D12/82, 86, 90, 91,
D12/92
CPC B62D 25/00; B62D 35/00; A63H 17/262;
A63H 17/00; A63H 3/20; A63H 3/46;
A63H 7/02; A63H 17/26; A63H 17/38
See application file for complete search history.

(56) **References Cited**

U.S. PATENT DOCUMENTS

D87,517 S *	8/1932	Hoffman	D12/92
D90,961 S *	10/1933	Smith	D21/548
D134,317 S *	11/1942	Duncan, Jr.	D12/92
D232,029 S *	7/1974	Glass et al.	D21/548
D274,420 S *	6/1984	Buehrig	D12/92
D366,296 S *	1/1996	Novak	D21/548
D424,981 S *	5/2000	Cook	D12/91
D446,168 S *	8/2001	Boyanich, Sr.	D12/92
D450,284 S *	11/2001	Caroselli	D12/196
D522,918 S *	6/2006	Khouri	D12/92

D569,309 S *	5/2008	Gueorguiev	D12/92
D626,889 S *	11/2010	Shepard	D12/92
D678,962 S *	3/2013	Tsuchiya	D21/551
D683,267 S *	5/2013	Cook	D12/92
D750,533 S *	3/2016	Li	D12/92
10,159,235 B2 *	12/2018	McCain	A01K 89/01921

FOREIGN PATENT DOCUMENTS

CN 304438702 * 1/2018

OTHER PUBLICATIONS

Lansdowne Models, announced Apr. 5, 2019 [Online], [Site Visited Mar. 4, 2020] Available From Internet, URL: <<https://www.ebay.com/itm/Lansdowne-Models-1-43-Scale-LDM3A-1956-MG-Magnette-Z-Series-Island-Green-/163634906102>> (Year: 2019).*

(Continued)

Primary Examiner — Ian Simmons

Assistant Examiner — Donald B Rose, Jr.

(74) *Attorney, Agent, or Firm* — Fitzgerald IP Law; John K Fitzgerald, Esq.

(57) **CLAIM**

The ornamental design for a toy car, as shown and described.

DESCRIPTION

FIG. 1 is a front perspective view of a toy car showing my new design;

FIG. 2 is a rear perspective view thereof;

FIG. 3 is a right side view thereof;

FIG. 4 is a left side view thereof;

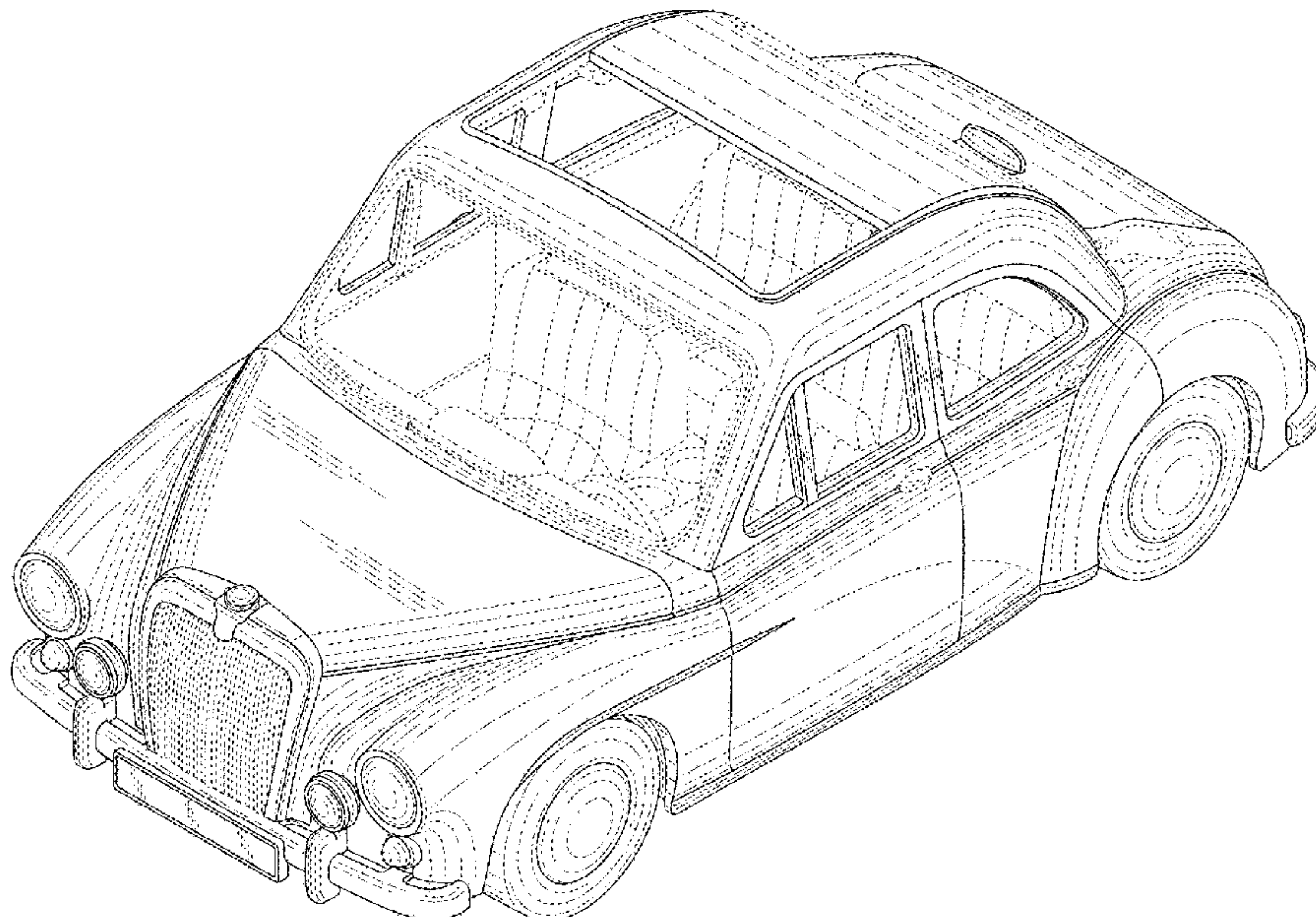
FIG. 5 is a front view thereof;

FIG. 6 is a rear view thereof; and,

FIG. 7 is a top view thereof.

The broken lines shown are included for the purpose of illustrating portions of the article which form no part of the claimed design.

1 Claim, 7 Drawing Sheets



(56)

References Cited

OTHER PUBLICATIONS

Oxford Diecast, announced Sep. 13, 2016 [Online], [Site Visited Mar. 12, 2020] Available From Internet, URL: <https://www.oxforddiecast.co.uk/collections/mg/products/mg-za-magnette_northumberland-county-constabulary-mgz003> (Year: 2016).*

1958 MG Magnette For Sale, announced Mar. 1, 2020 [Online], [Site Visited Mar. 12, 2020] Available From Internet, URL: <<https://www.carandclassic.co.uk/car/C1207564>> (Year: 2020).*

* cited by examiner

FIG. 1

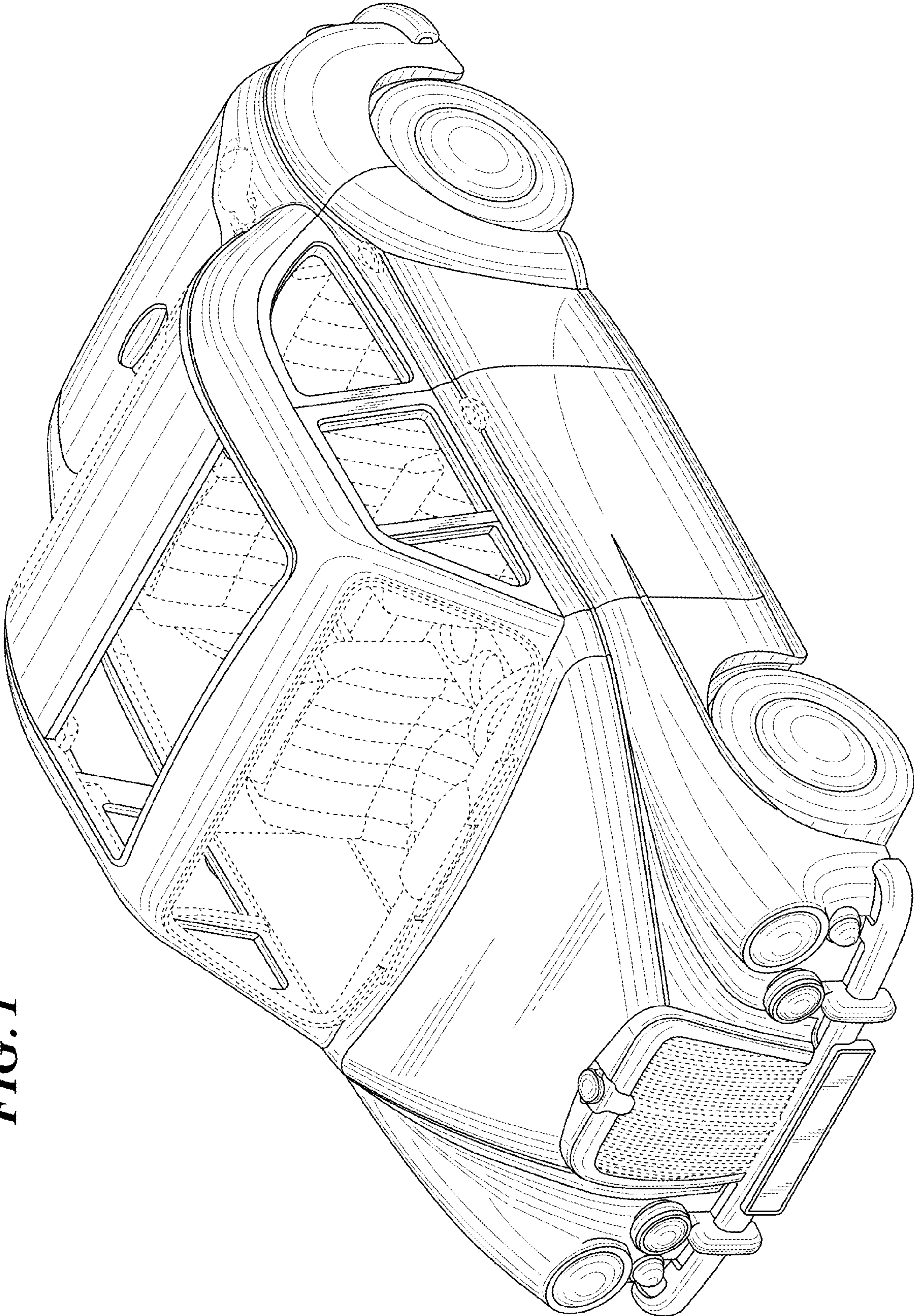


FIG. 2

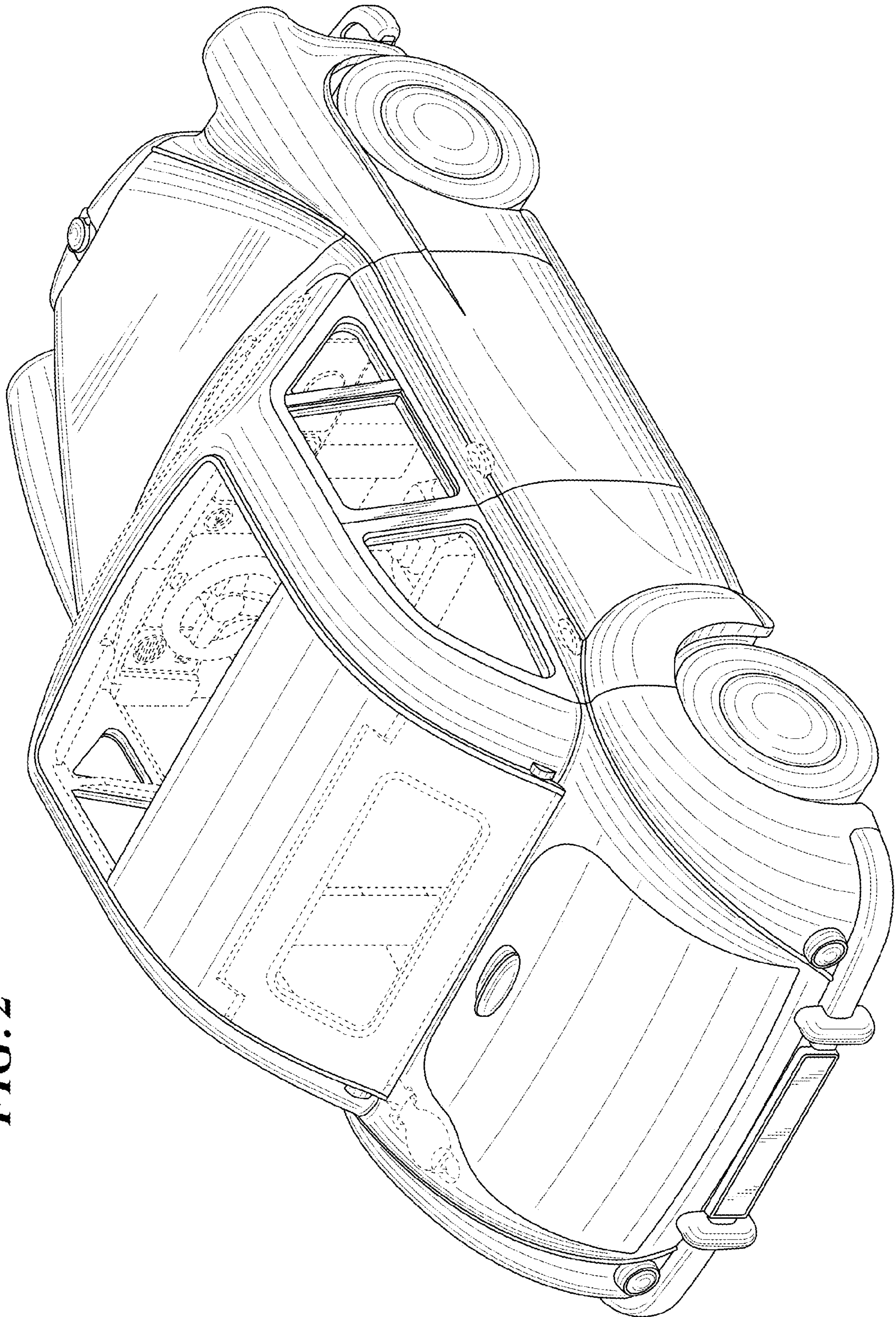


FIG. 3

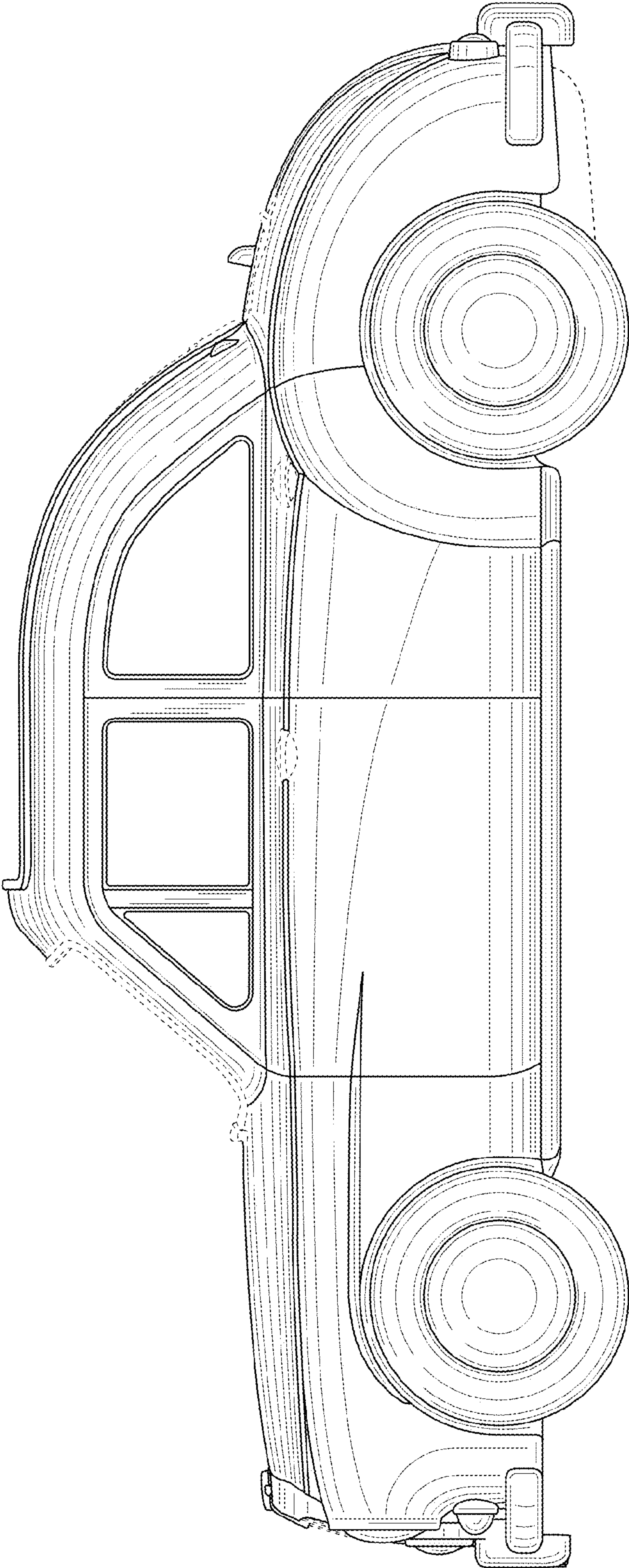


FIG. 4

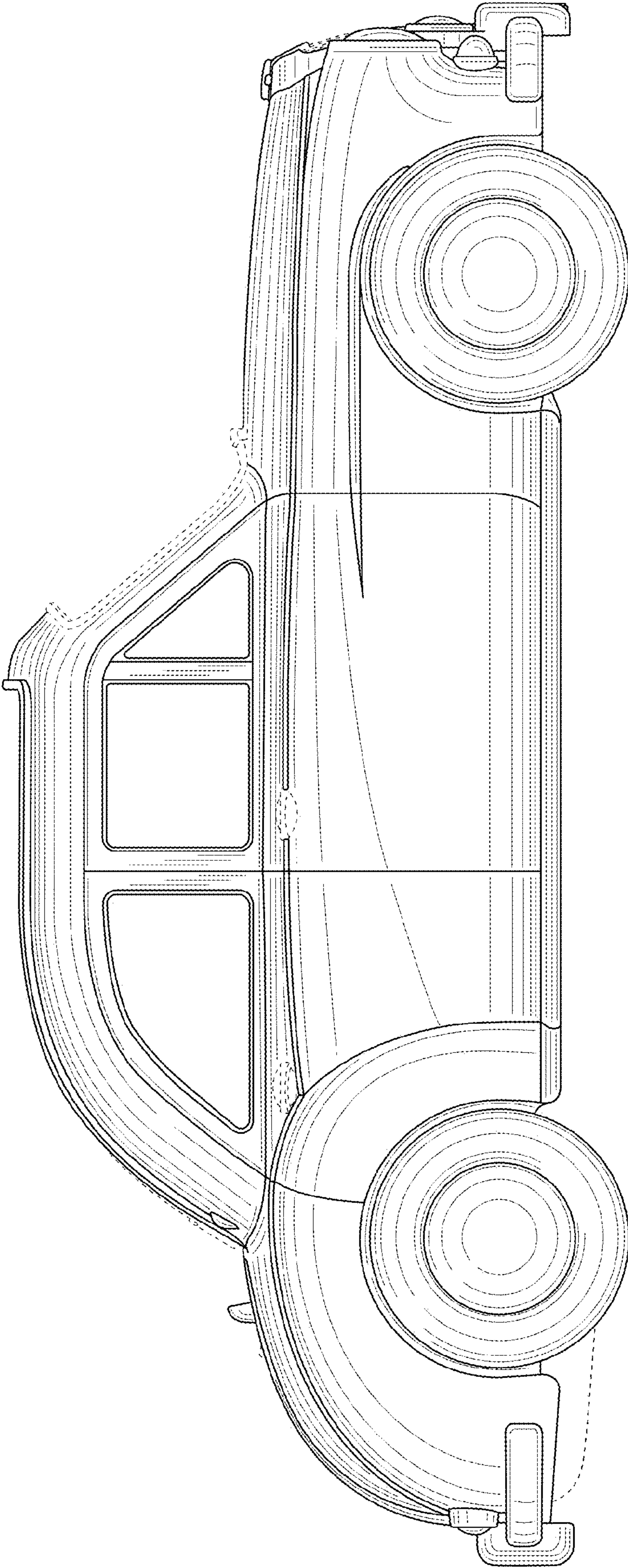


FIG. 5

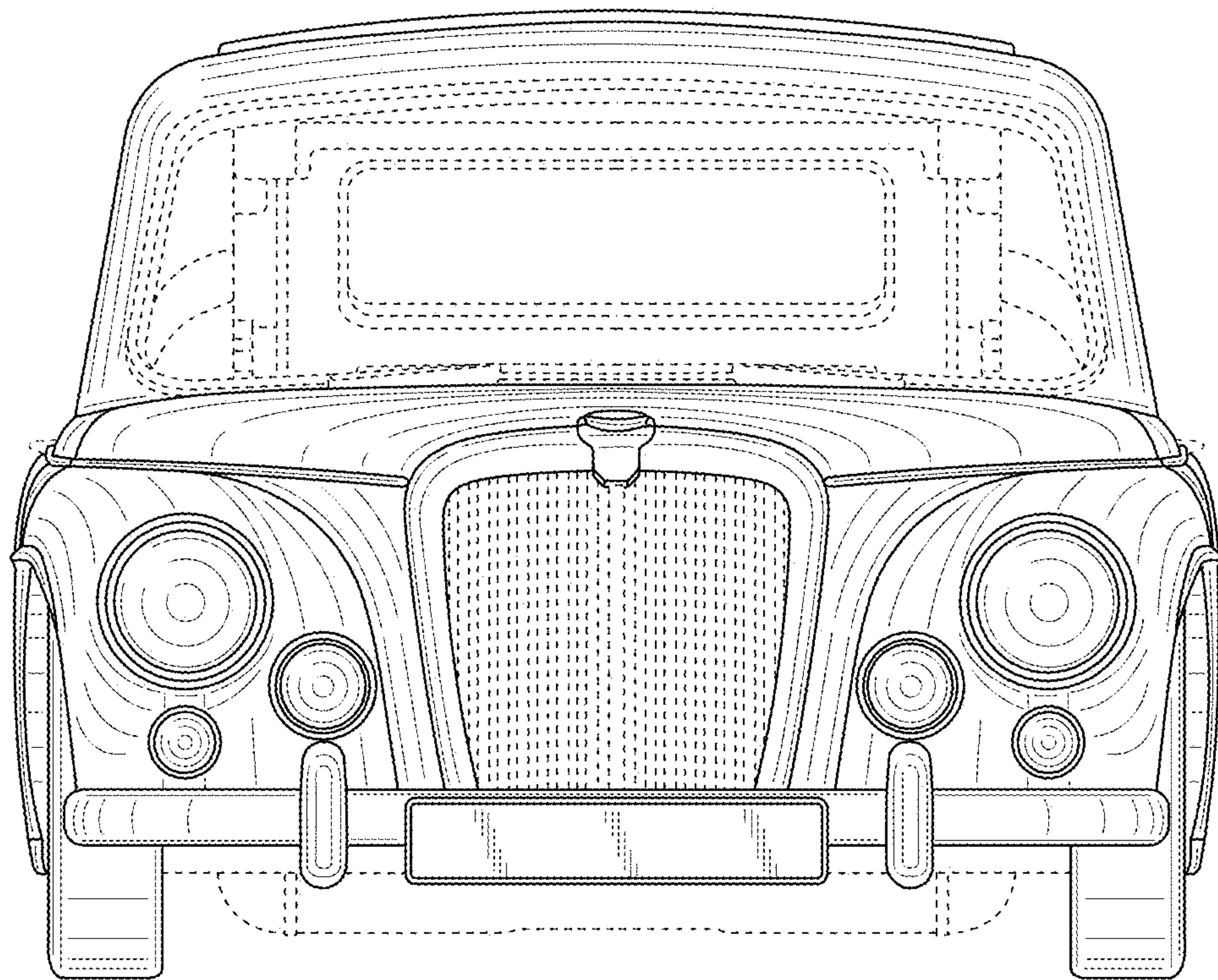


FIG. 6

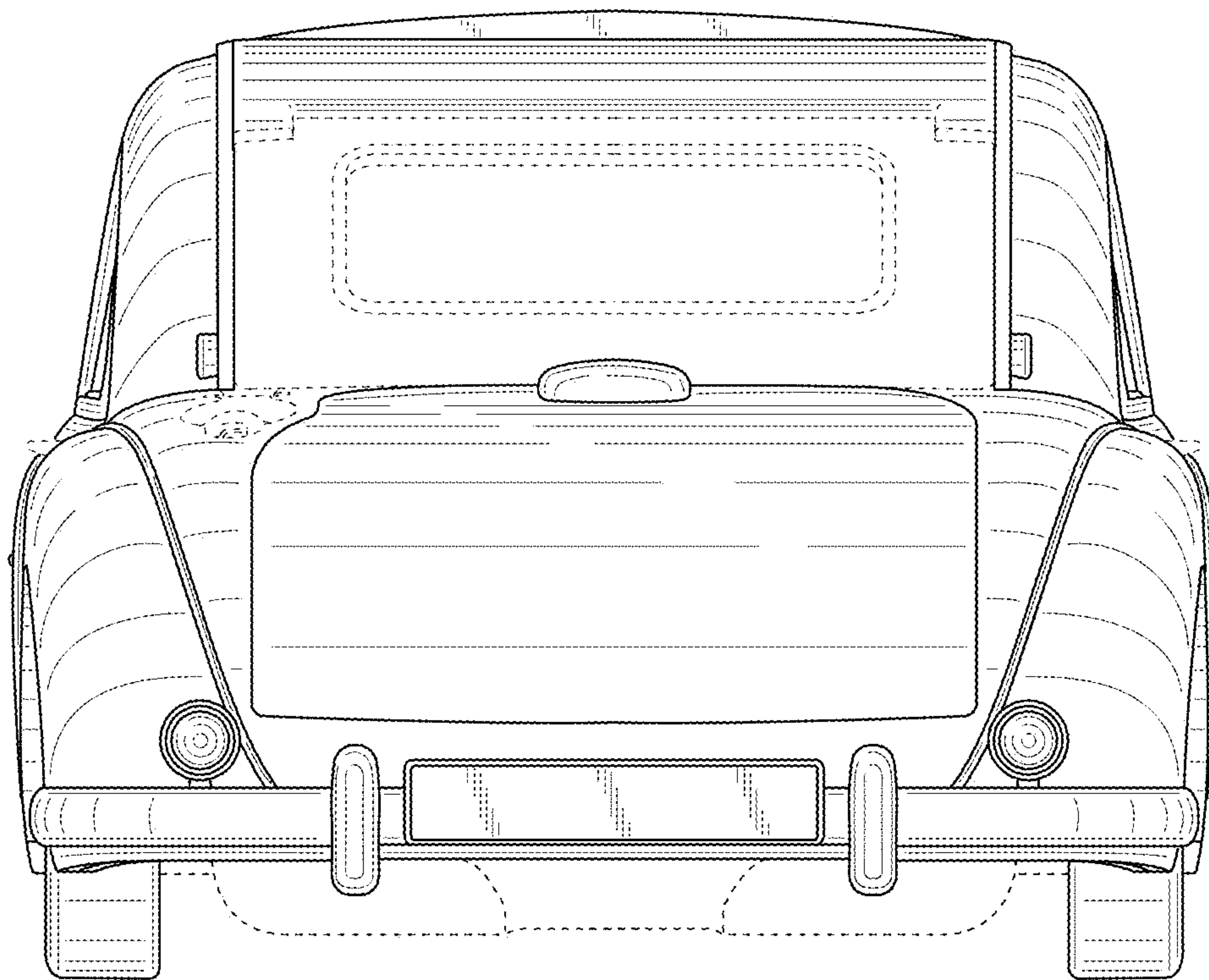


FIG. 7

