



US00D896320S

(12) **United States Design Patent** (10) **Patent No.:** **US D896,320 S**  
**Fouts et al.** (45) **Date of Patent:** **\*\* Sep. 15, 2020**

(54) **FLASHLIGHT TOY**  
(71) Applicant: **Lovevery, Inc.**, Boise, ID (US)  
(72) Inventors: **Philip J. Fouts**, Boise, ID (US);  
**Thomas Creason Rigby**, Boise, ID (US)  
(73) Assignee: **Lovevery, Inc.**, Boise, ID (US)  
(\*\*) Term: **15 Years**  
(21) Appl. No.: **29/689,625**  
(22) Filed: **Apr. 30, 2019**  
(51) **LOC (12) Cl.** ..... **21-01**  
(52) **U.S. Cl.**  
USPC ..... **D21/483**; D26/49  
(58) **Field of Classification Search**  
USPC ..... D21/483; D26/48, 49  
CPC ..... A63H 33/22; A63H 3/006  
See application file for complete search history.

D403,447 S \* 12/1998 Parsons ..... D26/37  
D474,554 S \* 5/2003 Dalton ..... D26/49  
D488,245 S \* 4/2004 McDonald ..... D26/49  
D509,011 S \* 8/2005 Fritz ..... D26/49  
D597,235 S \* 7/2009 Chang ..... D26/49  
D629,543 S \* 12/2010 Deguglimo ..... D26/49  
D675,357 S \* 1/2013 Shi ..... D26/49  
D792,625 S \* 7/2017 Koshiba ..... D26/49  
D823,510 S \* 7/2018 Kunzendorf ..... D26/49  
D827,892 S \* 9/2018 Kunzendorf ..... D26/49  
2012/0315819 A1 \* 12/2012 Gandy ..... A63F 9/02  
446/175

\* cited by examiner

*Primary Examiner* — Cynthia M. Chin  
(74) *Attorney, Agent, or Firm* — Fish & Richardson P.C.

(57) **CLAIM**

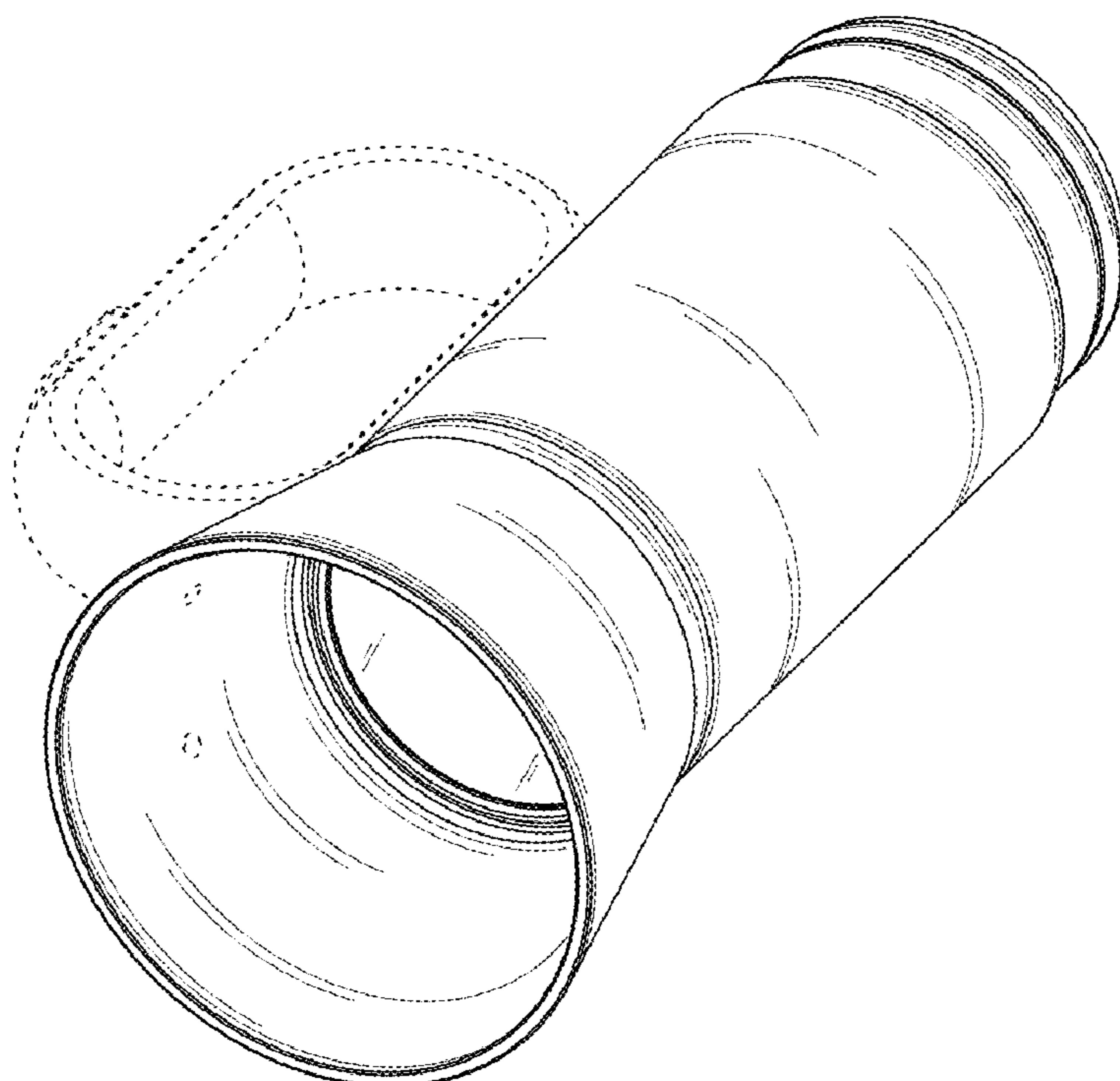
The ornamental design for a flashlight toy, as shown and described.

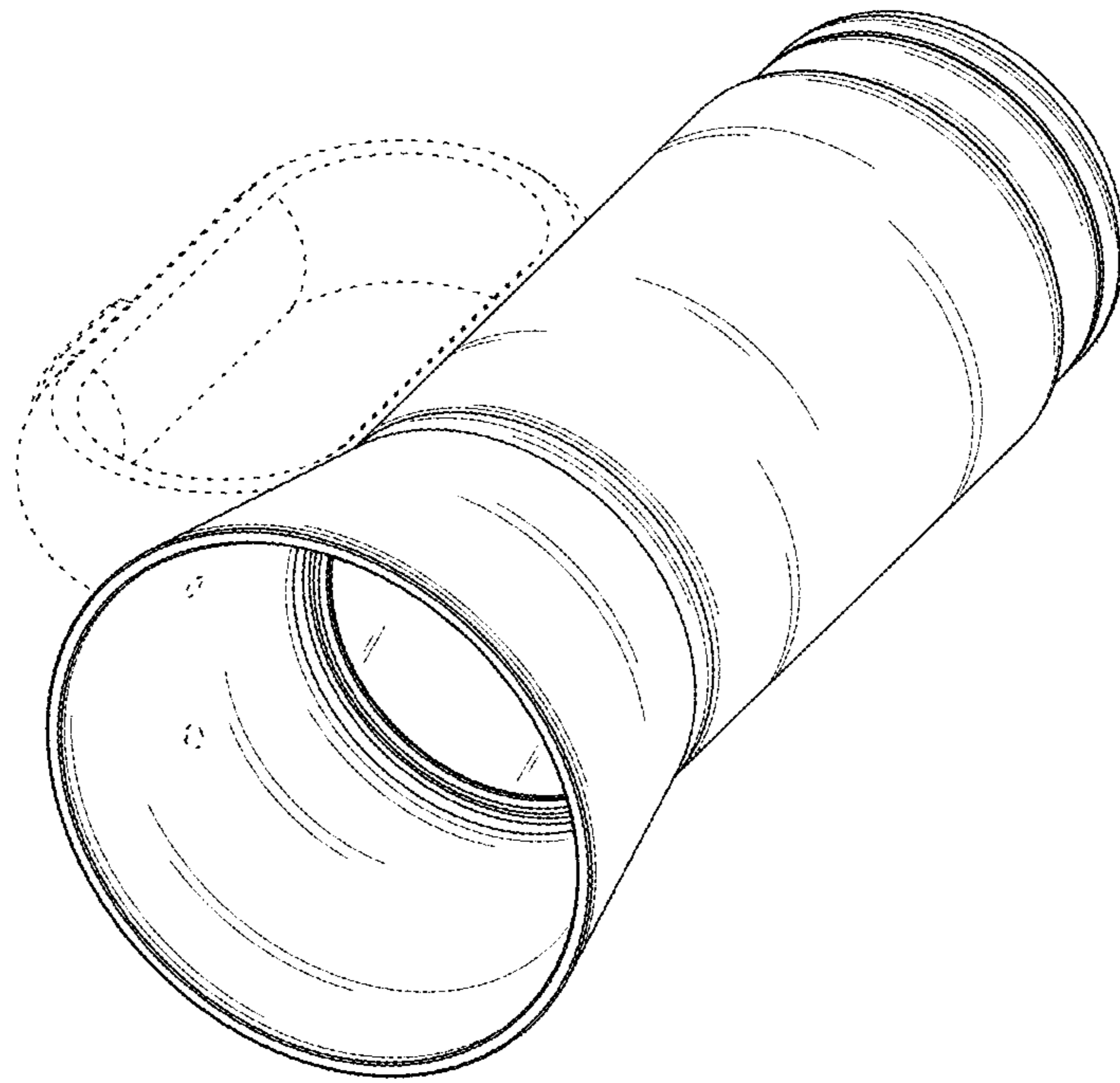
**DESCRIPTION**

FIG. 1 is a front perspective view of our flashlight toy.  
FIG. 2 is a front bottom perspective view thereof.  
FIG. 3 is a front view thereof.  
FIG. 4 is a back view thereof.  
FIG. 5 is a right side view thereof.  
FIG. 6 is a left side view thereof.  
FIG. 7 is a top view thereof; and,  
FIG. 8 is a bottom view thereof.  
The broken lines are for the purpose of illustrating portions of the article that form no part of the claimed design.

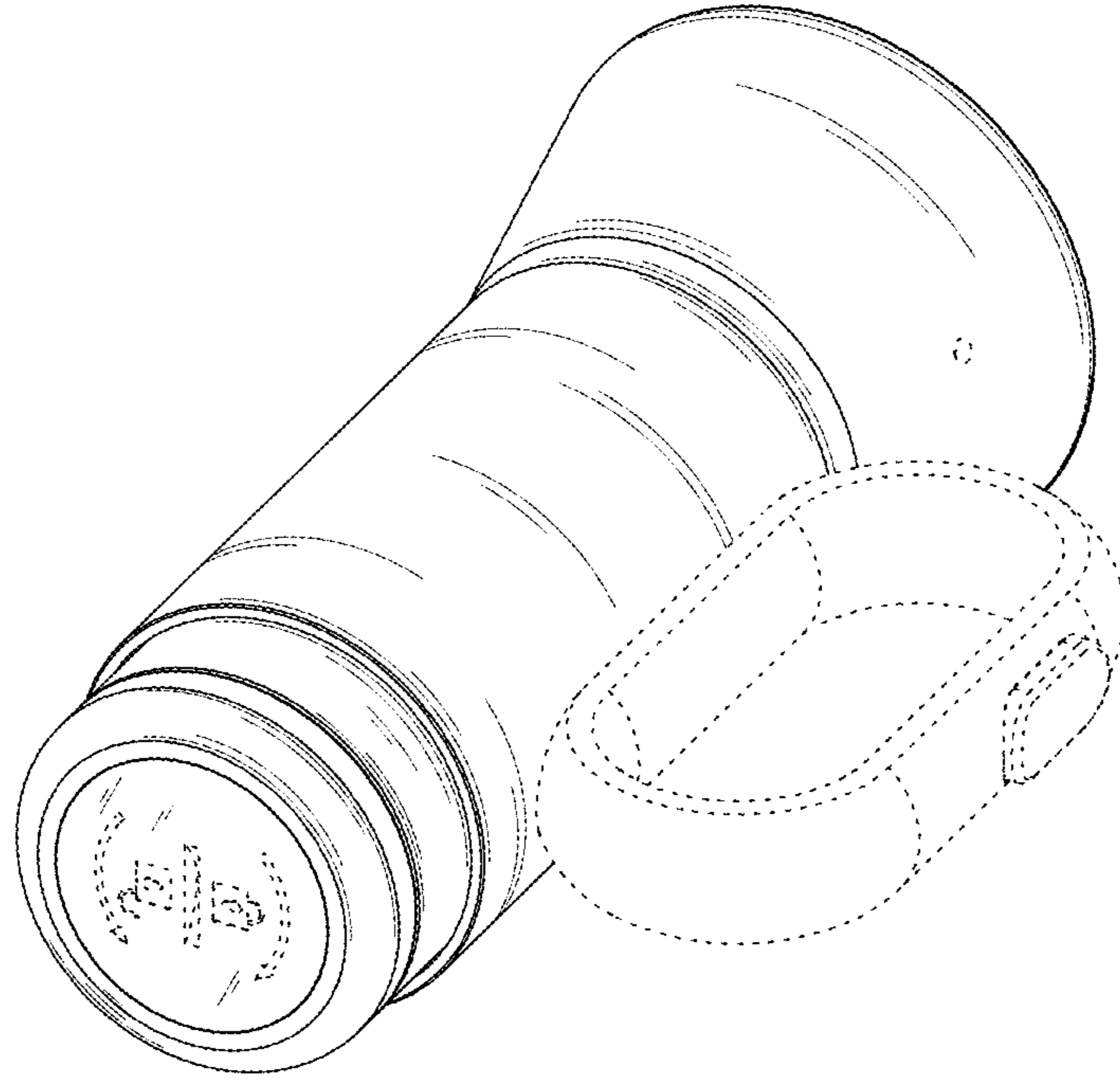
**1 Claim, 5 Drawing Sheets**

(56) **References Cited**  
U.S. PATENT DOCUMENTS  
D169,981 S \* 7/1953 Lambert ..... D26/49  
3,124,306 A \* 3/1964 Scholtz ..... F21L 2/00  
362/157  
D221,248 S \* 7/1971 Angibaud ..... D26/49  
D253,494 S \* 11/1979 Sit-Lae ..... D26/49  
D278,936 S \* 5/1985 Hung ..... D26/49  
D294,869 S \* 3/1988 Kwan ..... D26/49  
D325,100 S \* 3/1992 Usami ..... D26/49  
D351,477 S \* 10/1994 Bamber ..... D26/49  
D373,436 S \* 9/1996 Li ..... D26/44  
D376,863 S \* 12/1996 Yuen ..... D26/48

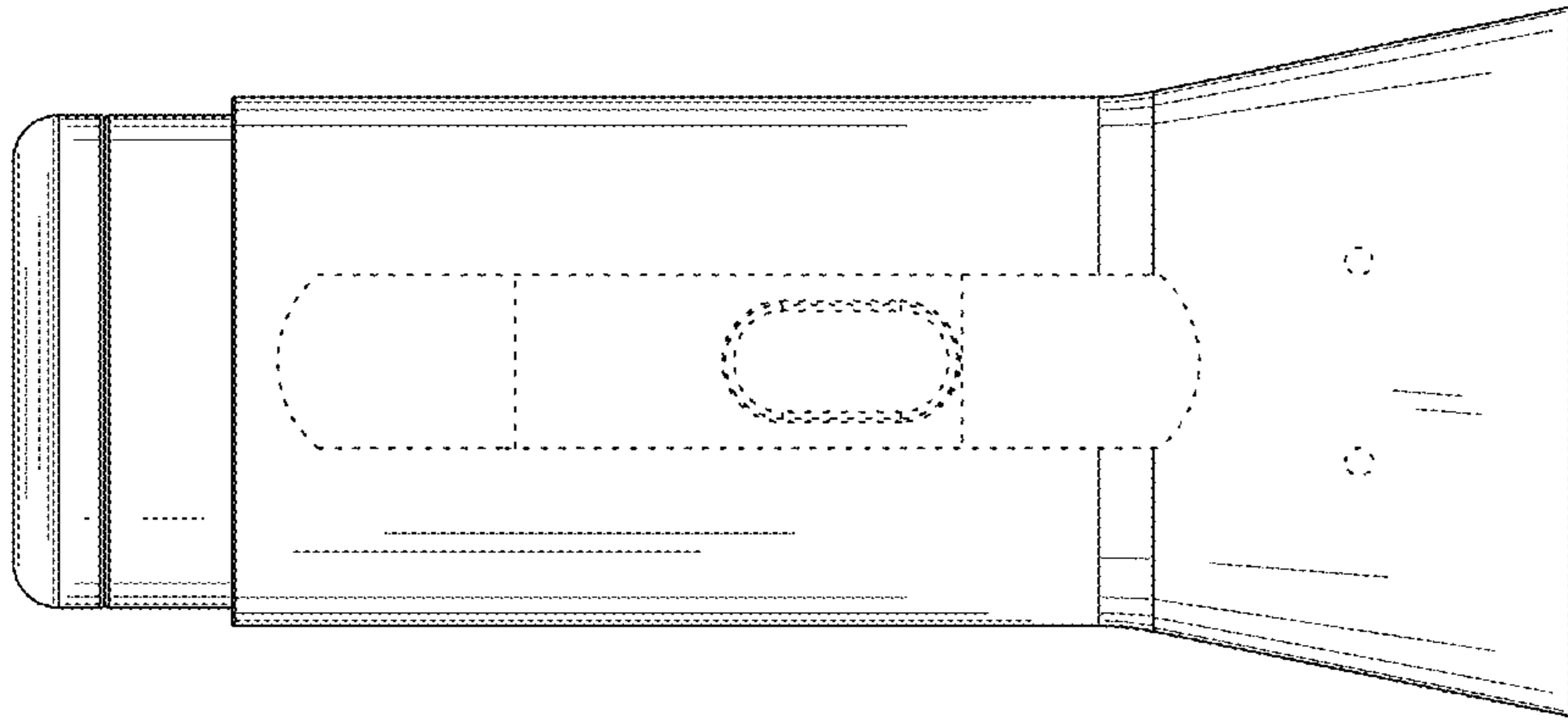




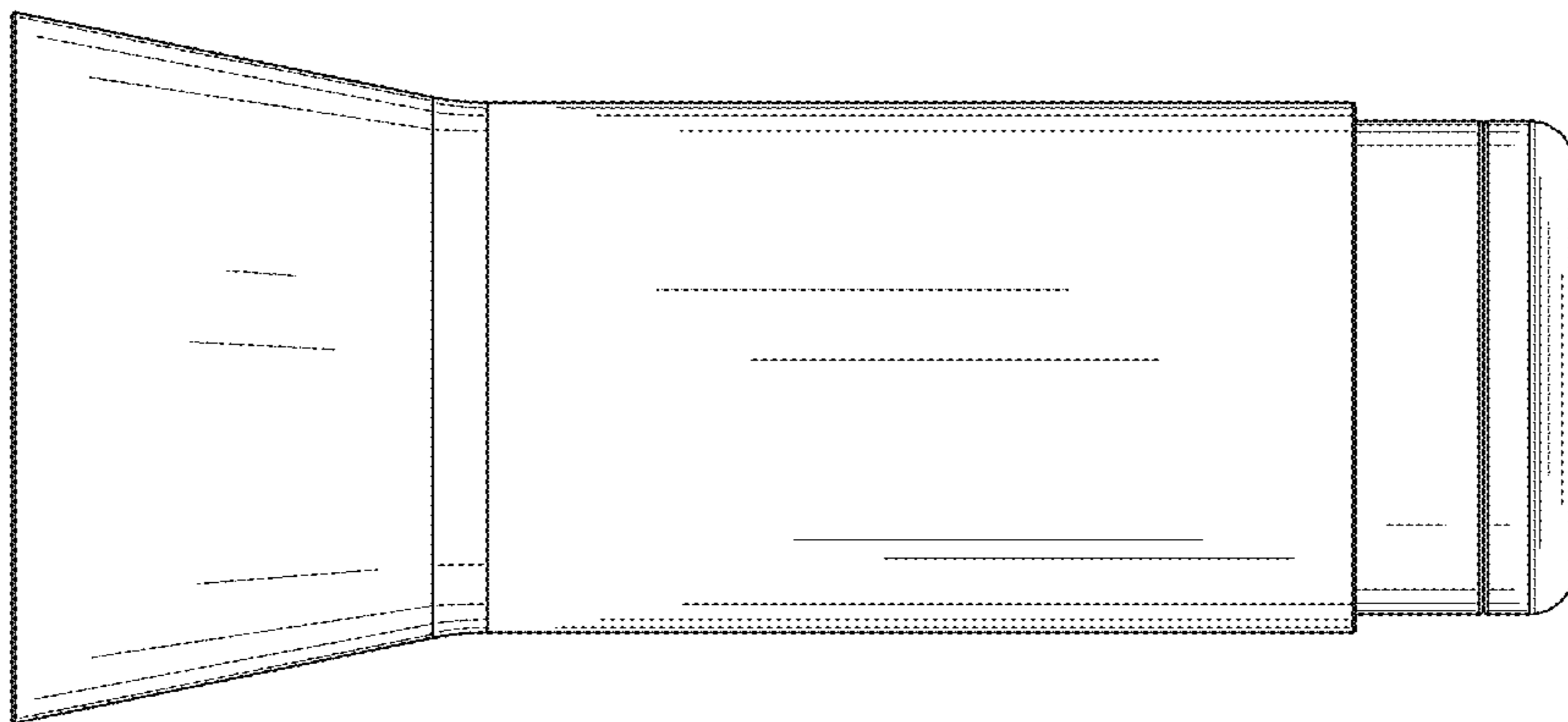
**FIG. 1**



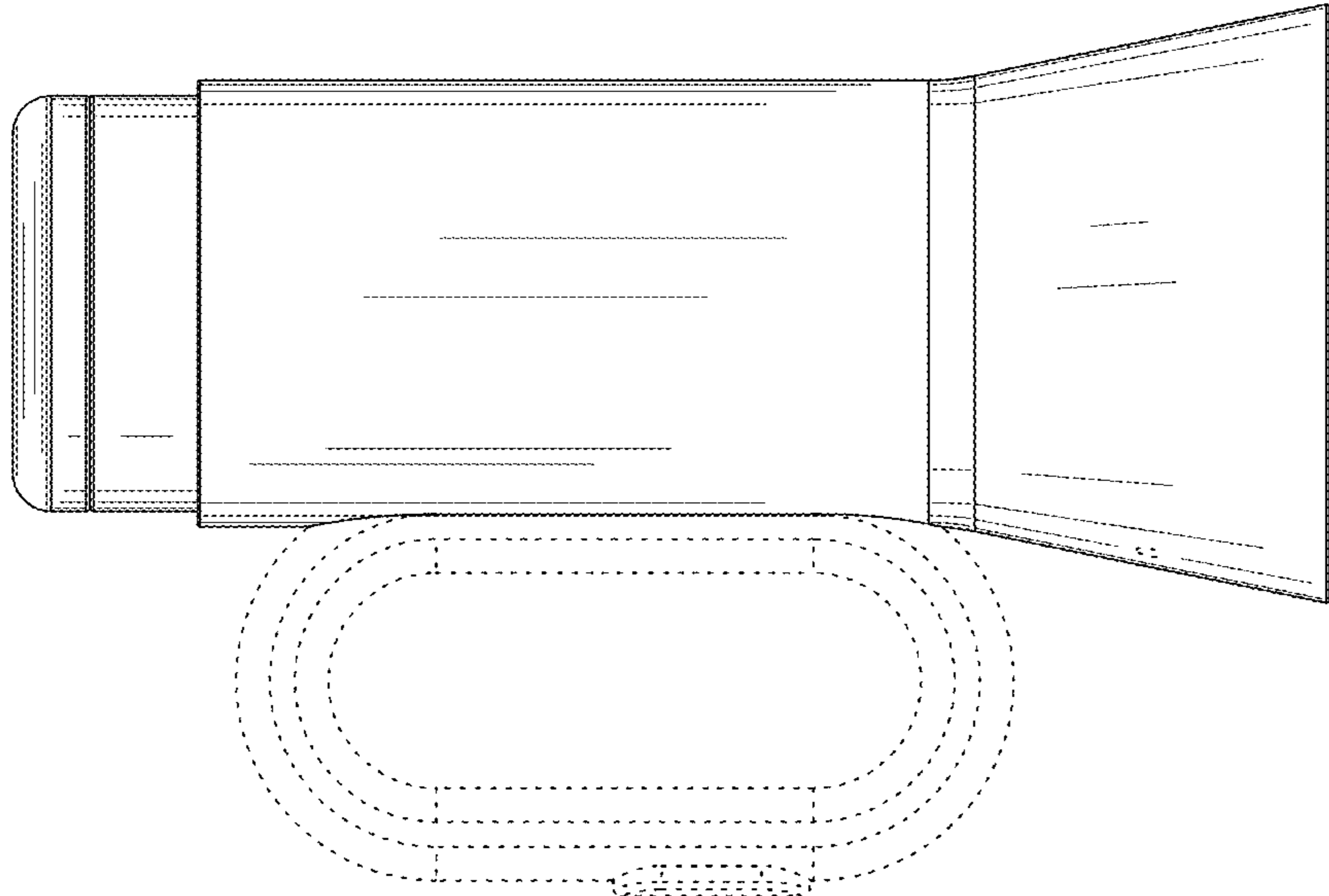
**FIG. 2**



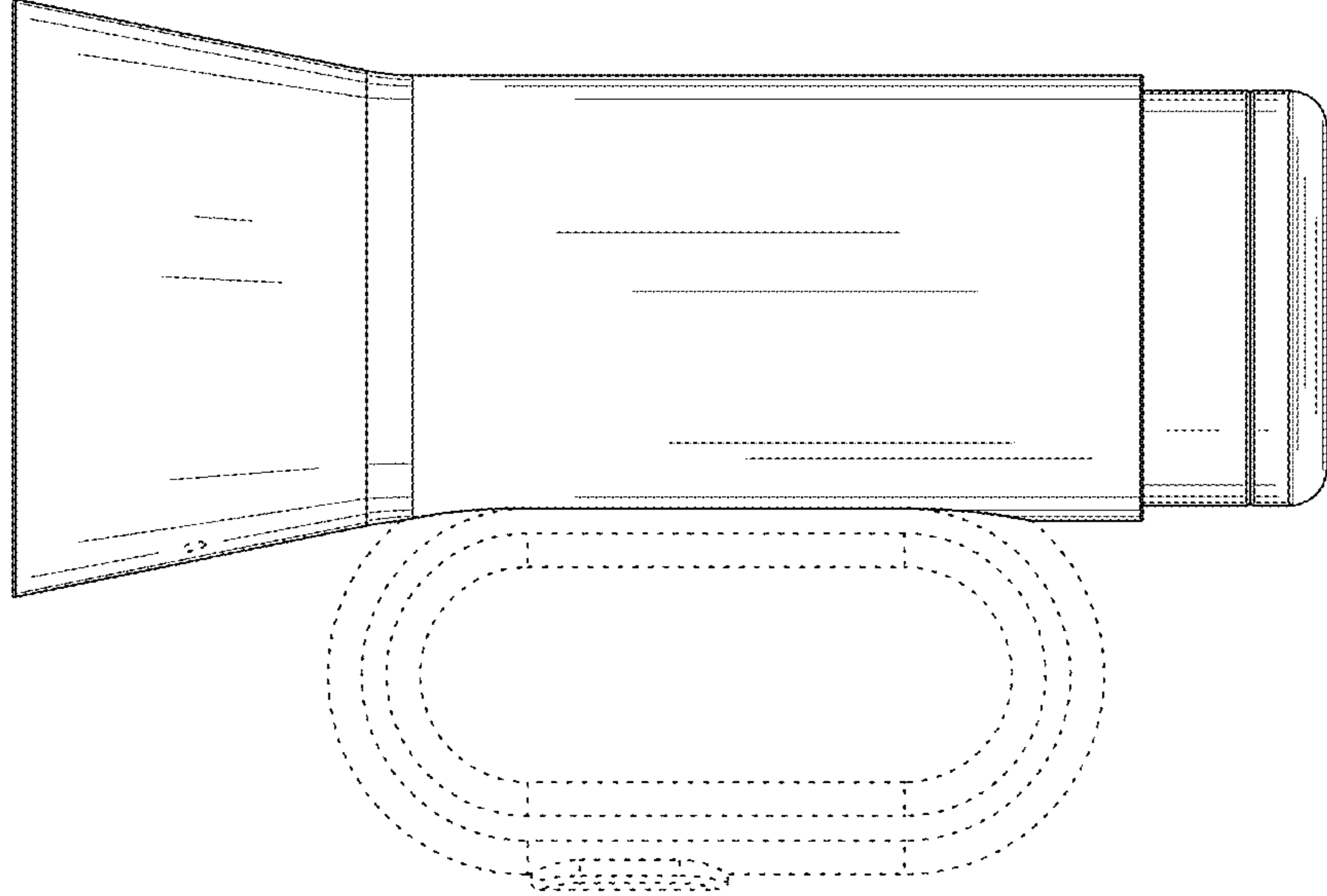
**FIG. 4**



**FIG. 3**



**FIG. 5**



**FIG. 6**



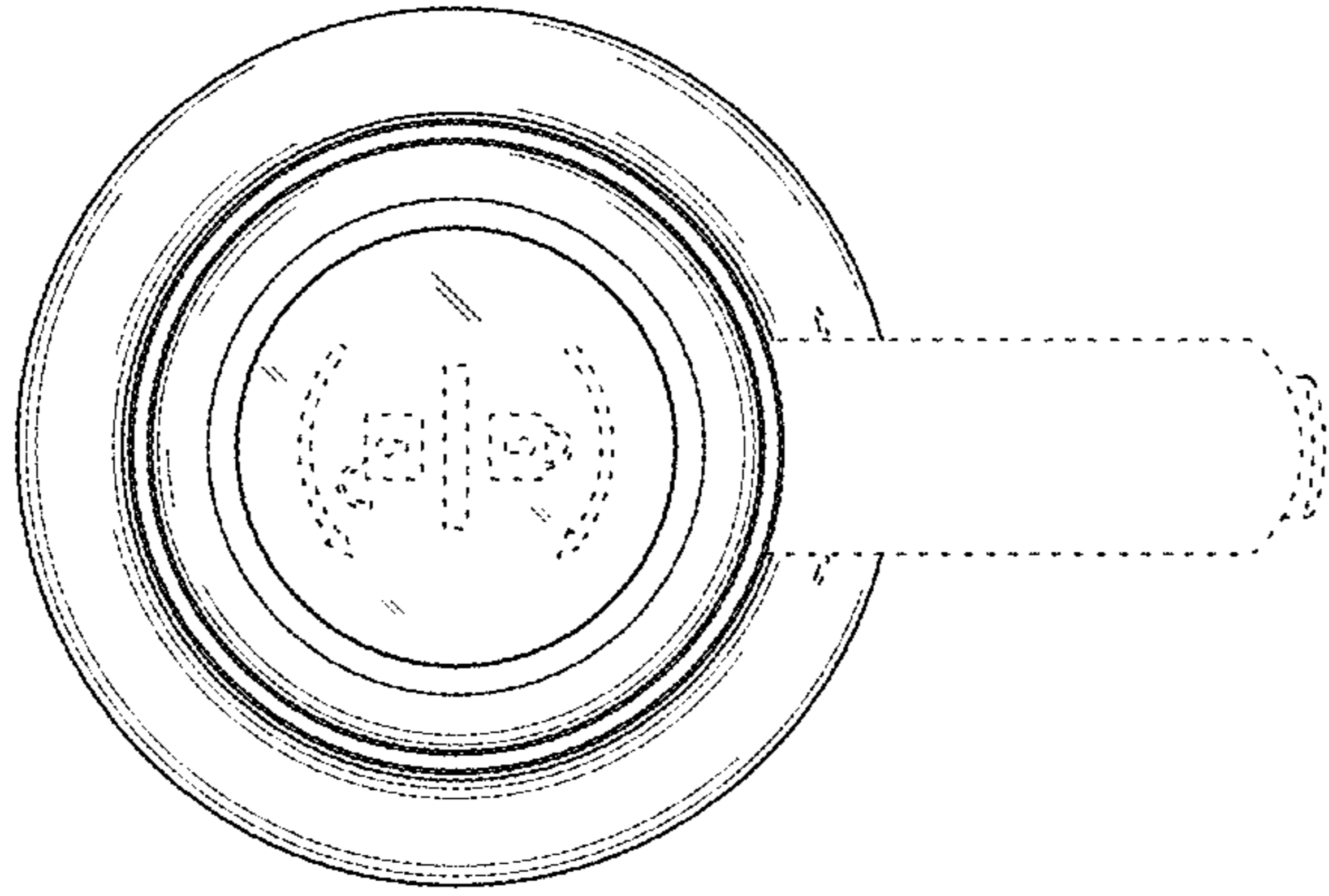


FIG. 8

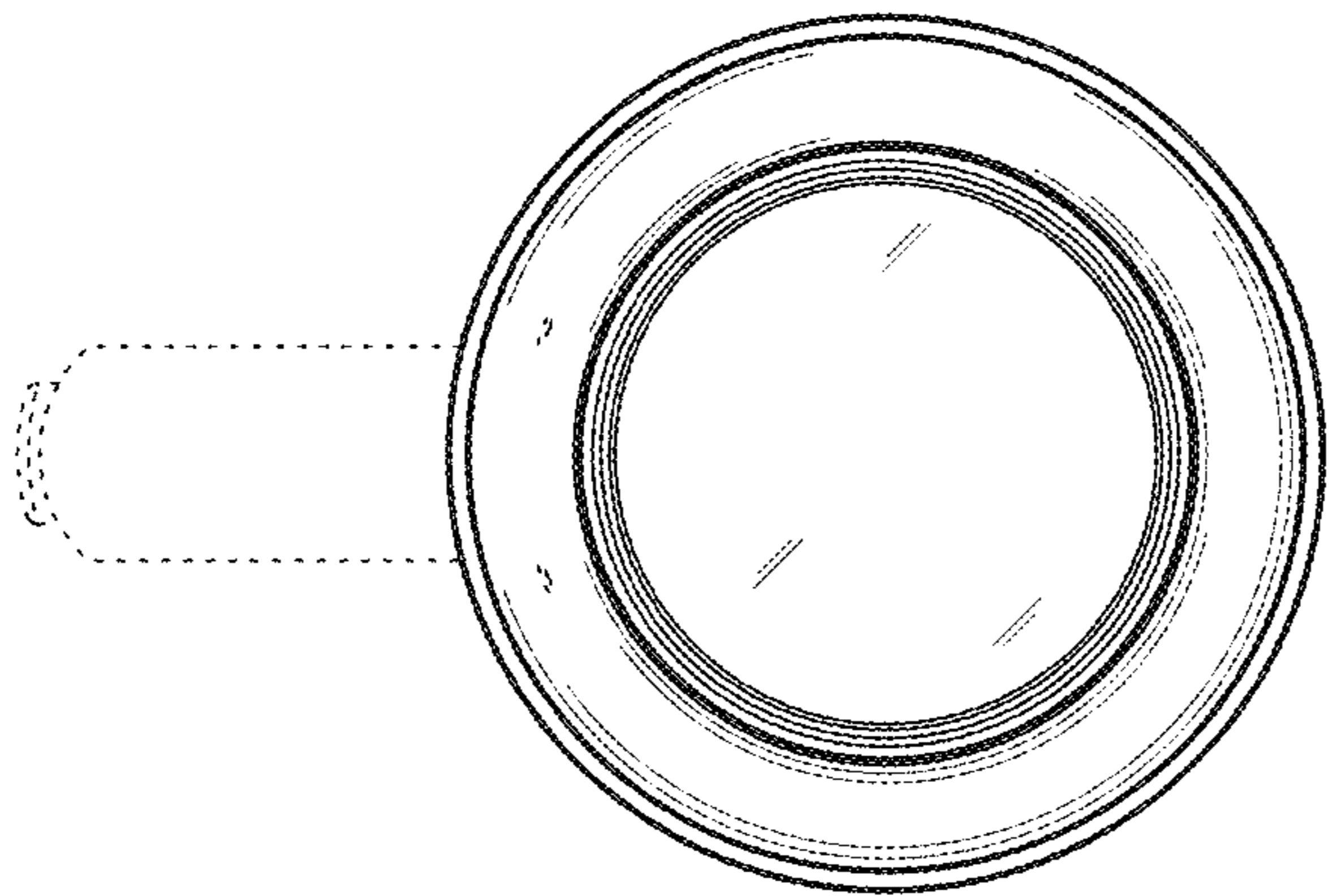


FIG. 7