



US00D896318S

(12) **United States Design Patent**
Li et al.

(10) **Patent No.:** **US D896,318 S**

(45) **Date of Patent:** **** Sep. 15, 2020**

(54) **BUBBLE MACHINE**

(71) Applicant: **SHENZHEN QIANHAI JUNLIAN NETWORK TECHNOLOGY CO., LTD.**, Shenzhen (CN)

(72) Inventors: **Yan Li**, Shenzhen (CN); **Weijian Yuan**, Yichun (CN)

(73) Assignee: **SHENZHEN QIANHAI JUNLIAN NETWORK TECHNOLOGY CO. LTD.**, Shenzhen (CN)

(**) Term: **15 Years**

(21) Appl. No.: **29/689,428**

(22) Filed: **Apr. 30, 2019**

(51) **LOC (12) Cl.** **21-01**

(52) **U.S. Cl.**
USPC **D21/401**

(58) **Field of Classification Search**
USPC D21/401; 446/15–21
CPC A63H 33/28
See application file for complete search history.

(56) **References Cited**

U.S. PATENT DOCUMENTS

2,547,825	A *	4/1951	King	A63H 33/28 446/16
4,044,496	A *	8/1977	Jernstrom	A63H 33/28 446/16
6,077,143	A *	6/2000	Gutierrez	A63H 33/28 446/15
D490,861	S *	6/2004	Buzzelli	D21/401
D627,403	S *	11/2010	Lo	D21/401
D642,629	S *	8/2011	Lo	D21/401
D643,477	S *	8/2011	Lo	D21/401
D678,421	S *	3/2013	Hedeen, Jr.	D21/401
D717,880	S *	11/2014	Chen	D21/401
D790,009	S *	6/2017	Lo	D21/401

2006/0052028	A1 *	3/2006	Thai	A63H 33/28 446/16
2008/0274662	A1 *	11/2008	Lo	A63H 33/28 446/16
2009/0163109	A1 *	6/2009	Thai	A63H 33/28 446/16
2012/0220184	A1 *	8/2012	Orem	A63H 33/28 446/16
2019/0126161	A1 *	5/2019	Yang	A63H 33/28

FOREIGN PATENT DOCUMENTS

CN	304706227	*	6/2018
CN	304894126	*	11/2018
CN	304920381	*	11/2018

(Continued)

Primary Examiner — Catherine A Tuttle

(74) *Attorney, Agent, or Firm* — Law Offices of Steven W. Weinrieb

(57) **CLAIM**

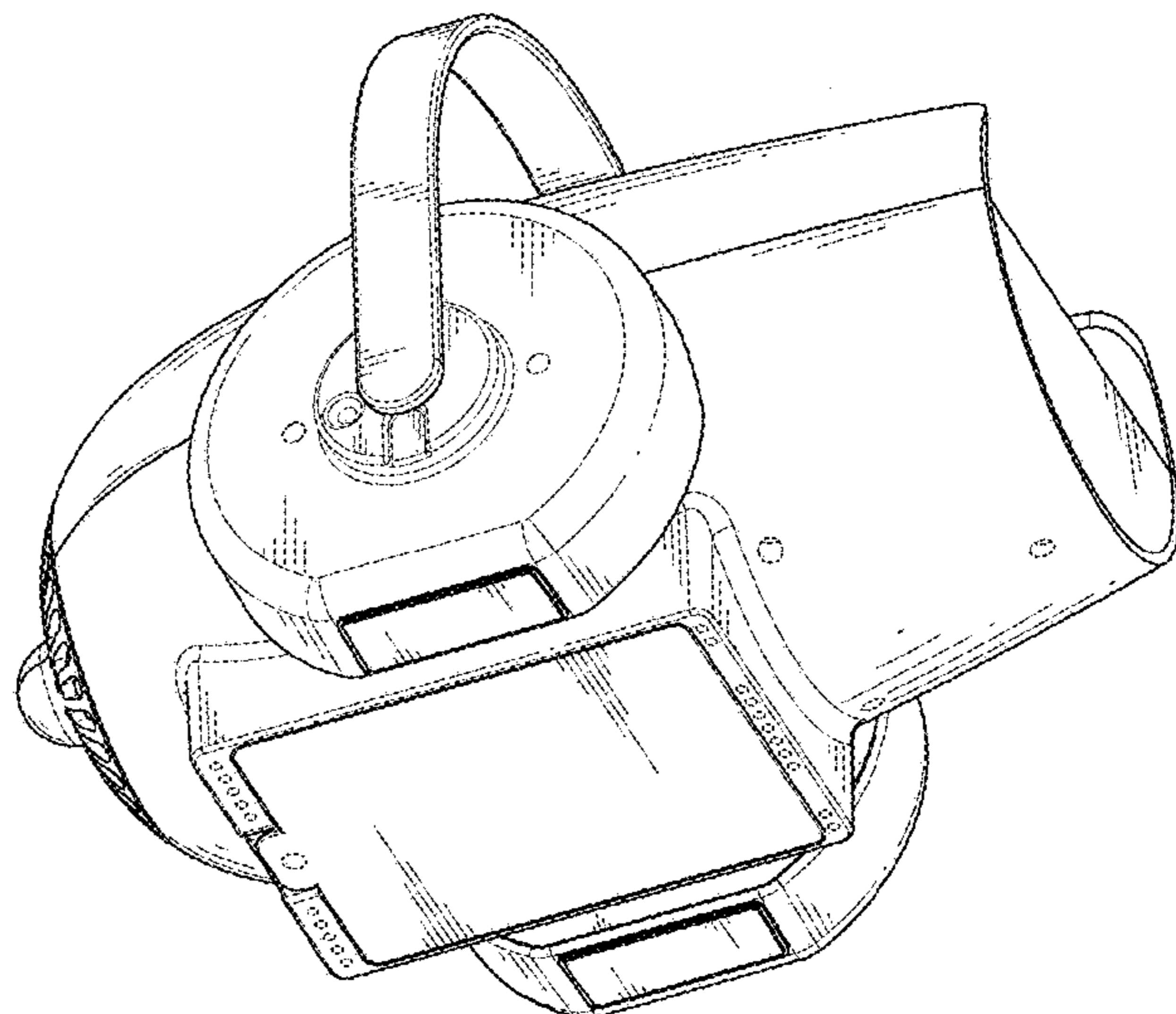
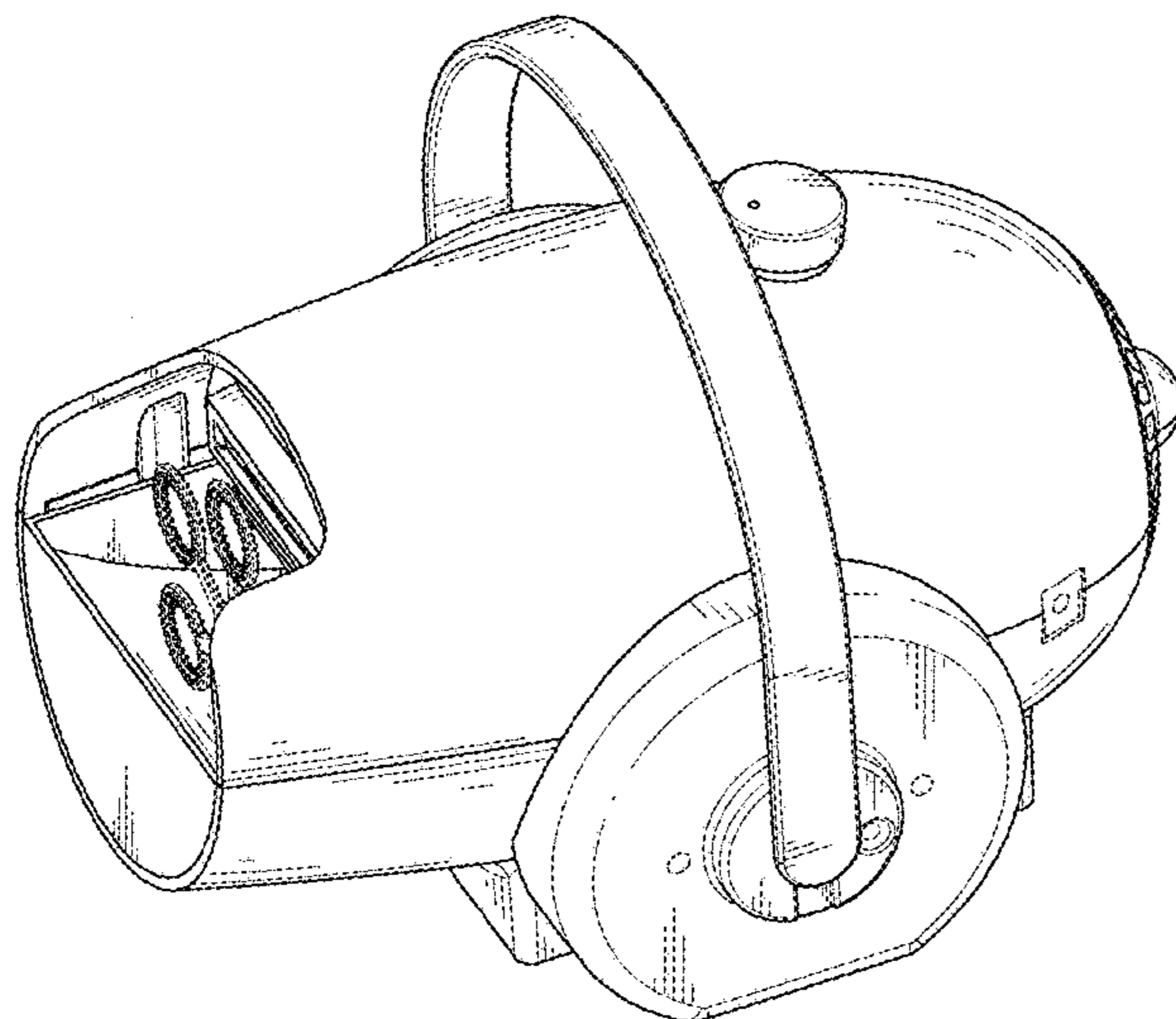
The ornamental design for a bubble machine, as shown and described.

DESCRIPTION

FIG. 1 is a front, right side, top perspective view of a bubble machine showing our new design; FIG. 2 is a front, left side, bottom perspective view thereof; FIG. 3 is a front elevational view; FIG. 4 is a rear elevational view thereof; FIG. 5 is a left side elevational view thereof; FIG. 6 is a right side elevational view thereof; FIG. 7 is a top plan view thereof; and, FIG. 8 is a bottom plan view thereof.

The dashed lines are included for the purpose of defining the boundaries of the unclaimed areas of the bubble machine and depicting unclaimed features contained within these boundaries.

1 Claim, 8 Drawing Sheets



(56)

References Cited

FOREIGN PATENT DOCUMENTS

CN	304975506	*	1/2019	
EM	004239408-0001	*	9/2017	
EP	0082233 A1	*	6/1983 A63H 33/28

* cited by examiner

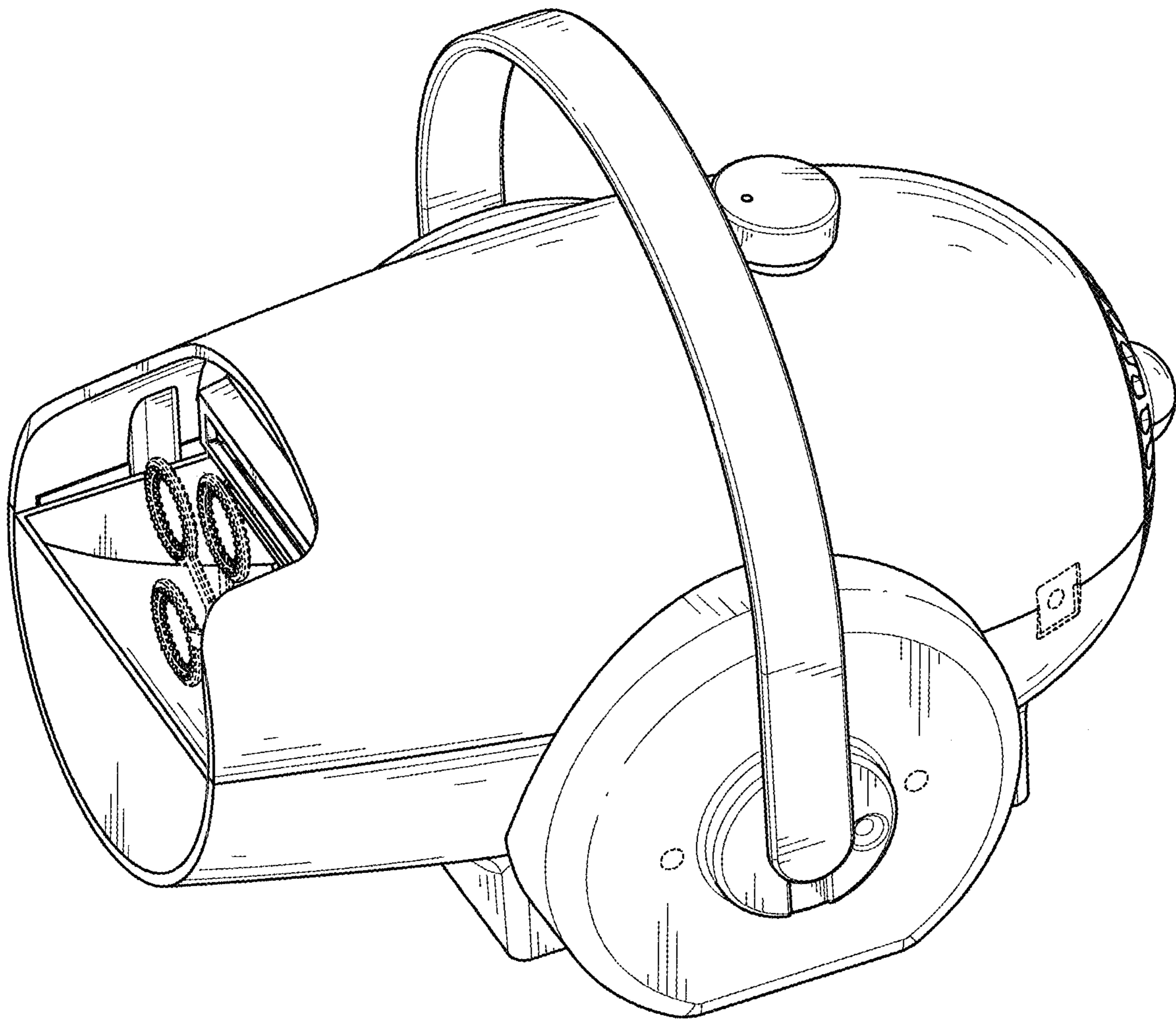


FIG. 1

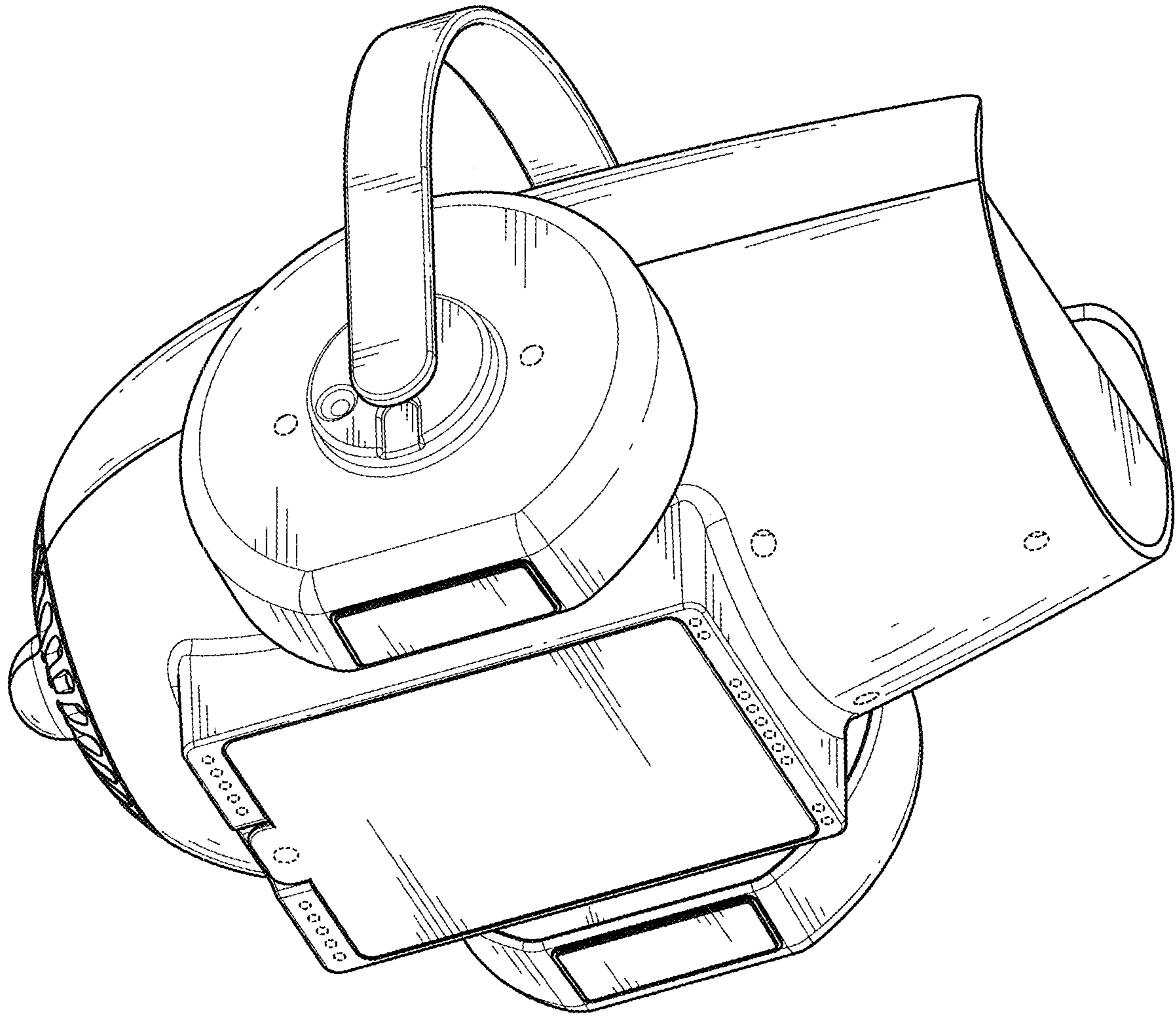


FIG. 2

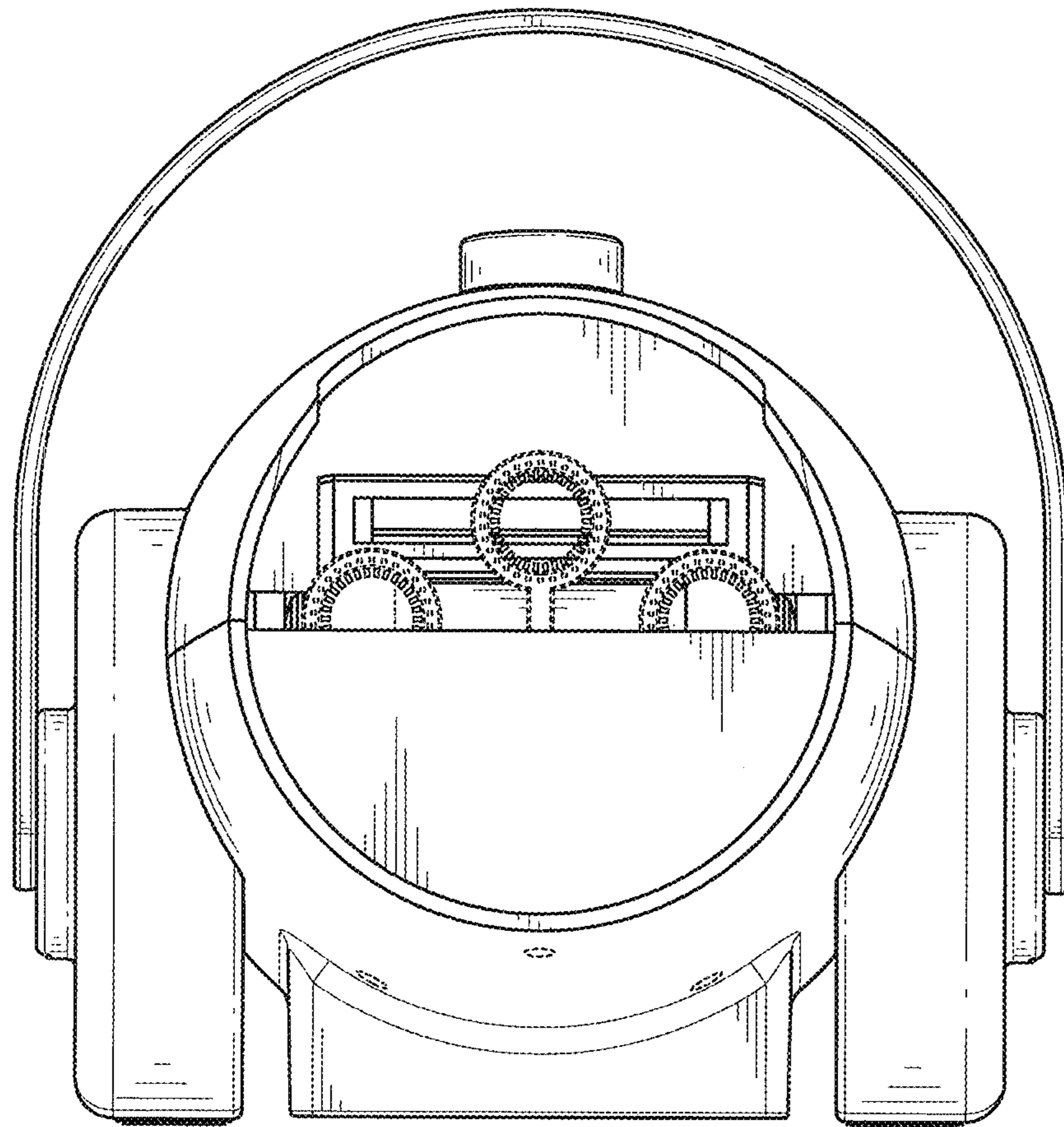


FIG. 3

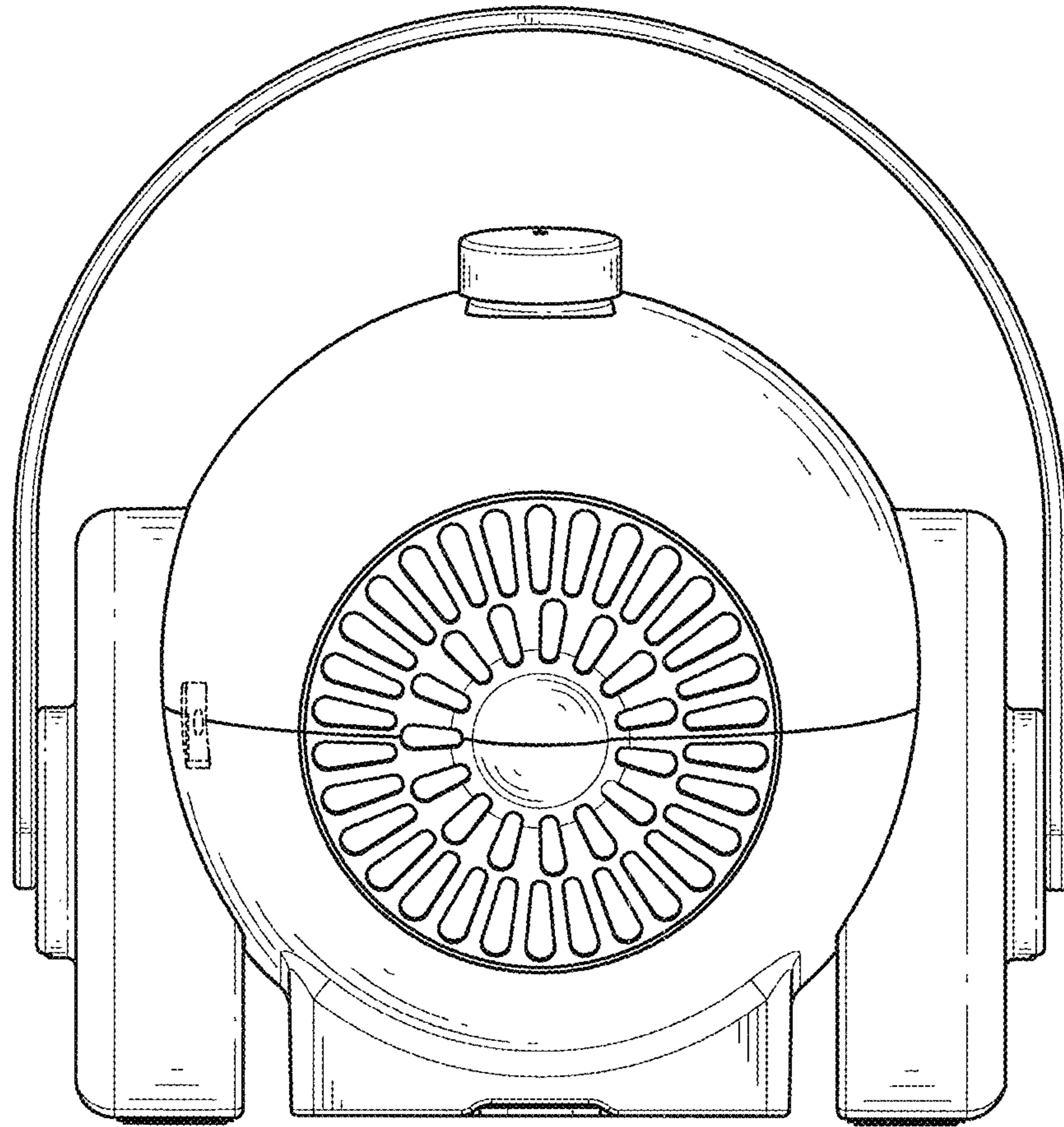


FIG. 4

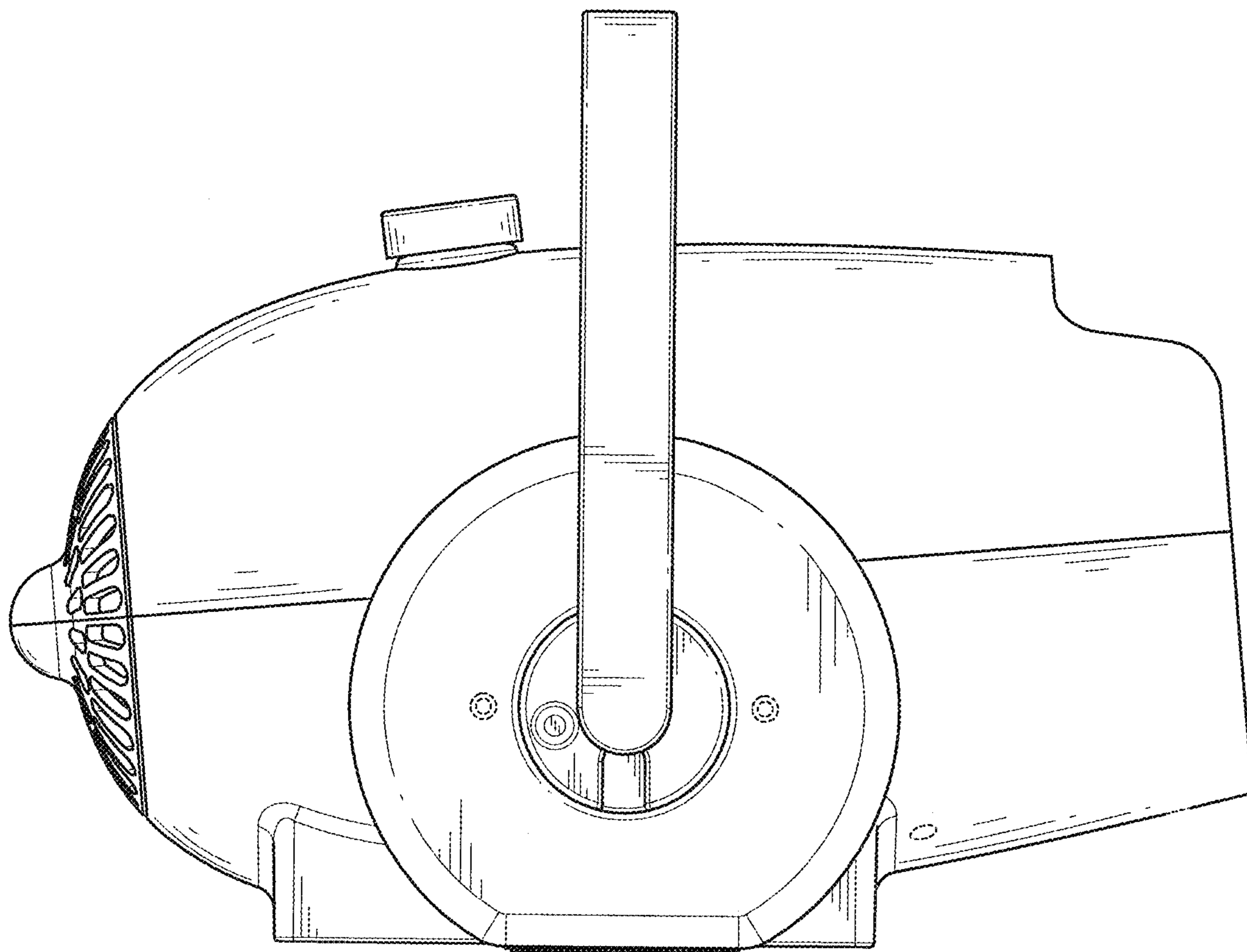


FIG. 5

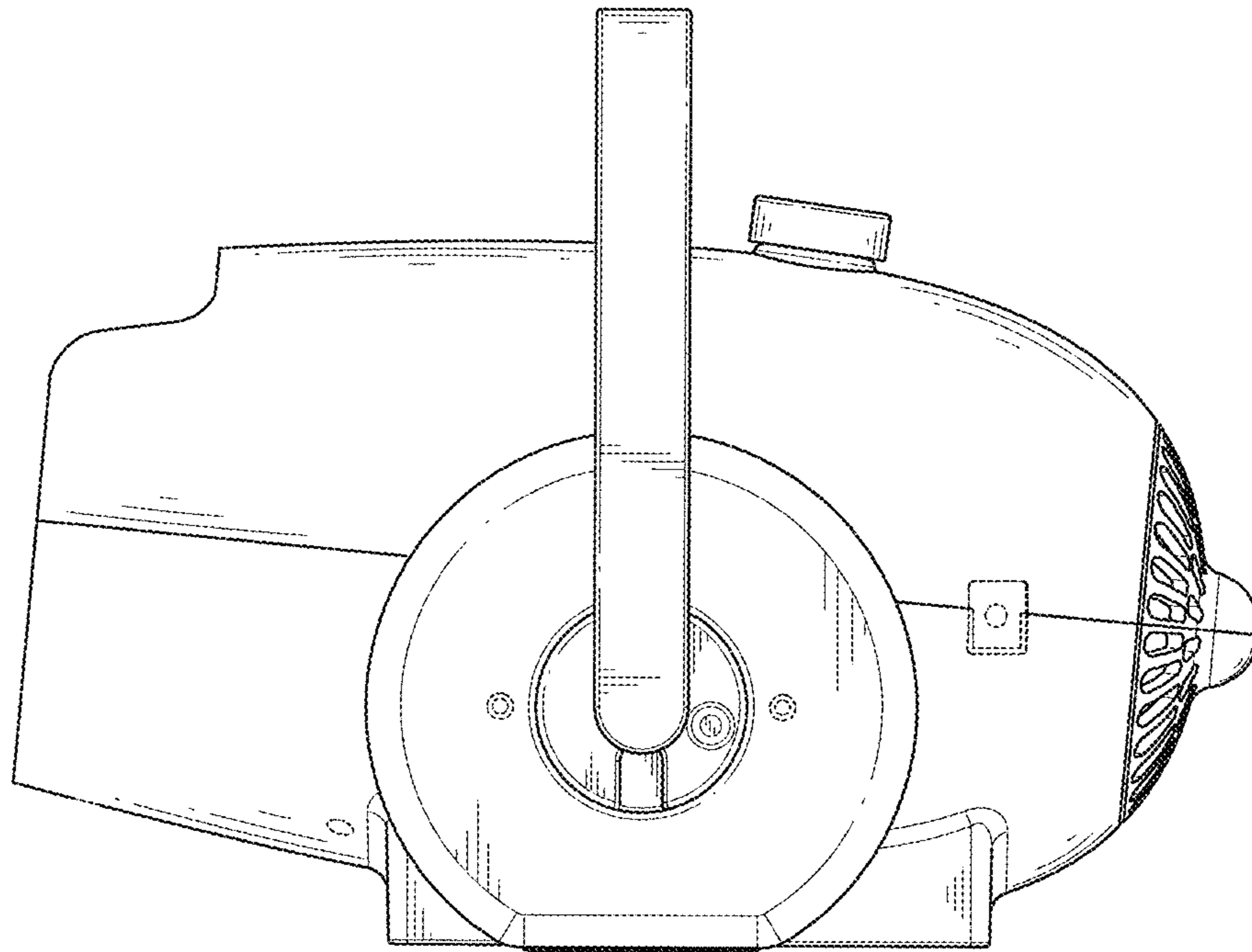


FIG. 6

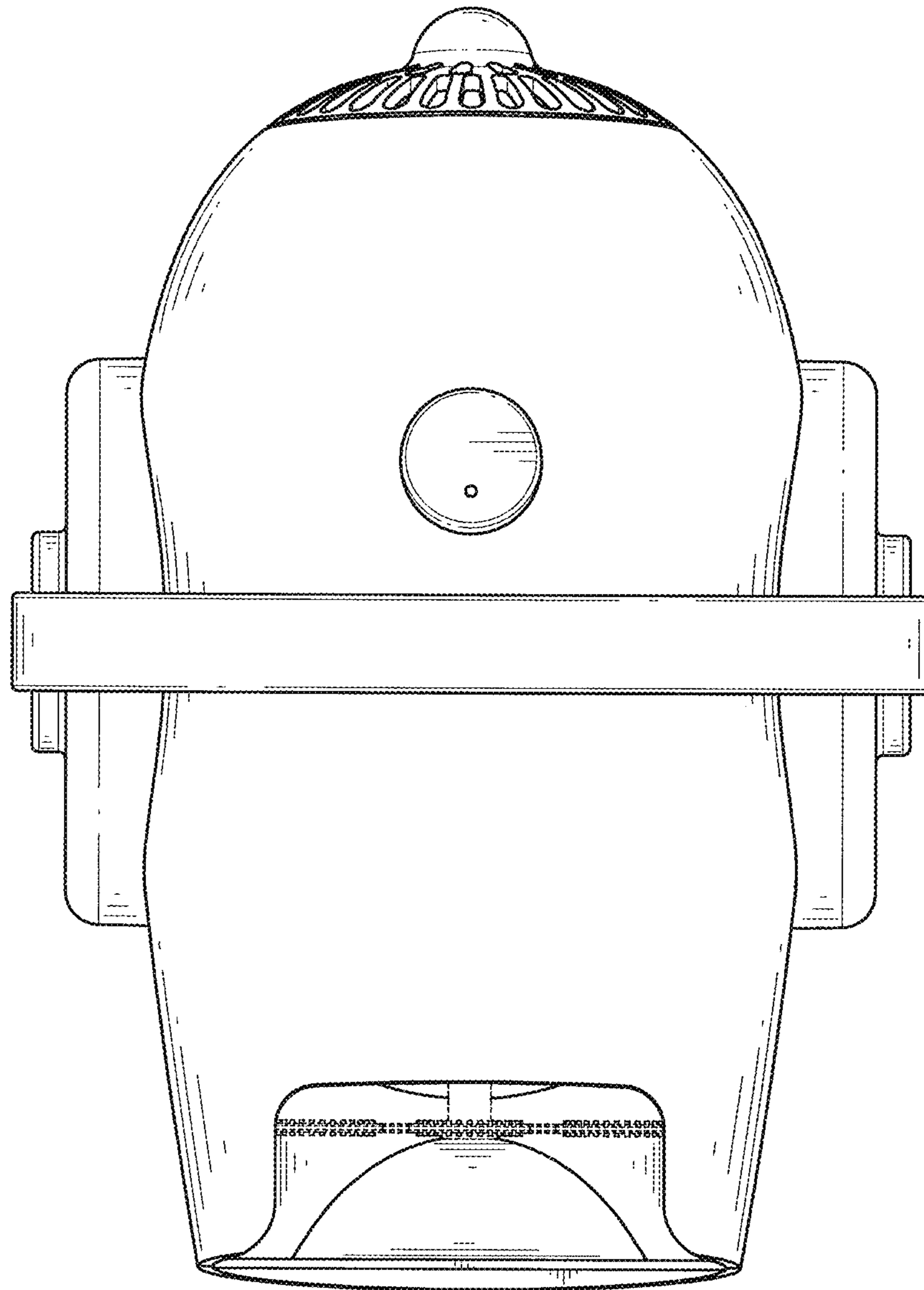


FIG. 7

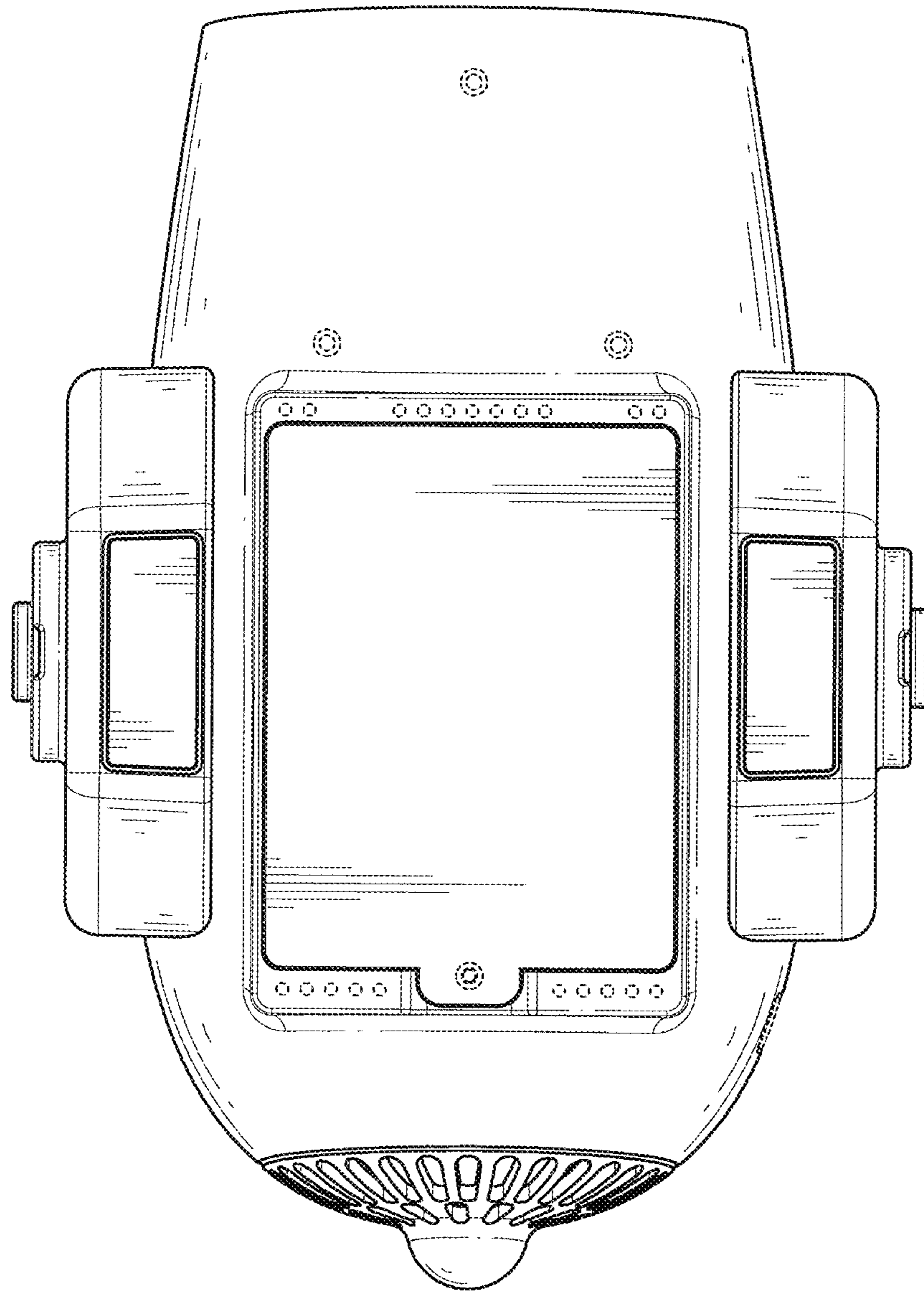


FIG. 8