



US00D896317S

(12) **United States Design Patent** (10) **Patent No.:** **US D896,317 S**
Bernal (45) **Date of Patent:** **** Sep. 15, 2020**

(54) **TOY DART**
(71) Applicant: **HASBRO, INC.**, Pawtucket, RI (US)
(72) Inventor: **Dennis Bernal**, Milford, MA (US)
(73) Assignee: **HASBRO, INC.**, Pawtucket, RI (US)
(**) Term: **15 Years**
(21) Appl. No.: **29/685,134**
(22) Filed: **Mar. 26, 2019**
(51) **LOC (12) Cl.** **21-01**
(52) **U.S. Cl.**
USPC **D21/387**
(58) **Field of Classification Search**
USPC D21/300, 301-302, 307, 308, 334, 335,
D21/363, 365, 370, 385-389, 392, 397
CPC F42B 6/003; F42B 6/02; F42B 6/04; F42B
6/06; F42B 6/08; F42B 6/10; A63H 33/18
See application file for complete search history.

D818,051 S * 5/2018 Langberg D21/436
D818,542 S * 5/2018 Langberg F42B 12/40
D21/436
10,030,950 B1 * 7/2018 Chia F42B 12/745
D878,487 S * 3/2020 Lallier D21/570
2004/0069177 A1 * 4/2004 Klein F42B 12/36
102/502
2006/0276277 A1 * 12/2006 Montefusco F42B 8/16
473/586

* cited by examiner

Primary Examiner — George D. Kirschbaum
Assistant Examiner — Joseph J Kukella
(74) *Attorney, Agent, or Firm* — Marshall, Gerstein &
Borun LLP

(57) **CLAIM**

The ornamental design for a toy dart, as shown and described.

(56) **References Cited**

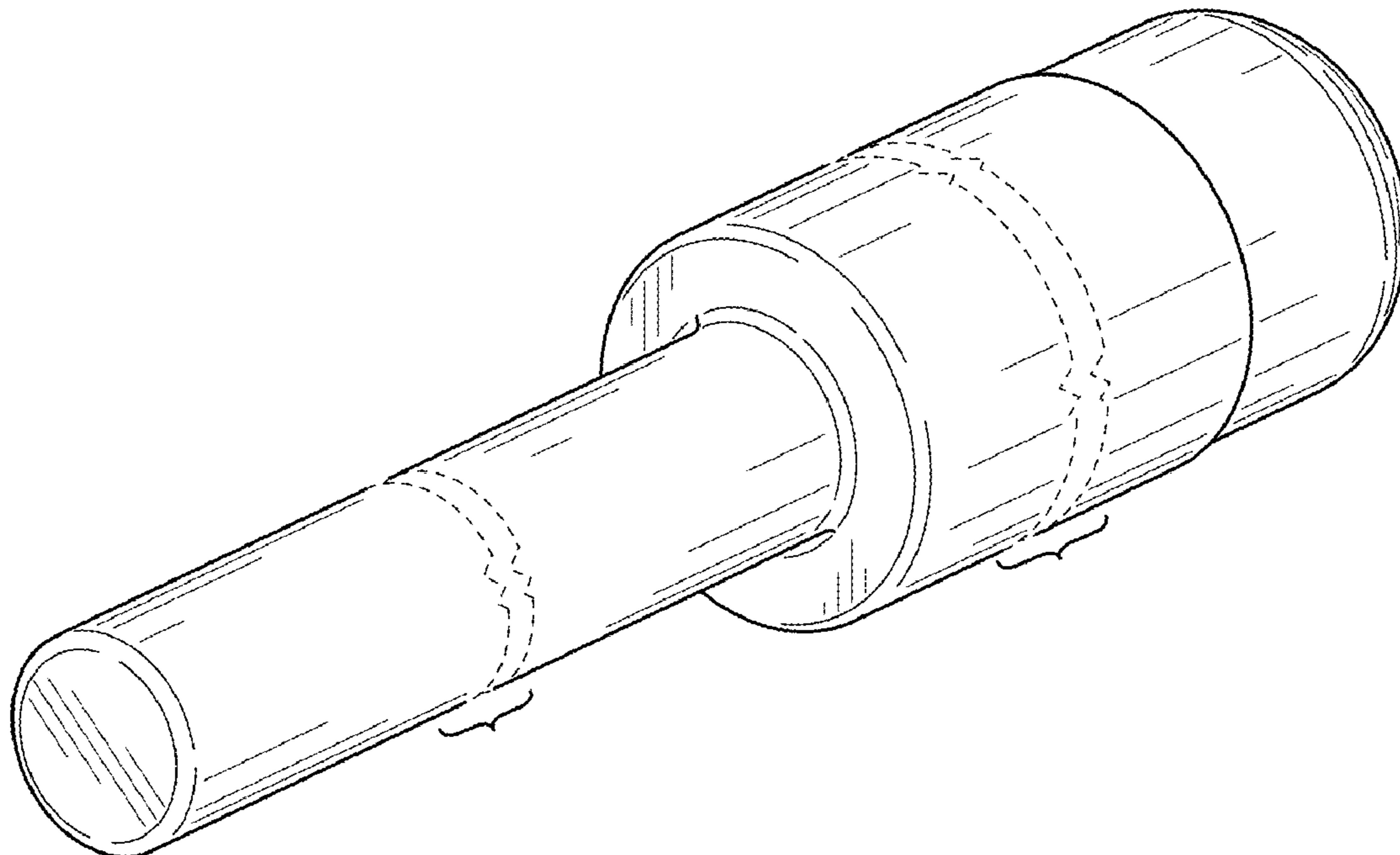
U.S. PATENT DOCUMENTS

D277,597 S * 2/1985 Wik D22/115
5,183,963 A * 2/1993 Beaufiles F42B 12/78
102/501
7,604,556 B2 * 10/2009 Witzigreuter F42B 12/40
102/513
D698,872 S * 2/2014 Cummings D21/387
D802,681 S * 11/2017 Falkowski, II D21/387
D803,326 S * 11/2017 Wong F42B 6/003
D21/387
D817,410 S * 5/2018 Langberg F42B 12/36
D21/436
D818,050 S * 5/2018 Langberg F42B 8/16
D21/436

DESCRIPTION

FIG. 1 is a perspective view of a toy dart that has the design;
FIG. 2 is a rear view of the toy dart;
FIG. 3 is a front view of the toy dart;
FIG. 4 is a right-side view of the toy dart;
FIG. 5 is a left-side view of the toy dart;
FIG. 6 is a top view of the toy dart; and,
FIG. 7 is a bottom view of the toy dart.
In the drawings, the toy dart is shown with symbolic breaks
in its length depicted in broken lines. The appearance of any
portion of the toy dart between the break lines forms no part
of the claimed design.

1 Claim, 4 Drawing Sheets



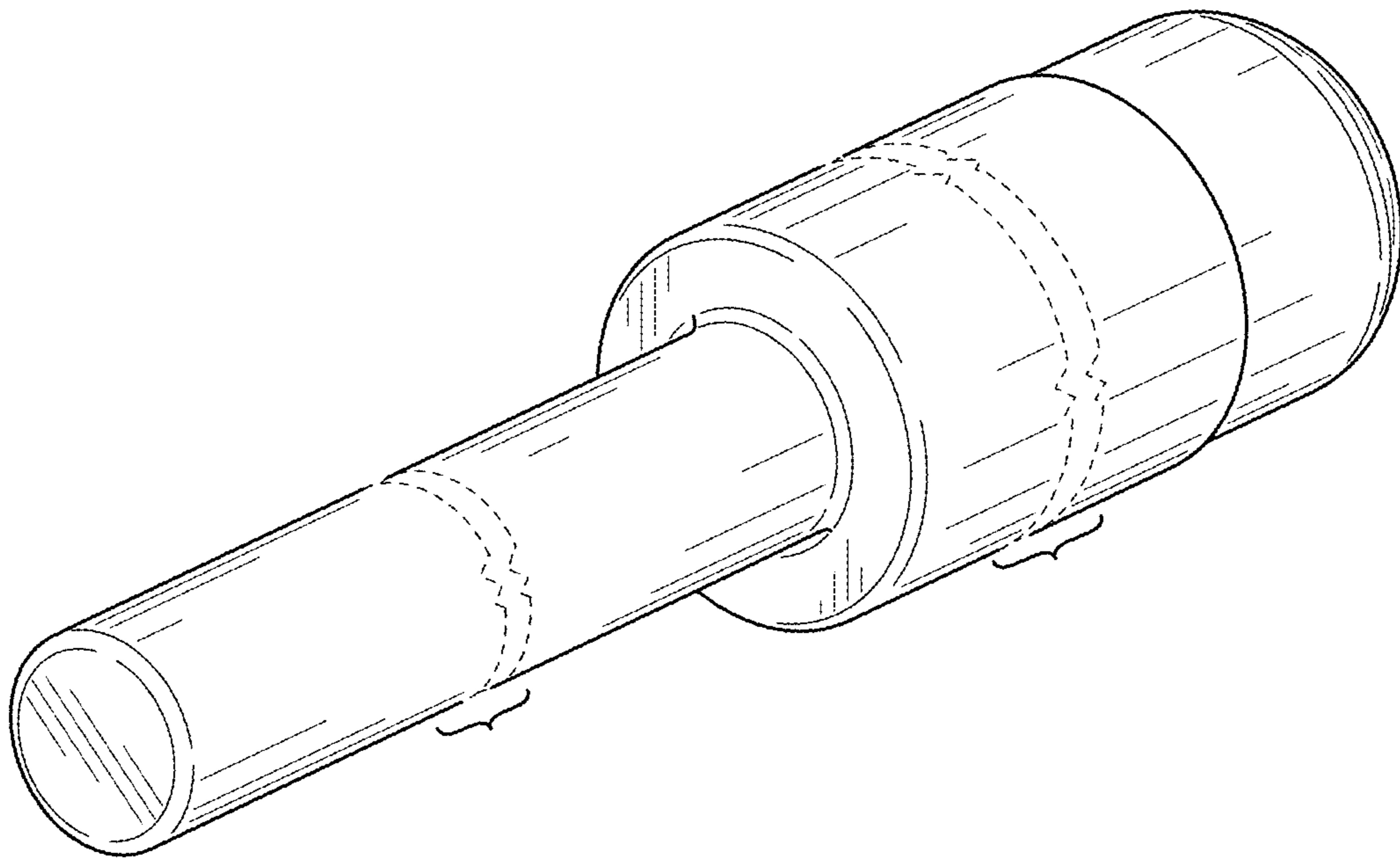


FIG. 1

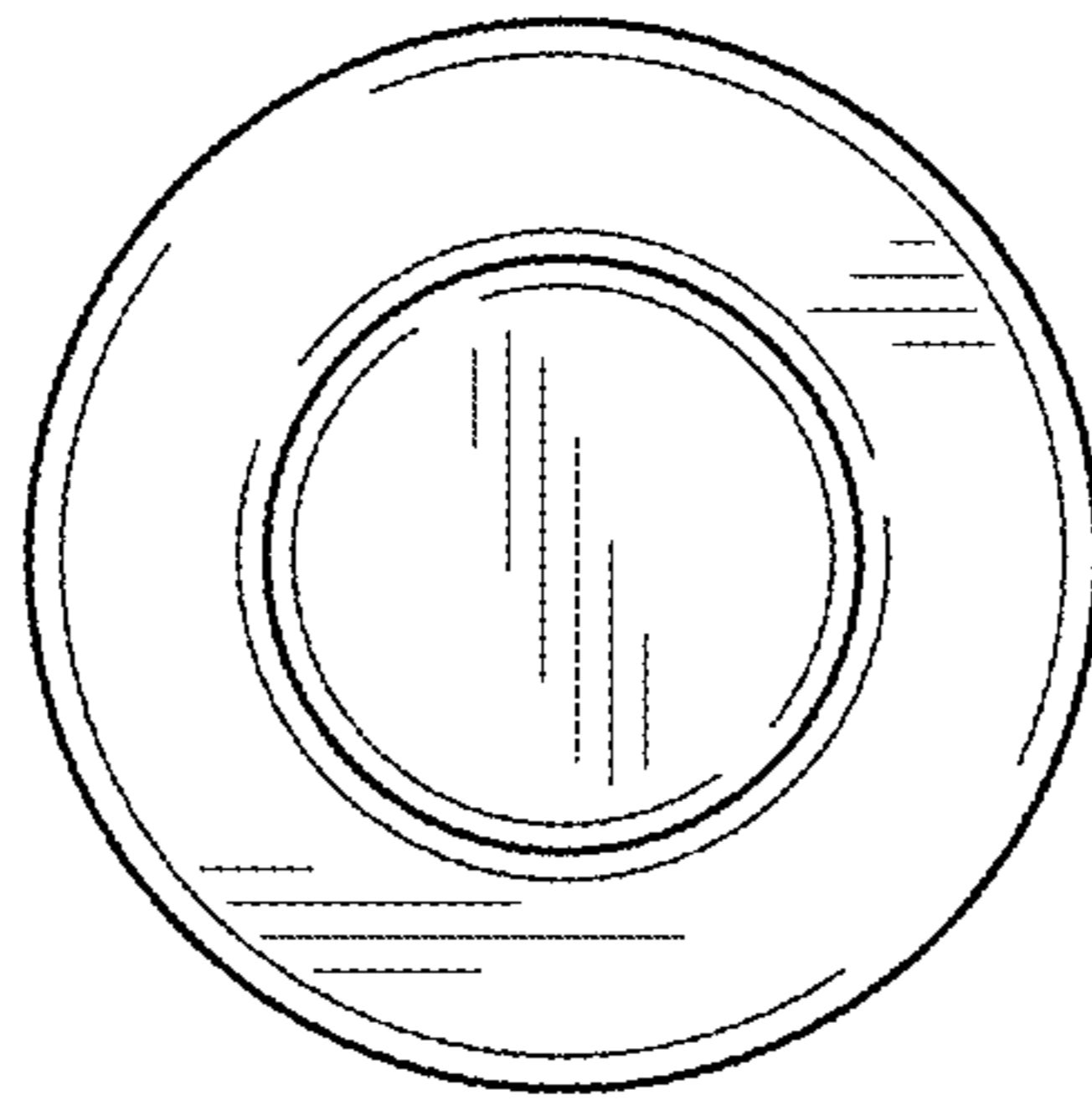


FIG. 2

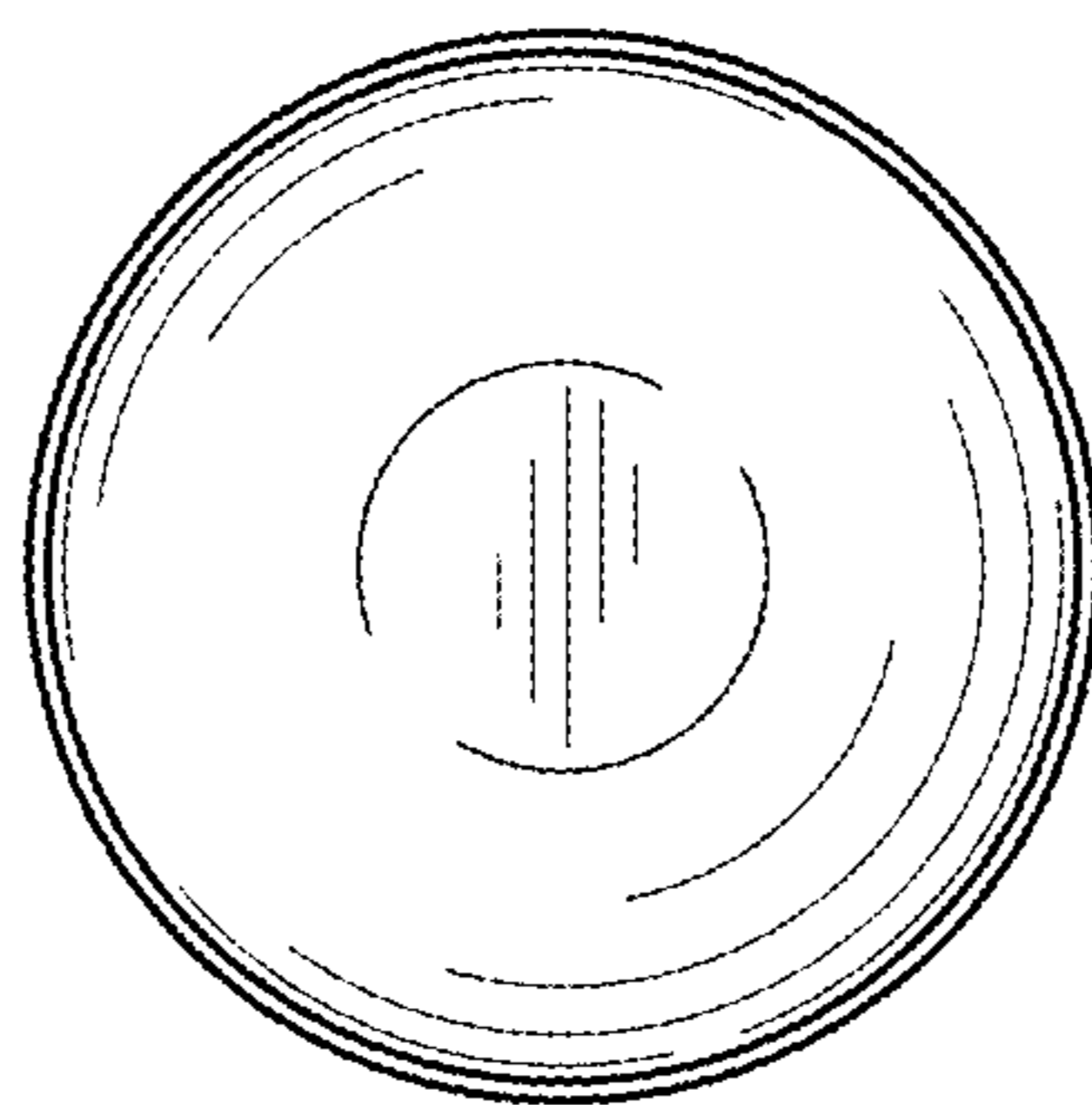


FIG. 3

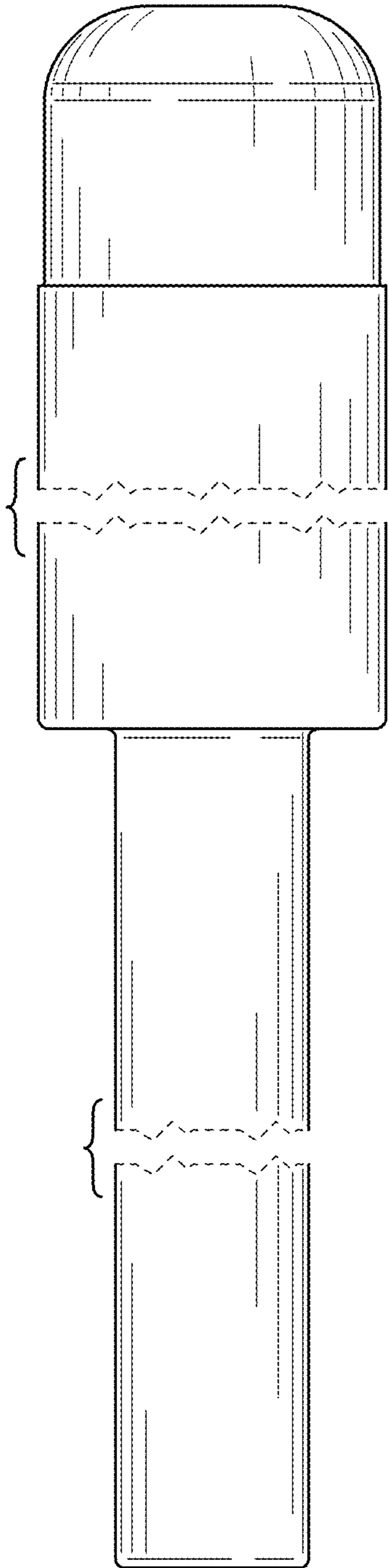


FIG. 4

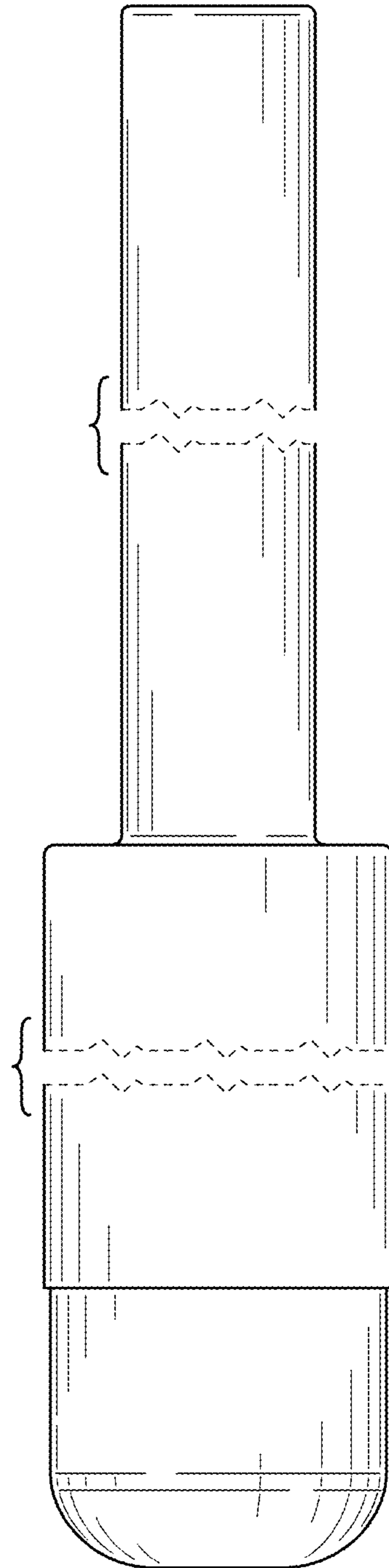


FIG. 5

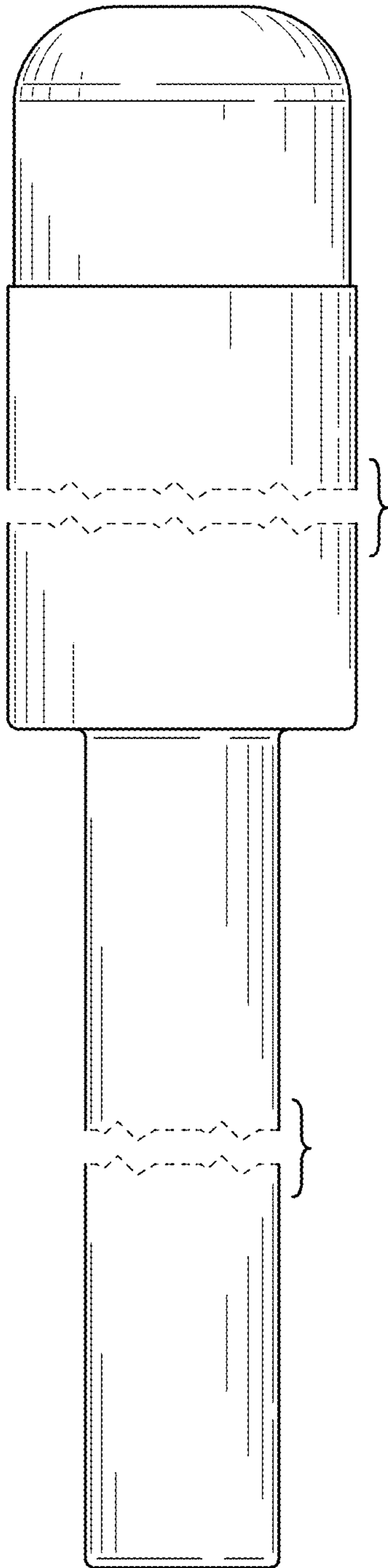


FIG. 6

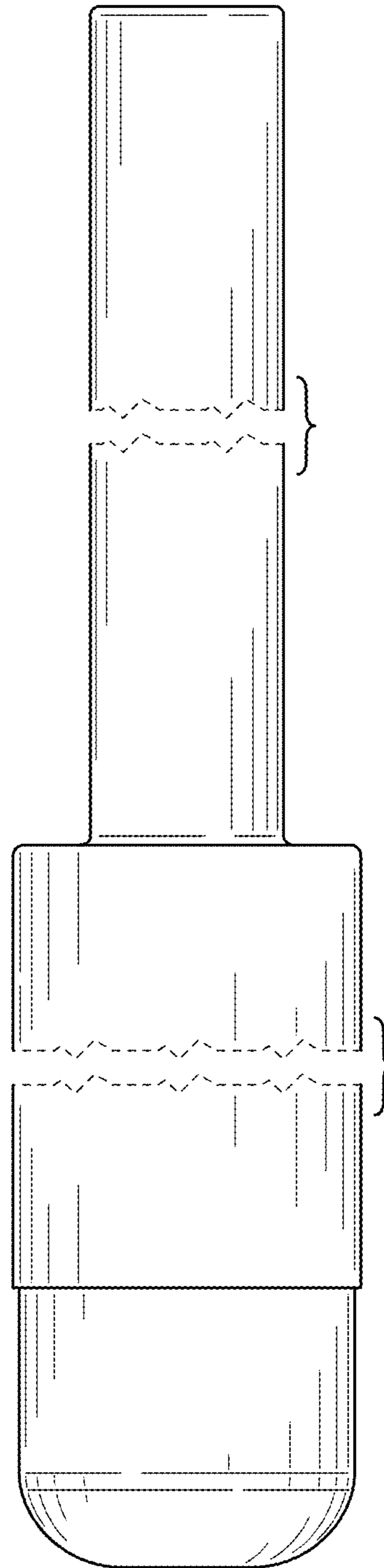


FIG. 7