



US00D896316S

(12) **United States Design Patent**  
**Johnson**

(10) **Patent No.:** **US D896,316 S**

(45) **Date of Patent:** **\*\* Sep. 15, 2020**

(54) **ARROW DART**

(71) Applicant: **Brian L. Johnson**, Hayward, WI (US)

(72) Inventor: **Brian L. Johnson**, Hayward, WI (US)

(\*\*) Term: **15 Years**

(21) Appl. No.: **29/682,399**

(22) Filed: **Mar. 5, 2019**

(51) **LOC (12) Cl.** ..... **21-01**

(52) **U.S. Cl.**  
USPC ..... **D21/387**

(58) **Field of Classification Search**  
USPC ..... D21/300, 301, 302, 307, 308, 334, 335,  
D21/363, 365, 370, 385-389, 392, 397  
CPC .... F42B 6/003; F42B 6/02; F42B 6/04; F42B  
6/06; F42B 6/08; F42B 6/10; A63H 33/18  
See application file for complete search history.

(56) **References Cited**

U.S. PATENT DOCUMENTS

1,444,913	A *	2/1923	Hampel	.....	F41J 3/0076 273/408
5,223,667	A *	6/1993	Anderson	.....	F42B 10/08 102/517
5,388,840	A *	2/1995	Werle	.....	F42B 6/003 473/586
5,498,004	A *	3/1996	Mariella	.....	F42B 6/003 29/527.2
D380,784	S *	7/1997	Smith	.....	D21/387
D381,372	S *	7/1997	Smith	.....	D21/387
D394,085	S *	5/1998	Leedy	.....	401/195
D395,465	S *	6/1998	Smith	.....	F42B 6/003 D21/387
D399,539	S *	10/1998	Smith	.....	F41J 3/0076 D21/387
D403,370	S *	12/1998	Bottelsen	.....	F42B 6/003 D21/387

6,758,772	B1 *	7/2004	Chambers	.....	F42B 6/003 473/578
D562,411	S *	2/2008	Jones	.....	F42B 6/003 D21/387
8,617,010	B2 *	12/2013	Marshall, Jr.	.....	F42B 6/06 473/586
D878,487	S *	3/2020	Lallier	.....	F42B 6/06 D21/570

\* cited by examiner

*Primary Examiner* — George D. Kirschbaum

*Assistant Examiner* — Joseph J Kukella

(74) *Attorney, Agent, or Firm* — K&L Gates LLP

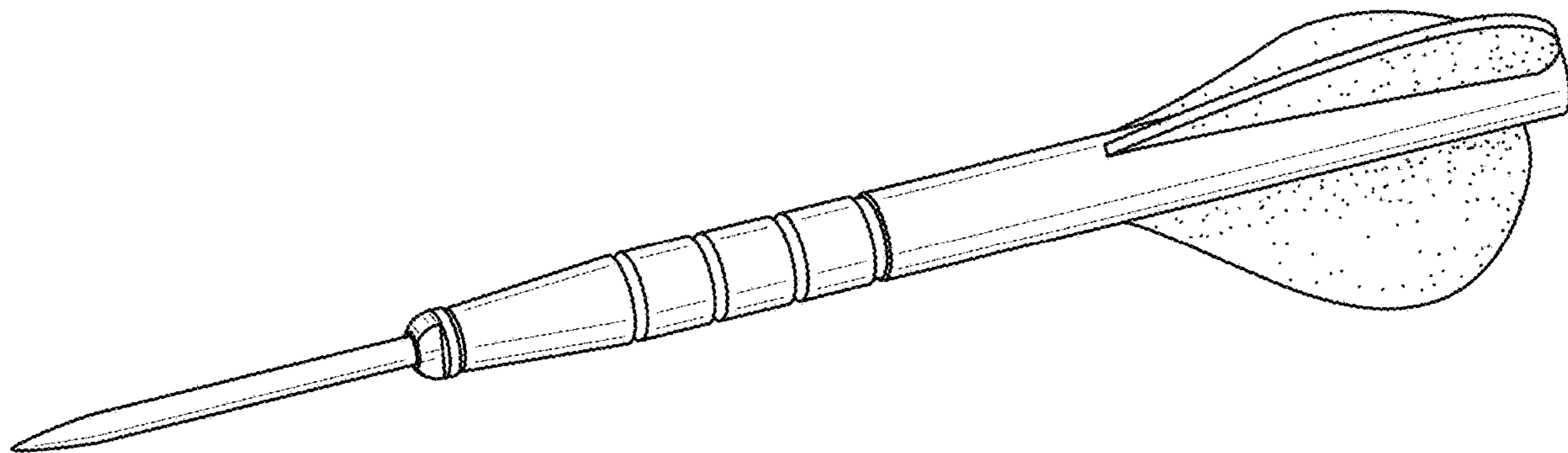
(57) **CLAIM**

The ornamental design for an arrow dart, as shown and described.

**DESCRIPTION**

FIG. 1 illustrates a front perspective view of an arrow dart; FIG. 2 illustrates a front view thereof; FIG. 3 illustrates a rear view thereof; FIG. 4 illustrates a side view thereof; FIG. 5 illustrates another side view thereof; FIG. 6 illustrates another side view thereof; and FIG. 7 illustrates another side view thereof. FIG. 8 illustrates a front perspective view of another arrow dart; FIG. 9 illustrates a front view thereof; FIG. 10 illustrates a back view thereof; FIG. 11 illustrates a side view thereof; FIG. 12 illustrates another side view thereof; FIG. 13 illustrates another side view thereof; and FIG. 14 illustrates another side view thereof. In all Figures, broken lines illustrate environmental features and form no part of the claimed design.

**1 Claim, 8 Drawing Sheets**



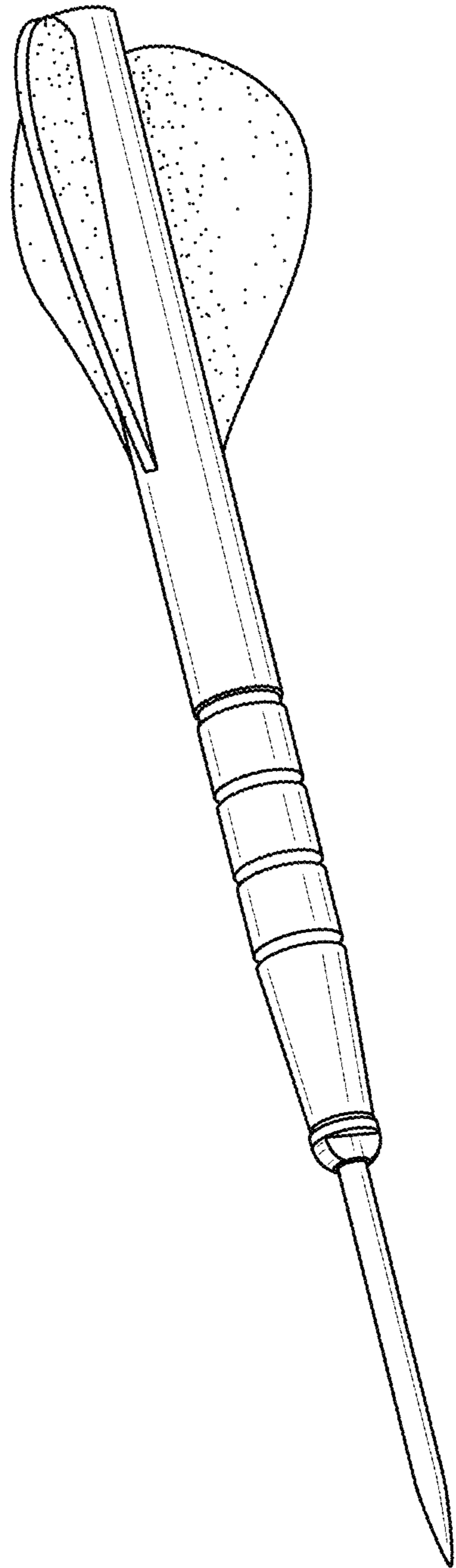


FIG. 1

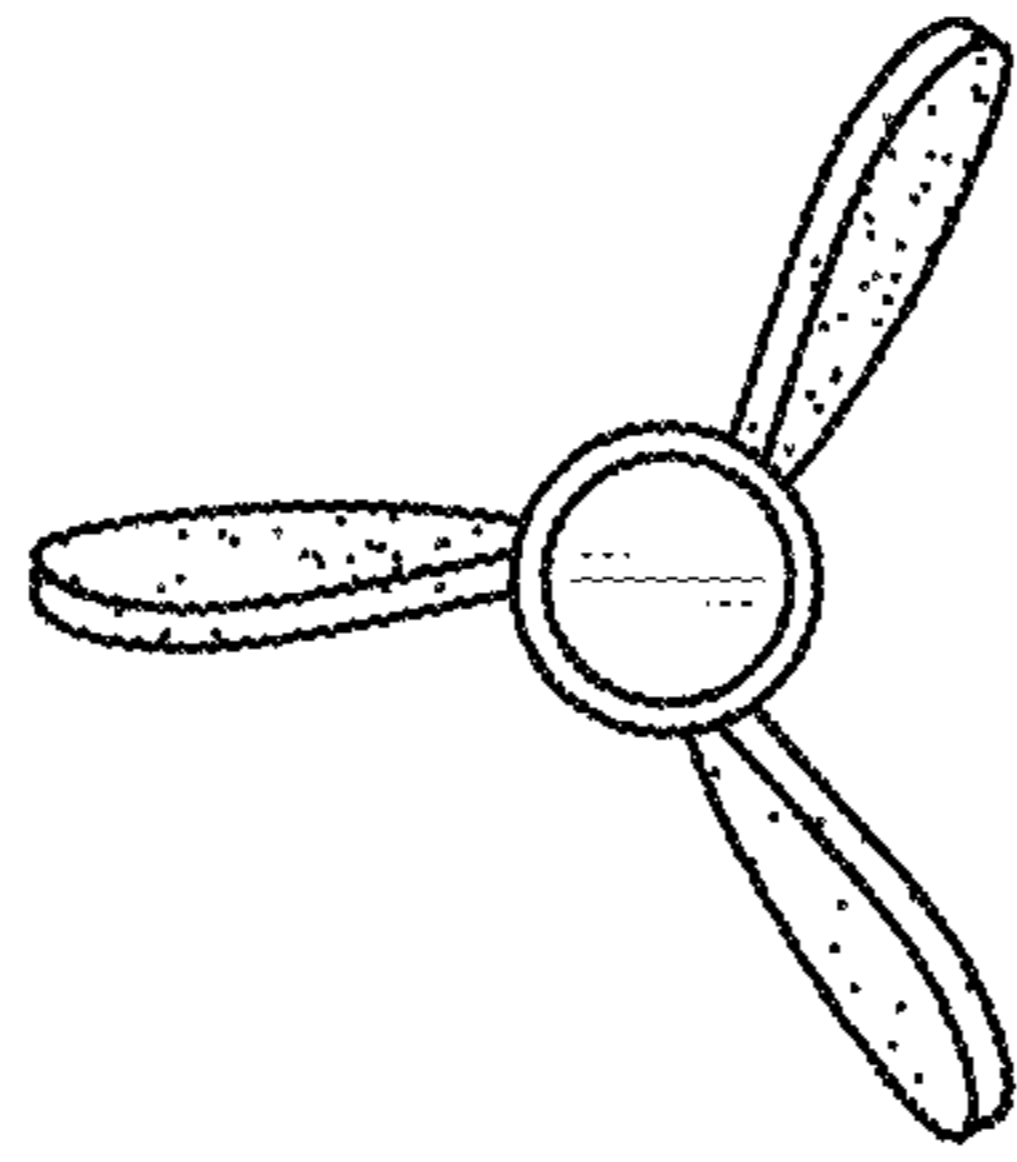


FIG. 3

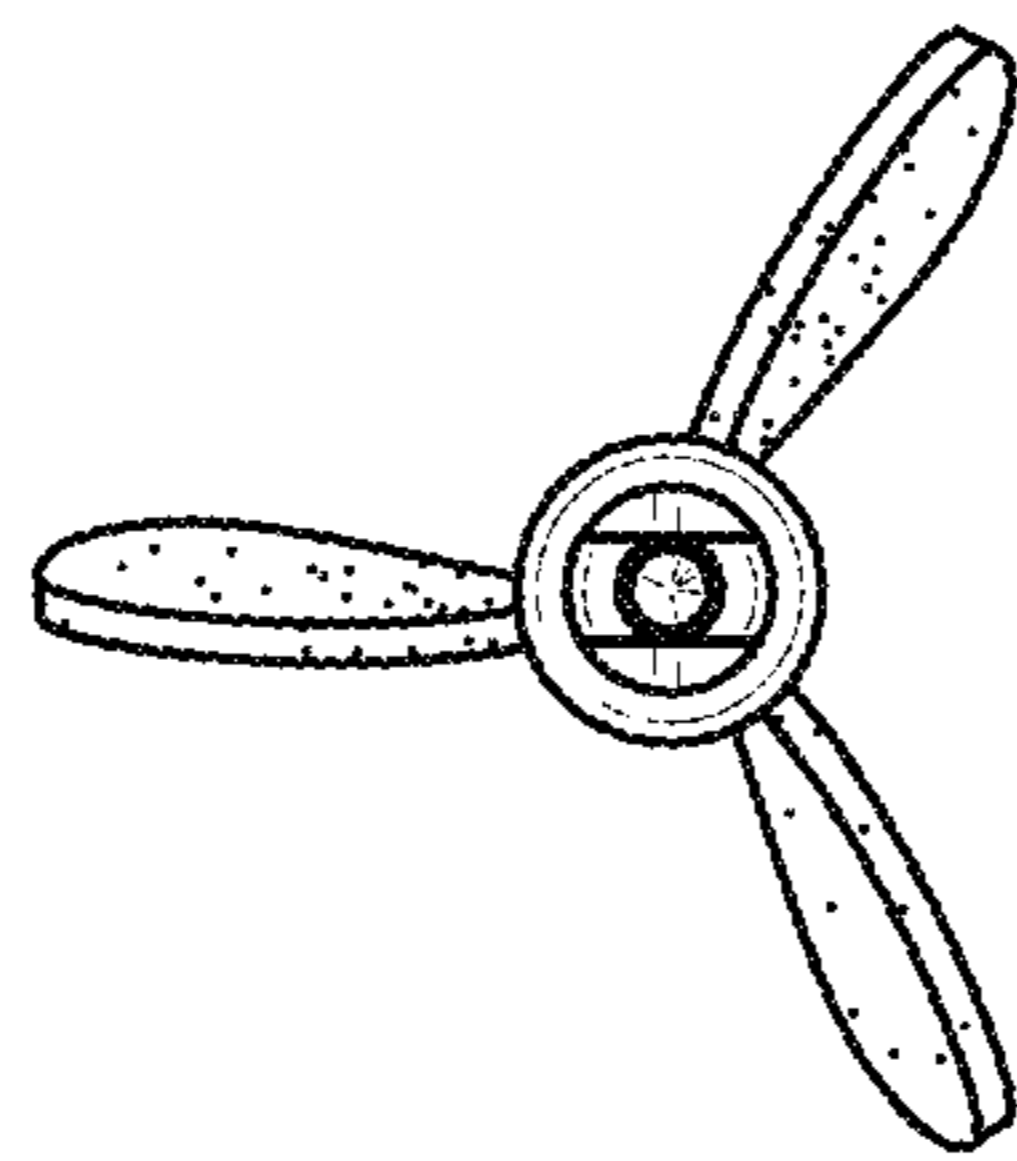


FIG. 2

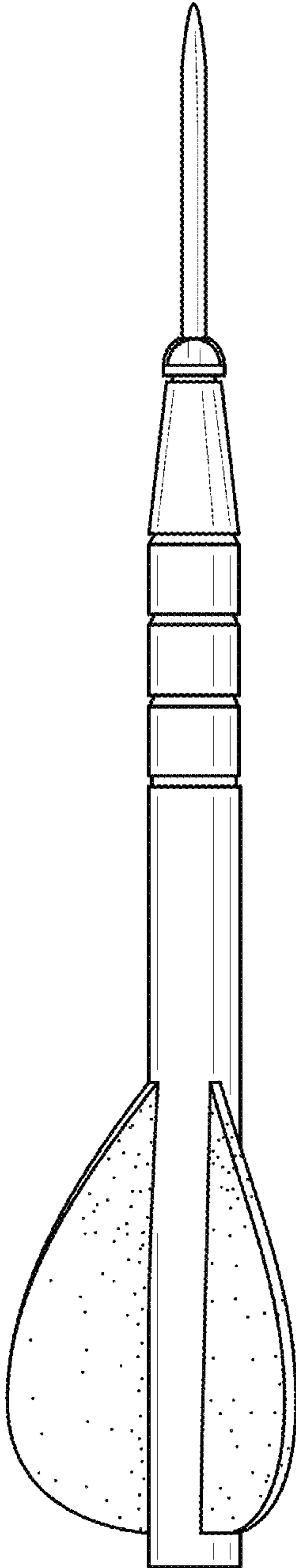


FIG. 4

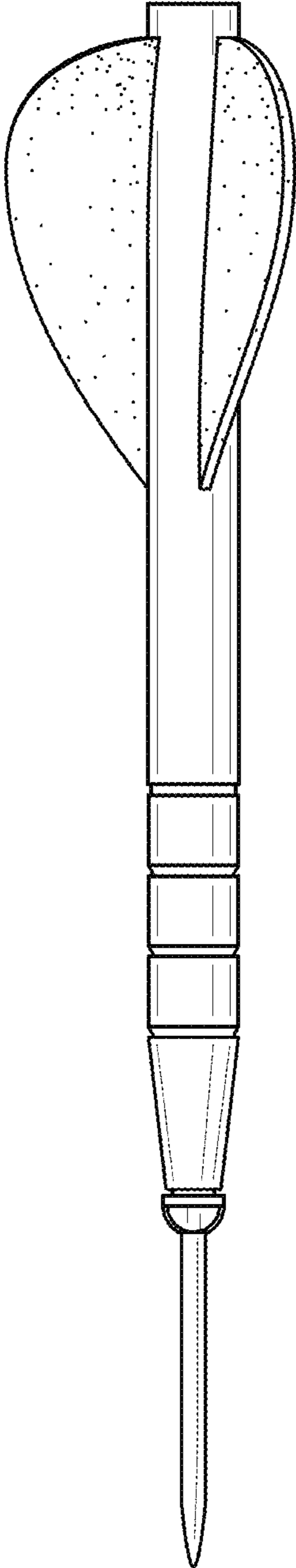


FIG. 5

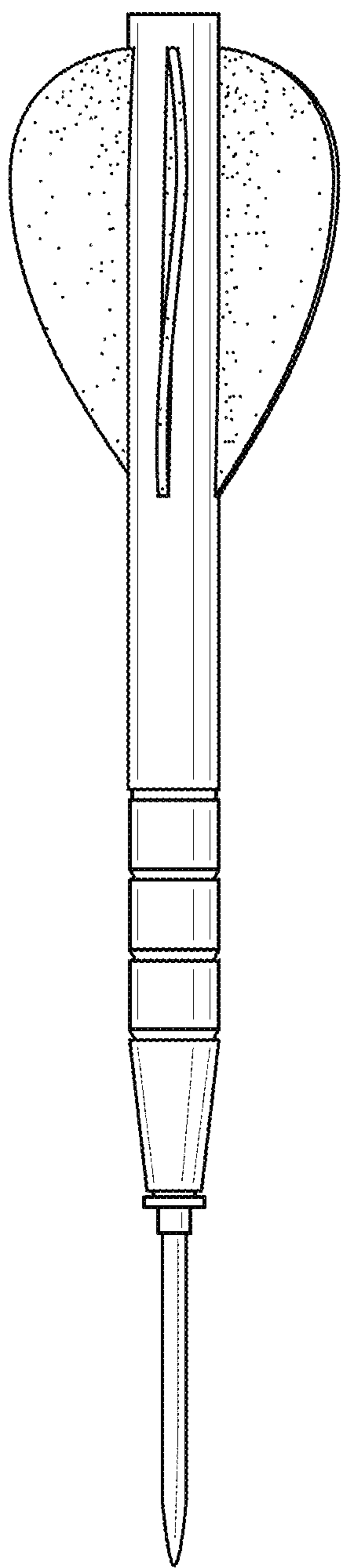


FIG. 6

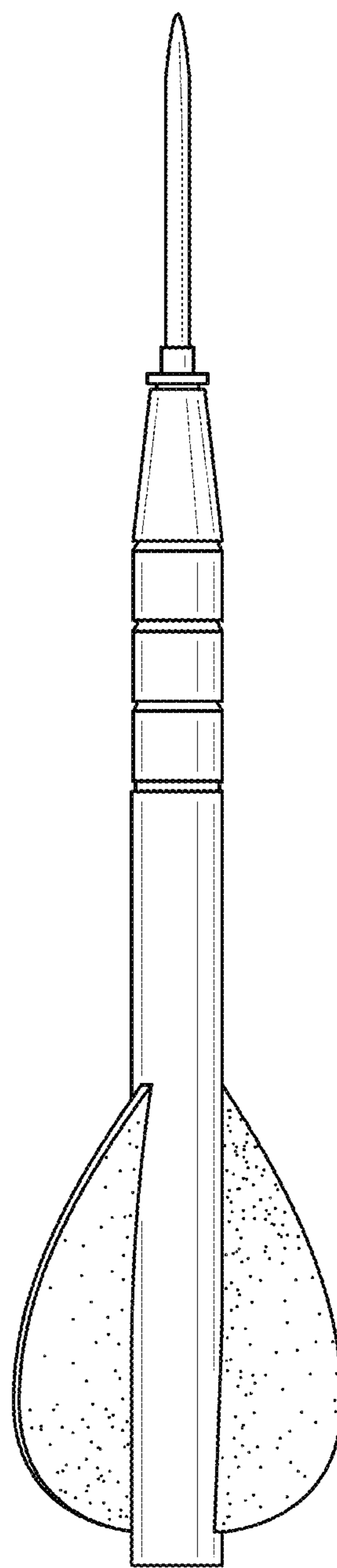


FIG. 7

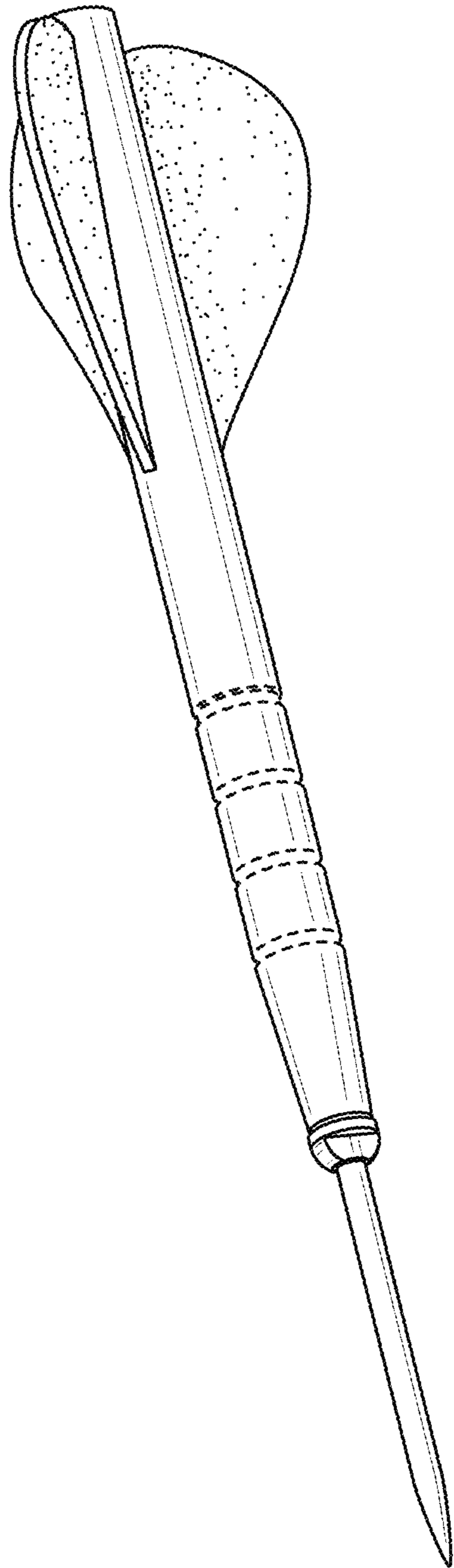


FIG. 8

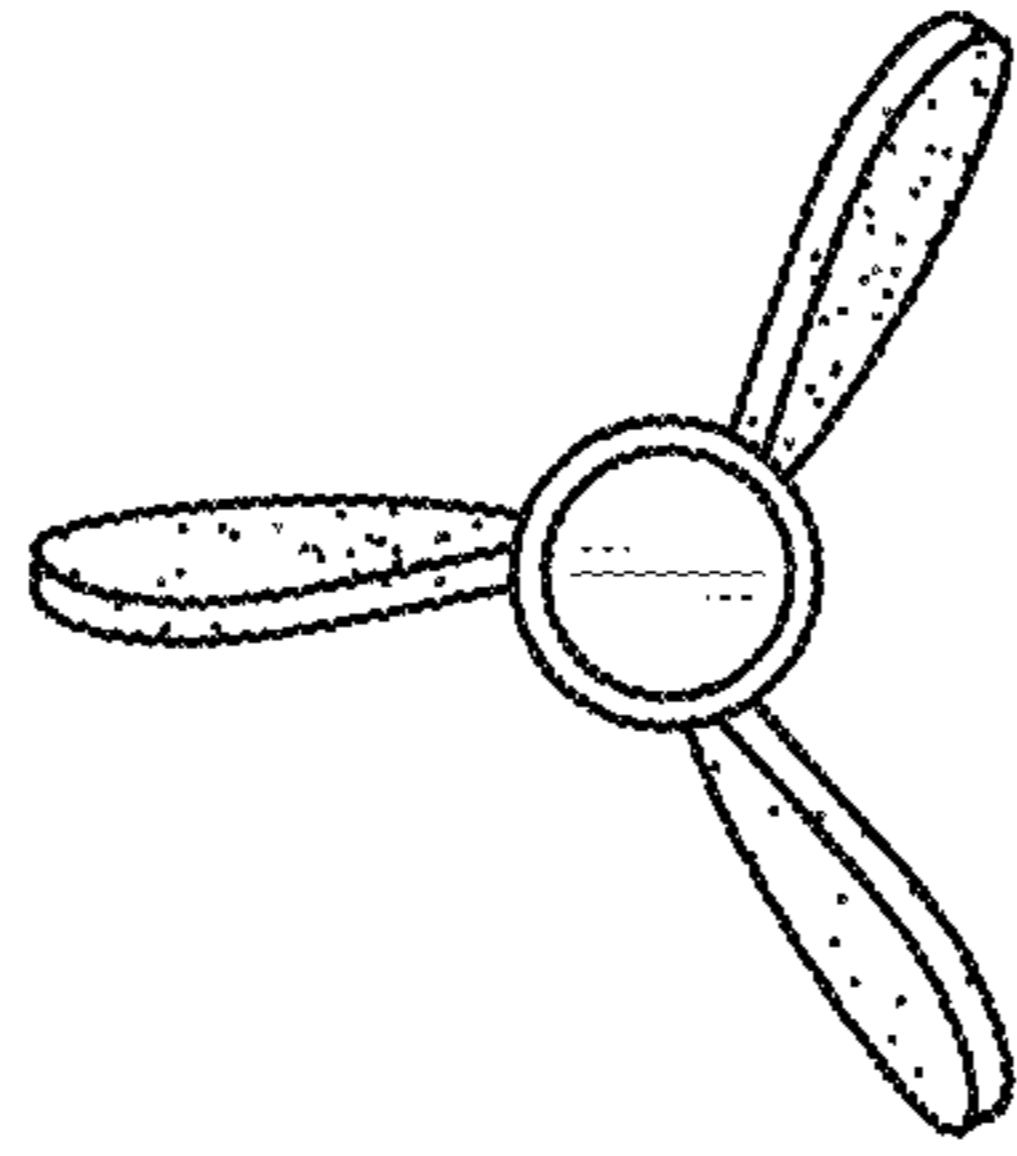


FIG. 10

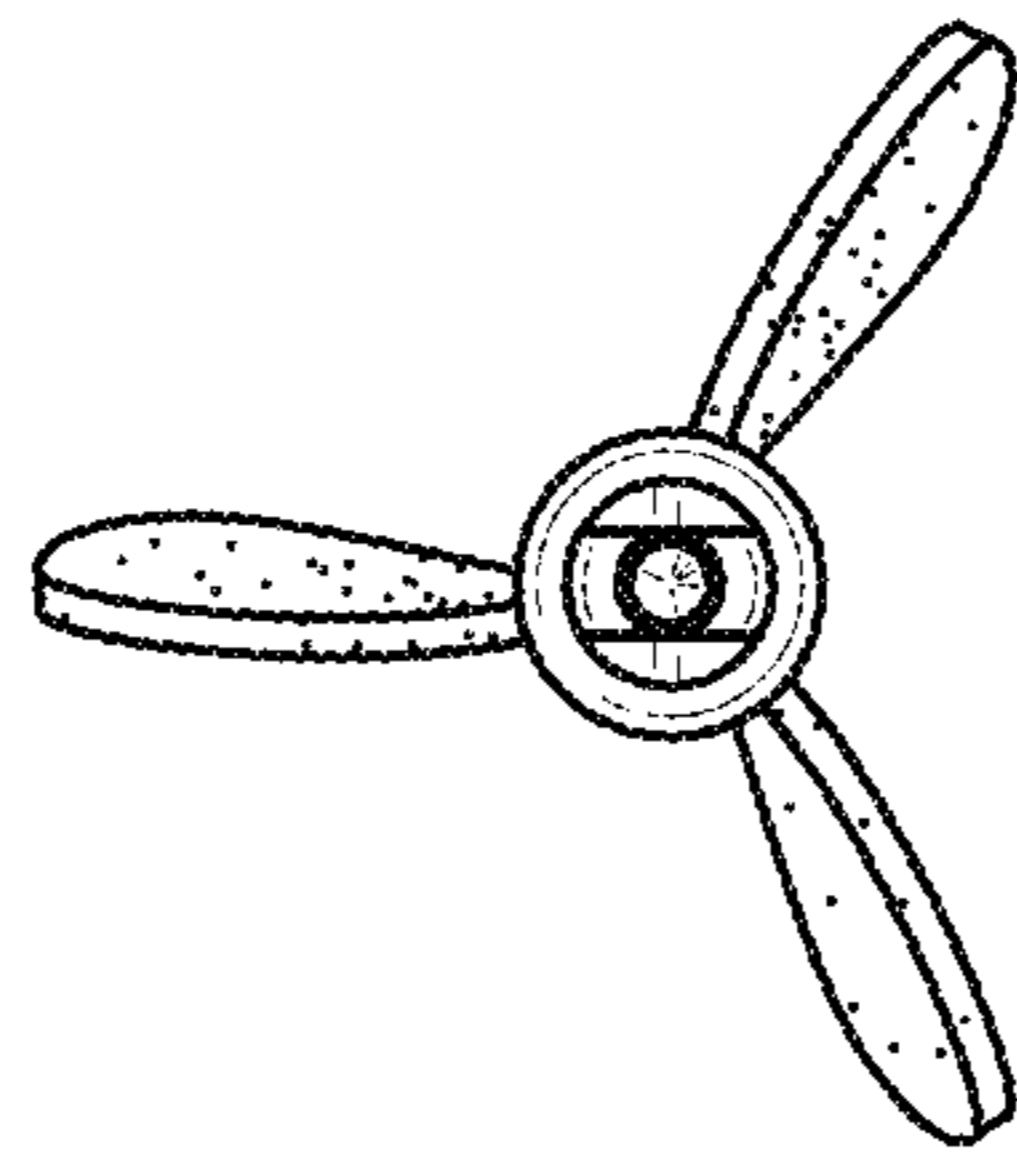


FIG. 9

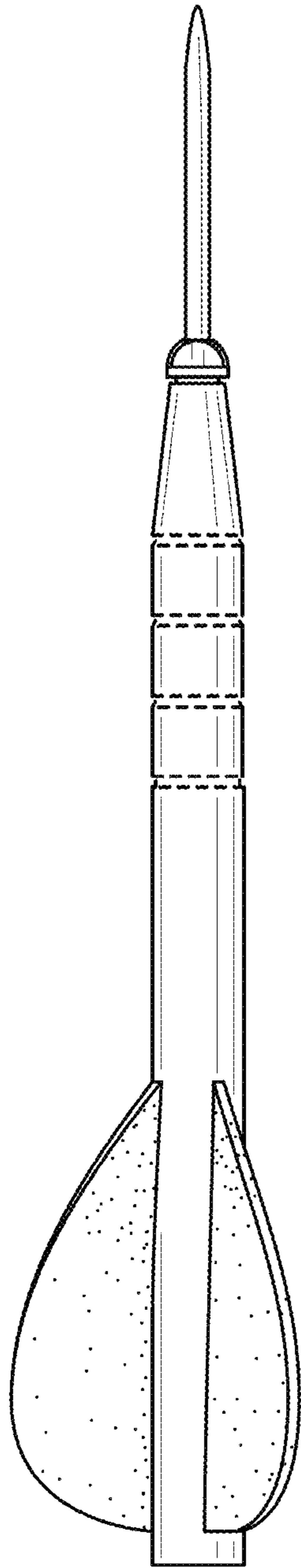


FIG. 11

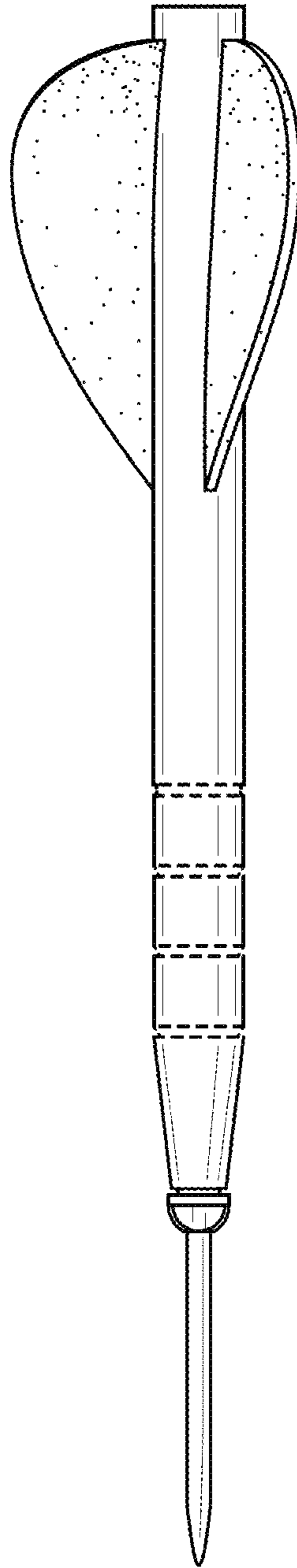


FIG. 12



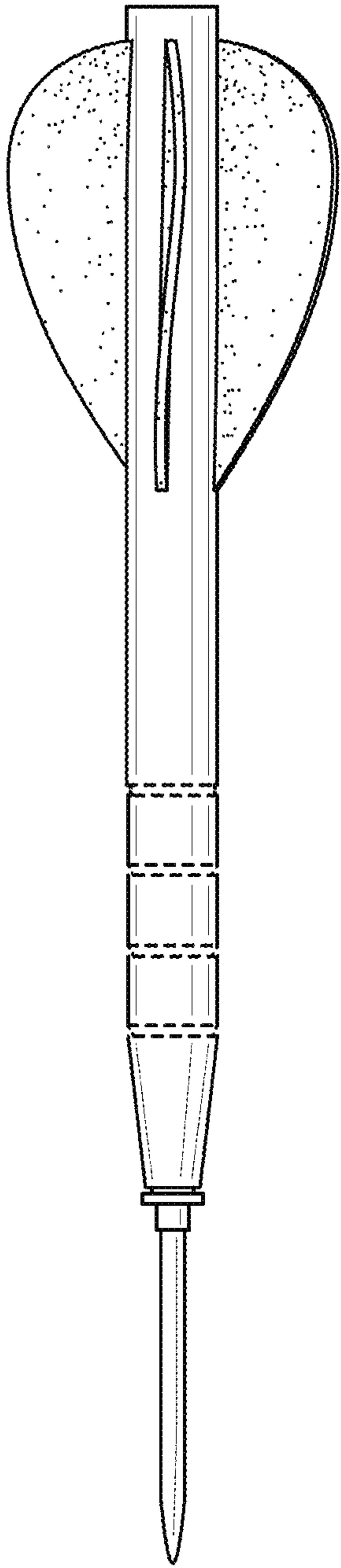


FIG. 13

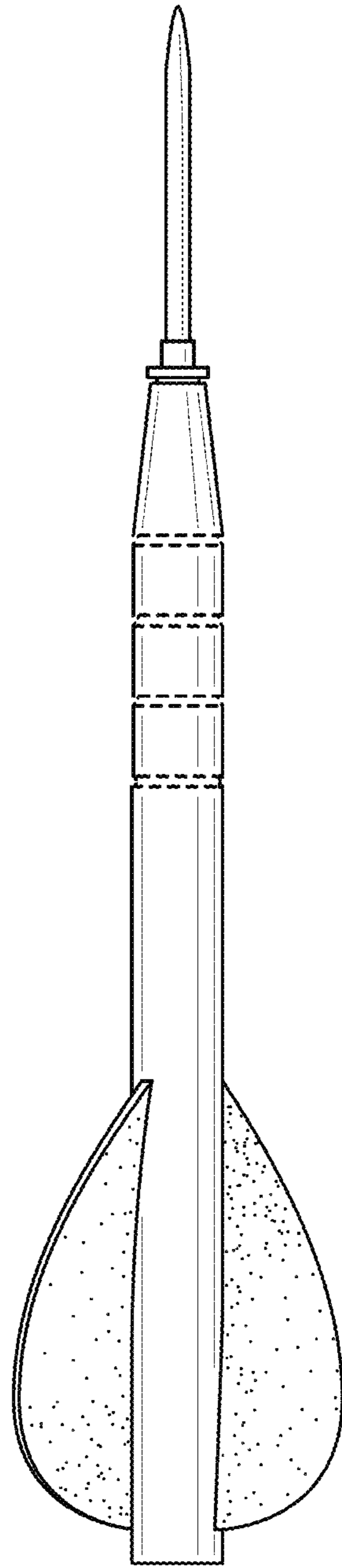


FIG. 14