



US00D896312S

(12) **United States Design Patent** (10) **Patent No.:** **US D896,312 S**
Castro et al. (45) **Date of Patent:** **** Sep. 15, 2020**

- (54) **GAMING MACHINE WITH CURVED DISPLAY**
- (71) Applicant: **BALLY GAMING, INC.**, Las Vegas, NV (US)
- (72) Inventors: **Christian L. Castro**, Chicago, IL (US);
Robert J. Glenn, II, Chicago, IL (US);
Paul M. Lesley, Chicago, IL (US)
- (73) Assignee: **SG Gaming, Inc.**, Las Vegas, NV (US)
- (**) Term: **15 Years**
- (21) Appl. No.: **29/719,915**
- (22) Filed: **Jan. 8, 2020**

Related U.S. Application Data

- (63) Continuation of application No. 29/683,228, filed on Mar. 12, 2019, which is a continuation of application No. 29/649,837, filed on Jun. 1, 2018, now Pat. No. Des. 843,480, which is a continuation of application No. 29/559,629, filed on Mar. 30, 2016, now Pat. No. Des. 819,747.
- (51) **LOC (12) Cl.** **21-03**
- (52) **U.S. Cl.**
USPC **D21/369**
- (58) **Field of Classification Search**
USPC D21/369, 370, 371, 385, 329, 325, 394;
D14/307, 172, 129, 325, 401, 371, 126,
D14/439, 432, 450, 128, 375, 248, 374,
D14/341, 138 G, 127; 463/28, 13, 11,
463/16, 20, 25, 31, 46, 23, 30, 17, 36, 29,
463/42, 34, 32, 35, 19, 21, 22; 273/292,
273/203, 138.2, 143 R, 142 R, 138.1;
D19/60; D16/226; D8/335, 331, 334;
D26/141; D7/641
CPC G07F 17/32; G07F 17/34; G07F 17/3211;
G07F 17/3244; G07F 17/3267
See application file for complete search history.

(56) **References Cited**

U.S. PATENT DOCUMENTS

2,661,954 A	12/1953	Koci
D236,720 S	9/1975	Baker
D238,379 S	1/1976	Miller
3,943,282 A	3/1976	Muntz

(Continued)

FOREIGN PATENT DOCUMENTS

EP	649 671 A1	4/1995
JP	03210172 B2	9/2001

(Continued)

OTHER PUBLICATIONS

Product Sheet for "American Eagle," Eagle Co. Ltd., 1997 (2 pages).

(Continued)

Primary Examiner — Ryan Harvey

(74) *Attorney, Agent, or Firm* — Banner & Witcoff, Ltd.

(57) **CLAIM**

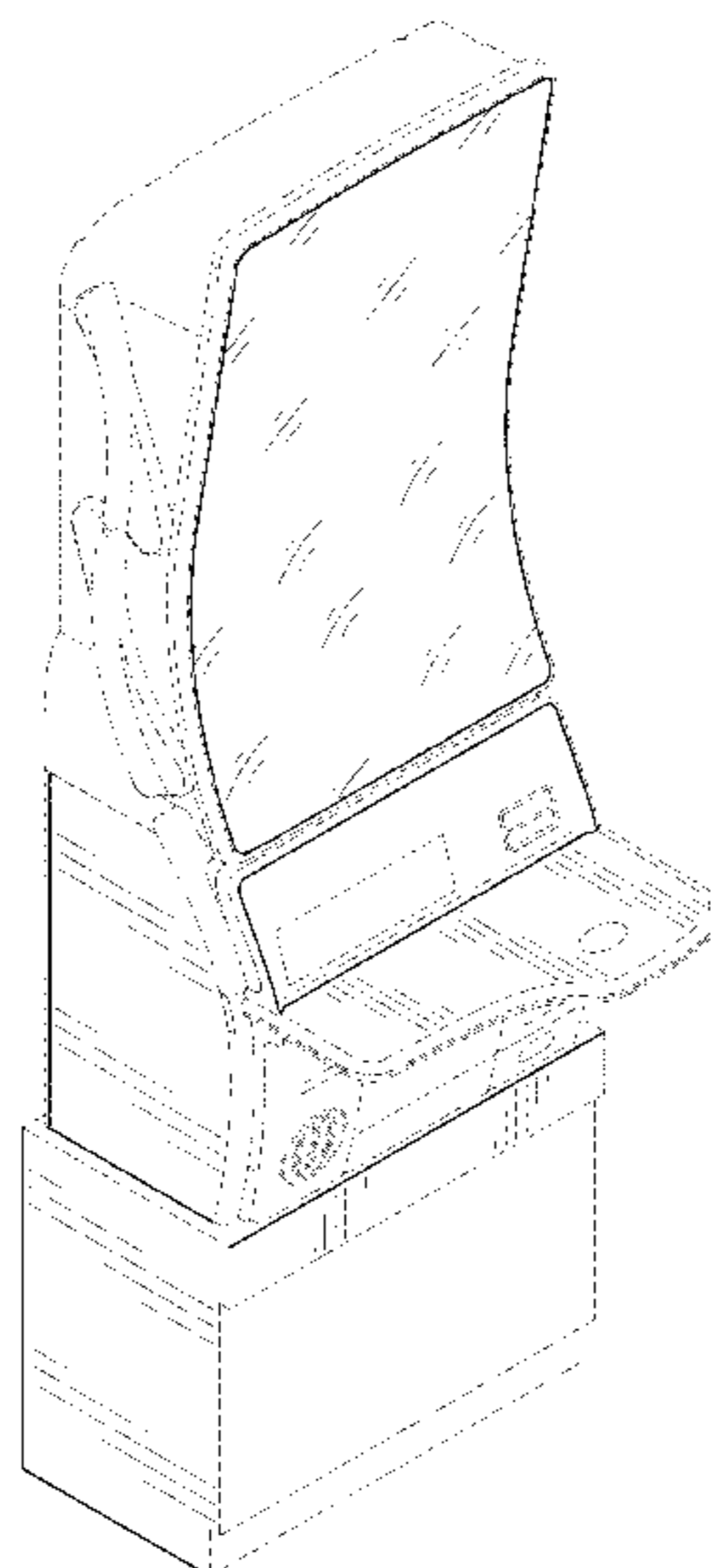
The ornamental design for a gaming machine with curved display, as shown and described.

DESCRIPTION

FIG. 1 is a left front perspective view of a gaming machine with curved display showing our new design; FIG. 2 is a right front perspective view thereof; FIG. 3 is a front view thereof; and, FIG. 4 is a right side view thereof, the left side view being a mirror image thereof.

The broken lines depicting the remainder of the gaming machine with curved display show features that form no part of the claimed design. The oblique line shading on the curved display depicts a transparent, translucent, highly polished or reflective surface.

1 Claim, 3 Drawing Sheets



(56)

References Cited

U.S. PATENT DOCUMENTS			
4,046,419	A	9/1977	Schmitt
D264,485	S	5/1982	Kitchen
4,372,557	A	2/1983	Del Principe et al.
4,373,725	A	2/1983	Ritchie
D275,772	S	10/1984	Akopian et al.
D280,835	S	10/1985	Berge et al.
D280,836	S	10/1985	Ludzia et al.
4,606,545	A	8/1986	Ritchie
4,705,274	A	11/1987	Lubeck
4,840,343	A	6/1989	Gasser
4,861,037	A	8/1989	Oursler
4,930,117	A	5/1990	Huggins
4,960,117	A	10/1990	Moncrief et al.
4,981,298	A	1/1991	Lawlor et al.
D315,110	S	3/1991	Slater
5,015,189	A	5/1991	Wenzinger
D318,660	S	7/1991	Weber
5,074,558	A	12/1991	Bleich et al.
5,083,738	A	1/1992	Infanti
5,091,677	A	2/1992	Bleich et al.
5,102,192	A	4/1992	Barile, Sr.
5,110,120	A	5/1992	Smolucha
5,114,112	A	5/1992	Infanti
5,120,058	A	6/1992	Trudeau et al.
5,123,647	A	6/1992	Lawlor et al.
5,143,055	A	9/1992	Eakin
5,149,094	A	9/1992	Tastad
D333,164	S	2/1993	Kraft et al.
5,193,807	A	3/1993	Schilling et al.
5,195,746	A	3/1993	Boyd et al.
D335,150	S	4/1993	Biagi et al.
5,226,653	A	7/1993	Bil et al.
5,232,191	A	8/1993	Infanti
5,290,034	A	3/1994	Hineman
5,297,793	A	3/1994	DeMar et al.
5,316,303	A	5/1994	Trudeau et al.
5,322,283	A	6/1994	Ritchie et al.
5,326,104	A	7/1994	Pease et al.
5,350,174	A	9/1994	Ritchie et al.
D351,869	S	10/1994	Rothschild et al.
5,351,954	A	10/1994	Oursler et al.
5,357,104	A	10/1994	Bleich
5,358,241	A	10/1994	Anghelo et al.
5,358,242	A	10/1994	Trudeau et al.
5,358,243	A	10/1994	Eddy et al.
D352,738	S	11/1994	Anghelo et al.
5,383,663	A	1/1995	Anghelo et al.
5,405,144	A	4/1995	Ritchie et al.
5,409,296	A	4/1995	Barile
5,411,257	A	5/1995	Fulton
5,415,402	A	5/1995	Morrison et al.
5,415,403	A	5/1995	Ritchie et al.
5,417,423	A	5/1995	Oursler et al.
5,417,425	A	5/1995	Blumberg et al.
5,437,453	A	8/1995	Hineman
5,465,963	A	11/1995	Pafla, Sr.
5,472,197	A	12/1995	Gwiasda et al.
5,494,286	A	2/1996	DeMar et al.
5,507,488	A	4/1996	Eddy et al.
5,511,783	A	4/1996	Popadiuk et al.
5,516,103	A	5/1996	Lawlor et al.
5,522,641	A	6/1996	Infanti
5,524,887	A	6/1996	Trudeau et al.
5,533,726	A	7/1996	Nordman et al.
5,542,748	A	8/1996	Barile
D376,391	S	12/1996	Okumura
5,580,052	A	12/1996	Popadiuk et al.
5,632,482	A	5/1997	Anghelo
D380,014	S	6/1997	Yang
5,655,965	A	8/1997	Takemoto et al.
5,664,777	A	9/1997	Nordman et al.
5,669,818	A	9/1997	Thorner et al.
5,678,886	A	10/1997	Infanti
5,697,612	A	12/1997	Piotrowski et al.
5,704,835	A	1/1998	Dietz, II
5,707,059	A	1/1998	Sullivan et al.
5,720,480	A	2/1998	Lawlor et al.
D395,463	S	6/1998	Scott et al.
5,762,617	A	6/1998	Infanti
5,791,731	A	8/1998	Infanti
5,806,851	A	9/1998	Gomez et al.
5,820,460	A	10/1998	Fulton
5,833,236	A	11/1998	Oursler et al.
D405,473	S	2/1999	Tikhonski et al.
D407,759	S	4/1999	Isetani et al.
D408,366	S	4/1999	Popadiuk
5,890,715	A	4/1999	Gomez et al.
5,899,454	A	5/1999	Eddy
5,924,690	A	7/1999	Kopera et al.
5,934,672	A	8/1999	Sines et al.
5,938,195	A	8/1999	Anghelo et al.
5,944,309	A	8/1999	Popadiuk et al.
D417,145	S	11/1999	McLaughlin
5,984,782	A	11/1999	Inoue
6,000,697	A	12/1999	Popadiuk et al.
D419,201	S	1/2000	de Haas
D419,606	S	1/2000	Toriyama
6,036,188	A	3/2000	Gomez et al.
6,047,962	A	4/2000	Popadiuk
6,047,963	A	4/2000	Pierce et al.
D424,122	S	5/2000	Dickenson et al.
6,071,190	A	6/2000	Weiss et al.
D428,062	S	7/2000	Hayashi
6,089,663	A	7/2000	Hill
6,102,394	A	8/2000	Wurz et al.
6,113,097	A	9/2000	Krutsch et al.
6,117,010	A	9/2000	Canterbury et al.
6,120,021	A	9/2000	Piotrowski et al.
6,129,353	A	10/2000	DeMar et al.
6,129,355	A	10/2000	Hahn et al.
6,135,449	A	10/2000	Cornell et al.
6,135,562	A	10/2000	Infanti
6,149,153	A	11/2000	Sheats, Jr.
6,155,565	A	12/2000	Gomez et al.
6,155,925	A	12/2000	Giobbi et al.
6,158,737	A	12/2000	Cornell et al.
6,159,098	A	12/2000	Slomiany et al.
6,164,644	A	12/2000	Cornell et al.
6,173,955	B1	1/2001	Perrie et al.
6,199,861	B1	3/2001	Hume et al.
D439,931	S	4/2001	Yamaguchi
6,210,279	B1	4/2001	Dickinson
6,224,482	B1	5/2001	Bennett
6,227,614	B1	5/2001	Rubin
6,227,970	B1	5/2001	Shimizu et al.
D443,313	S	6/2001	Brettschneider
D446,252	S	8/2001	Yamaguchi
6,283,546	B1	9/2001	Hill
6,290,229	B1	9/2001	Perez
D450,094	S	11/2001	Hedrick et al.
6,334,612	B1	1/2002	Wurz et al.
6,354,660	B1	3/2002	Friedrich
D459,402	S	6/2002	Wurz et al.
6,422,670	B1	7/2002	Hedrick et al.
6,422,941	B1	7/2002	Thorner et al.
6,439,993	B1	8/2002	O'Halloran
D463,504	S	9/2002	Stephan
D464,377	S	10/2002	Wurz et al.
D465,813	S	11/2002	Randall
D466,160	S	11/2002	Hirato et al.
D467,977	S	12/2002	Gatto et al.
D468,364	S	1/2003	Beadell et al.
6,530,842	B1	3/2003	Wells et al.
6,530,872	B2	3/2003	Frehland et al.
6,572,187	B2	6/2003	Laufer
6,589,114	B2	7/2003	Rose
6,609,972	B2	8/2003	Seelig et al.
6,616,142	B2	9/2003	Adams
6,620,047	B1	9/2003	Alcorn et al.
D481,078	S	10/2003	Stephan
6,646,695	B1	11/2003	Gauselmann
6,652,378	B2	11/2003	Cannon et al.
D483,075	S	12/2003	Kang
D484,548	S	12/2003	Franco Munoz et al.

(56)

References Cited

U.S. PATENT DOCUMENTS

D485,583 S	1/2004	Porto	7,686,689 B2	3/2010	Thomas
6,715,756 B2	4/2004	Inoue	D613,802 S	4/2010	Meyers et al.
6,729,618 B1	5/2004	Koenig et al.	D615,598 S	5/2010	McComb et al.
D492,363 S	6/2004	Seelig et al.	7,713,119 B2	5/2010	Pacey et al.
D492,364 S	6/2004	Seelig et al.	D622,780 S	8/2010	Lesley et al.
D492,365 S	6/2004	Munoz et al.	D622,781 S	8/2010	Lesley et al.
D492,676 S	7/2004	Monson et al.	D622,782 S	8/2010	Chudek et al.
D493,843 S	8/2004	Jackson, Sr. et al.	D626,182 S	10/2010	Cole et al.
D493,846 S	8/2004	Seelig et al.	D626,183 S	10/2010	Cole et al.
D495,754 S	9/2004	Wurz et al.	7,811,167 B2	10/2010	Giobbi et al.
D495,755 S	9/2004	Wurz et al.	D631,060 S	1/2011	Flik et al.
D498,267 S	11/2004	Crouch	D631,100 S	1/2011	Palmisano
D500,098 S	12/2004	Doi	D633,950 S	3/2011	Terpstra et al.
6,880,825 B2	4/2005	Seelig et al.	D637,238 S	5/2011	O'Keene et al.
D505,162 S	5/2005	Bristol et al.	D637,652 S	5/2011	Tahara et al.
D508,268 S	8/2005	Hanchar et al.	7,938,728 B2	5/2011	Vetter et al.
D508,269 S	8/2005	Wichinsicy	7,942,417 B2	5/2011	Smith
D508,719 S	8/2005	de Haas	7,955,176 B2	6/2011	Tastad et al.
D508,961 S	8/2005	Gatto et al.	D641,047 S	7/2011	Tahara et al.
D509,254 S	9/2005	Rasmussen et al.	7,976,393 B2	7/2011	Haga et al.
D509,255 S	9/2005	Bristol et al.	7,985,139 B2	7/2011	Lind et al.
D512,105 S	11/2005	Chitrapongse et al.	8,002,424 B2	8/2011	Hwang et al.
D513,511 S	1/2006	Decombe	8,002,626 B2	8/2011	Englman
D515,144 S	2/2006	Boyd	D646,336 S	10/2011	Kelly et al.
6,997,810 B2	2/2006	Cole	D646,337 S	10/2011	Kelly et al.
D520,504 S	5/2006	Martin	D646,691 S	10/2011	Thai et al.
7,063,615 B2	6/2006	Alcorn et al.	D649,605 S	11/2011	Terpstra et al.
D525,664 S	7/2006	Cole	D651,608 S	1/2012	Allen et al.
7,108,237 B2	9/2006	Gauselmann	8,152,623 B2	4/2012	Fiden
D531,677 S	11/2006	Mallory et al.	8,162,740 B2	4/2012	Aoki
7,184,277 B2	2/2007	Beirne	8,216,061 B2	7/2012	Pacey
D537,885 S	3/2007	Gadda et al.	8,267,764 B1	9/2012	Aoki et al.
D539,854 S	4/2007	Luciano et al.	D669,076 S	10/2012	Haller
D540,398 S	4/2007	Gadda et al.	8,292,451 B2	10/2012	Hwang et al.
D546,893 S	7/2007	Yamashita	8,303,420 B2	11/2012	Chudek et al.
7,247,098 B1	7/2007	Bradford et al.	8,305,743 B2	11/2012	Wu et al.
D548,801 S	8/2007	Groswirt	8,323,114 B2	12/2012	Burak et al.
D549,785 S	8/2007	Luciano, Jr. et al.	D673,620 S	1/2013	Johnson et al.
7,267,612 B2	9/2007	Alcorn et al.	8,353,755 B2	1/2013	Vann et al.
D554,710 S	11/2007	Malone et al.	8,371,920 B2	2/2013	Gomez et al.
D556,765 S	12/2007	Evans et al.	8,371,927 B2	2/2013	Englman
D557,748 S	12/2007	Jumper	8,371,928 B2	2/2013	Englman et al.
D559,328 S	1/2008	Rasmussen et al.	8,376,832 B2	2/2013	O'Connor et al.
D559,917 S	1/2008	Cole	D678,955 S	3/2013	Lesley et al.
D560,724 S	1/2008	Johnson	D678,956 S	3/2013	Lesley et al.
D560,725 S	1/2008	Johnson	D678,957 S	3/2013	Cesaroni et al.
D563,326 S	3/2008	Patel et al.	D678,958 S	3/2013	Cesaroni et al.
D563,481 S	3/2008	Looks et al.	D681,130 S	4/2013	Lesley et al.
D564,600 S	3/2008	Greenberg et al.	8,430,756 B2	4/2013	McComb et al.
D564,601 S	3/2008	Strahinic et al.	D682,948 S	5/2013	Cesaroni et al.
D566,197 S	4/2008	Greenberg et al.	D685,033 S	6/2013	Wudtke
D569,863 S	5/2008	Feldstein et al.	D691,665 S	10/2013	Chudek
D572,314 S	7/2008	Vallejo et al.	D691,666 S	10/2013	Lesley et al.
D573,417 S	7/2008	Osbourn	D693,343 S	11/2013	Haller
D578,168 S	10/2008	Looks et al.	D697,558 S	1/2014	Myers et al.
D581,983 S	12/2008	Bergstrom	D704,273 S	5/2014	Chudek
RE40,625 E	1/2009	Wurz et al.	D704,275 S	5/2014	Lesley et al.
7,479,066 B2	1/2009	Emori	D706,359 S	6/2014	Wudtke
D587,272 S	2/2009	Morrow et al.	D706,741 S	6/2014	Myers
D587,319 S	2/2009	Moises Deiab	D707,646 S	6/2014	Kim et al.
RE40,671 E	3/2009	Wurz et al.	D712,975 S	9/2014	Lesley et al.
7,503,849 B2	3/2009	Hornik et al.	D713,811 S	9/2014	Isaacs et al.
D590,025 S	4/2009	Fiore	D714,269 S	9/2014	Lee et al.
D591,360 S	4/2009	Fiore	D714,270 S	9/2014	Lee et al.
D594,068 S	6/2009	Hsu	D714,271 S	9/2014	Lee et al.
D596,678 S	7/2009	Myers	D714,875 S	10/2014	Wudtke et al.
D599,365 S	9/2009	Brown et al.	D715,364 S	10/2014	Wudtke et al.
D599,858 S	9/2009	Lesley et al.	D716,246 S	10/2014	Yun et al.
D599,859 S	9/2009	Lesley	D719,615 S	12/2014	Inoue et al.
D599,860 S	9/2009	Lesley et al.	D719,616 S	12/2014	Inoue et al.
D601,637 S	10/2009	Myers	8,982,545 B2	3/2015	Kim et al.
D601,638 S	10/2009	Palmisano	D726,140 S	4/2015	Park et al.
D604,368 S	11/2009	Lesley et al.	D730,993 S	6/2015	Castro et al.
7,628,693 B2	12/2009	Thomas	D733,088 S	6/2015	Garneau et al.
7,666,085 B2	2/2010	Vorias	D736,751 S	8/2015	Lee et al.
			D736,752 S	8/2015	Lee et al.
			D740,888 S	10/2015	DePalma et al.
			D742,974 S	11/2015	Lesley et al.
			D742,975 S	11/2015	Myers et al.

(56)

References Cited

U.S. PATENT DOCUMENTS

D744,579 S 12/2015 Cope
 D747,718 S 1/2016 Drabant
 D749,342 S 2/2016 Escandon
 D760,846 S 7/2016 Castro et al.
 D762,613 S 8/2016 Garneau et al.
 RE46,169 E 10/2016 Kelly et al.
 D770,406 S 11/2016 Fleming, Jr.
 D786,242 S 5/2017 Ho
 D812,146 S * 3/2018 Castro D21/369
 D812,147 S * 3/2018 Castro D21/369
 D812,148 S * 3/2018 Castro D21/369
 D812,149 S * 3/2018 Castro D21/369
 D819,747 S * 6/2018 Castro D21/369
 D820,915 S * 6/2018 Lee D21/369
 10,181,236 B2 * 1/2019 Goldstein G07F 17/3216
 D842,930 S 3/2019 Johnson
 D842,932 S 3/2019 Stair
 D842,933 S 3/2019 Castro
 D843,458 S * 3/2019 Castro D21/369
 D843,459 S 3/2019 Castro
 D843,460 S 3/2019 Castro
 D843,461 S 3/2019 Castro
 D843,465 S 3/2019 Castro
 D843,467 S * 3/2019 Johnson D21/369
 D843,468 S 3/2019 Johnson
 D843,473 S * 3/2019 Zedell, Jr. D21/369
 D843,474 S * 3/2019 Lesley D21/369
 D843,475 S * 3/2019 Lesley D21/369
 D843,476 S 3/2019 Lesley
 D843,477 S * 3/2019 Lesley D21/369
 D843,478 S * 3/2019 Lesley D21/369
 D843,479 S * 3/2019 Castro D21/369
 D843,480 S * 3/2019 Castro D21/369
 D843,482 S * 3/2019 Holland D21/396
 D844,062 S * 3/2019 Lesley D21/369
 D846,650 S * 4/2019 Stair D21/369
 10,262,501 B2 4/2019 Satterlie
 D850,537 S * 6/2019 Urban D21/370
 D870,820 S * 12/2019 Urban D21/369
 D871,507 S * 12/2019 Urban D21/369
 10,504,319 B2 * 12/2019 Priddy G07F 17/3211
 D872,190 S * 1/2020 Zedell, Jr. D21/369
 D880,608 S * 4/2020 Glenn, II D21/369
 D880,610 S * 4/2020 Glenn, II D21/369
 D880,611 S * 4/2020 Glenn, II D21/369
 D880,612 S * 4/2020 Bernard D21/369
 D880,613 S * 4/2020 Bernard D21/369
 D880,614 S * 4/2020 Bernard D21/369
 D880,615 S * 4/2020 Bernard D21/369
 D881,284 S * 4/2020 Glenn D21/369
 D881,285 S * 4/2020 Glenn D21/369
 2002/0041069 A1 4/2002 Steelman
 2003/0122973 A1 7/2003 Huang
 2004/0018877 A1 1/2004 Tastad et al.
 2004/0029631 A1 2/2004 Duhamel
 2004/0053662 A1 3/2004 Pacey
 2005/0014547 A1 1/2005 Gomez et al.
 2006/0009284 A1 1/2006 Schwartz et al.
 2006/0028159 A1 2/2006 Otomo et al.
 2006/0034042 A1 2/2006 Hisano et al.
 2006/0079316 A1 4/2006 Flemming et al.
 2006/0131810 A1 6/2006 Nicely
 2006/0183553 A1 8/2006 Kiriyama et al.
 2006/0199638 A1 9/2006 Walker et al.
 2006/0281559 A1 12/2006 Luciano
 2006/0287111 A1 12/2006 Mitchell et al.
 2008/0039213 A1 2/2008 Cornell et al.
 2008/0051202 A1 2/2008 Lube
 2009/0174996 A1 7/2009 Park
 2010/0053231 A1 3/2010 Park
 2012/0122569 A1 5/2012 Kowolik et al.
 2012/0168058 A1 7/2012 Kim et al.
 2013/0180653 A1 7/2013 Kim et al.
 2013/0278875 A1 10/2013 Kim et al.
 2013/0321373 A1 12/2013 Yoshizumi

2014/0055696 A1 2/2014 Lee et al.
 2014/0092356 A1 4/2014 Ahn et al.
 2014/0176856 A1 6/2014 Lee et al.
 2014/0226111 A1 8/2014 Kim
 2014/0226112 A1 8/2014 Kim
 2014/0354938 A1 12/2014 Kim
 2014/0368782 A1 12/2014 Kim et al.
 2014/0375936 A1 12/2014 Park et al.
 2014/0375963 A1 12/2014 Bishop
 2015/0000823 A1 1/2015 Kim et al.
 2015/0036073 A1 2/2015 Im et al.
 2015/0116621 A1 4/2015 Park et al.
 2015/0116625 A1 4/2015 Hwang et al.
 2015/0301390 A1 10/2015 Kim
 2016/0093142 A1 3/2016 Lamb
 2018/0075689 A1 3/2018 Castro
 2018/0078854 A1 3/2018 Achmueller
 2018/0342129 A1 11/2018 Wudtke
 2019/0012874 A1 * 1/2019 Goldstein G07F 17/3211
 2019/0073879 A1 3/2019 Marks
 2019/0096161 A1 3/2019 Barbour
 2019/0096166 A1 3/2019 Shimizu

FOREIGN PATENT DOCUMENTS

KR 10-1113734 B1 2/2012
 KR 1113734 B1 2/2012
 KR 10-2012-0051630 5/2012
 KR 2012051630 A 5/2012
 KR 10-1268471 B1 6/2013
 KR 10-1278904 B1 6/2013
 KR 1268471 B1 6/2013
 KR 1278904 B1 6/2013
 KR 10-1336677 B1 12/2013
 KR 1336677 B1 12/2013
 KR 10-1381609 B1 4/2014
 KR 10-1381610 B1 4/2014
 KR 1381609 B1 4/2014
 KR 1381610 B1 4/2014
 KR 10-2015-0013987 2/2015
 KR 2015013987 A 2/2015
 KR 10-1539221 B1 7/2015
 KR 1539221 B1 7/2015
 TW 200949775 A 12/2009

OTHER PUBLICATIONS

Product Sheet for “Monopoly Chairman of the Board™,” WMS Gaming Inc., 1999 (2 pages).
 Product Sheet for “American Eagle,” Eagle Co., Ltd., 2000 (2 pages).
 Product Sheet for “Survivor,” WMS Gaming Inc., 2001 (4 pages).
 Product Sheet for “ProSLOT®6000,” Bally Gaming Systems, 2002 (4 pages).
 Product Sheet for “EVO™ Hybrid,” Bally Gaming Systems, 2002 (4 pages).
 Product Sheet for “3RV™,” WMS Gaming Inc., 2002 or earlier (2 pages).
 Product Sheet for “Miss America,” AC Coin & Slot, 2002 or earlier (2 pages).
 Product Catalog for Ainsworth Game Technology Ltd, date estimated as early as 2007 (6 pages).
 Product Sheet for “Ultrapin™,” Global VR, 2007 (1 pages).
 Brochure for “Virtual Pinball,” Tab-Austria, 2007 (8 pages).
 Catalog for Atronic®—Spielo®, date estimated as early as 2008 (2 pages).
 Product Catalog for “Alpha Elite™,” Bally Technologies, date estimated as early as 2008-2009 (2 pages).
 Cabinet Brochure for Hydako Co., date estimated as early as 2009 (1 page).
 Product Catalog for Bally Technologies, date estimated as early as 2010 (2 pages).

(56)

References Cited

OTHER PUBLICATIONS

Fall & Winter Catalog for Aristocrat, date estimated as early as 2010-2011 (7 pages).

Catalog for “Your Partner Innovation,” Bally Technologies, date estimated as early as 2011 (4 pages).

Co-pending Design U.S. Appl. No. 29/559,629, filed Mar. 30, 2016.

Co-pending Design U.S. Appl. No. 29/559,613, filed Mar. 30, 2016.

Co-pending Design U.S. Appl. No. 29/559,593, filed Mar. 30, 2016.

Immersaview; “Why choose a Curved Screen for your Multi-Projector Setup”; Jan. 28, 2016; retrieved from <<https://www.immersaview.com/resources/why-curved/>> (7 pages).

Denison; “Why can’t you buy a flat OLED yet? The curve isn’t just about viewing experience”; Digital Trends; Aug. 18, 2013; retrieved from <<http://www.digitaltrends.com/home-theater-why-did-the-us-get-stuck-with-curved-oled/#!zXypT>> (8 pages).

Wilcox; “LG, Samsung, and Sony throw TV buyers a curve”; Consumer Reports; Sep. 10, 2013; retrieved from (<http://www.consumerreports.org/cro/news/2013/09/curved-tv-screens/index.htm#>) (1 page).

Snider; “Sony tosses latest pitch for curved TV displays”; USA Today; Oct. 15, 2013; retrieved from <<http://www.usatoday.com/story/tech/personal/2013/10/15/new-curved-sony-led-hdtv/2982051/>> (2 pages).

Morrison; “Curved OLED HDTV screens are a bad idea (for now)”; CNET; Jun. 18, 2013; retrieved from <<https://www.cnet.com/news/curved-oled-hdtv-screens-are-a-bad-idea-for-now/>> (9 pages).

Cochran; “Why Samsung’s curved-screen TV might be a ‘game changer’”; CBS News; Aug. 14, 2013; retrieved from (<http://www.cbsnews.com/news/why-samsungs-curved-screen-tv-might-be-a-game-changer/>) (3 pages).

Kelly; “TV trends at CES: 4K, curves and smart TVs”; CNN; Jan. 8, 2014; retrieved from <<http://www.cnn.com/2014/01/07/tech/gaming-gadgets/ces-television-trends/>> (5 pages).

Manjoo; “TV Makers Are Out of Ideas”; Wall Street Journal; Jan. 8, 2014; retrieved from <<https://www.wsj.com/news/articles/SB10001424052702303393804579308801012230792>> (4 pages).

Daniel; “Curved Monitors—Overview”; Curved Monitor Test; Aug. 28, 2015; retrieved from <<http://www.curved-monitor-test.de/>> (5 pages).

Matthias; “Curved TV—Overview”; Curved TV Test; Apr. 20, 2016; retrieved from <<https://technikblog.net/femseher-test/curved-tv/>> (16 pages, in German).

Ljt216; “Flat Screen vs Curved CRTs for Retro Games”; Reddit; Jul. 29, 2015; retrieved from <https://www.reddit.com/r/gamecollecting/comments/3f25r0/flat_screen_vs_curved_crts_for_retro_games/> (4 pages).

Photonics industry and Technology Development Association (PIDA); “E-Paper Shows Potential at Creating a Paperless Haven”; OptoLink Magazine, 3 Quarter 2008; pp. 8-11 (4 pages).

AU Optronics Corp.; News Center: “AUO Announces Multiple Upcoming Innovations”; Oct. 27, 2008; retrieved from <<http://www.auo.com/?sn=107&lang=en-US&c=10&n=363>>; (2 pages).

DigiTimes, Inc.; “FPD China 2009: AUO 8.9-inch convex display panel”; Mar. 12, 2009; retrieved from <<http://www.digitimes.com/photogallery/showphoto.asp?ID=3376>>; (3 pages).

Gizmodo.com; “AUO Curved Displays, Ultra Thin LCDs On The Way”; May 20, 2008; retrieved from <<http://gizmodo.com/392248/auo-curved-displays-ultra-thin-lcds-on-the-way>>; (2 pages).

PC World; “AU Optronics Shows Off Curved LCD Screen”; May 20, 2008; retrieved from <<http://www.pcworld.com/article/146083/article.amp.html>> (3 pages).

DailyTech; “AUO Shows Off Curved Display and Touch Screen”, May 23, 2008; retrieved from <<http://www.dailytech.com/AUO+Shows+Off+Curved+Display+and+Touch+Screen+Tech/article11845.htm>>; (2 pages).

OLED-Info; “LG Phillips LCD Develops 14.3-Inch Color E-Paper Display”; Jan. 4, 2008; retrieved from <http://www.oled-info.com/lg/lg_phillips_lcd_develops_14_3_inch_color_e_paper_display>; (2 pages).

NewLaunches.com; “LG Phillips LCD develops world’s highest resolution 143-inch flexible color E-paper display!”; Jan. 3, 2008; retrieved from <http://newlaunches.com/archives/lgphillips_lcd_develops_worlds_highest_resolution_143inch_flexible_color_epaper_display.php> (4 pages).

Series of Screenshots from video: Wood, Molly (Mar. 26, 2015). Major, Clare, Carr, Vanessa, eds.<https://www.nytimes.com/video/technology/personaltech/10000002788325/curved-screens-worth-it.html>.

TwinStar J43 Overview by SG Gaming dated Nov. 7, 2016. Found online [Dec. 13, 2017] <https://www.youtube.com/watch?v=WfVHKIz-oDM>.

Product Sheet for “3RV™,” WMS Gaming In., 2002 or earlier (2 pages).

AU Optronics Corp.; News Center. “AUO Announces Multiple Upcoming Innovations”; Oct. 27, 2008; retrieved from <<http://www.auo.com/?sn=107&lang=en-US&c=10&n=363>> on Mar. 3, 2017 (2 pages).

DigiTimes Inc.; “FPD China 2009: AUO 8.9-inch convex display panel”; Mar. 12, 2009; retrieved from <<http://www.digitimes.com/photogallery/showphoto.asp?ID=3376>> on Mar. 3, 2017 (3 pages).

Gizmodo.com; “AUO Curved Displays, Ultra Thin LCDs On the Way”; May 20, 2008; retrieved from <<http://gizmodo.com/392248/auo-curved-displays-ultra-thin-lcds-on-the-way>> on Mar. 3, 2017 (2 pages).

PC World; “AU Optronics Shows off Curved LCD Screen”; May 20, 2008; retrieved from <<http://www.pcworld.com/article/146083/article.amp.html>> on Mar. 3, 2017 (3 pages).

DailyTech; “AUO Shows Off Curved Display and Touch Screen”; May 23, 2008; retrieved from <<http://www.dailytech.com/AUO+Shows+Off+Curved+Display+and+Touch+Screen+Tech/article11845.htm>> on Mar. 3, 2017 (2 pages).

OLED-Info; “LG Phillips LCD Develops 14.3-Inch Color E-Paper Display”; Jan. 4, 2008; retrieved from <http://www.oled-info.com/lg/lg_phillips_lcd_develops_14_3_inch_color_e_paper_display>; (2 pages).

Purported Brochure by Kortek Corp, “Providing the Ultimate Solution for Industrial Displays”, date (if disclosed) unknown, 8 pages. Display photograph 1, Kortek Corp., purported to be from the Global Gaming Expo, Las Vegas, NV, date unknown.

Display photograph 2, Kortek Corp., purported to be from the Global Gaming Expo, Las Vegas, NV, date unknown.

Wood, M., Major, C., Carr, V. eds.; “Curved Screens: Worth It?” video found at <<http://www.nytimes.com/video/technology/personaltech/10000002788325/curved-screens-worth-it.html>>; New York Times; Mar. 26, 2014.

Wilcox; “LG, Samsung, and Sony throw TV buyers a curve”; Consumer Reports; Sep. 10, 2013; retrieved from <<http://www.consumerreports.org/cro/news/2013/09/curved-tv-screens/index.htm#>> (1 page).

Morrison; “Curved OLED HDTV screens are a bad idea (for now)” ; CNET; Jun. 18, 2013; reetrieved from <<https://www.cnet.com/news/curved-oled-hdtv-screens-are-a-bad-idea-for-now/>> (9 pages).

Cohran; “Why Samsung’s curved-screen TV might be a ‘game changer’”; CBS News; Aug. 14, 2013; retrieved from <<http://www.cbsnews.com/news/why-samsungs-curved-screen-tv-might-be-a-game-changer/>> (3 pages).

Manjoo; “TV Makers Are Out of Ideas”; Wall Street Journal; Jan. 8, 2014; retrieved from <<https://www.wsj.com/news/articles/SB100014240527023033938045790308801012230792>> (4 pages).

Daniel; “Curved Monitors—Overview”; Cruved Monitor Test; Aug. 28, 2015; retrieved from <<http://wwwwww.curved-monitor-test.de/>> (5 pages).

Matthias; “Curved TV—Overview”; Curved TV Test; Apr. 20, 2016; retrieved from <<http://technikblog.net/fernseher-test/curved-tv/>> (16 pages, in German).

At216; “Flat Screen vs Curved CRTs for Retro Games”; Reddit; Jul. 29, 2015; retrieved from <https://www.reddit.com/lgamecollecting/comments/3f25r0/flat_screen_vs_curved_crts_for_retro_games/> (4 pp.).

* cited by examiner

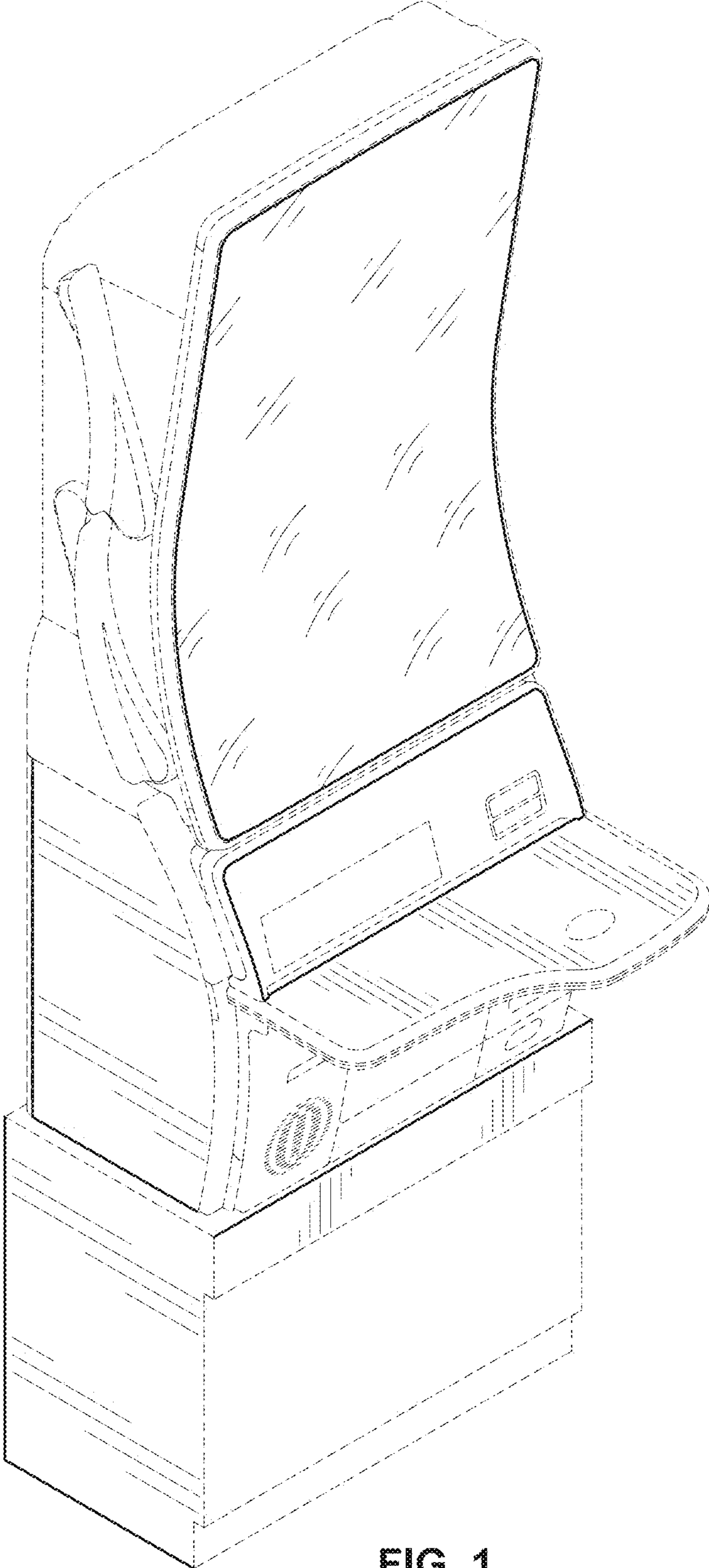


FIG. 1

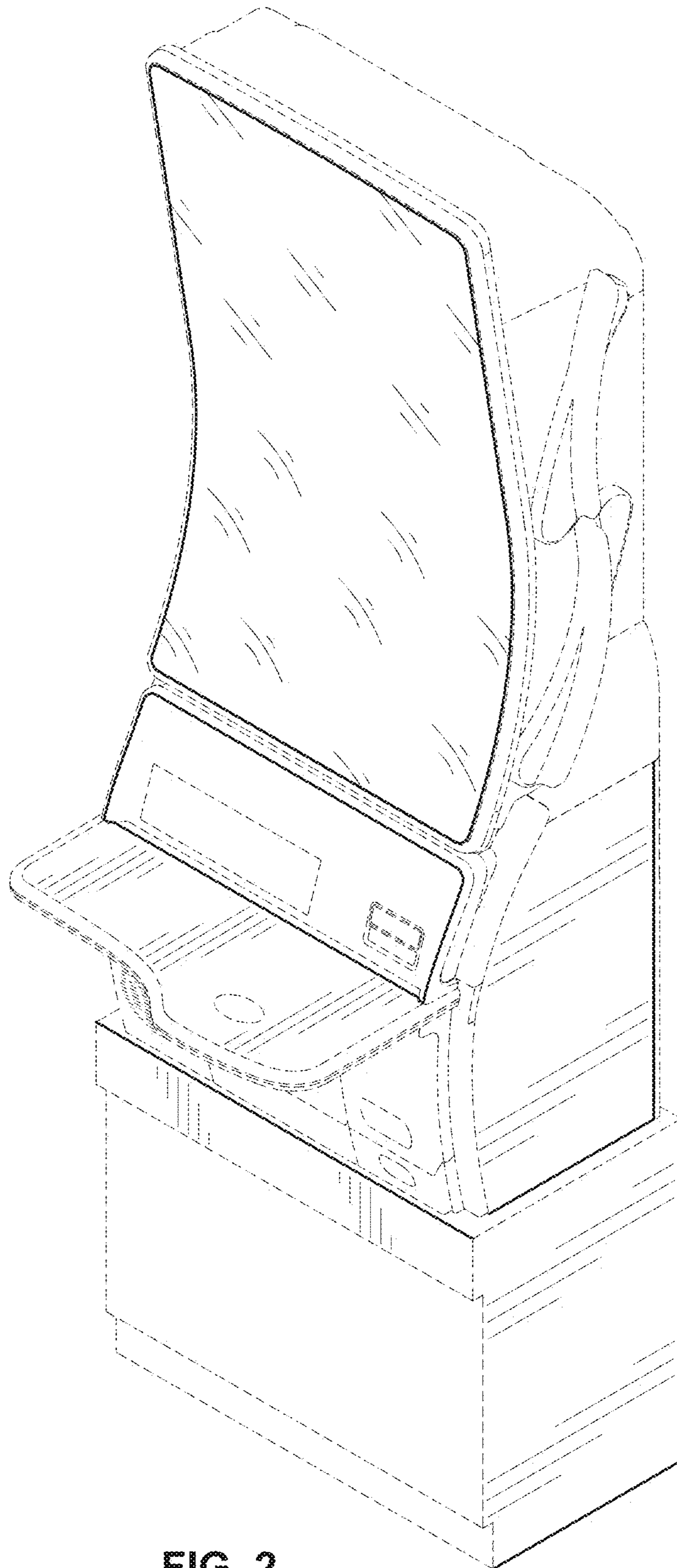


FIG. 2

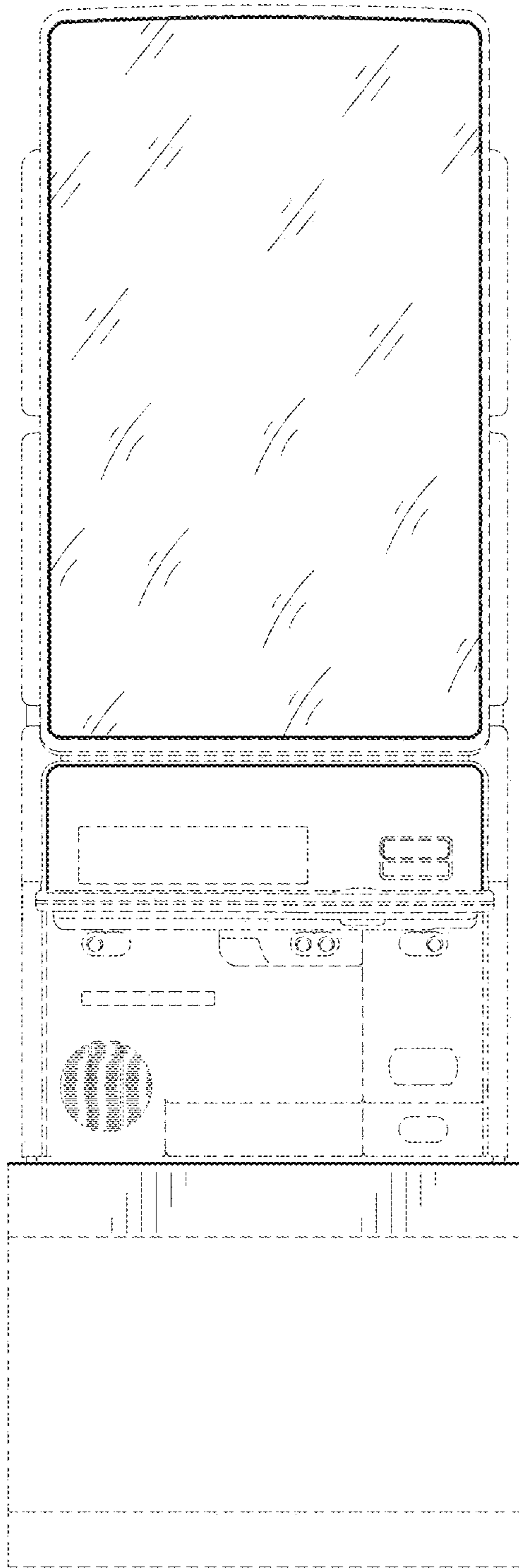


FIG. 3

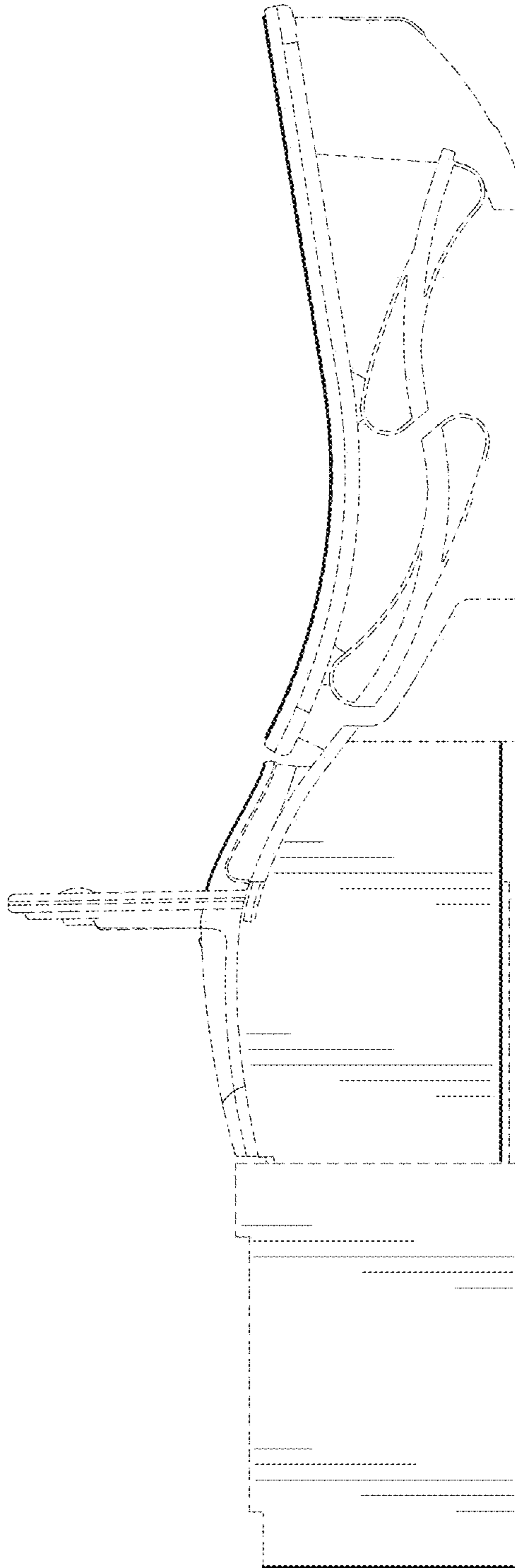


FIG. 4