



US00D896311S

(12) **United States Design Patent** (10) **Patent No.:** **US D896,311 S**
Singer (45) **Date of Patent:** **** Sep. 15, 2020**

(54) **LASER TAG TARGET**

(71) Applicant: **Champion Games LLC**, Brooklyn, NY (US)

(72) Inventor: **Aryeh Singer**, Brooklyn, NY (US)

(73) Assignee: **Champion Games LLC**, Brooklyn, NY (US)

(**) Term: **15 Years**

(21) Appl. No.: **29/733,934**

(22) Filed: **May 7, 2020**

(51) **LOC (12) Cl.** **21-01**

(52) **U.S. Cl.**
USPC **D21/333**

(58) **Field of Classification Search**
USPC D14/344, 434, 421, 299; D21/332–333;
D29/100; D13/177; D2/828–830
CPC A45F 3/10; A45C 2011/003; A41D 1/04
See application file for complete search history.

(56) **References Cited**

U.S. PATENT DOCUMENTS

D332,842 S *	1/1993	Floyd	D14/163
D355,751 S	2/1995	Dagan		
D429,829 S *	8/2000	Doran	D13/137.1
D631,611 S	1/2011	Sattler		
D641,960 S	7/2011	Goff et al.		
D704,271 S *	5/2014	Huang	D21/333
D779,738 S	2/2017	Chow et al.		
D852,423 S *	6/2019	Pennington, Jr.	D29/100
D853,380 S *	7/2019	Ranade	D14/344
D860,209 S *	9/2019	Collins	D14/434
D875,733 S *	2/2020	Collins	D14/434
D875,734 S *	2/2020	Collins	D14/434
D886,044 S *	6/2020	Gerhard	D13/103

OTHER PUBLICATIONS

Infrared Laser Tag Blasters and Vests for Kids & Adults , posted 2018 [online], (retrieved Jun. 26, 2020). Retrieved from the internet, <https://bestchoiceproducts.com/products/set-of-2-infrared-laser-tag-blasters-w-vests-mutli> (Year: 2018).*
Delta Strike, posted NA [online], (retrieved Jun. 26, 2020). Retrieved from the internet, <https://www.deltastrike.com/equipment/laser-tag-equipment/> (Year: NA).*

* cited by examiner

Primary Examiner — Barbara Fox

Assistant Examiner — J. Thorn, Sr.

(74) *Attorney, Agent, or Firm* — Bochner IP; Andrew D. Bochner

(57) **CLAIM**

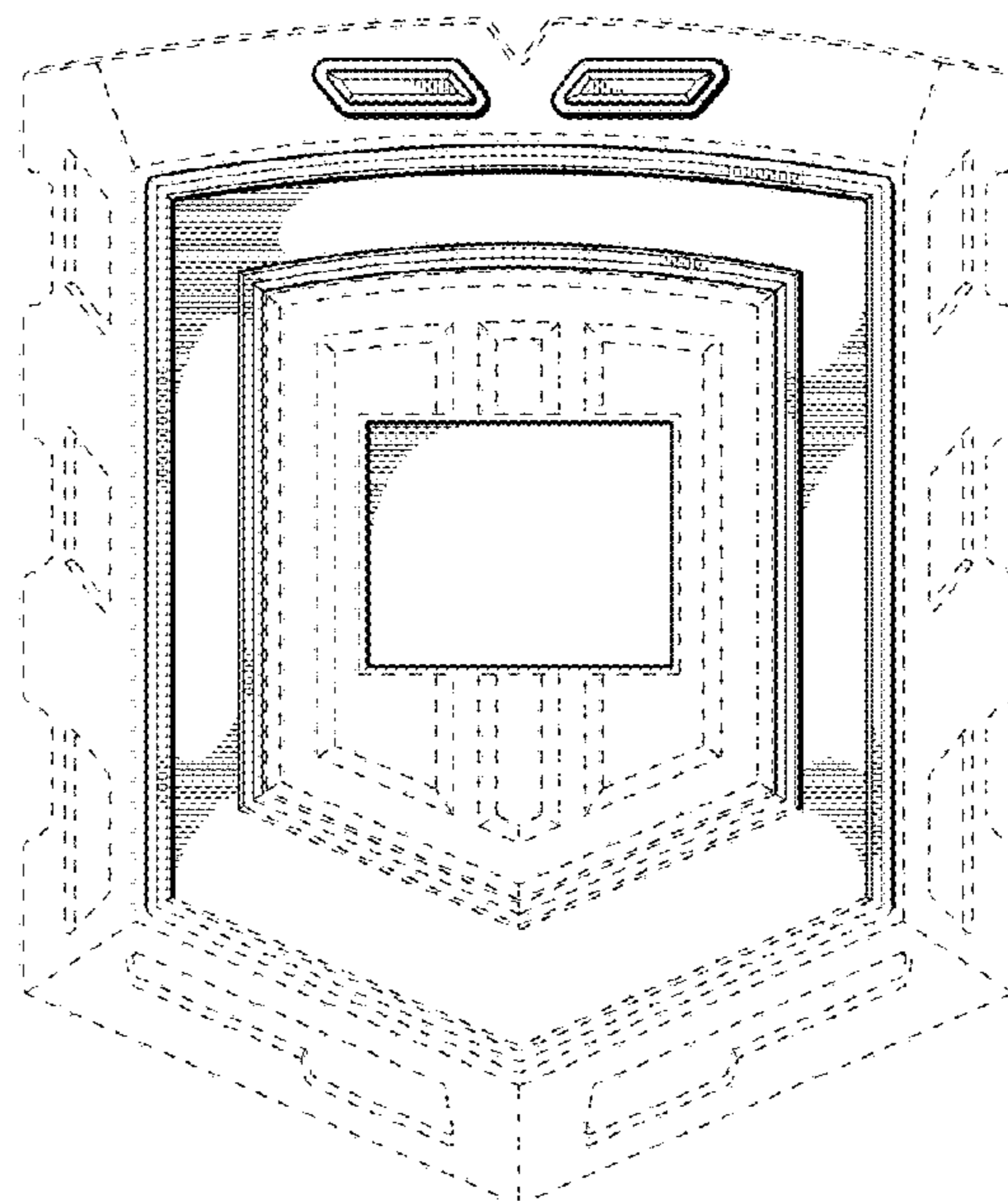
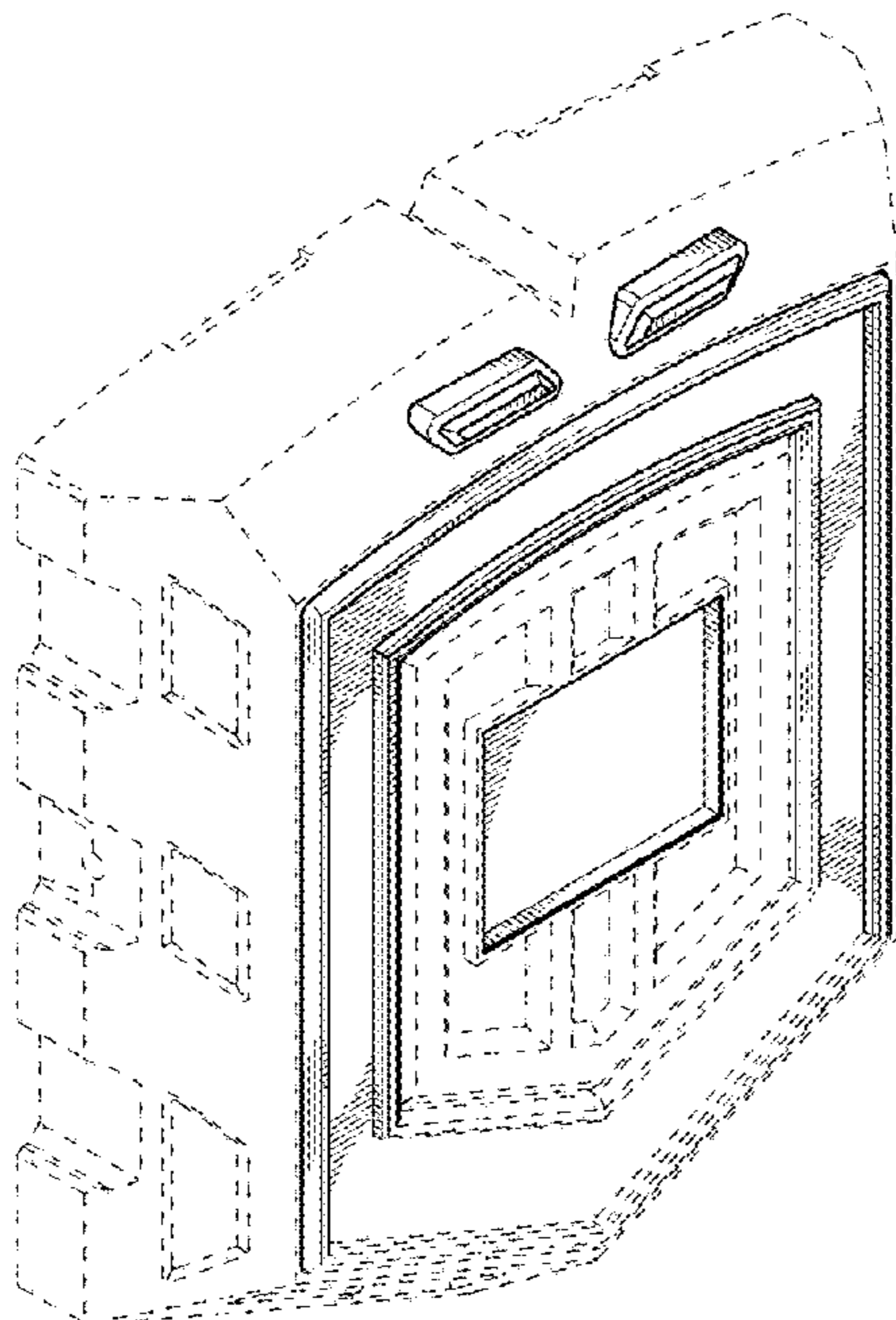
The ornamental design for a laser tag target, as shown and described.

DESCRIPTION

FIG. 1 is a top, front, right side perspective view of a laser tag target;
FIG. 2 is a front elevation view thereof;
FIG. 3 is a rear elevation view thereof;
FIG. 4 is a left side elevation view thereof;
FIG. 5 is a right side elevation view thereof;
FIG. 6 is a top plan view thereof; and,
FIG. 7 is a bottom plan view thereof.

In the drawings, the broken lines are for the purpose of illustrating environment only, and form no part of the claimed design.

1 Claim, 3 Drawing Sheets



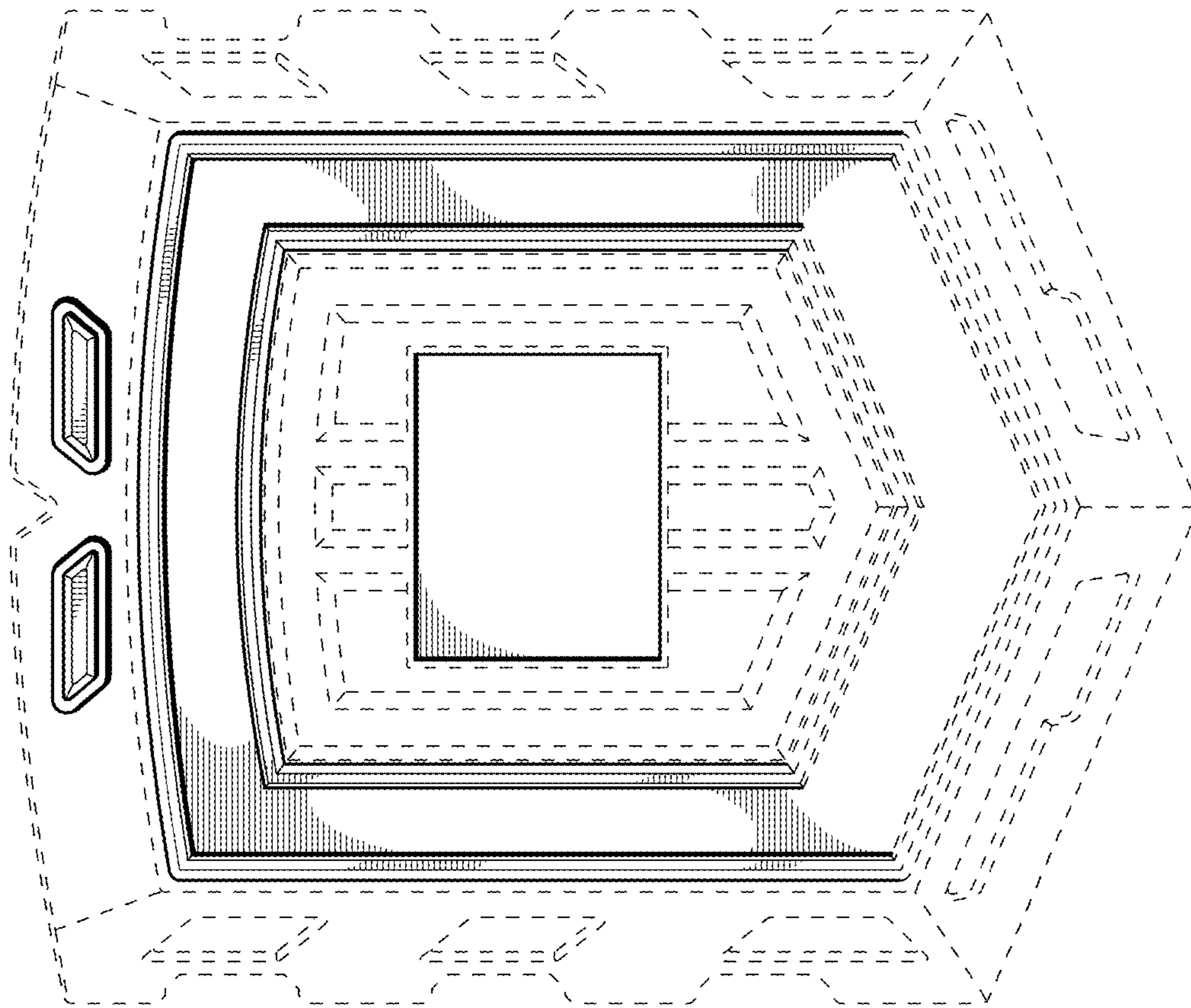


FIG. 2

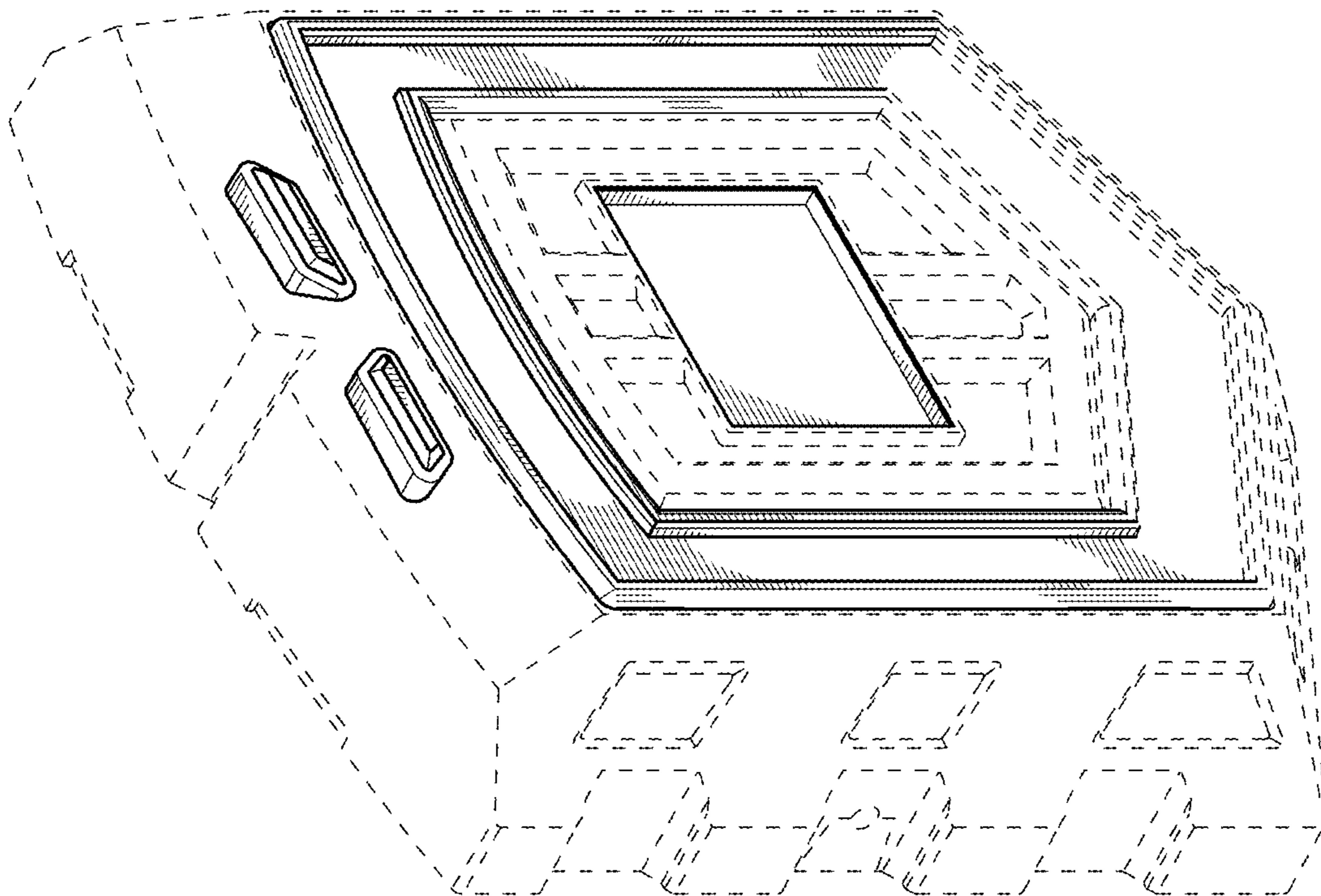


FIG. 1

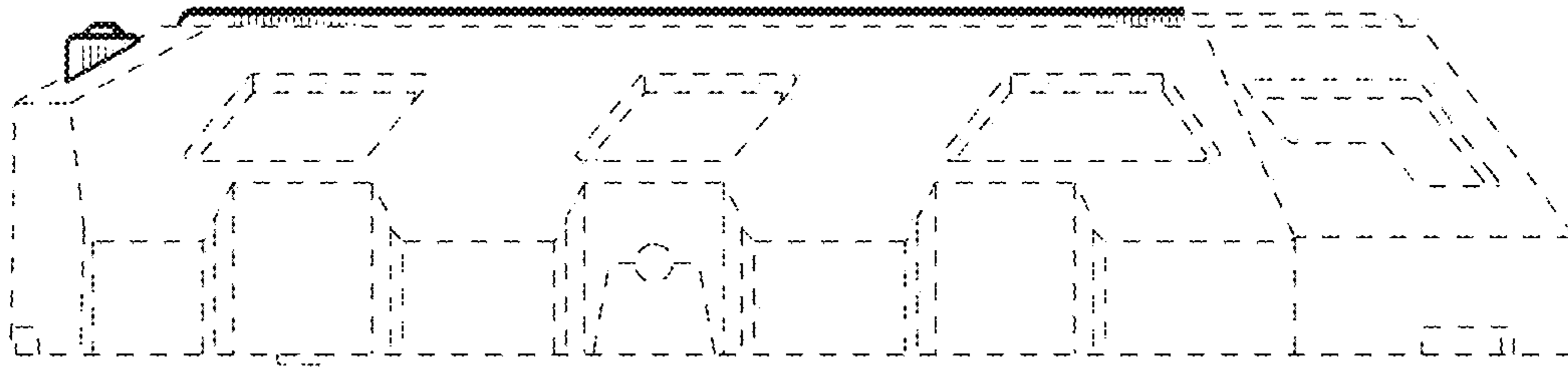


FIG. 4

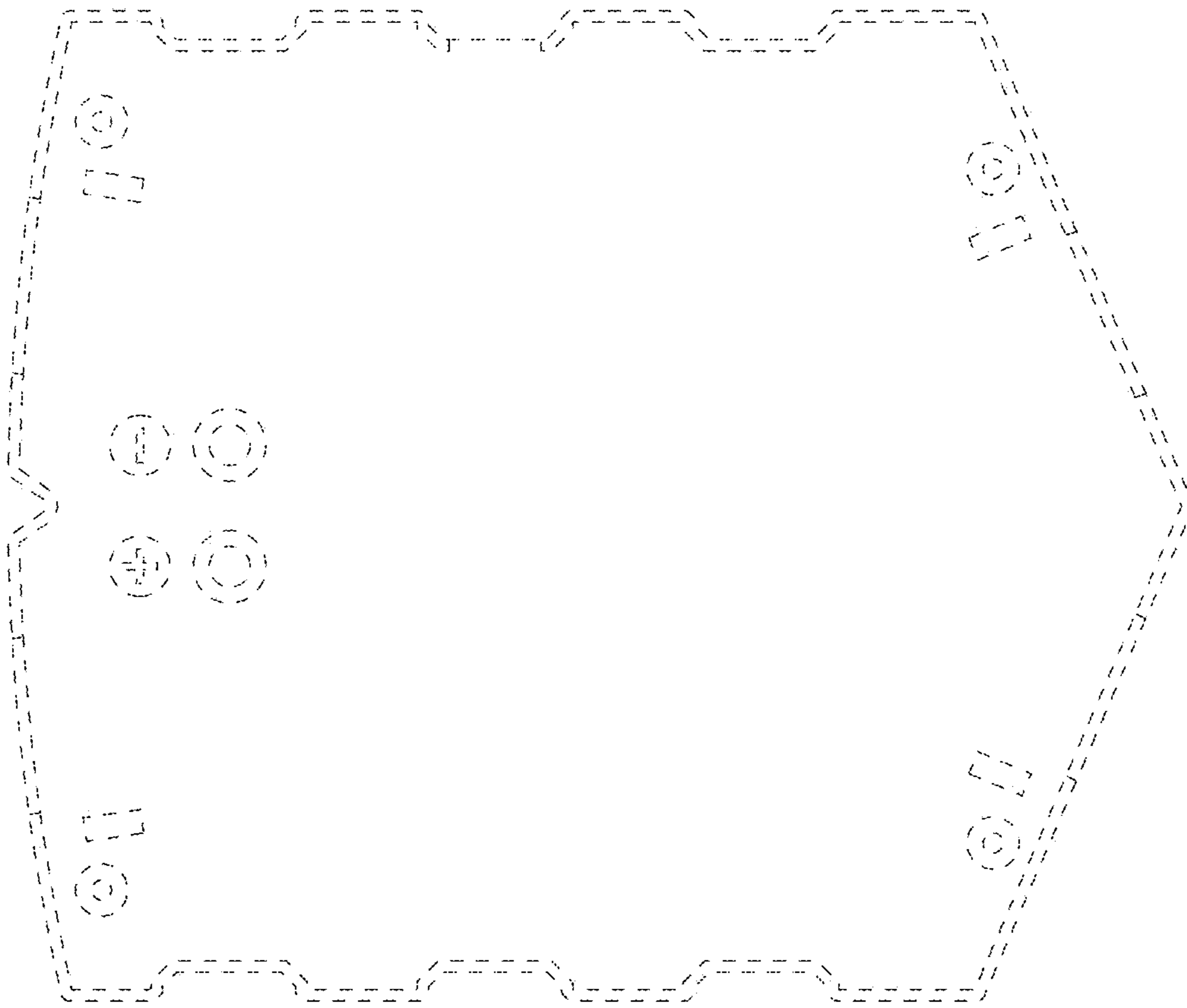


FIG. 3

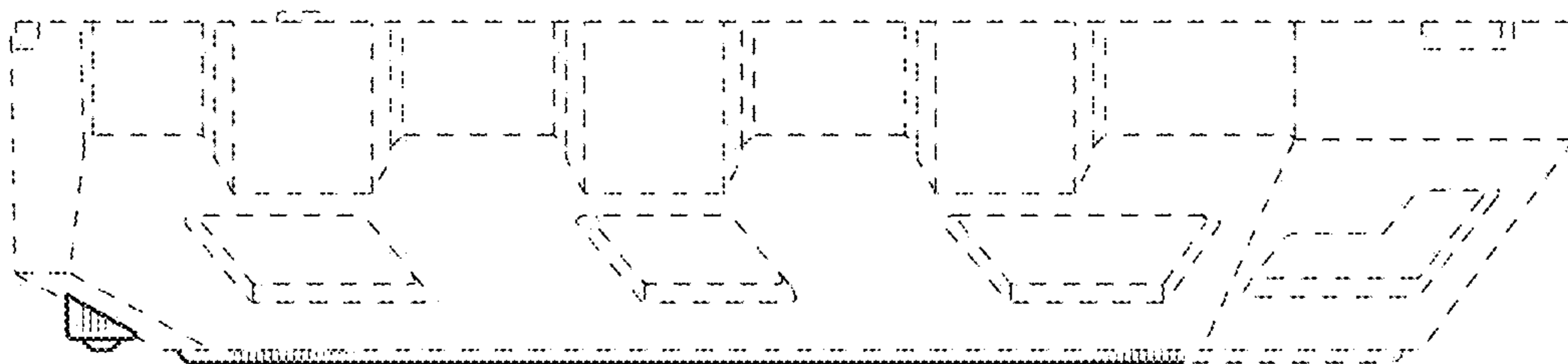


FIG. 5

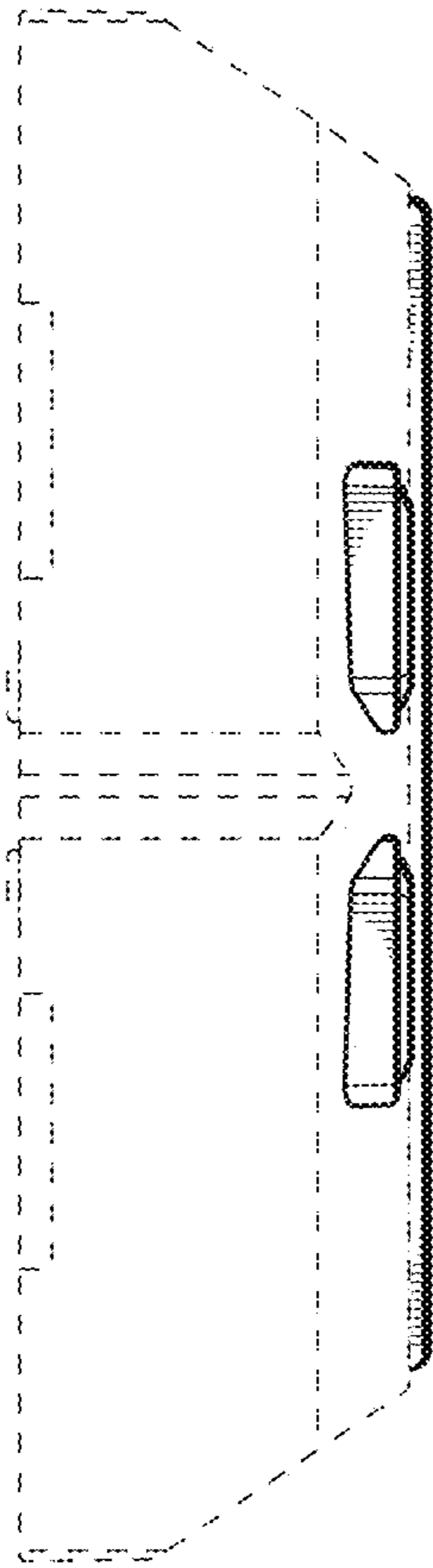


FIG. 6

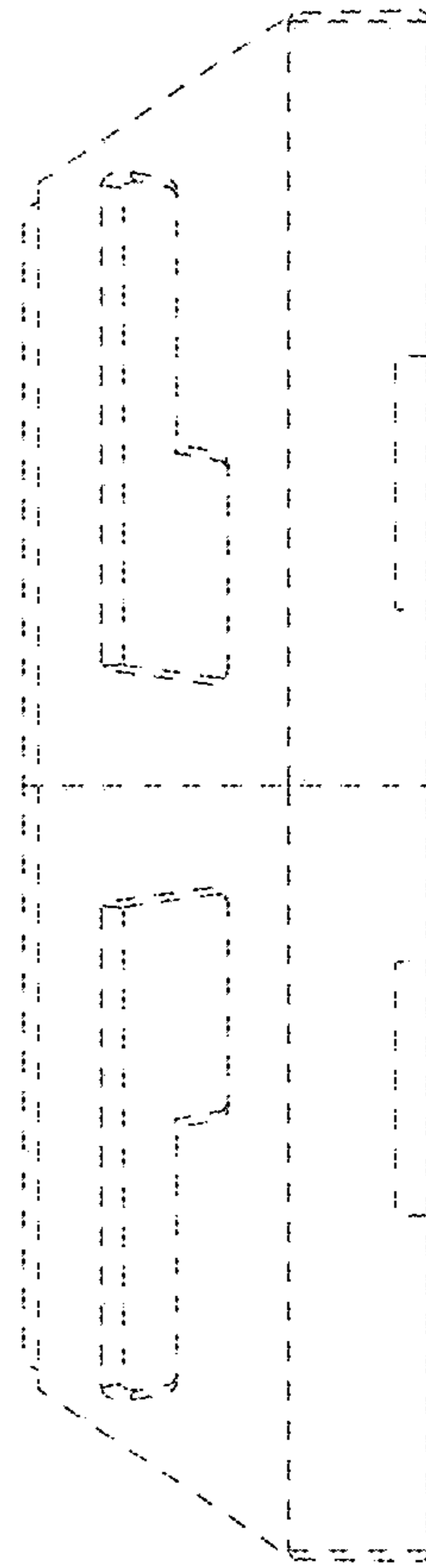


FIG. 7