



US00D896308S

(12) **United States Design Patent** (10) **Patent No.:** **US D896,308 S**
Shamoon (45) **Date of Patent:** **** *Sep. 15, 2020**

(54) **CLIPBOARD**

(71) Applicant: **Ellis N. Shamoon**, Dallas, TX (US)

(72) Inventor: **Ellis N. Shamoon**, Dallas, TX (US)

(*) Notice: This patent is subject to a terminal disclaimer.

(**) Term: **15 Years**

(21) Appl. No.: **29/692,652**

(22) Filed: **May 28, 2019**

(51) **LOC (12) Cl.** **19-06**

(52) **U.S. Cl.**
USPC **D19/88**

(58) **Field of Classification Search**

USPC D19/113, 114, 81, 88, 26-33; D6/310, D6/311; D7/698; D20/10, 19, 39, 40, D20/41, 42; D14/341, 440
CPC B43L 1/00; B43L 1/008; B43L 1/08; B43L 1/04; B43L 5/00; B43L 5/02; B43L 5/002; B43L 5/005; B43L 5/007; B42F 9/001; B42F 9/002; B42F 9/004; B42F 9/005; B42F 9/007; B42F 9/008; G09F 15/00; G09F 15/0006; G09F 15/0012; G09F 1/12; G09F 7/00; B44D 3/18; B44D 3/185

See application file for complete search history.

(56) **References Cited**

U.S. PATENT DOCUMENTS

D48,897 S	4/1916	Hubbard et al.
D153,658 S	5/1949	Arbib
3,977,744 A	8/1976	DeWitt
D255,251 S	6/1980	Hansen et al.
D261,903 S	11/1981	Mulder
D262,151 S	12/1981	Sussman
D271,725 S	12/1983	Sherer
4,555,128 A	11/1985	White et al.
4,645,163 A	2/1987	Zovar
4,771,976 A	9/1988	Su

D298,955 S	12/1988	Zovar
4,863,034 A	9/1989	Contreras, Sr.
4,892,334 A	1/1990	Sinclair
D307,354 S	4/1990	Knotter et al.
D313,819 S	1/1991	Craft, Jr. et al.
D324,399 S	3/1992	Murphy
D337,569 S	7/1993	Kando
5,560,476 A	10/1996	Lee
D379,477 S	5/1997	Shamoon
D397,870 S	9/1998	De Winter
D398,650 S	9/1998	Shamoon

(Continued)

OTHER PUBLICATIONS

Saunders Mfg. Co. Inc., SlimMate web page, May 1, 2019, <https://saunders-usa.com/products/slimmate-storage-clipboard-8-5-x-12-blue-00559>.

(Continued)

Primary Examiner — Elizabeth A. Albert

(74) *Attorney, Agent, or Firm* — Daniel V. Thompson

(57) **CLAIM**

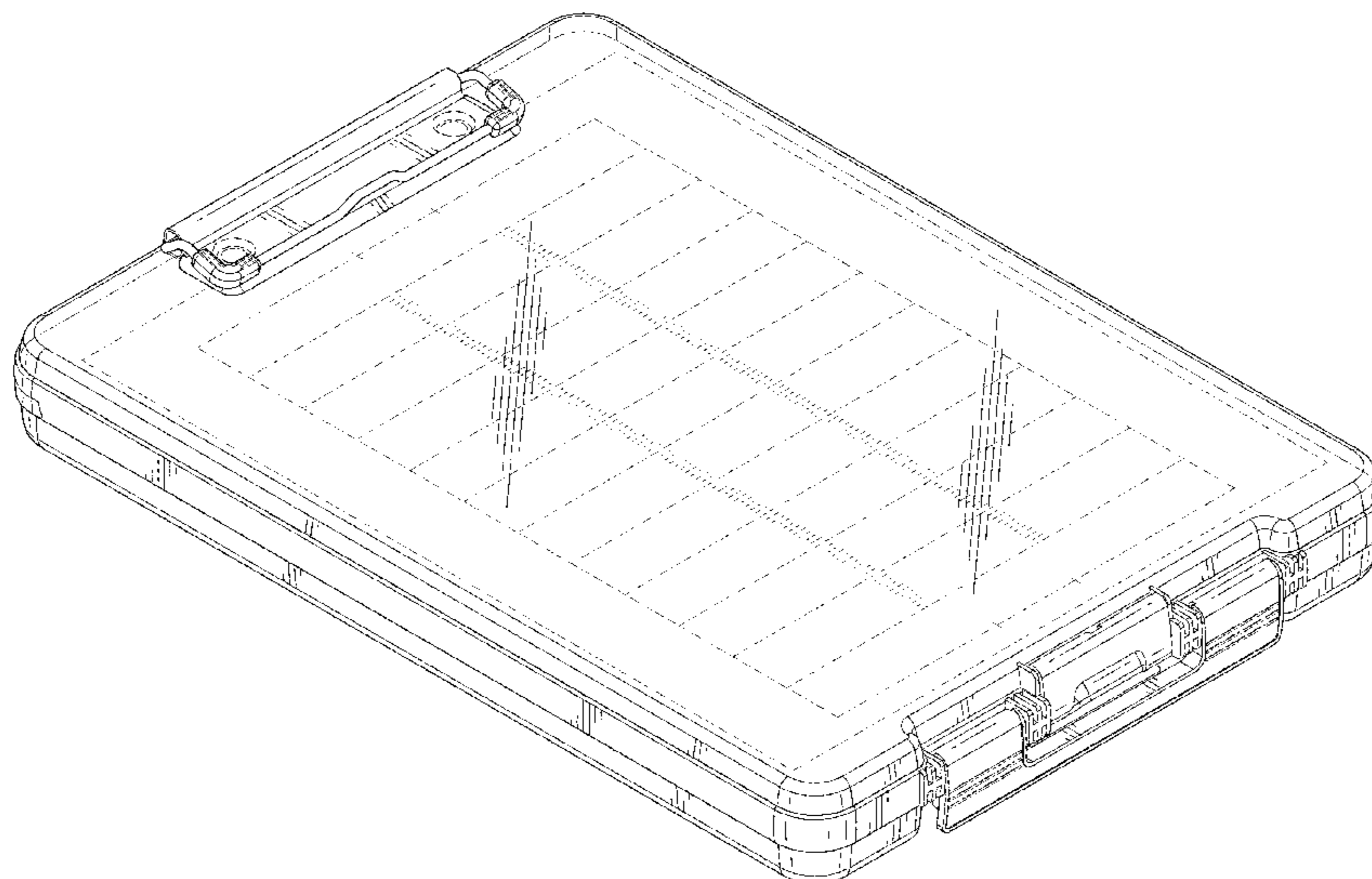
The ornamental design for a clipboard, as shown and described.

DESCRIPTION

FIG. 1 is a top-facing perspective view of a clipboard showing my new design; FIG. 2 is a front elevational view thereof; FIG. 3 is a rear elevational view thereof; FIG. 4 is a right-side elevational view thereof; FIG. 5 is a left-side elevational view thereof; FIG. 6 is a top plan view thereof; and, FIG. 7 is a bottom plan view thereof.

The circular broken lines in the FIGS. 1 and 6 define the bounds of the claimed design and form no part thereof. The straight broken lines in FIGS. 1 and 6 are included for the purpose of illustrating a sheet of paper and form no part of the claimed design.

1 Claim, 5 Drawing Sheets



(56)

References Cited

U.S. PATENT DOCUMENTS

5,887,902 A * 3/1999 Irwin B42F 9/001
248/451
D428,927 S 8/2000 Chang
D439,019 S * 3/2001 Motosko D28/76
6,286,667 B1 9/2001 Lee
D474,599 S * 5/2003 Shamoon D3/282
D475,748 S 6/2003 Shamoon
D492,358 S 6/2004 Chen
D500,800 S 1/2005 Shamoon
D510,389 S 10/2005 Shamoon
D514,308 S 2/2006 Wahl et al.
D525,488 S 7/2006 McWhorter
D527,182 S 8/2006 Ham
D549,961 S * 9/2007 Green D3/282
D558,757 S 1/2008 Andre et al.
D565,298 S 4/2008 Braun
D566,395 S 4/2008 Langer et al.
D575,347 S 8/2008 Fedon
D575,826 S * 8/2008 Chen D19/88
D580,990 S 11/2008 Chang
D582,675 S 12/2008 Nelson
D586,400 S 2/2009 Shamoon
D592,398 S 5/2009 Roesler
D595,712 S 7/2009 Guery et al.
D599,856 S 9/2009 Chen et al.
D601,558 S 10/2009 Andre et al.
D601,631 S 10/2009 Kent
D610,346 S 2/2010 Eriksen et al.
D615,083 S 5/2010 Andre et al.
D618,240 S 6/2010 Larmour et al.
D627,343 S 11/2010 Andre et al.
D630,630 S 1/2011 Andre et al.
D633,091 S 2/2011 Andre et al.
D637,813 S 5/2011 Liang
D640,058 S 6/2011 Molina
D640,219 S 6/2011 Sutherland et al.
D647,969 S 11/2011 Shamoon
D655,086 S * 3/2012 Deguglimo D3/298
D692,490 S * 10/2013 Hwung D19/88
D692,949 S 11/2013 Shamoon
D697,135 S * 1/2014 Tsai D19/88
8,678,217 B2 * 3/2014 Green A45C 11/36
206/214
D702,762 S * 4/2014 Small B42F 9/001
D19/88

8,720,012 B2 * 5/2014 Leung B42F 9/001
24/67.11
D711,466 S * 8/2014 Huang D19/88
D745,604 S * 12/2015 Magaudda A47B 23/06
D19/88
D753,765 S * 4/2016 Chuang D19/88
D769,972 S * 10/2016 Thomson D19/88
D800,835 S * 10/2017 Ballard D19/86
D803,314 S * 11/2017 Chuang D19/88
D814,566 S * 4/2018 Ruggles D19/88
D821,493 S * 6/2018 Chuang D19/88
D845,392 S * 4/2019 Chang D19/88
2007/0205115 A1 9/2007 Lee
2010/0084848 A1 * 4/2010 Nguyen B42F 9/001
281/49
2012/0091308 A1 * 4/2012 Small B42F 9/001
248/452
2014/0116895 A1 * 5/2014 Ellenburg H04B 1/3888
206/37

OTHER PUBLICATIONS

Saunders Mfg. Co. Inc., DeskMate 2 web page, May 1, 2019, <https://saunders-usa.com/collections/plastic-storage-clipboards/products/deskmate-ii-8-5-12-blue-00574>.
Saunders Mfg. Co. Inc., DeskMate web page, May 1, 2019, <https://saunders-usa.com/collections/plastic-storage-clipboards/products/deskmate-9-5-x-11-75-00468>.
Saunders Mfg. Co. Inc., WorkMate web page, May 1, 2019, <https://saunders-usa.com/collections/plastic-storage-clipboards/products/workmate-9-25-x-12-27-00470>.
Saunders Mfg. Co. Inc., WorkMate II web page, May 1, 2019, <https://saunders-usa.com/collections/plastic-storage-clipboards/products/workmate-ii-8-75-x-12-25-black-0052>.
Saunders Mfg. Co. Inc., RingMate web page, May 1, 2019, <https://saunders-usa.com/products/ringmate-9-5-x-12-5-00480>.
Tung-Yung International, Storage Clipboard web page, May 1, 2019, https://tungyung.en.alibaba.com/product/239751235-202584112/Storage_Clipboard_F5144.html.
Tung-Yung International, Storage Clipboard photo, May 16, 2013.
Officemate Inc., Slim Clipboard Storage Box web page, May 1, 2019, <http://www.officemate.com/product/83304>.
Office Depot, Inc., Dry-Erase Form Holder Storage Clipboard web page, May 1, 2019, <https://www.officedepot.com/a/products/170589/Office-Depot-Brand-Dry-Erase-Form/>.

* cited by examiner

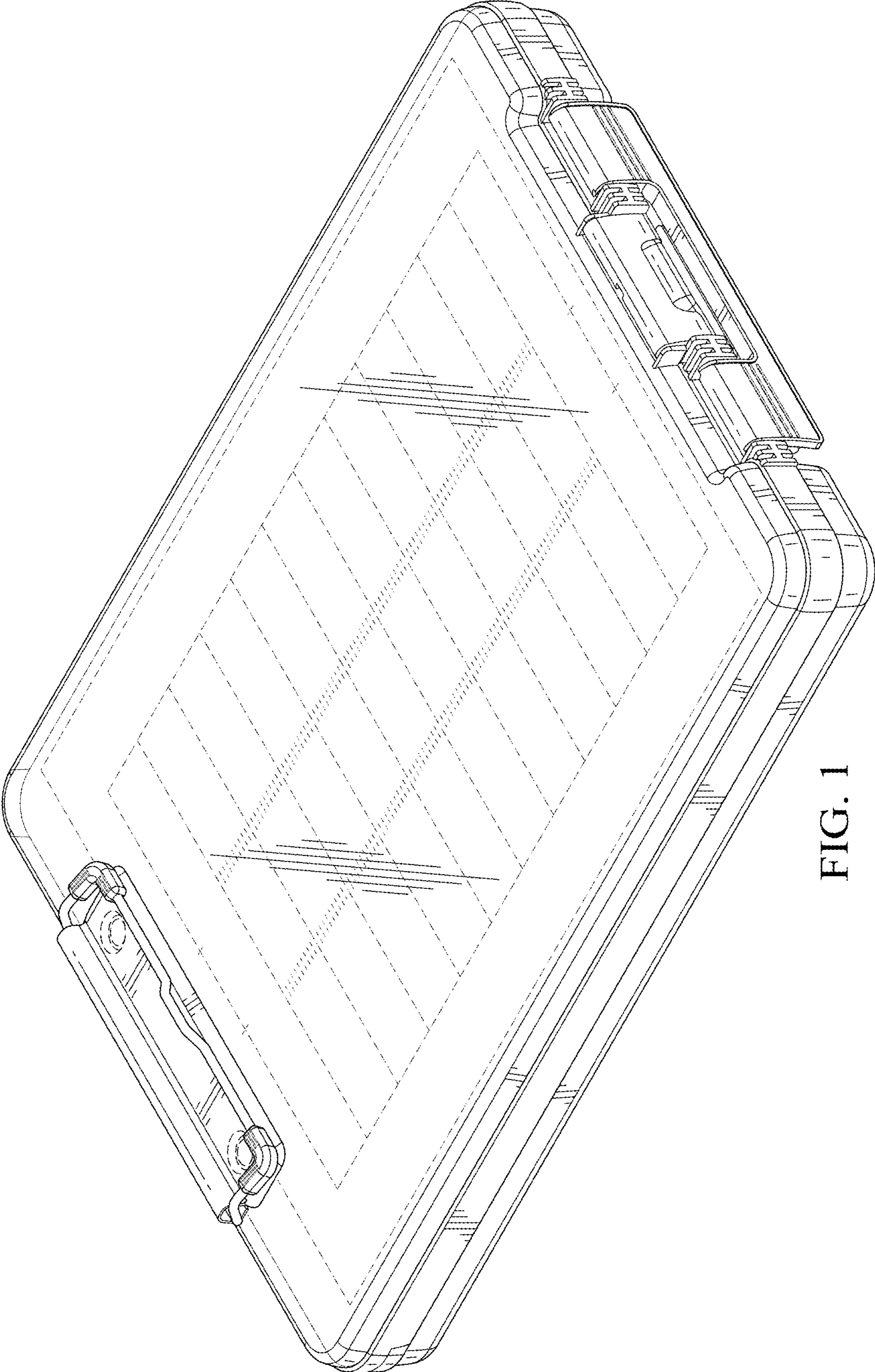


FIG. 1

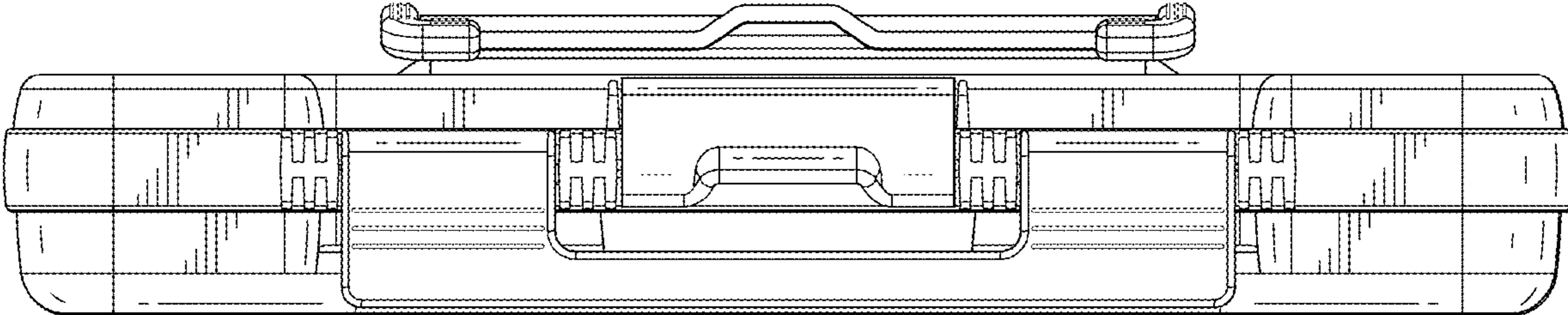


FIG. 2

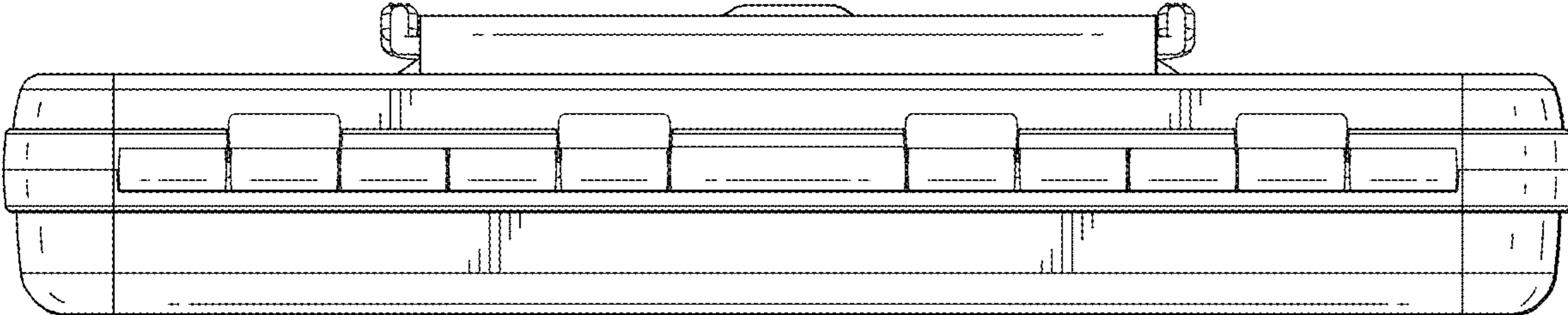


FIG. 3

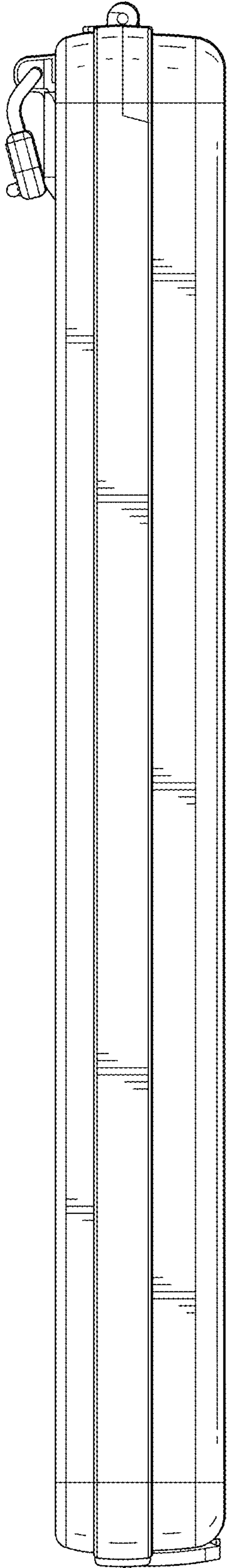


FIG. 4

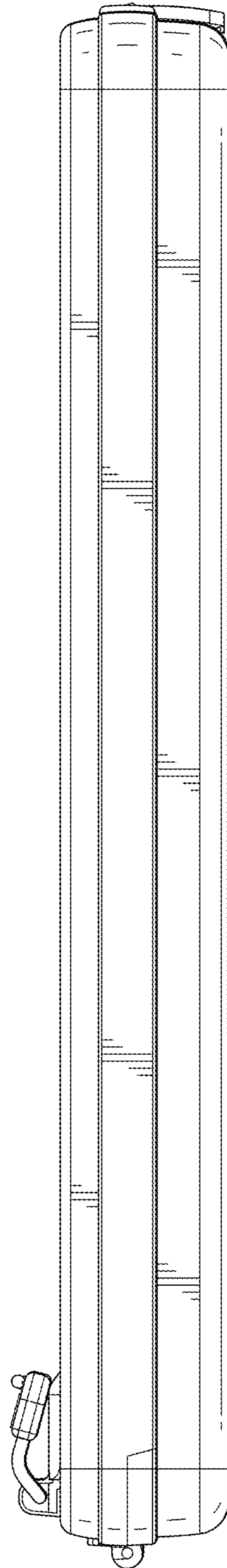


FIG. 5

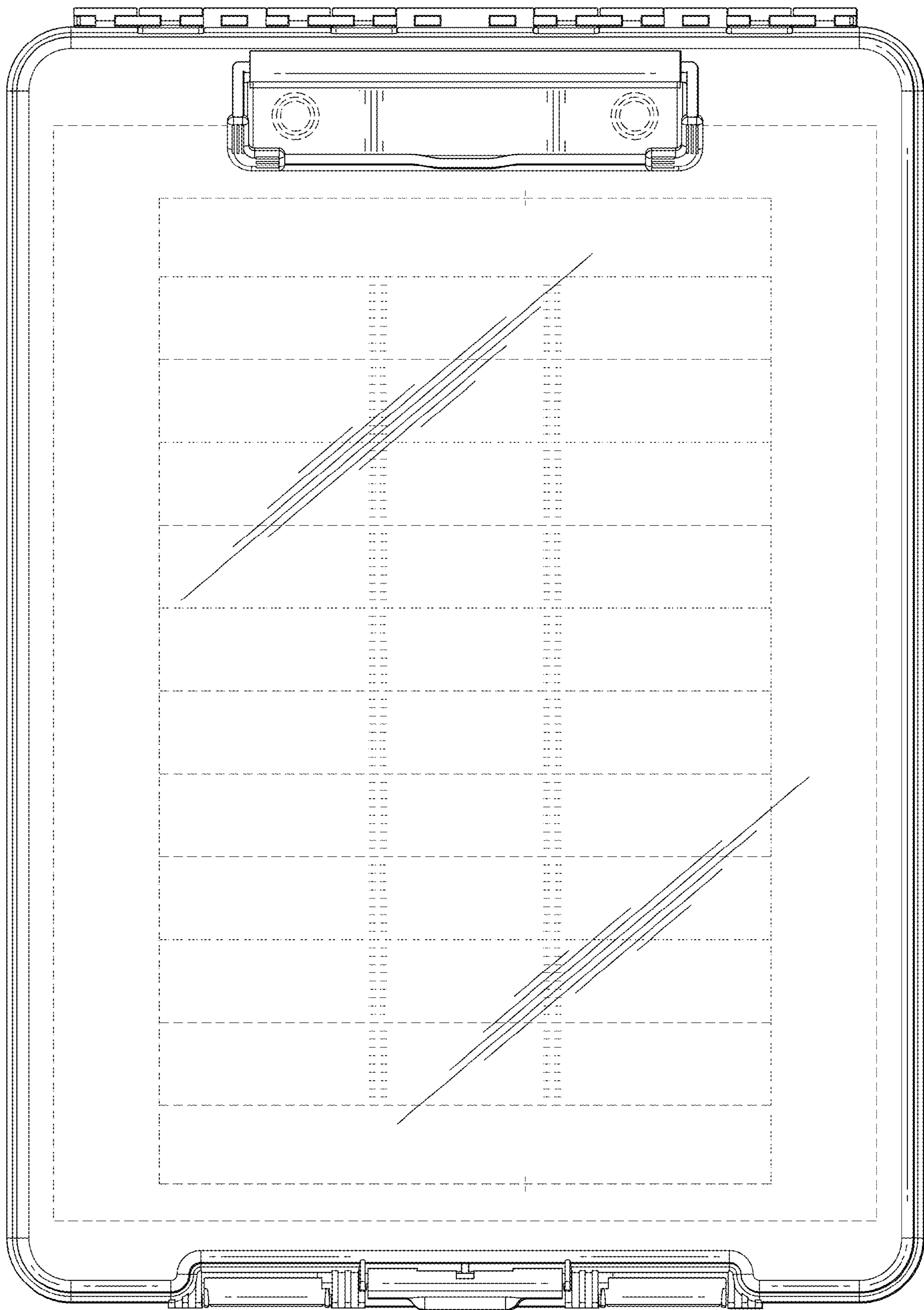


FIG. 6

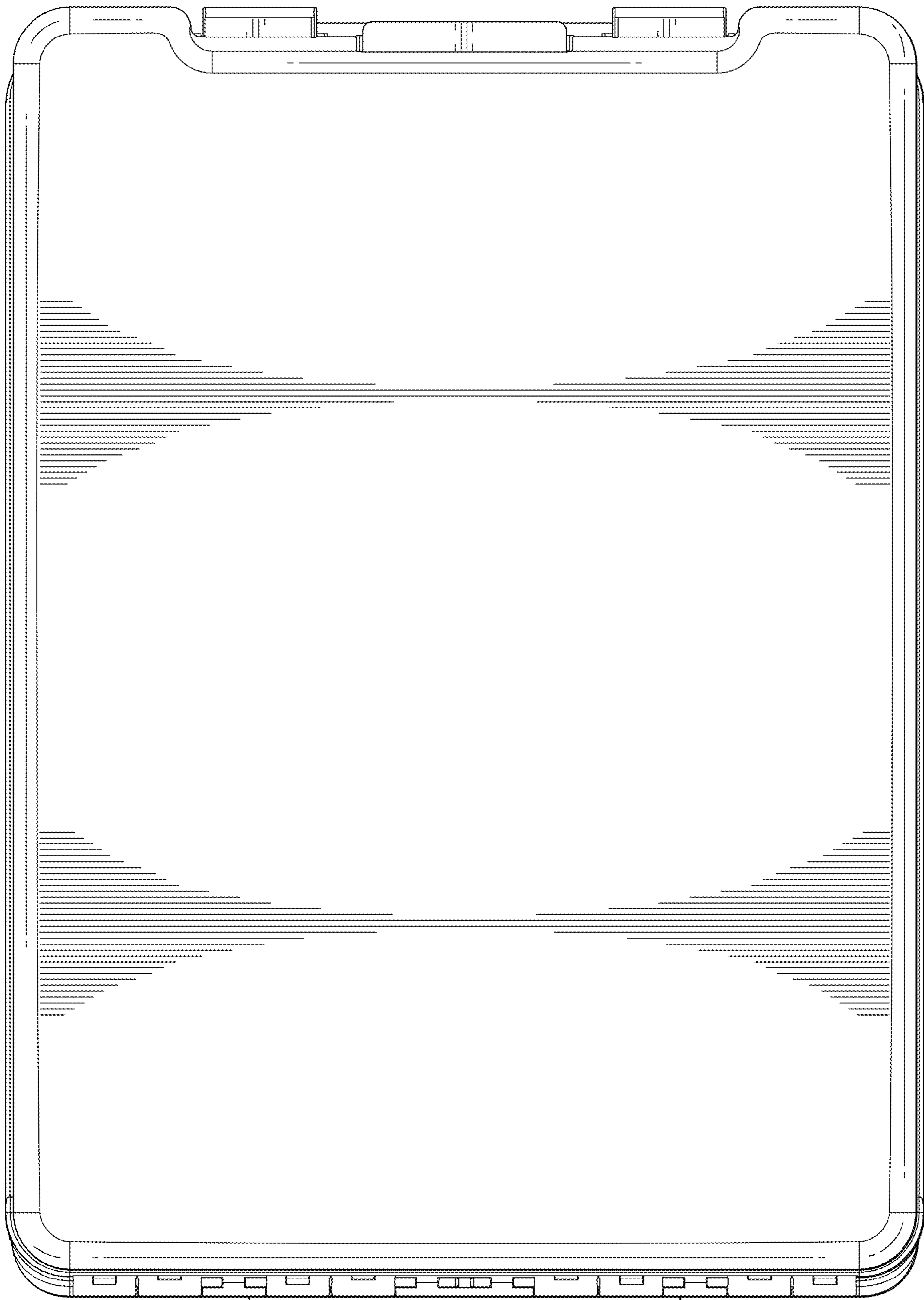


FIG. 7