



US00D896306S

(12) **United States Design Patent**
Nieda et al.

(10) **Patent No.:** **US D896,306 S**
(45) **Date of Patent:** **** Sep. 15, 2020**

(54) **TONER CARTRIDGE**

(71) Applicants: **Hiroaki Nieda**, Ohta-ku (JP); **Emi Kita**, Ohta-ku (JP)

(72) Inventors: **Hiroaki Nieda**, Ohta-ku (JP); **Emi Kita**, Ohta-ku (JP)

(73) Assignee: **Ricoh Company, Ltd.**, Tokyo (JP)

(**) Term: **15 Years**

(21) Appl. No.: **29/682,554**

(22) Filed: **Mar. 6, 2019**

(30) **Foreign Application Priority Data**

Dec. 11, 2018 (JP) 2018-026996

(51) **LOC (12) Cl.** **16-03**

(52) **U.S. Cl.**
USPC **D18/43**

(58) **Field of Classification Search**

USPC D18/40-45, 56
CPC G03G 15/0894; G03G 15/0898; G03G 21/1661; G03G 15/0872; G03G 15/0874; G03G 15/0868; G03G 15/087; G03G 15/0877; G03G 15/0875; G03G 15/0896; G03G 21/18; G03G 21/1803; G03G 21/1807; G03G 21/1666; G03G 21/1671; G03G 21/1676; G03G 21/168; G03G 21/1685; G03G 21/169; G03G 21/1695

See application file for complete search history.

(56) **References Cited**

U.S. PATENT DOCUMENTS

D296,788 S 7/1988 Schneider et al.
5,729,795 A 3/1998 Kavolius et al.
6,029,031 A 2/2000 Yokomori et al.
6,314,255 B1 * 11/2001 Yokomori G03G 15/0896
399/119
6,904,248 B2 6/2005 Daniels
(Continued)

FOREIGN PATENT DOCUMENTS

AP 00116044 8/2019
CA 2854353 A1 * 7/2013 G03G 15/0886
(Continued)

OTHER PUBLICATIONS

New egg Business. Link: <https://www.neweggbusiness.com/product/product.aspx?item=9b-28-214-104>. Visited May 8, 2020. Toshiba Magenta Toner Cartridge. (Year: 2020).
(Continued)

Primary Examiner — Lauren D McVey
(74) *Attorney, Agent, or Firm* — Oblon, McClelland, Maier & Neustadt, L.L.P.

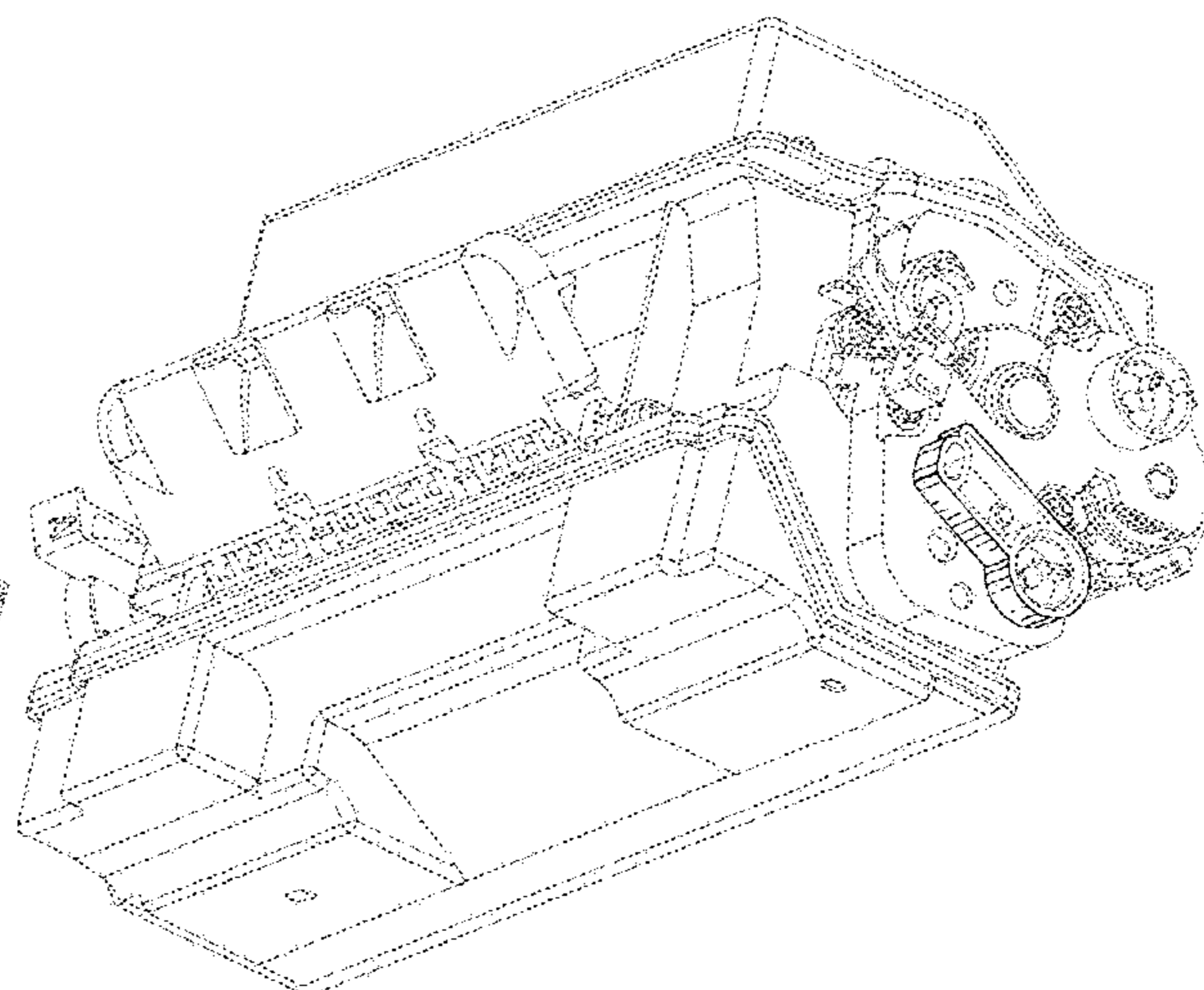
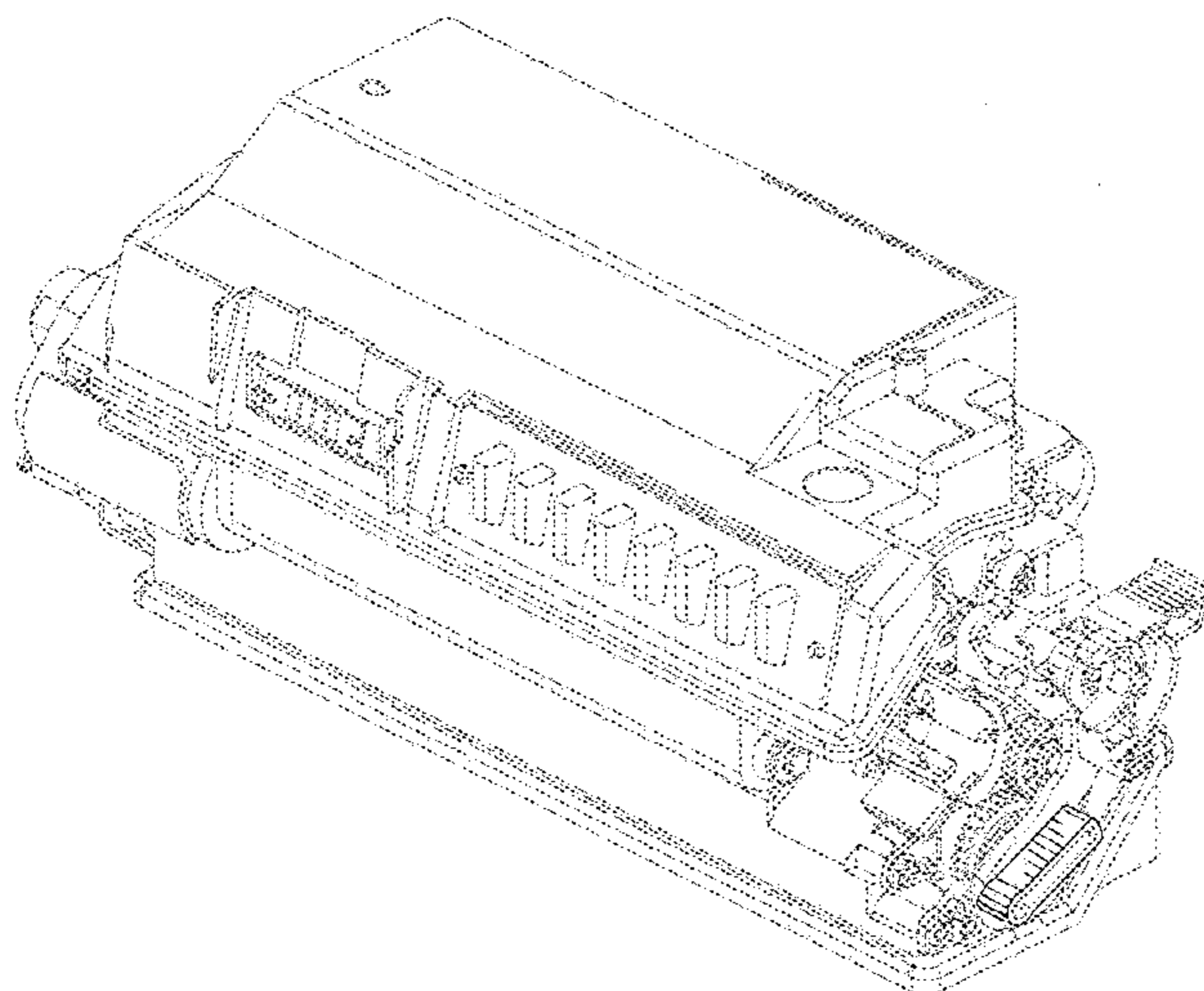
(57) **CLAIM**

The ornamental design for a toner cartridge, as shown and described.

DESCRIPTION

FIG. 1 is a front, top, and right side perspective view of a toner cartridge;
FIG. 2 is a rear, bottom, and left side perspective view thereof;
FIG. 3 is a front elevational view thereof;
FIG. 4 is a rear elevational view thereof;
FIG. 5 is a top plan view thereof;
FIG. 6 is a bottom plan view thereof;
FIG. 7 is a left side elevational view thereof; and,
FIG. 8 is a right side elevational view thereof.
The broken lines in the figures illustrate portions of the toner cartridge that form no part of the claimed design. In addition, the unshaded surfaces that directly adjoin the claimed solid line edges form no part of the claimed design.

1 Claim, 8 Drawing Sheets



(56)

References Cited

U.S. PATENT DOCUMENTS

7,068,954 B1 6/2006 Miller
 7,068,963 B2 6/2006 Moore et al.
 D580,968 S * 11/2008 Tatsumi D18/43
 D590,012 S * 4/2009 Tatsumi D18/43
 D597,129 S * 7/2009 Tatsumi D18/43
 D617,372 S * 6/2010 Victor D18/43
 D636,016 S * 4/2011 Naito D18/43
 D653,283 S 1/2012 Eto
 D662,129 S 6/2012 Zeng et al.
 D693,400 S 11/2013 Boettcher et al.
 D709,946 S * 7/2014 Sato D18/43
 D712,463 S * 9/2014 Kubota D18/43
 D723,099 S * 2/2015 Kubota D18/43
 D727,411 S 4/2015 Moon et al.
 D754,248 S 4/2016 Jang et al.
 D755,283 S 5/2016 Lee et al.
 D765,164 S 8/2016 Park et al.
 D783,087 S 4/2017 Fukamachi et al.
 D797,843 S * 9/2017 Roctus D18/56
 9,902,583 B2 2/2018 Tanaka
 D832,340 S 10/2018 Yang et al.
 D833,519 S 11/2018 Yang et al.
 D833,520 S 11/2018 Yang et al.
 D847,254 S * 4/2019 Tsuritani D18/43
 D849,131 S 5/2019 Shimizu et al.
 10,303,087 B2 5/2019 Li et al.
 D852,880 S * 7/2019 Anderson, Jr. D18/43
 10,514,632 B2 12/2019 Perez et al.
 D879,194 S 3/2020 Kikuchi et al.

10,599,071 B2 3/2020 Perez et al.
 10,627,743 B2 * 4/2020 Nieda G03G 21/1814
 2009/0003874 A1 1/2009 Silva

FOREIGN PATENT DOCUMENTS

EP 0 400 557 A2 12/1990
 EP 0794470 A1 * 9/1997 G03G 15/0862
 EP 0984337 A2 * 3/2000 G03G 15/0896

OTHER PUBLICATIONS

New egg Business. Link: <https://www.neweggbusiness.com/product/product.aspx?item=9siv1wn8sc9282>. Visited May 8, 2020. Waste Toner Container for Toshiba. (Year: 2020).*

U.S. Office Action dated May 14, 2020 in U.S. Appl. No. 29/683,084, First Named Inventor Hiroaki Nieda (6 pages).

Copiertrader. Link: <https://www.copiertradercorn/genuine-konica-minolta-4053-401-tn310k-black-toner-cartridge-w-ozone-filter.html>. Visited May 8, 2020. Genuine Konica Minolta 4053-401 (TN310K) Black Toner Cartridge w/Ozone Filter. (Year: 2020) (3 pages).

U.S. Office Action dated May 29, 2020 in U.S. Appl. No. 29/682,546. First Named inventor Hiroaki Nieda (24 pages).

Dell. Link: <https://www.dell.com/en-uk/work!shop/dell-i-printer-drum-kit-imaging-drum-unit/apd!724-10518/printers-ink-toner>. Visited May 7, 2020. Dell Printer Drum Kit—Imaging Drum Unit. (Year: 2020) (3 pages) Additional References sheet(s) attached.

* cited by examiner

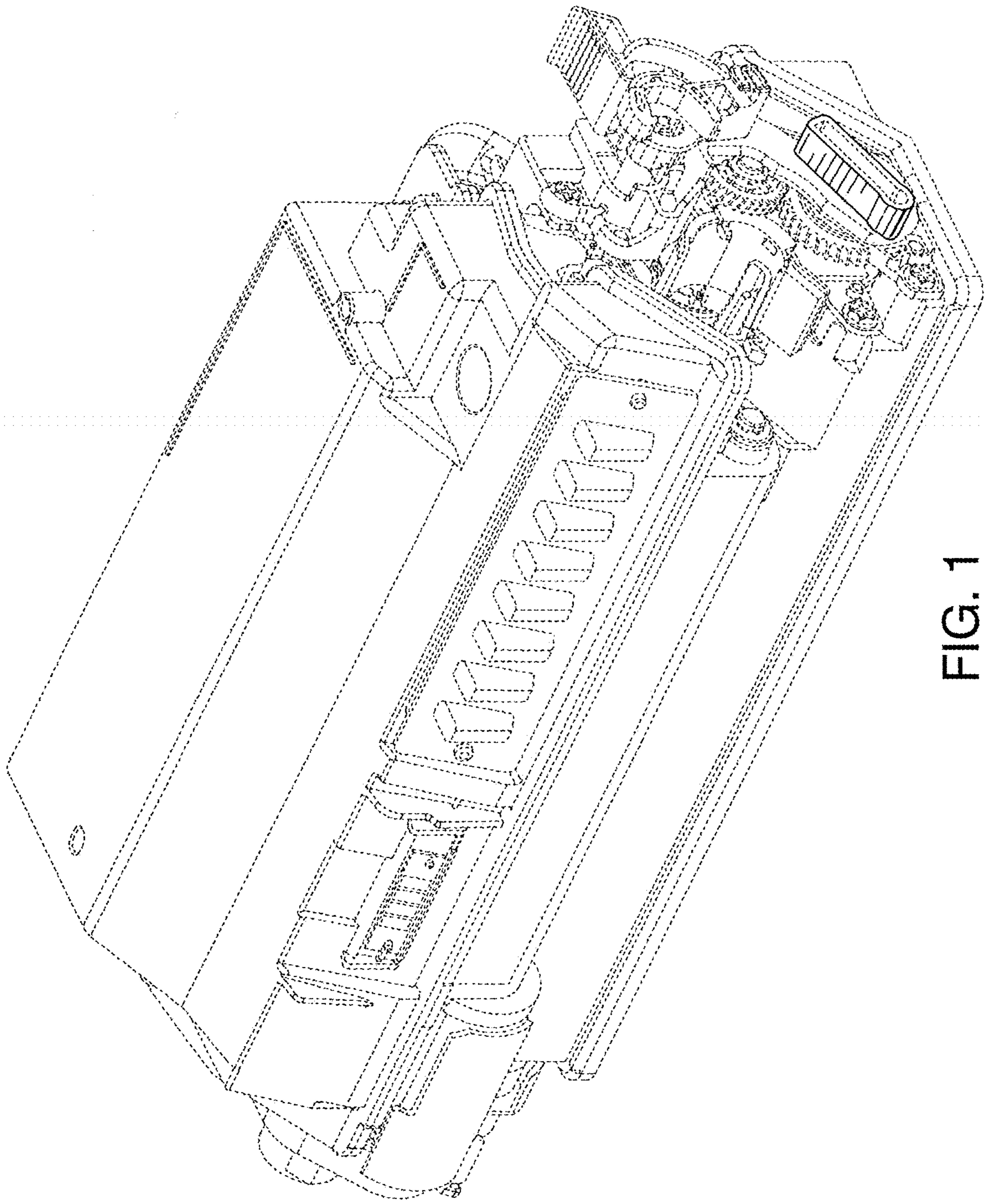


FIG. 1

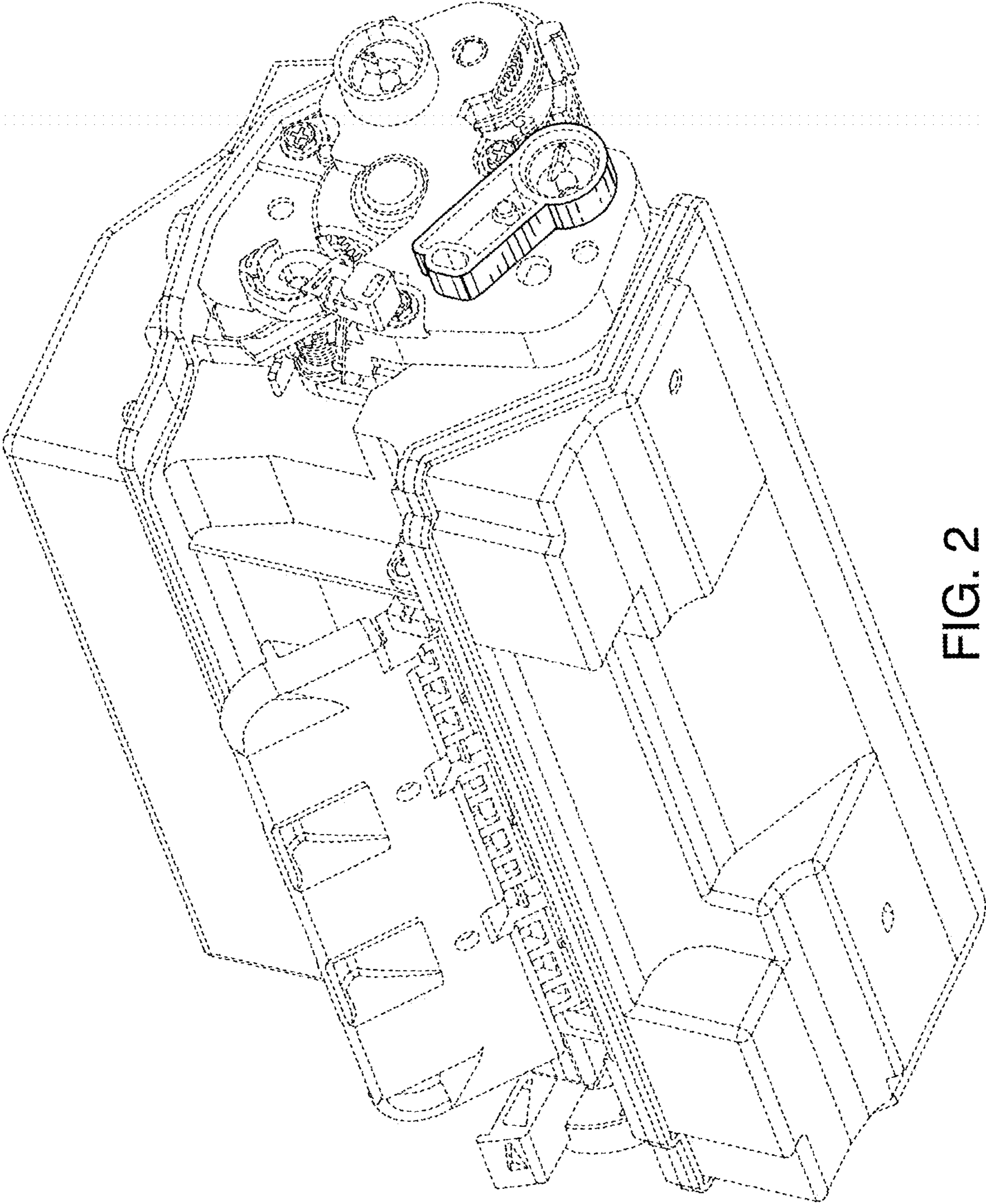


FIG. 2

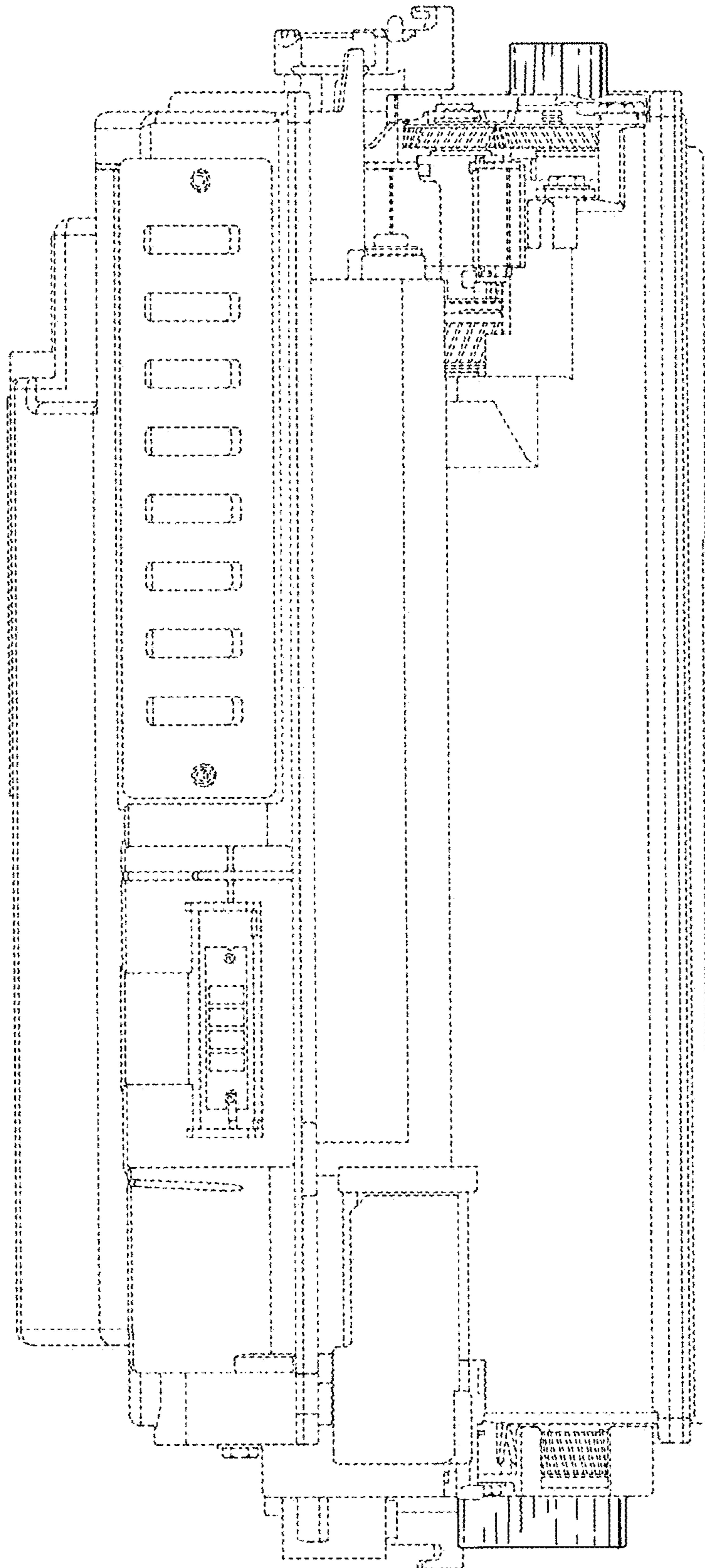


FIG. 3

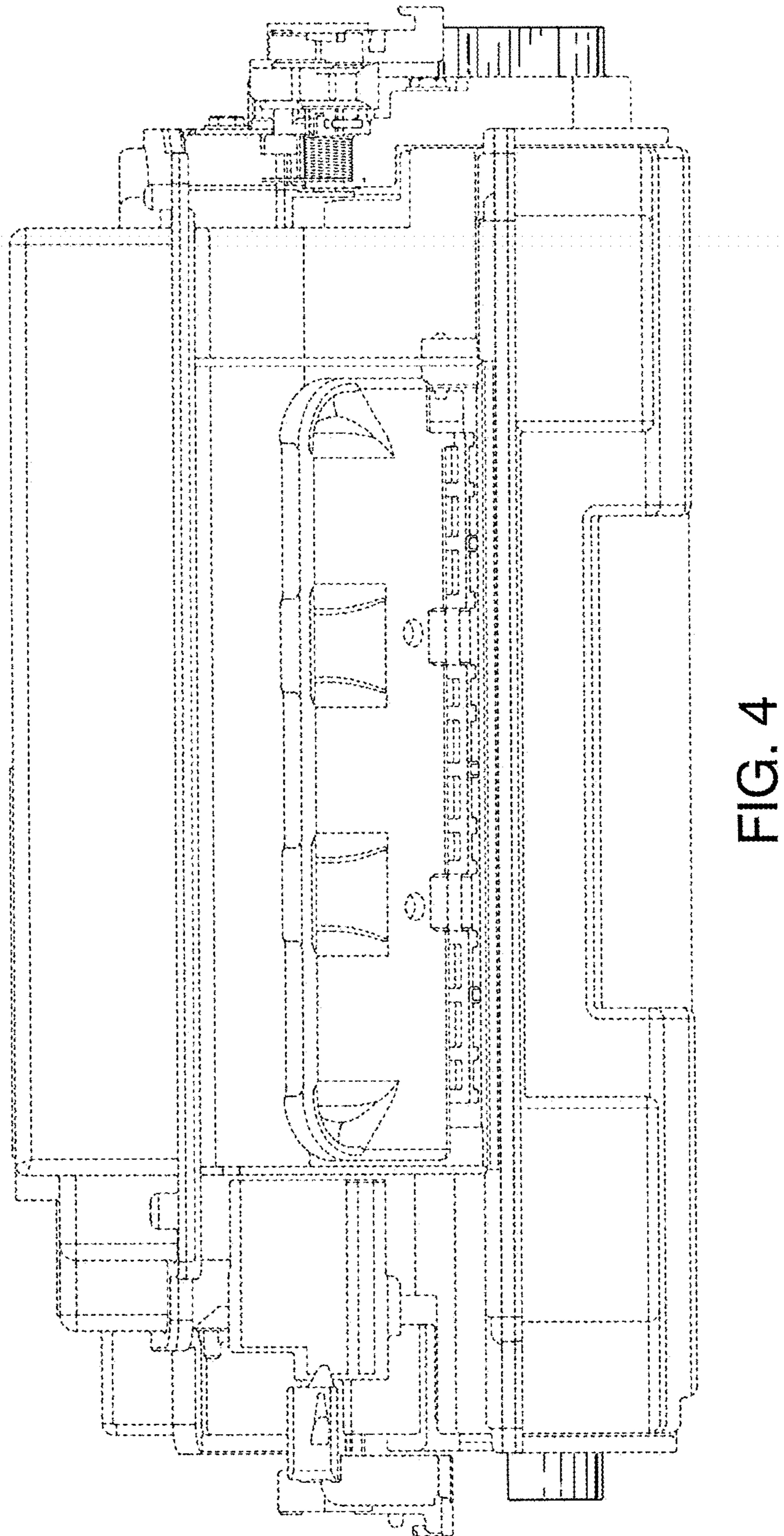


FIG. 4

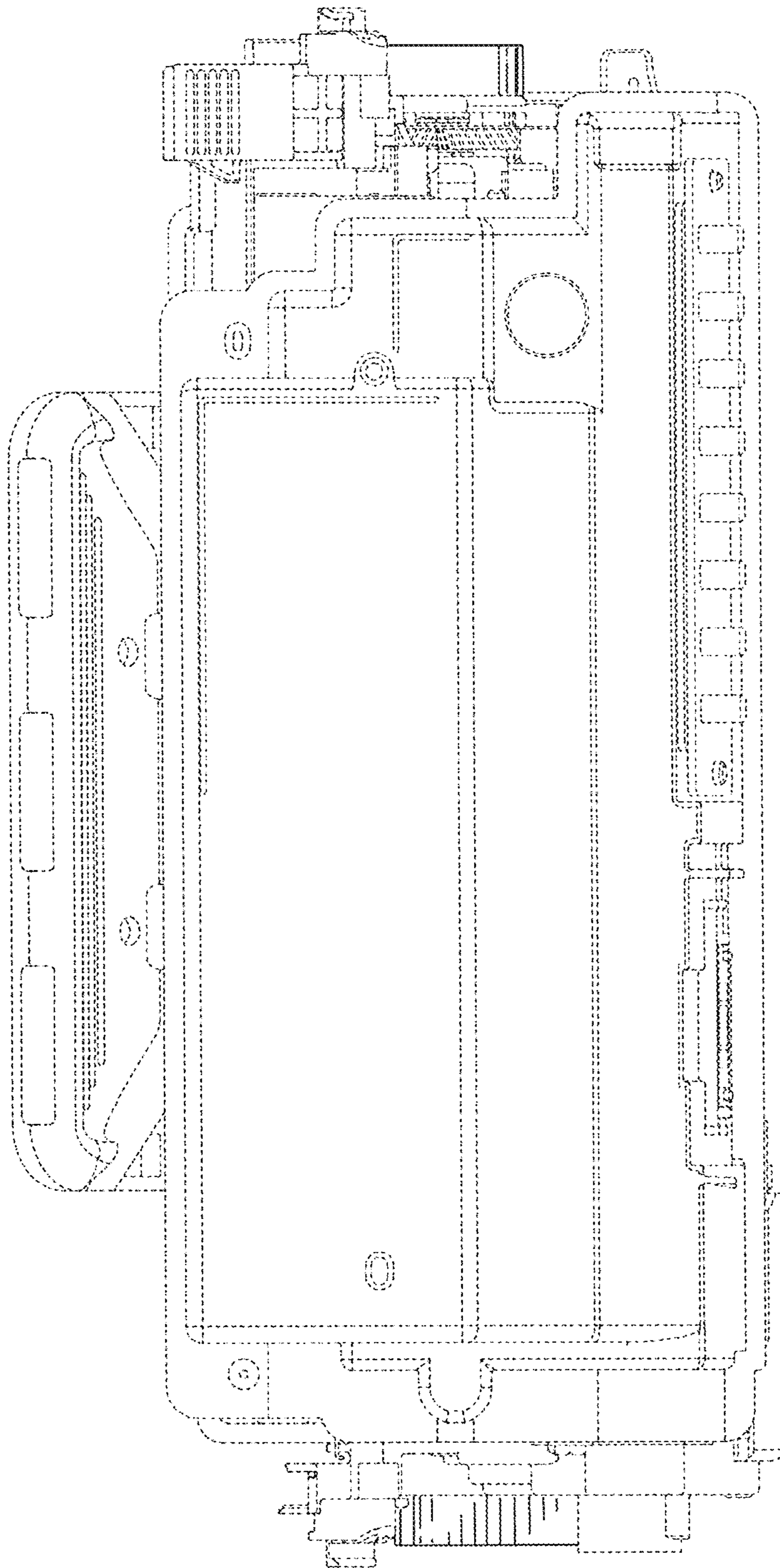


FIG. 5

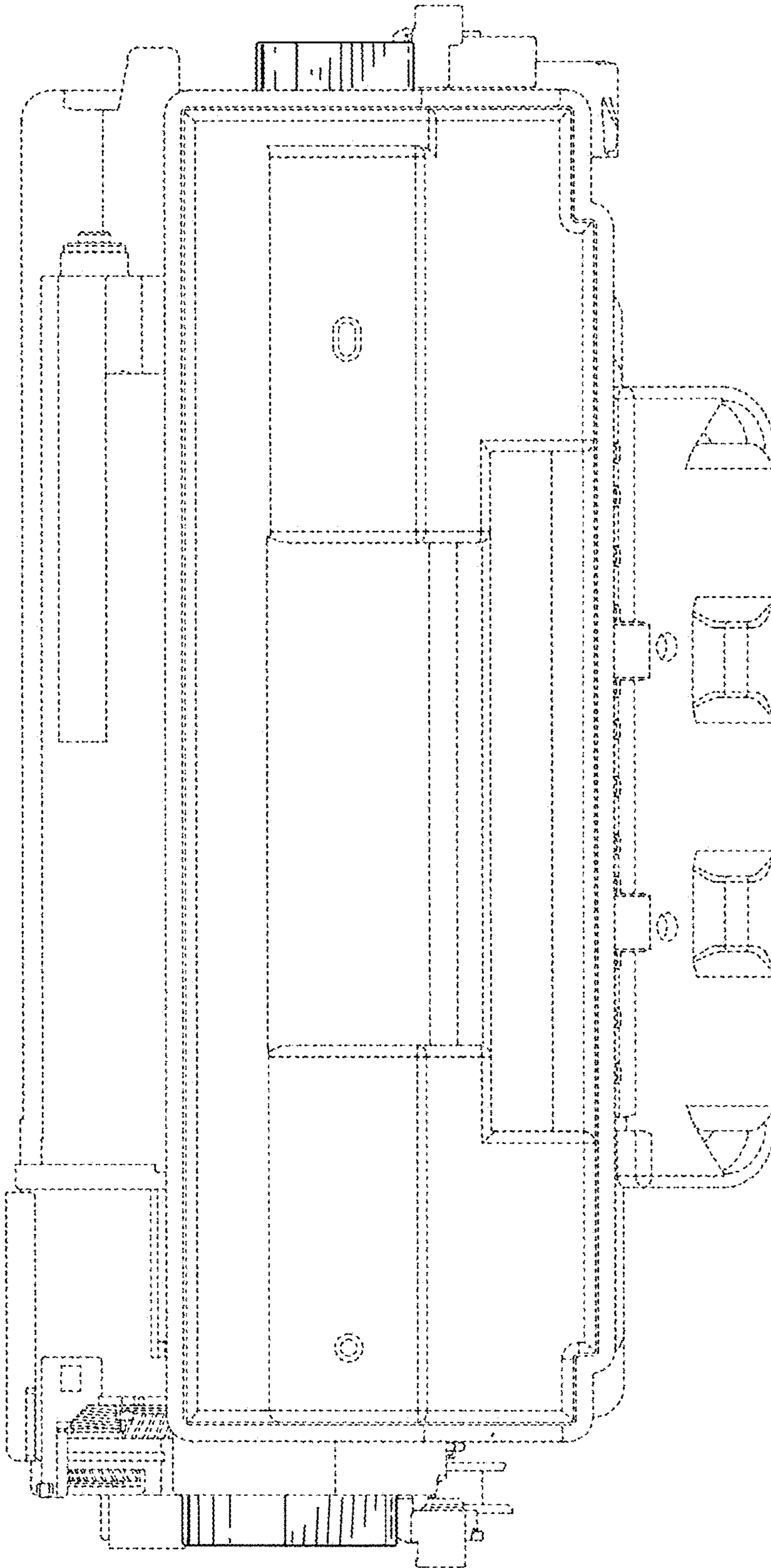


FIG. 6

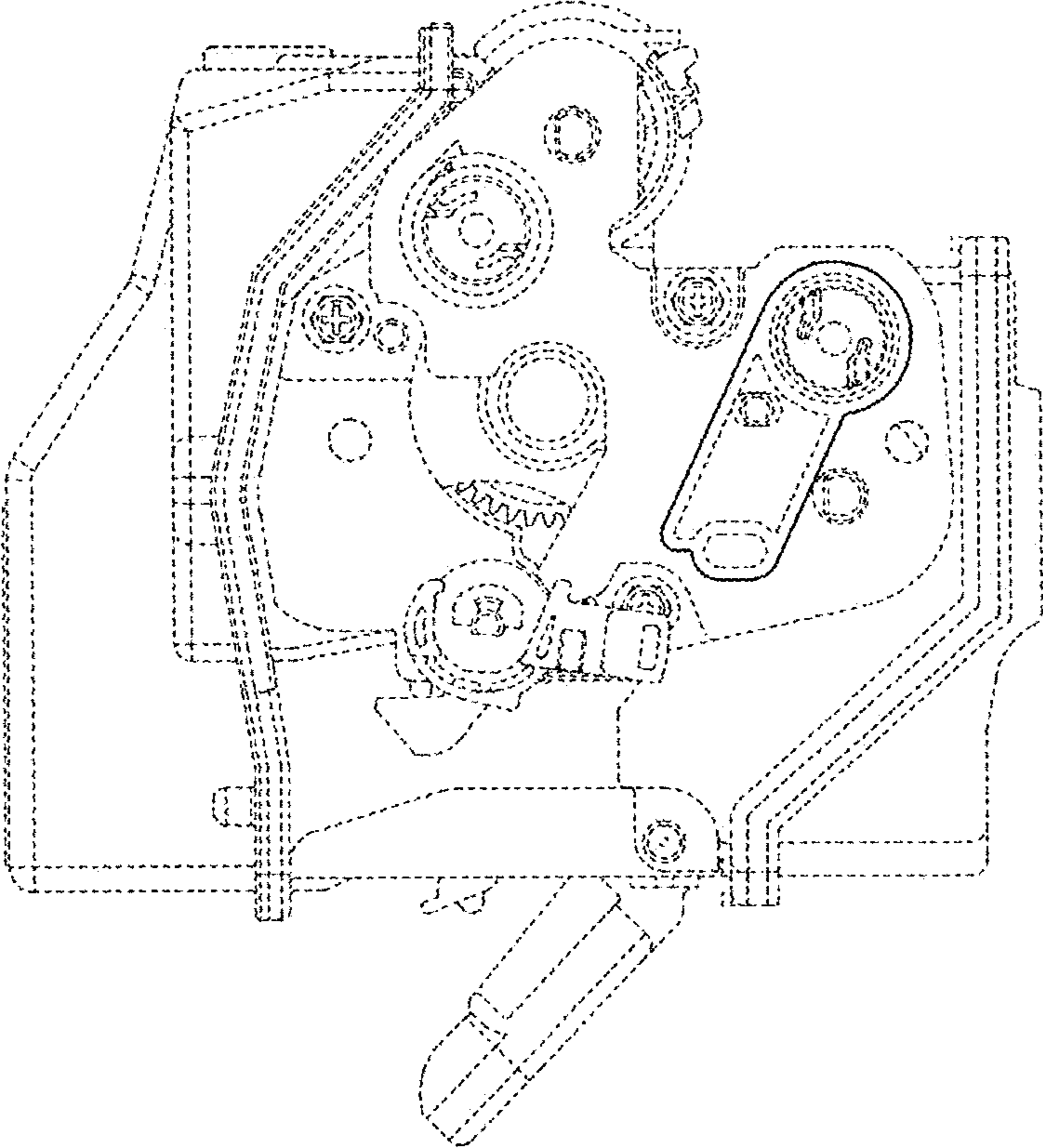


FIG. 7

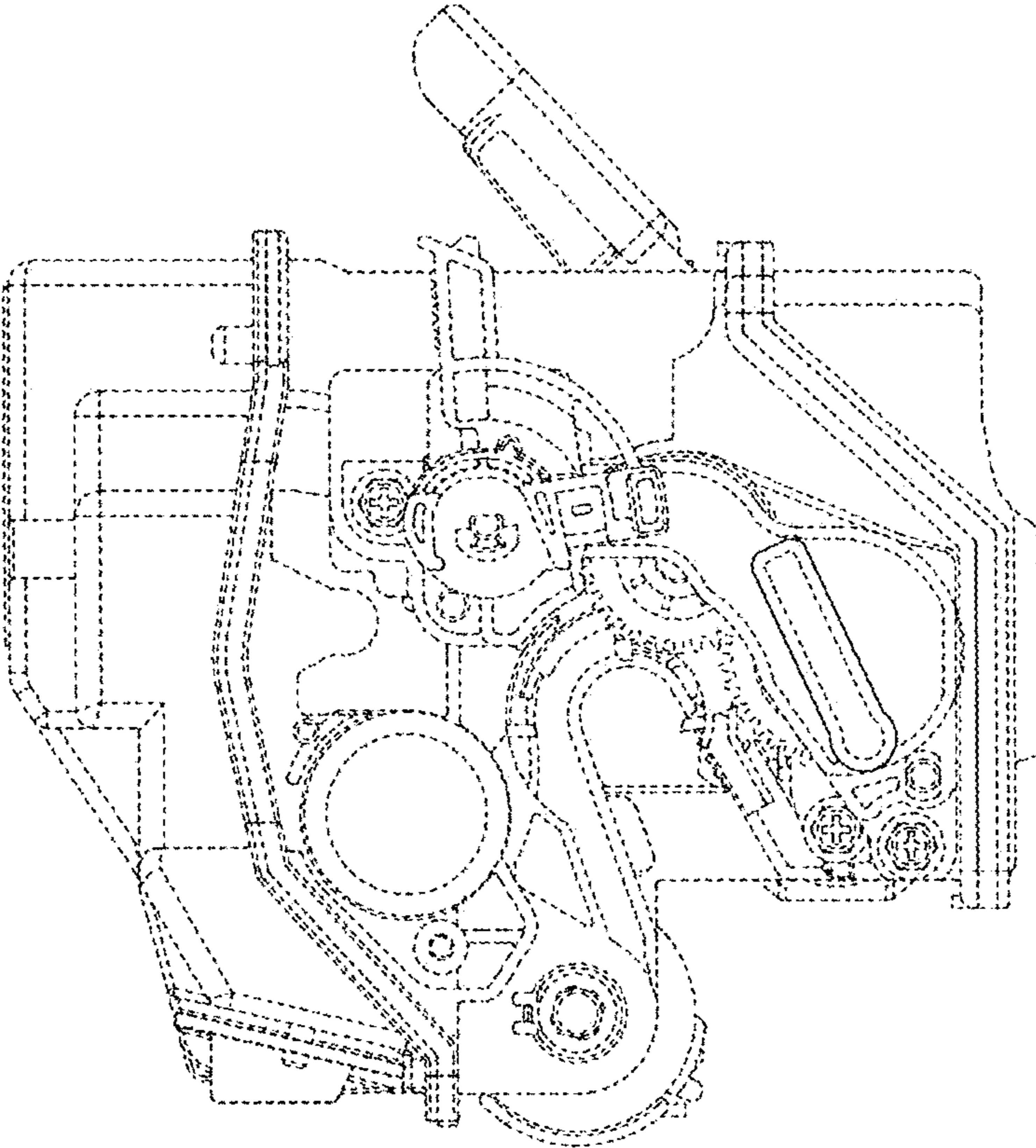


FIG. 8