



US00D896304S

(12) **United States Design Patent**
Chen

(10) **Patent No.:** **US D896,304 S**

(45) **Date of Patent:** **** Sep. 15, 2020**

(54) **EYEGLASS FRAME**

(71) Applicant: **Mei-Chu Chen**, Tainan (TW)

(72) Inventor: **Mei-Chu Chen**, Tainan (TW)

(**) Term: **15 Years**

(21) Appl. No.: **29/693,224**

(22) Filed: **May 31, 2019**

(51) **LOC (12) Cl.** **16-06**

(52) **U.S. Cl.**

USPC **D16/325**; D16/319; D16/312

(58) **Field of Classification Search**

USPC D16/100, 101, 300, 305-329, 330,
D16/332-342; D29/106, 107, 110

CPC .. A61F 9/02; A61F 9/026; A61F 9/027; A61F
9/028

See application file for complete search history.

(56) **References Cited**

U.S. PATENT DOCUMENTS

D166,231 S *	3/1952	Stegeman et al.	D16/312
3,012,248 A *	12/1961	Kleinman	A61F 9/026
			2/436
3,718,937 A *	3/1973	Smith	A61F 9/025
			2/436
5,018,223 A *	5/1991	Dawson	A61F 9/02
			2/436
D535,678 S *	1/2007	Lane	D16/311
D559,299 S *	1/2008	Tabacchi	D16/303
D620,039 S *	7/2010	Cyr	D16/311
D620,969 S *	8/2010	Cyr	D16/312
D728,665 S *	5/2015	Chen	D16/311

D747,758 S *	1/2016	Lee	D16/312
D821,037 S *	6/2018	Wallis	D29/110
D869,102 S *	12/2019	Yi	D30/144
2015/0049294 A1 *	2/2015	Chin	G02C 5/08
			351/86
2015/0320600 A1 *	11/2015	Blanchard	A61F 9/026
			2/431
2017/0100287 A1 *	4/2017	Calilung	A61F 9/026

OTHER PUBLICATIONS

Wheelz, date archived on Wayback Machine Nov. 15, 2012, site visited Jun. 5, 2020, <<https://web.archive.org/web/20121115101231/https://gatewaysafety.com/products/goggles/wheelz/>>.*

* cited by examiner

Primary Examiner — Cathron C Brooks

Assistant Examiner — Sharon S Oum

(74) *Attorney, Agent, or Firm* — Rosenberg, Klein & Lee

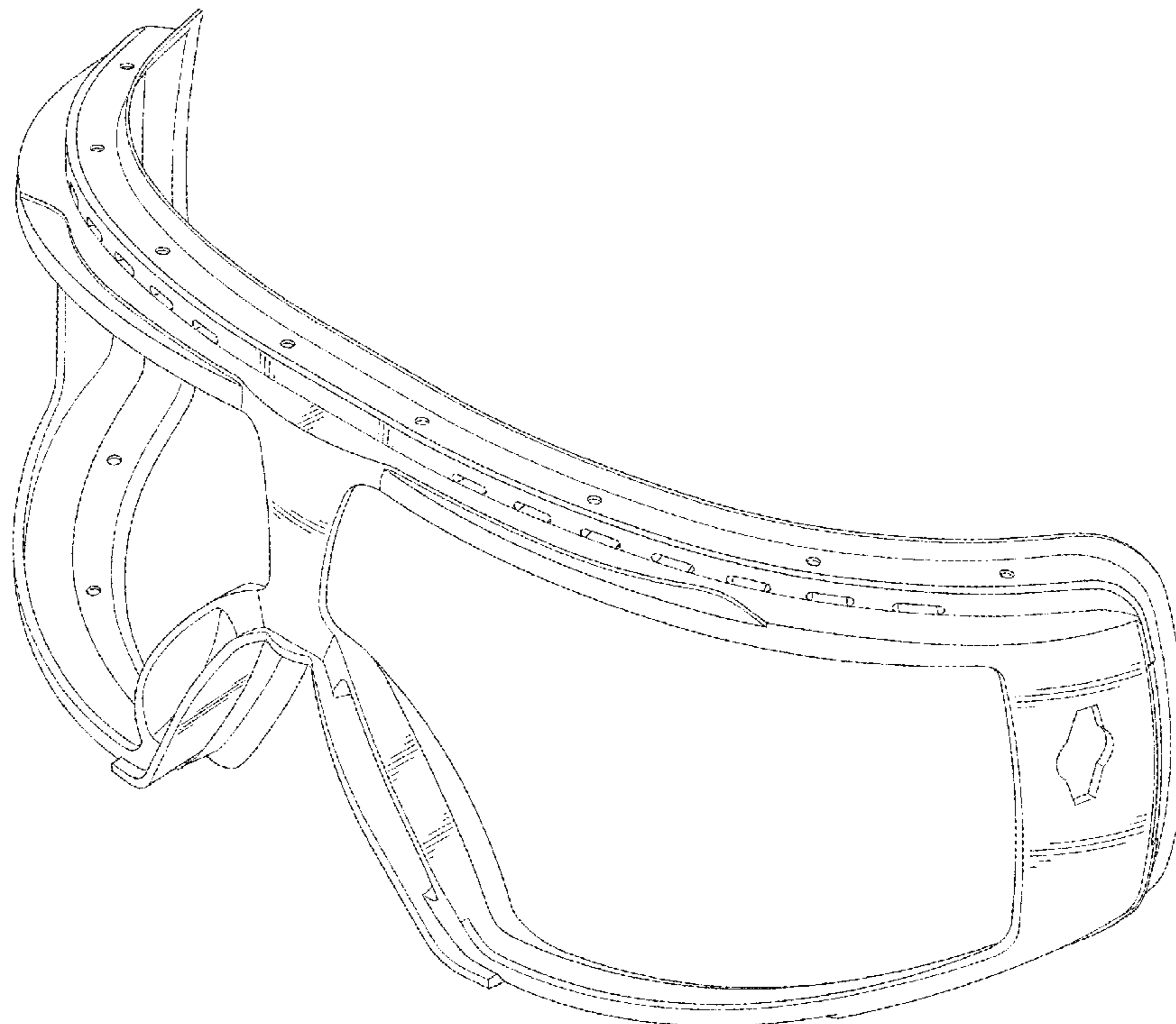
(57) **CLAIM**

The ornamental design for an eyeglass frame, as shown and described.

DESCRIPTION

FIG. 1 is a perspective view of an eyeglass frame showing my new design;
FIG. 2 is a front elevational view thereof;
FIG. 3 is a rear elevational view thereof;
FIG. 4 is a left side elevational view thereof;
FIG. 5 is a right side elevational view thereof;
FIG. 6 is a top plan view thereof; and,
FIG. 7 is a bottom plan view thereof.

1 Claim, 7 Drawing Sheets



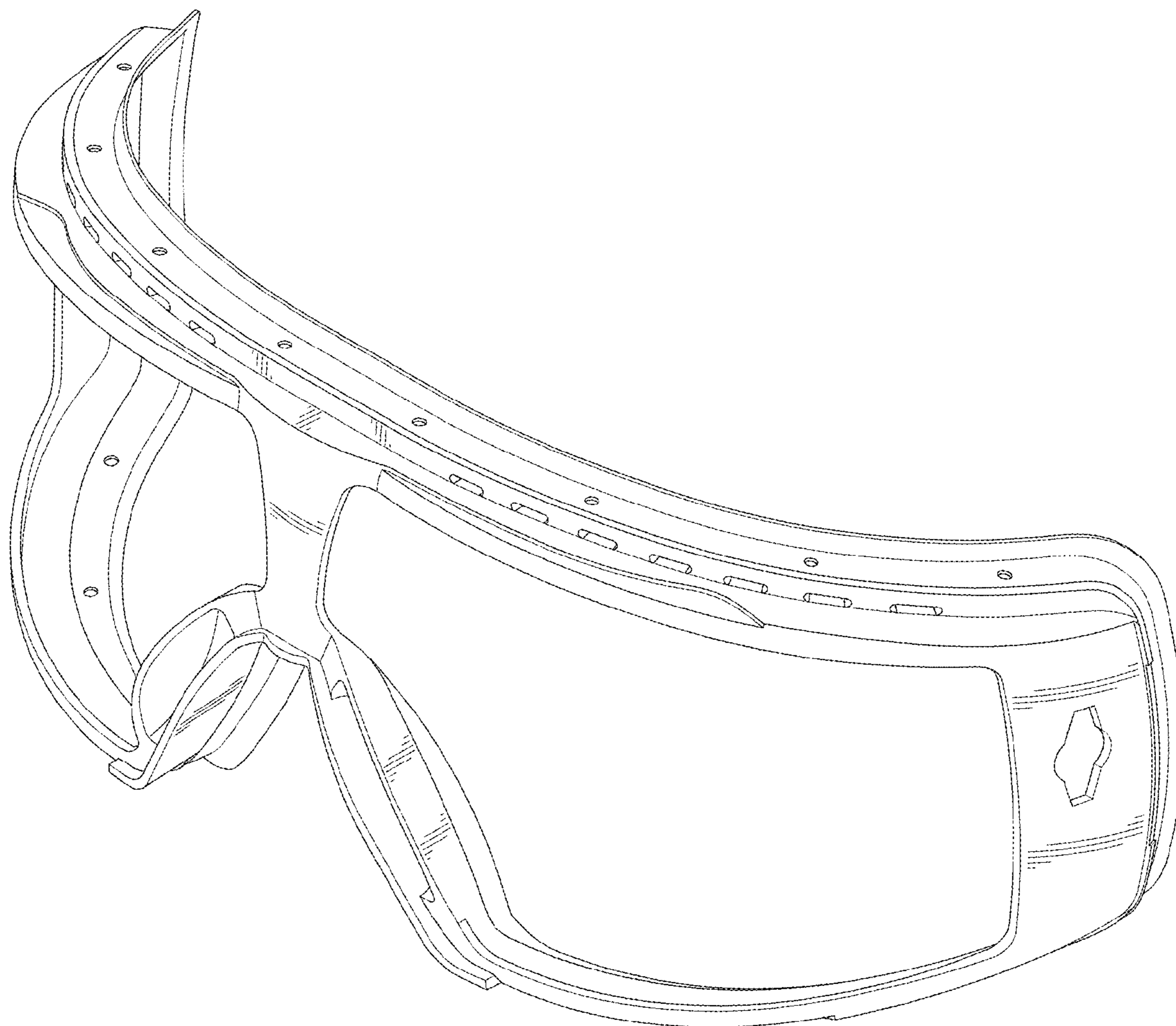


FIG. 1

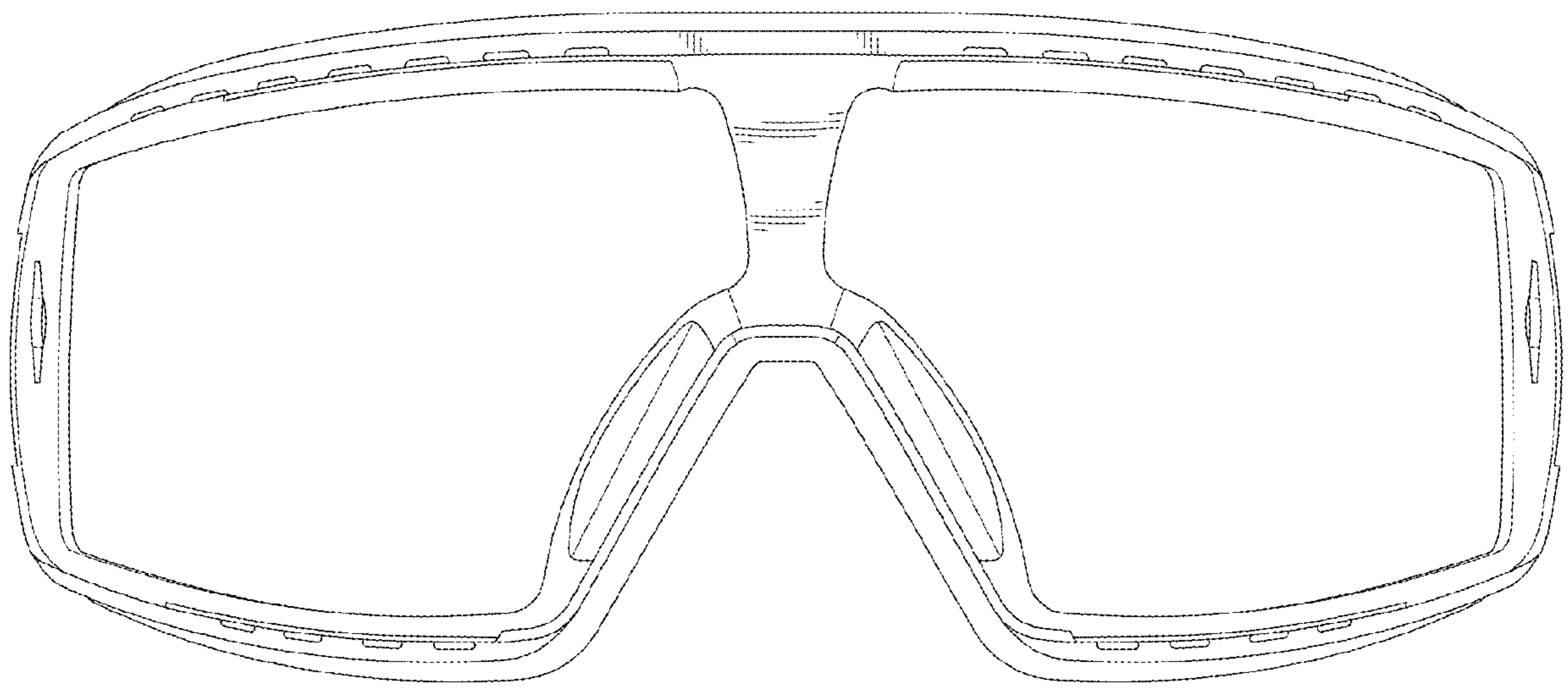


FIG. 2

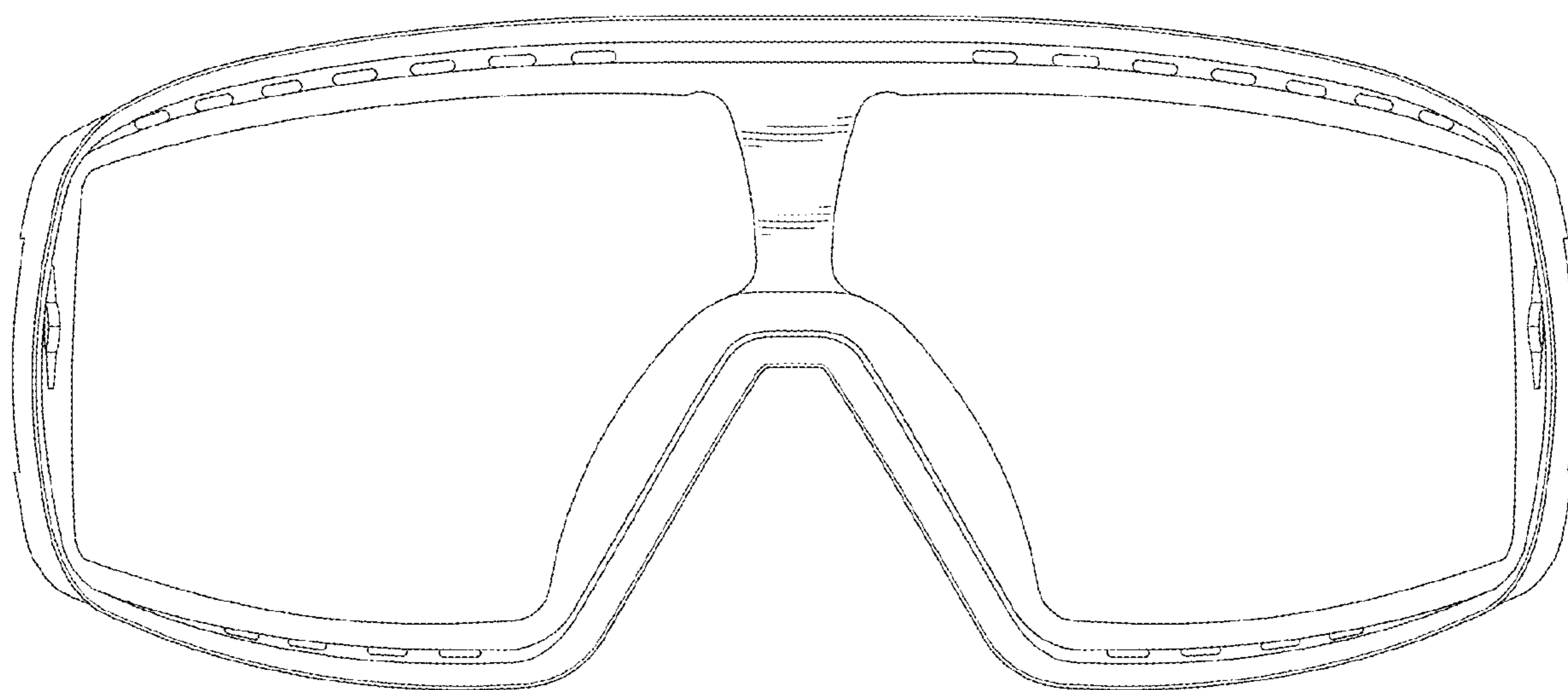


FIG. 3

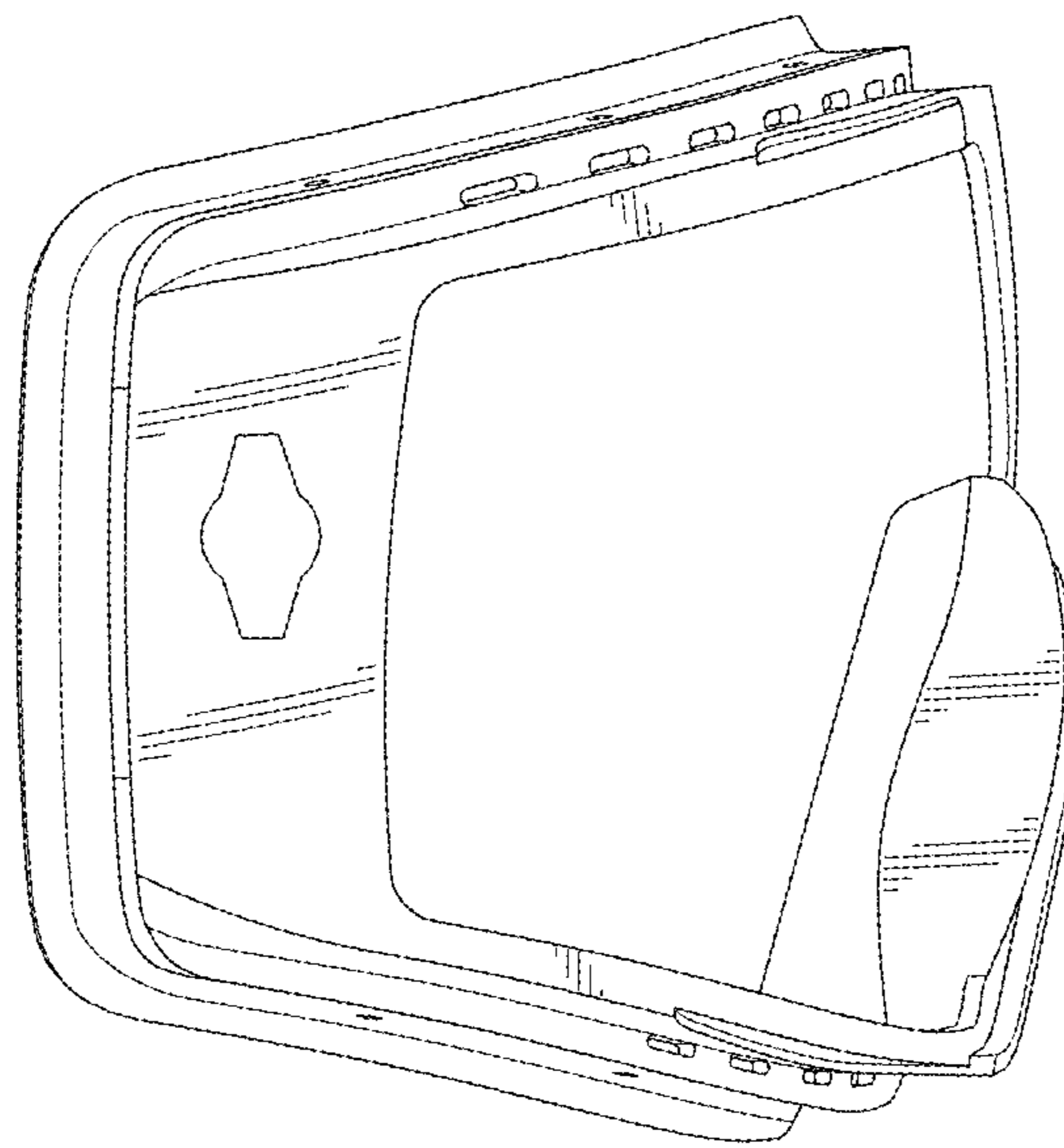


FIG. 4

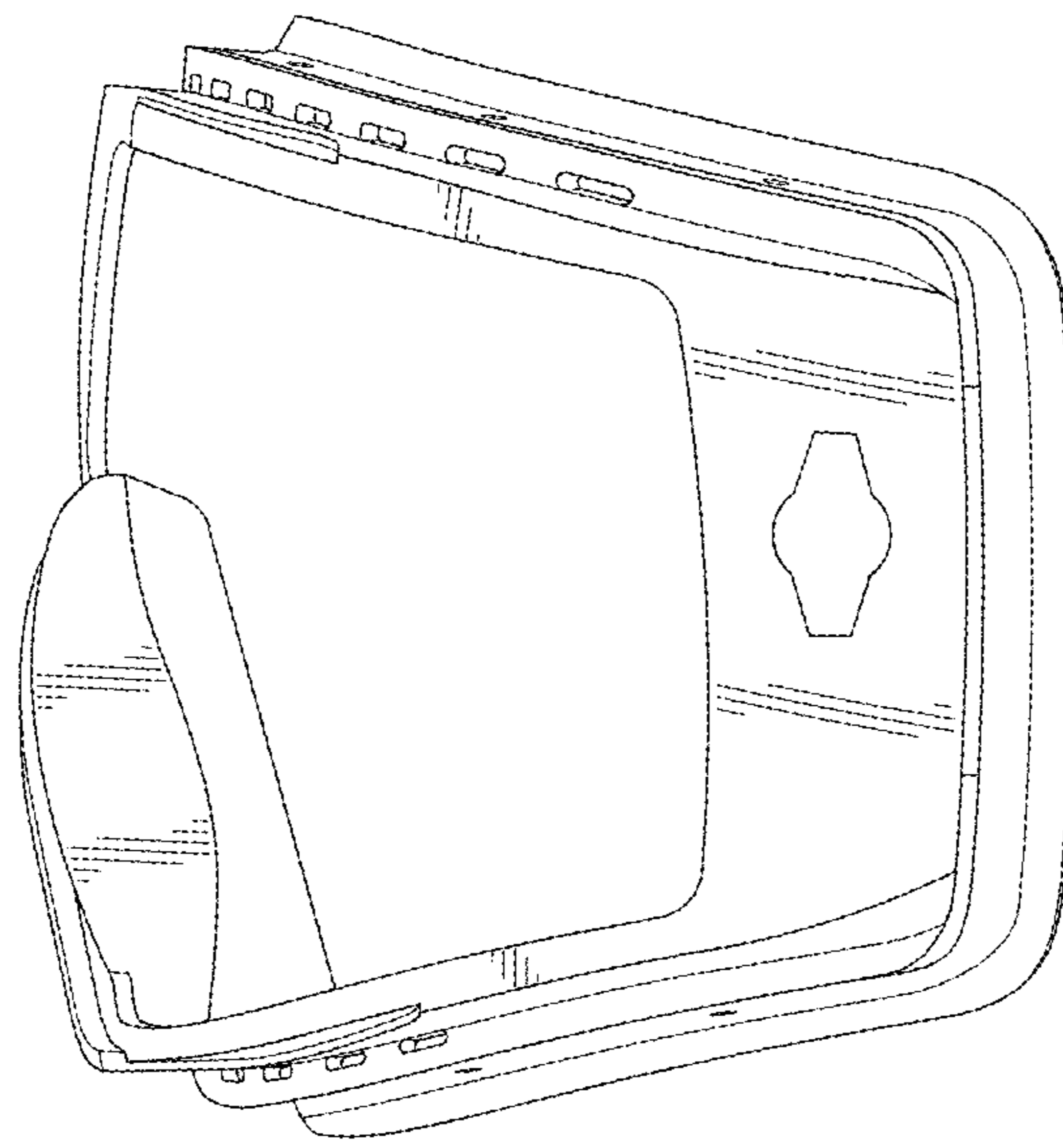


FIG. 5

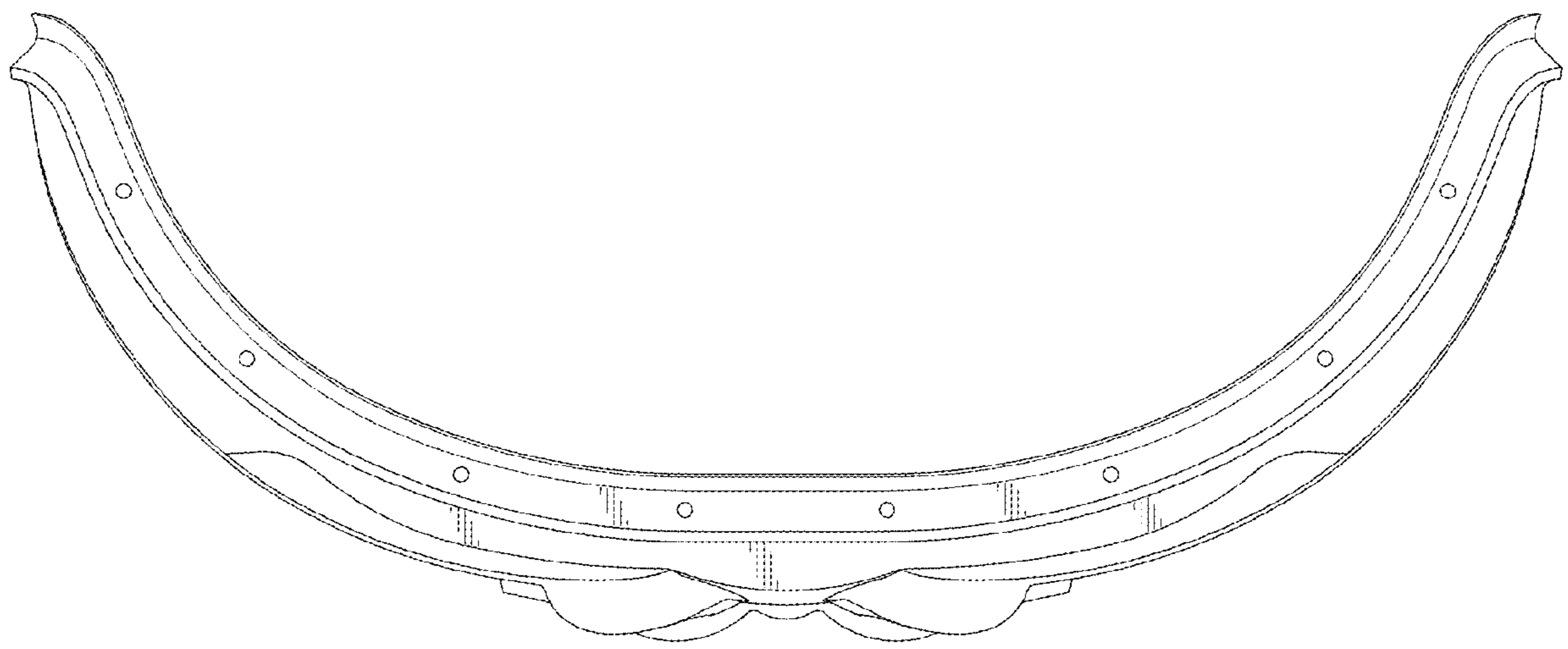


FIG. 6

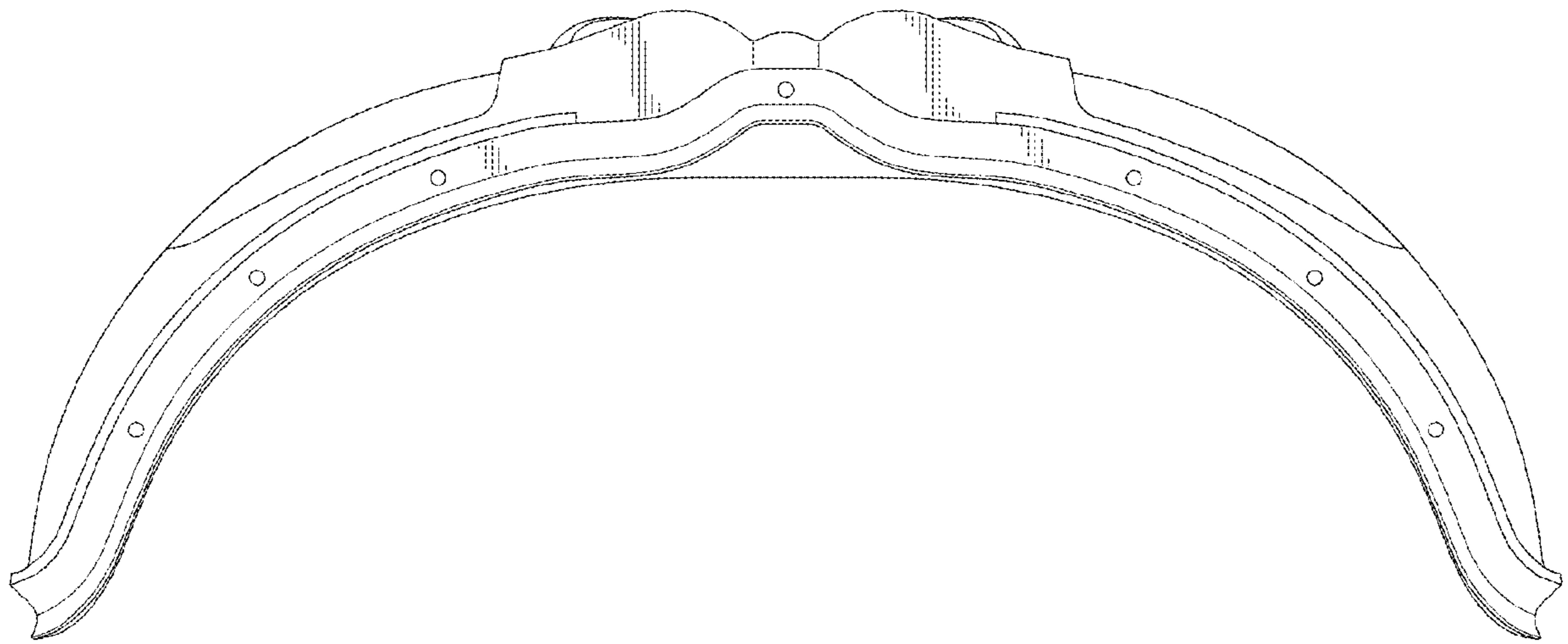


FIG. 7