



US00D896303S

(12) **United States Design Patent**  
**Lee**

(10) **Patent No.:** **US D896,303 S**

(45) **Date of Patent:** **\*\* Sep. 15, 2020**

(54) **EYEGLASSES**

(71) Applicant: **TRIMAX Safety Corporation**, Tainan (TW)

(72) Inventor: **John Lee**, Tainan (TW)

(73) Assignee: **TRIMAX Safety Corporation**, Tainan (TW)

(\*\*) Term: **15 Years**

(21) Appl. No.: **29/675,643**

(22) Filed: **Jan. 4, 2019**

(51) **LOC (12) Cl.** ..... **16-06**

(52) **U.S. Cl.**  
USPC ..... **D16/321; D16/329**

(58) **Field of Classification Search**  
USPC ..... D16/100, 101, 300–329, 330, 332–342;  
D29/106, 107, 110  
CPC ... G02C 5/00; G02C 5/02; G02C 5/10; G02C  
5/14; G02C 5/16  
See application file for complete search history.

(56) **References Cited**

**U.S. PATENT DOCUMENTS**

D343,182 S *	1/1994	Jannard	.....	D16/300
D495,356 S *	8/2004	Freeman	.....	D16/311
D495,729 S *	9/2004	Hou	.....	D16/314
D525,643 S *	7/2006	Wu	.....	D16/326

D555,707 S *	11/2007	Hou	.....	D16/311
D616,917 S *	6/2010	Yang	.....	D16/313
D746,896 S *	1/2016	Markovitz	.....	D16/315
D775,685 S *	1/2017	Rouayroux	.....	D16/314
D779,582 S *	2/2017	Markovitz	.....	D16/315
D846,626 S *	4/2019	Ekbladh	.....	D16/314
2011/0279771 A1 *	11/2011	Chen	.....	G02C 1/04 351/140

\* cited by examiner

*Primary Examiner* — Cathron C Brooks

*Assistant Examiner* — Sharon S Oum

(74) *Attorney, Agent, or Firm* — Alan D. Kamrath; Mayer & Williams PC

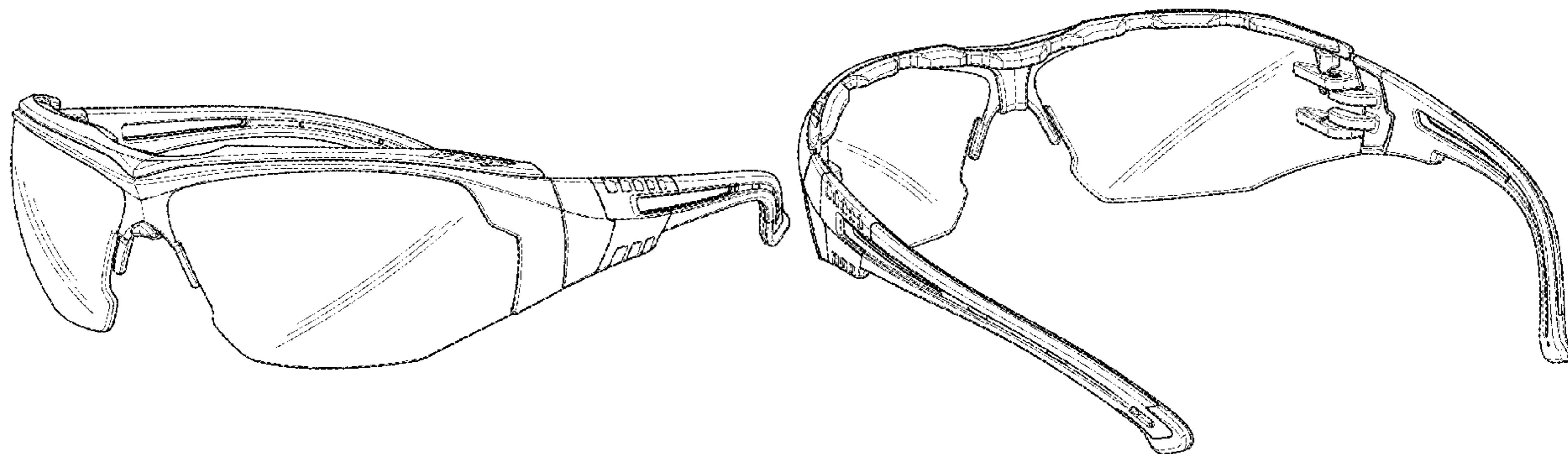
(57) **CLAIM**

The ornamental design for the eyeglasses, as shown and described.

**DESCRIPTION**

FIG. 1 is a perspective view of the eyeglasses showing my new design;  
FIG. 2 is an another perspective view thereof.  
FIG. 3 is a front elevation view thereof;  
FIG. 4 is a rear elevation view thereof;  
FIG. 5 is a left side elevation view thereof;  
FIG. 6 is a right side elevation view thereof;  
FIG. 7 is a top plan view thereof; and,  
FIG. 8 is a bottom plan view thereof.

**1 Claim, 8 Drawing Sheets**



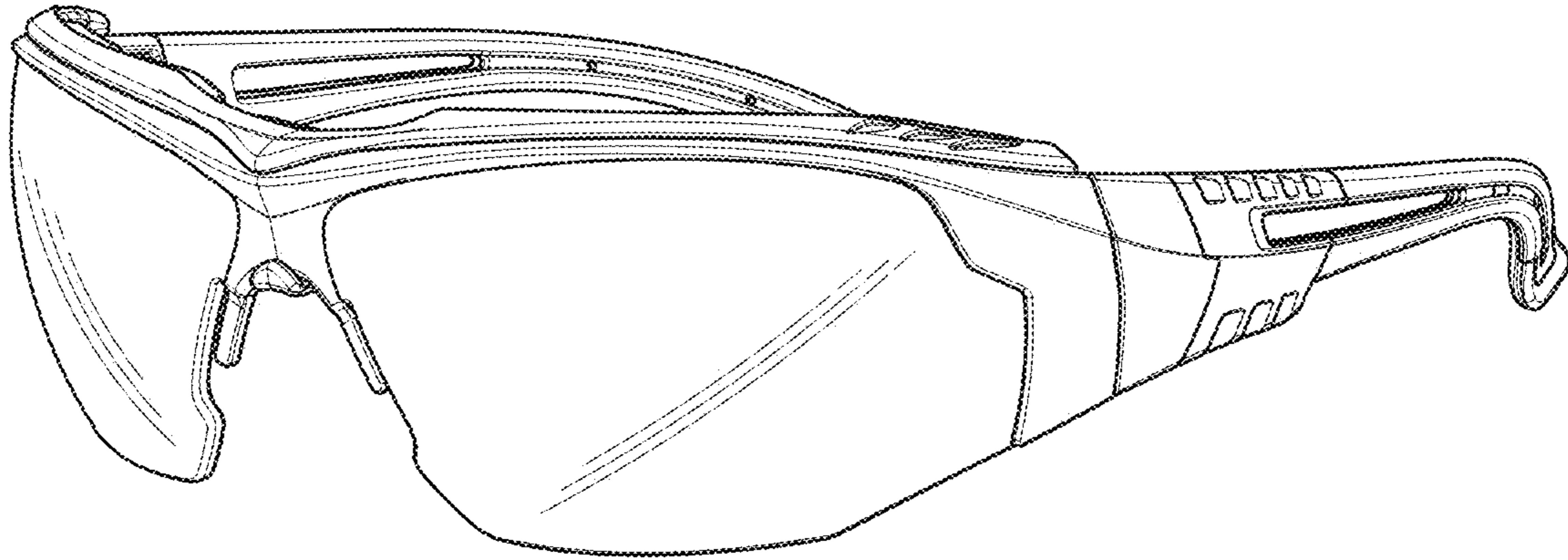


FIG. 1

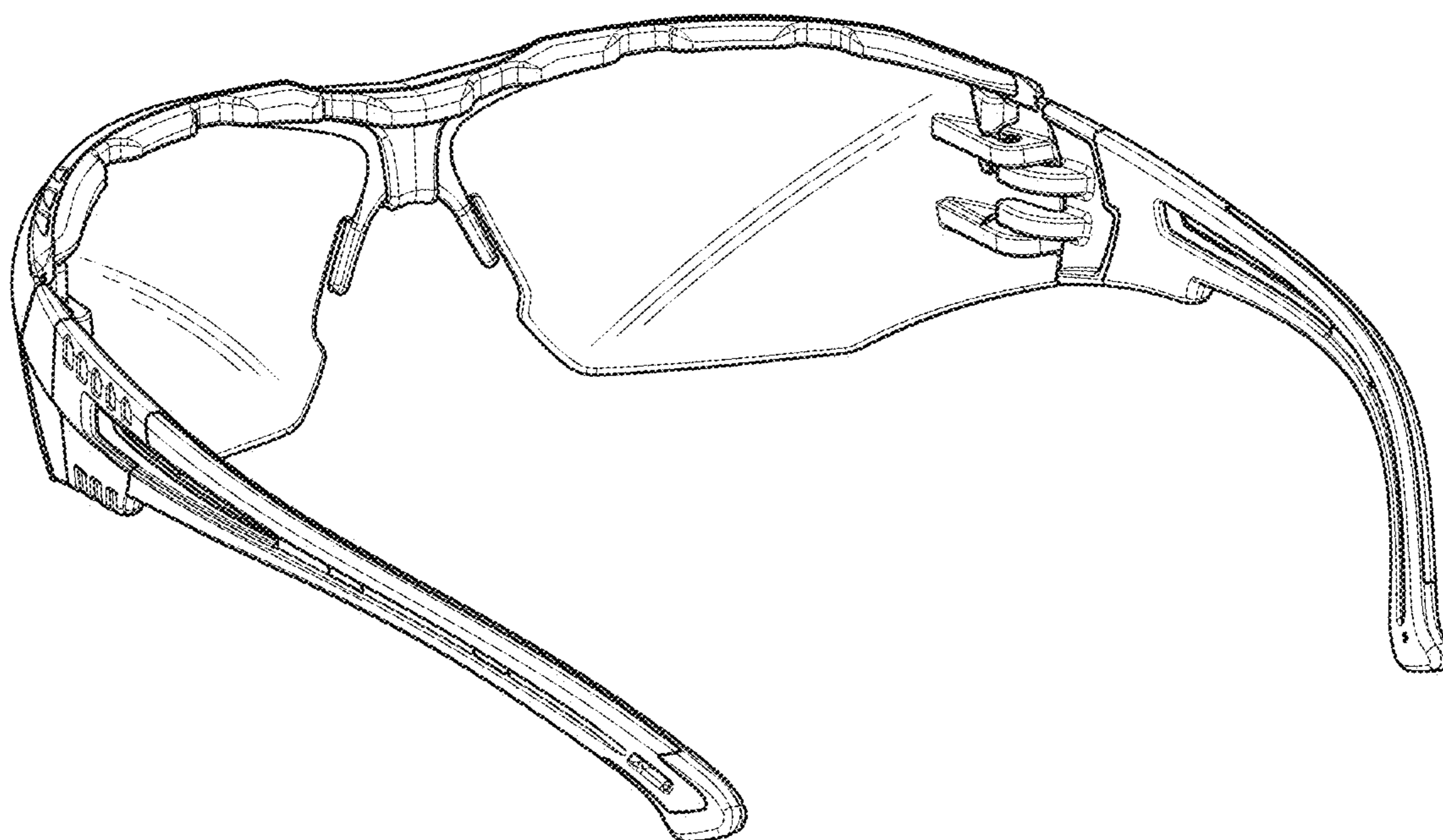
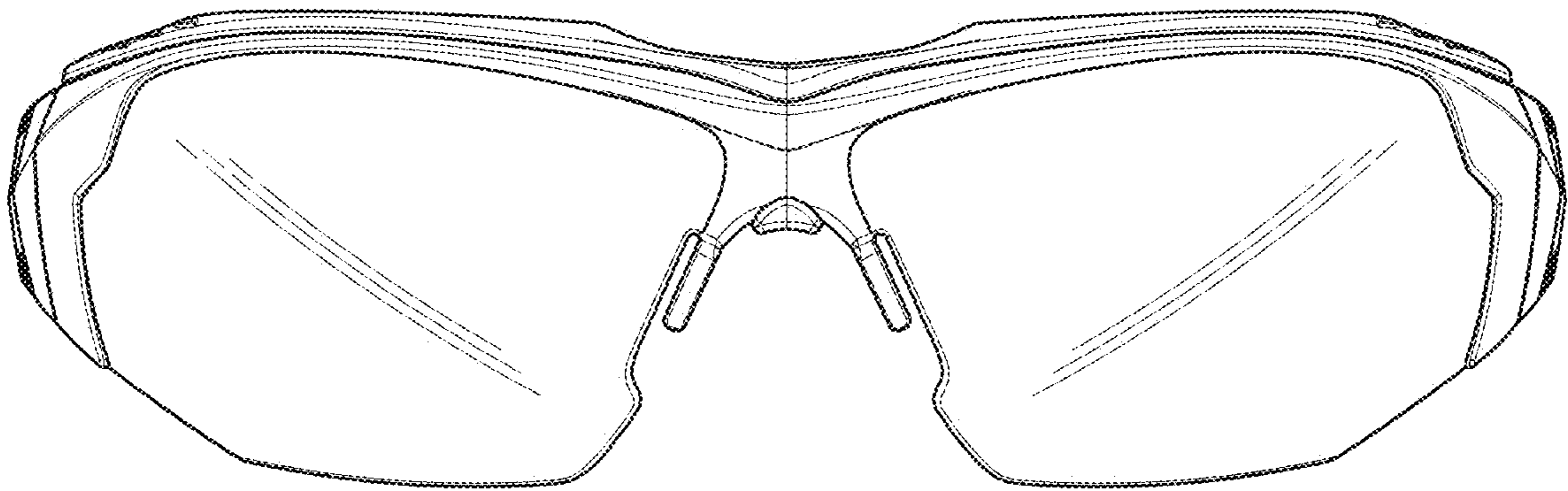
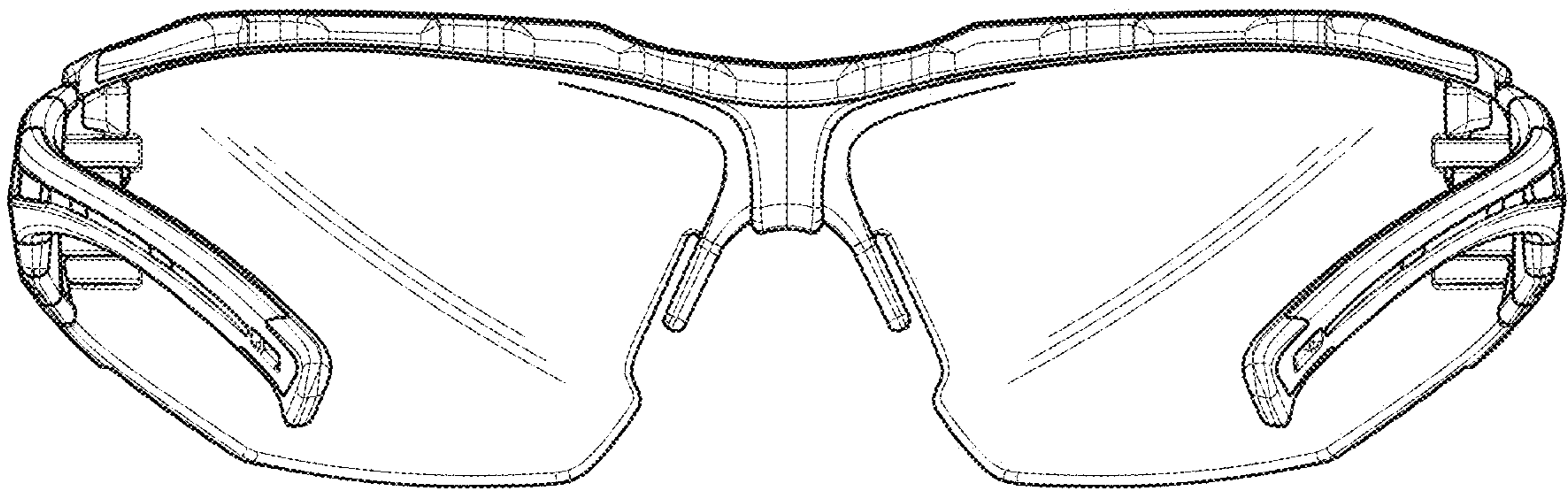


FIG. 2



F I G . 3



F I G . 4



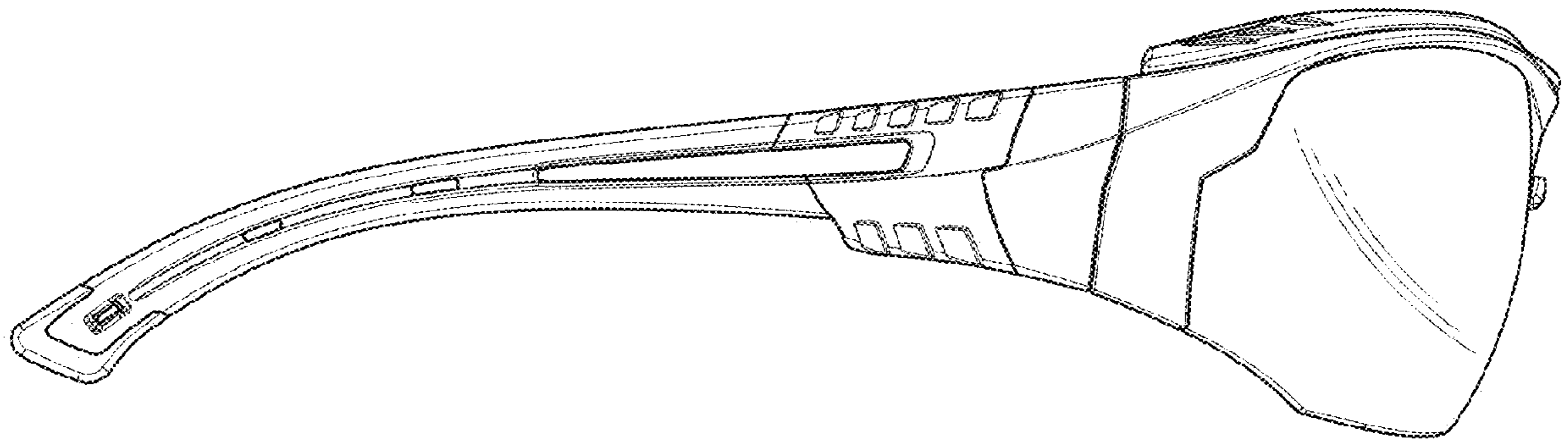


FIG. 5

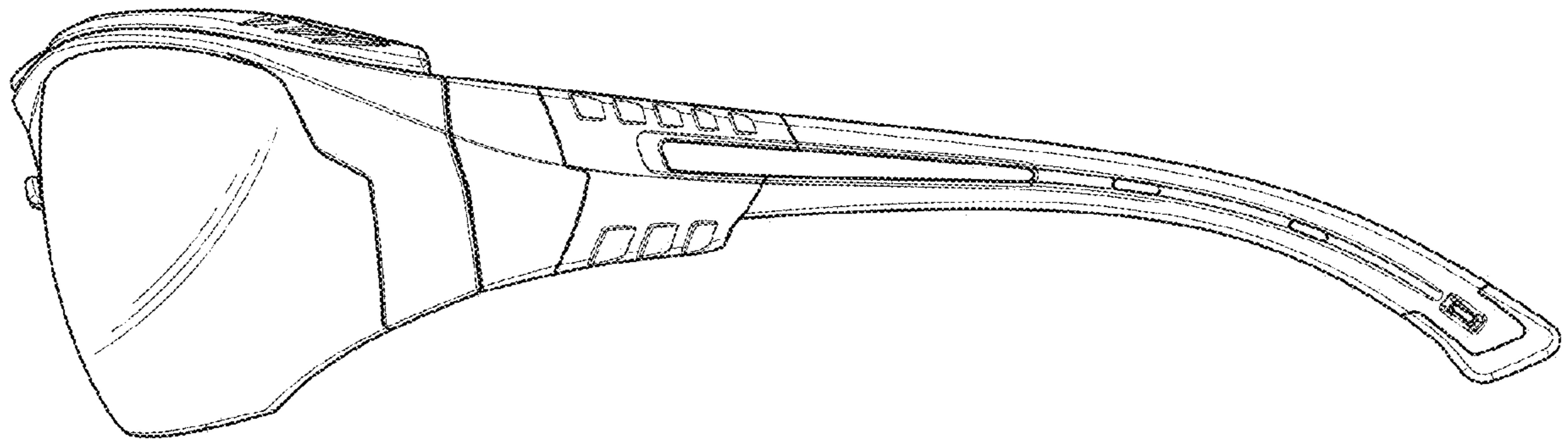


FIG. 6

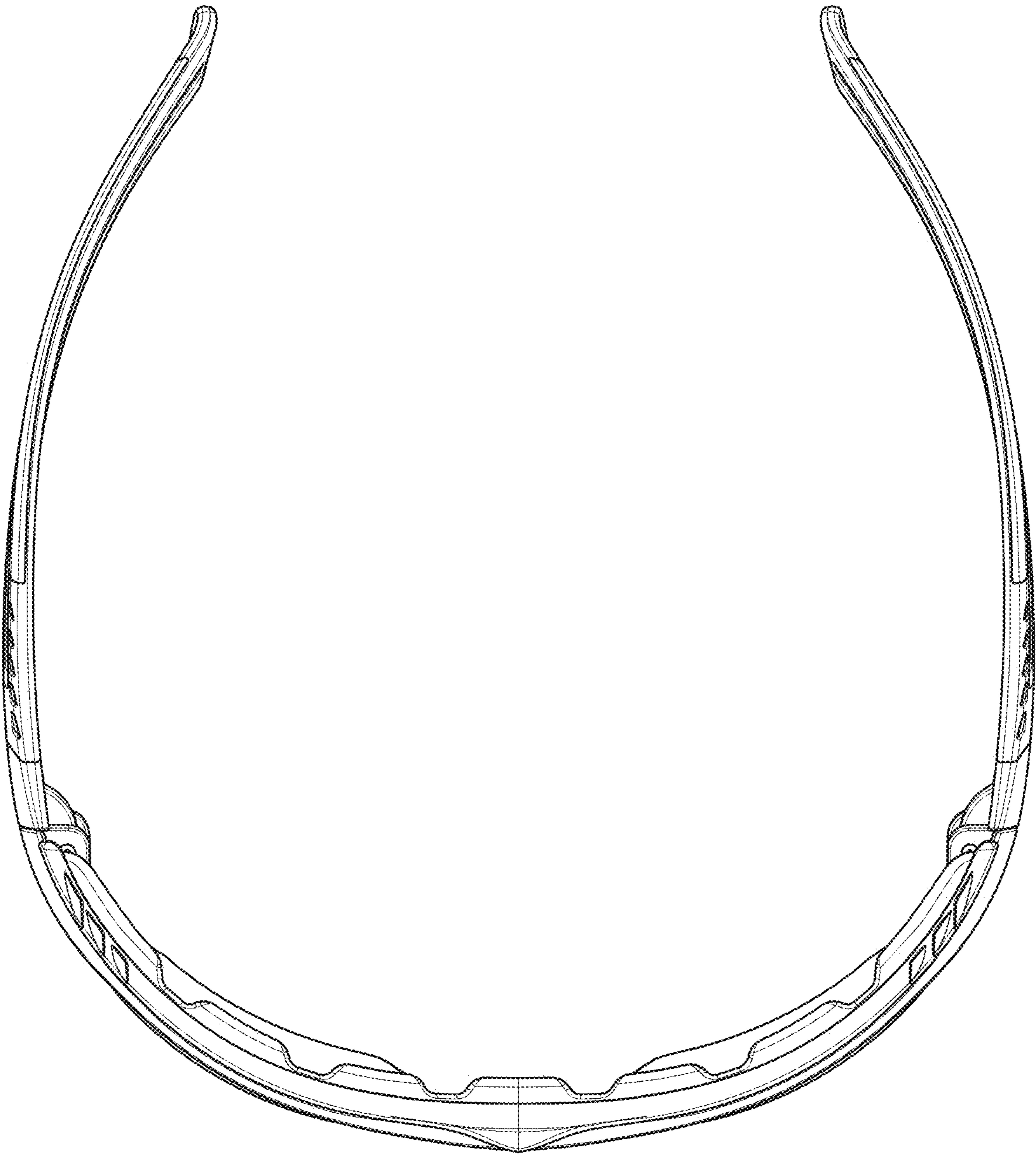


FIG. 7



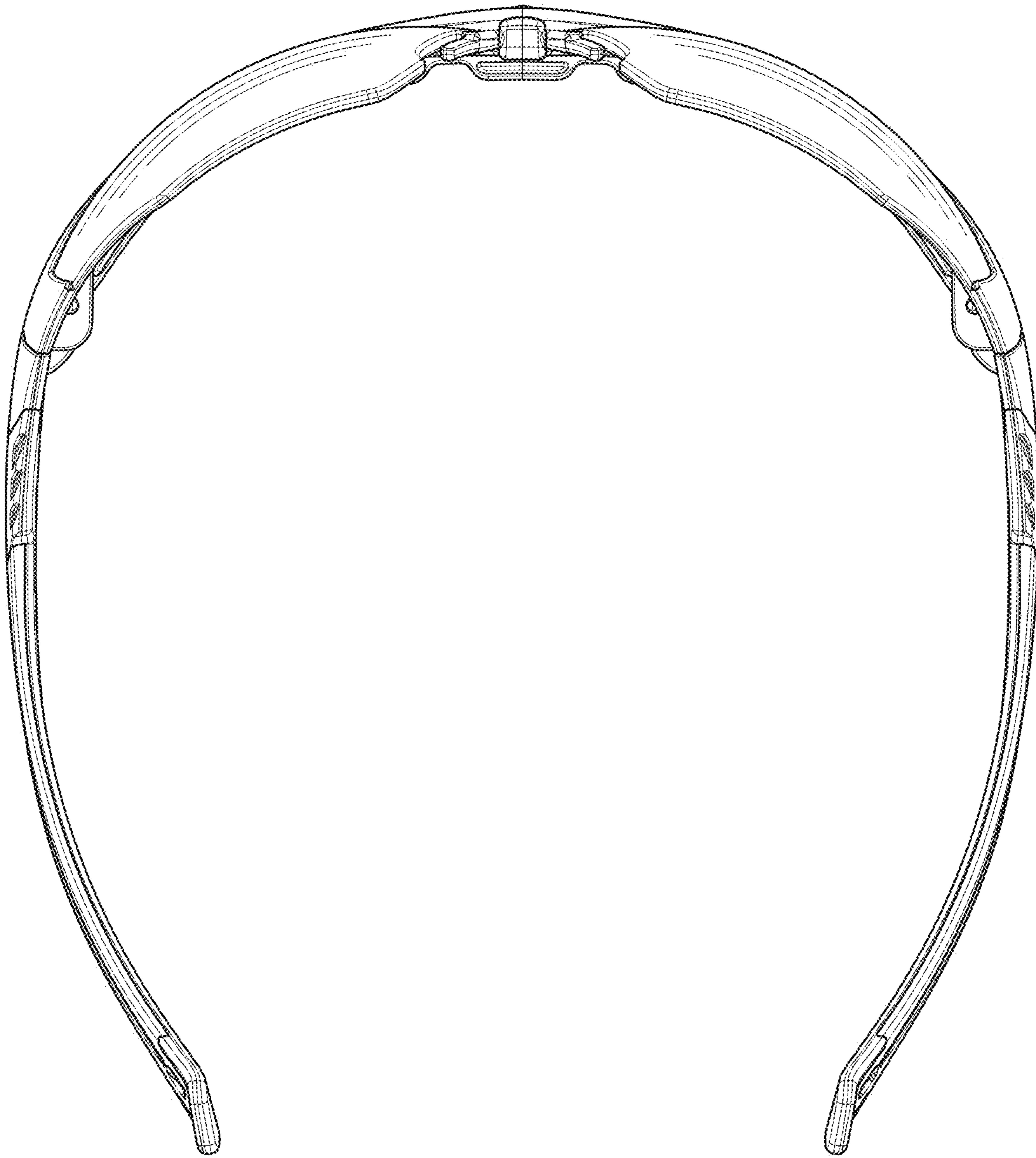


FIG. 8