



US00D896301S

(12) **United States Design Patent**  
**Lin**

(10) **Patent No.:** **US D896,301 S**

(45) **Date of Patent:** **\*\* Sep. 15, 2020**

(54) **3-WAY TRIPOD HEAD**

(71) Applicant: **Chien-Ting Lin**, Santa Fe Springs, CA  
(US)

(72) Inventor: **Chien-Ting Lin**, Santa Fe Springs, CA  
(US)

(\*\*) Term: **15 Years**

(21) Appl. No.: **29/676,422**

(22) Filed: **Jan. 10, 2019**

(30) **Foreign Application Priority Data**

Jul. 11, 2018 (CN) ..... 2018 3 0372470

(51) **LOC (12) Cl.** ..... **16-05**

(52) **U.S. Cl.**  
USPC ..... **D16/242**

(58) **Field of Classification Search**  
USPC ..... D16/208–209, 219, 237–250; D8/354,  
D8/355, 363, 373, 382–383, 394–396;  
D14/224, 229, 238, 251, 253, 447, 451,  
D14/457

CPC ..... F16M 11/06–10; F16M 11/14; G02B  
7/00–002; G03B 17/56; G03B  
17/561–568; H04N 5/2253–2254

See application file for complete search history.

(56) **References Cited**

**U.S. PATENT DOCUMENTS**

D286,787 S \* 11/1986 Feinbloom ..... D16/130  
D299,245 S \* 1/1989 Jones ..... D16/245  
D366,887 S \* 2/1996 Wood ..... D16/242  
D382,288 S \* 8/1997 Usui ..... D16/245

D537,859 S \* 3/2007 Speggorin ..... F16M 11/14  
D16/245  
D600,736 S \* 9/2009 Zen ..... D16/242  
D616,913 S \* 6/2010 Lee ..... D16/245  
D811,413 S \* 2/2018 Jeong ..... D14/447  
D834,219 S \* 11/2018 Pilja ..... D25/133  
D841,725 S \* 2/2019 Frisancho Vera ..... D16/245  
D843,433 S \* 3/2019 Balmer ..... D16/242  
D850,520 S \* 6/2019 Voss ..... D16/243

**OTHER PUBLICATIONS**

Benro GD3WH Head Gear Drive 3 Way Head. [online] Retrieved  
Dec. 12, 2019 from URL: <https://www.aliexpress.com/item/32866345654.html>.\*

\* cited by examiner

*Primary Examiner* — Vy N Koenig

(57) **CLAIM**

The ornamental design for a 3-way tripod head, as shown  
and described.

**DESCRIPTION**

FIG. 1 is a perspective view of a 3-way tripod head showing  
my new design;

FIG. 2 is a front elevational view thereof;

FIG. 3 is a rear elevational view thereof;

FIG. 4 is a left elevational view thereof;

FIG. 5 is a right elevational view thereof;

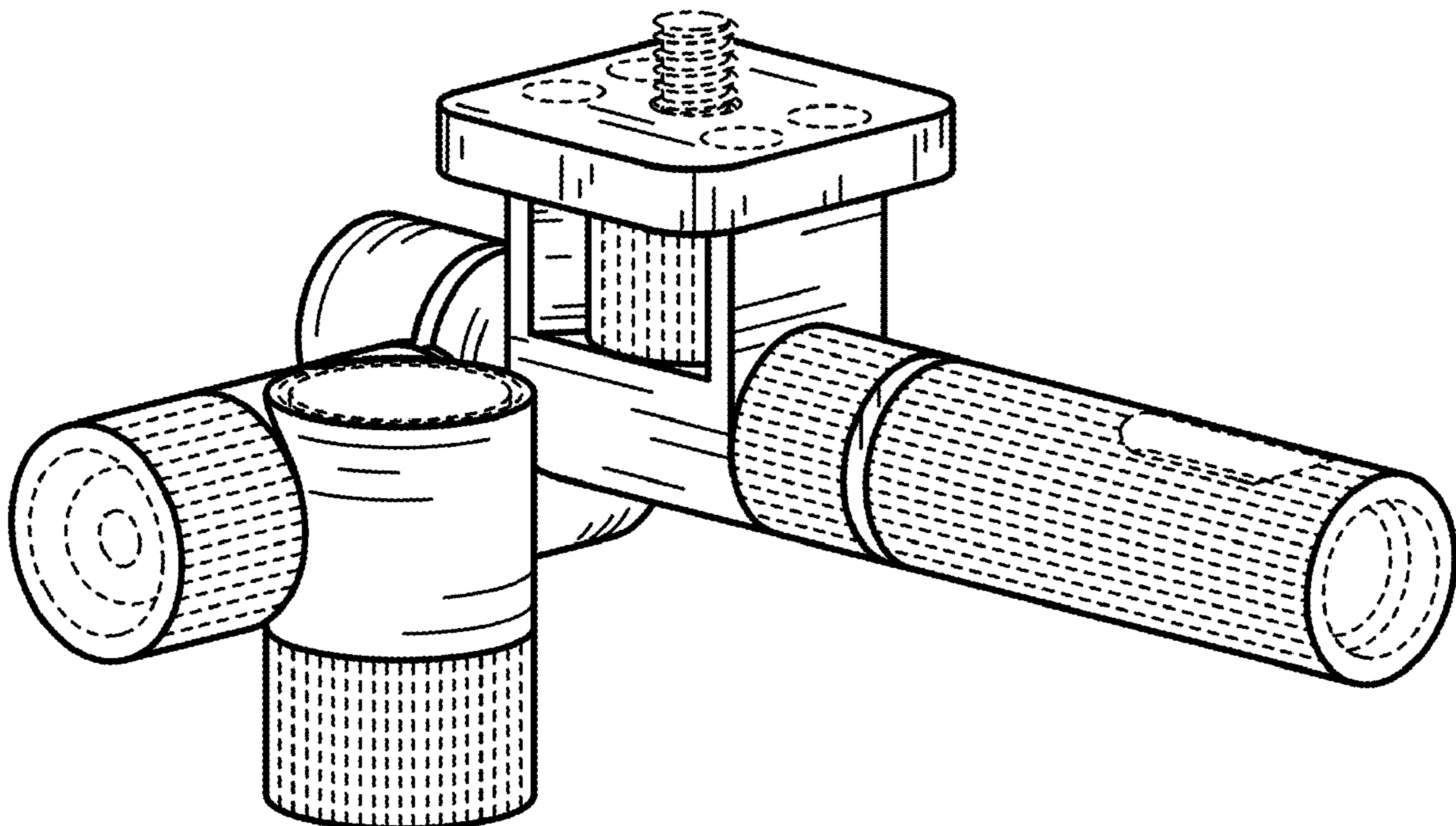
FIG. 6 is a top view thereof;

FIG. 7 is a bottom view thereof; and,

FIG. 8 is a perspective view of the sleeve viewed from  
another direction.

The broken lines in the drawings illustrate portion of the  
3-way tripod head that form no part of the claimed design.

**1 Claim, 8 Drawing Sheets**



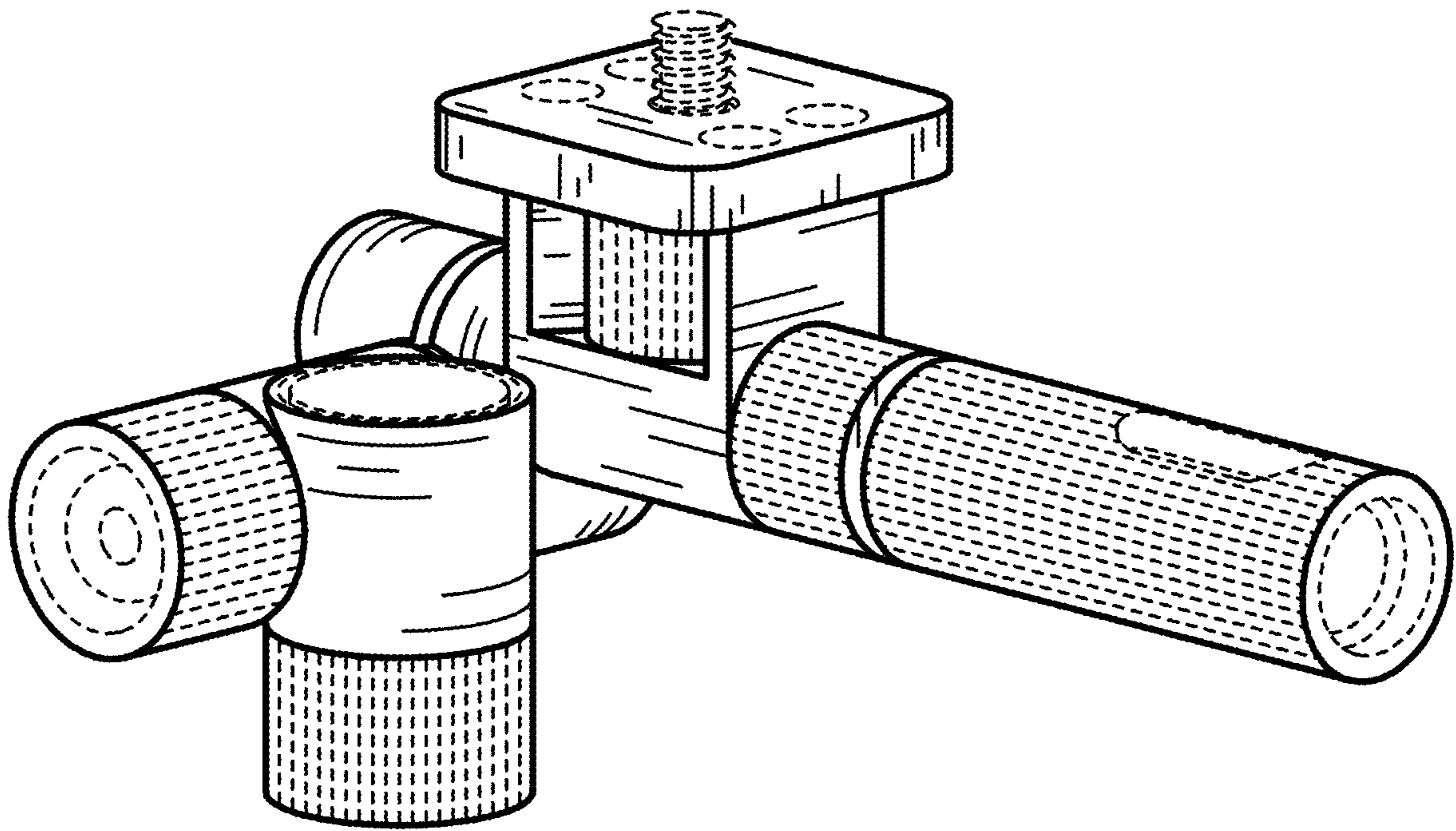


FIG. 1

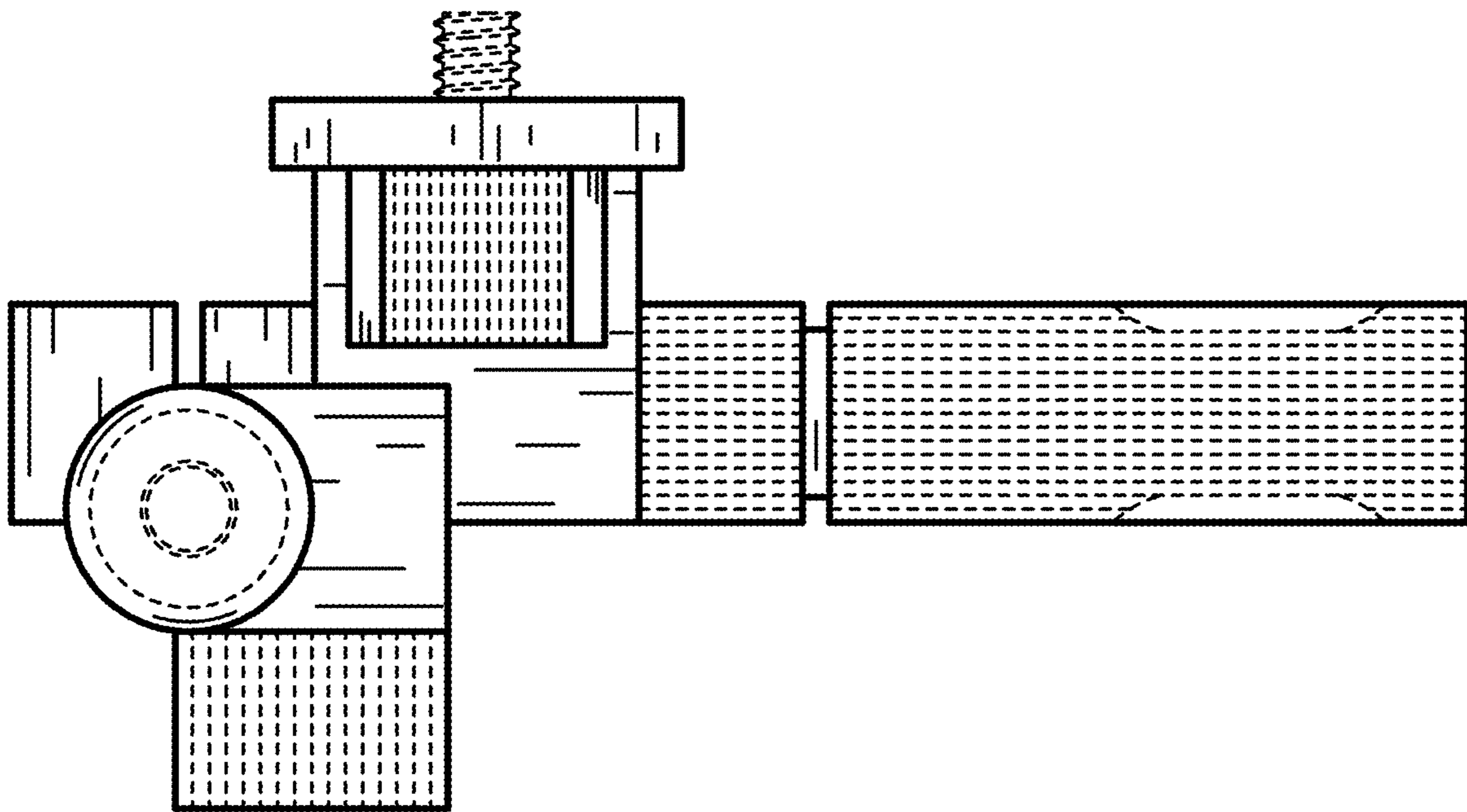


FIG. 2

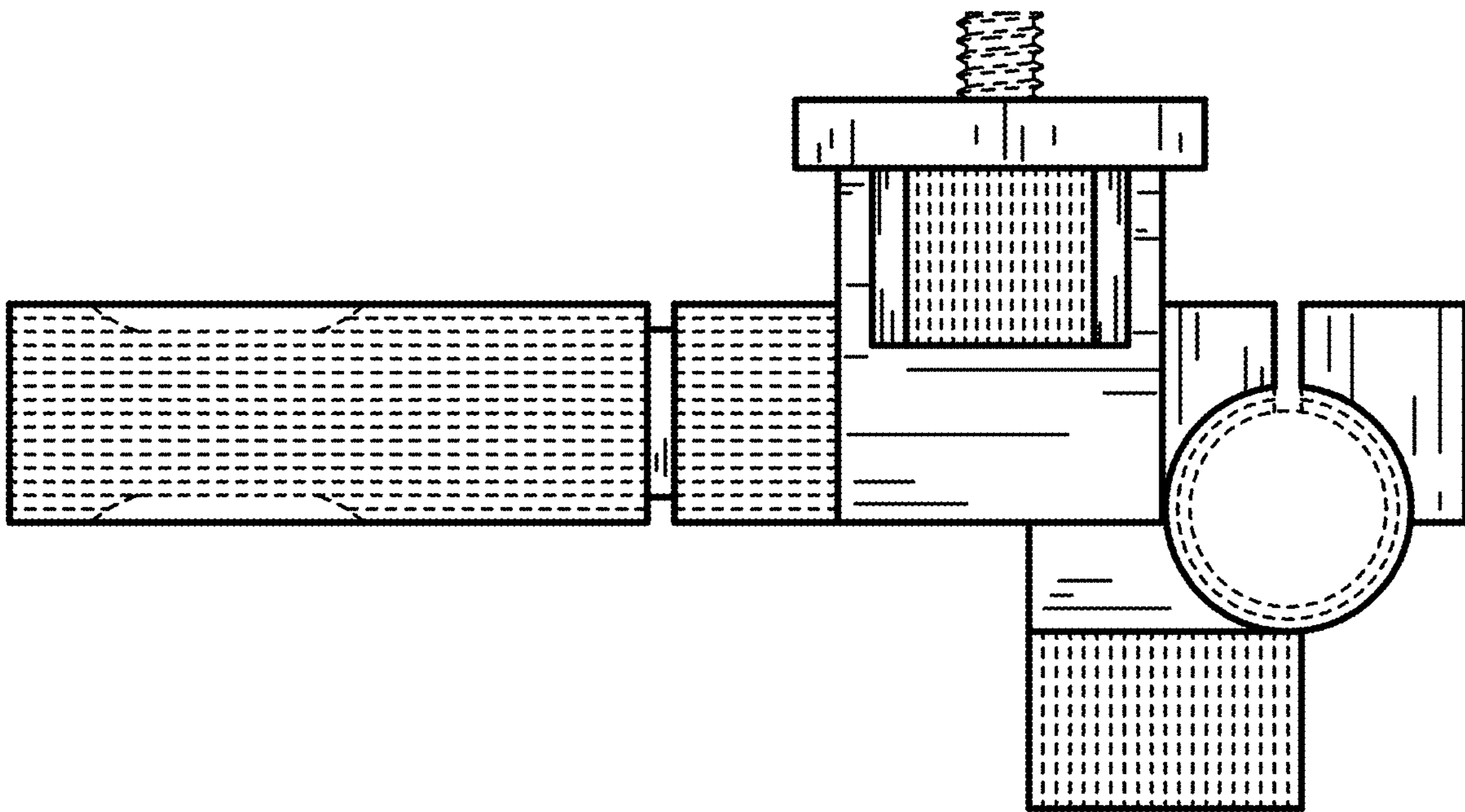


FIG. 3

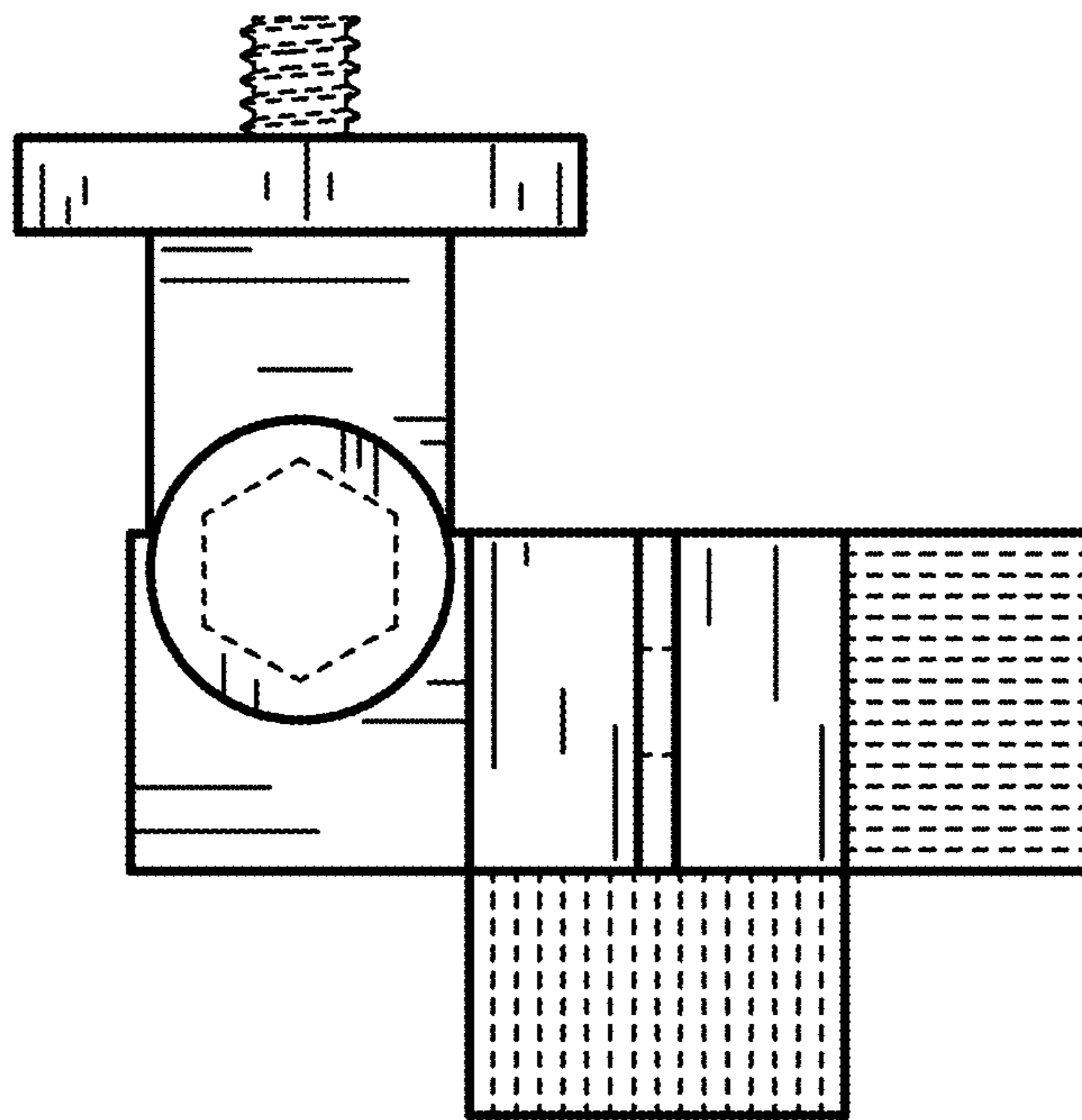


FIG. 4

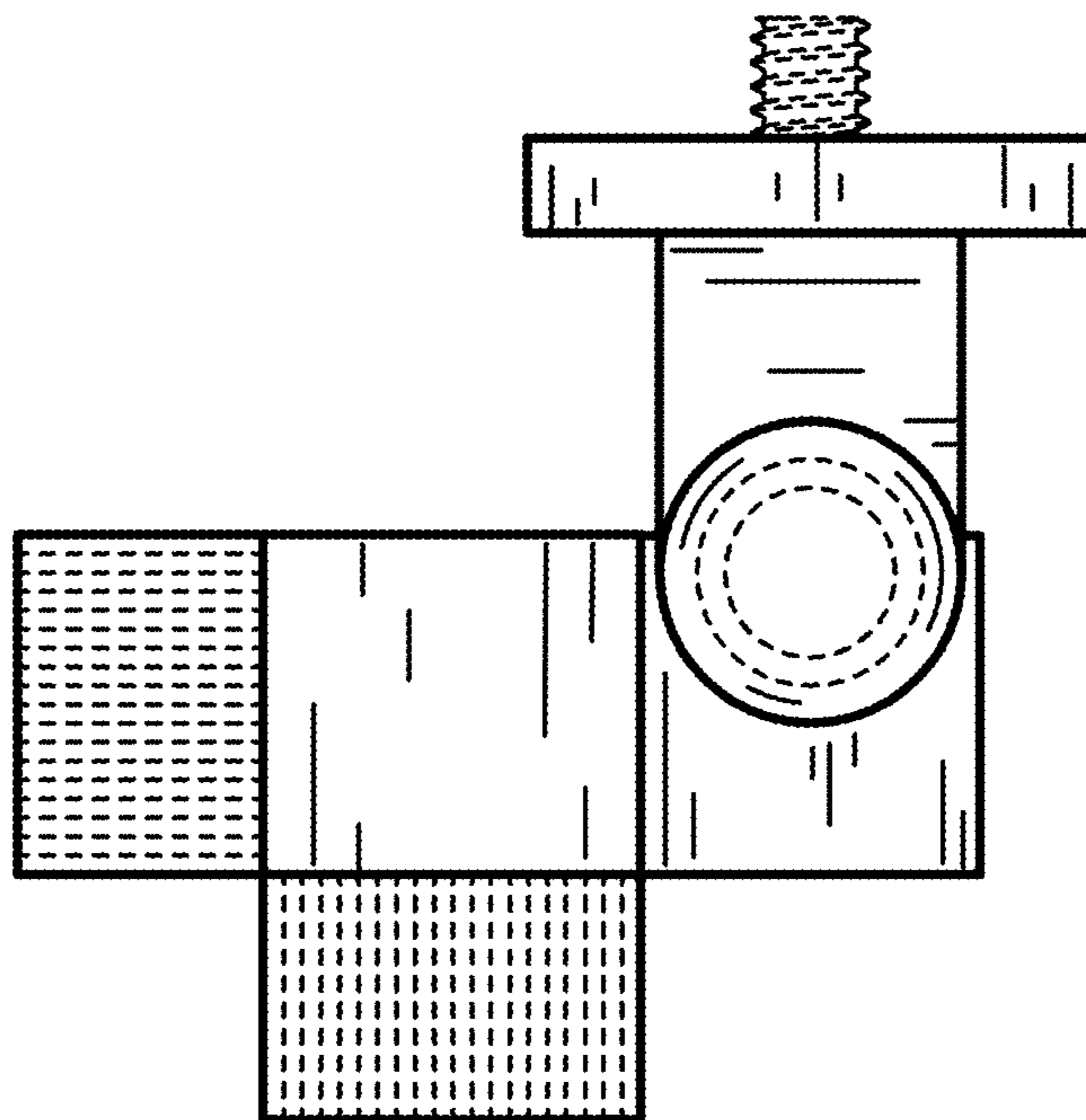


FIG. 5

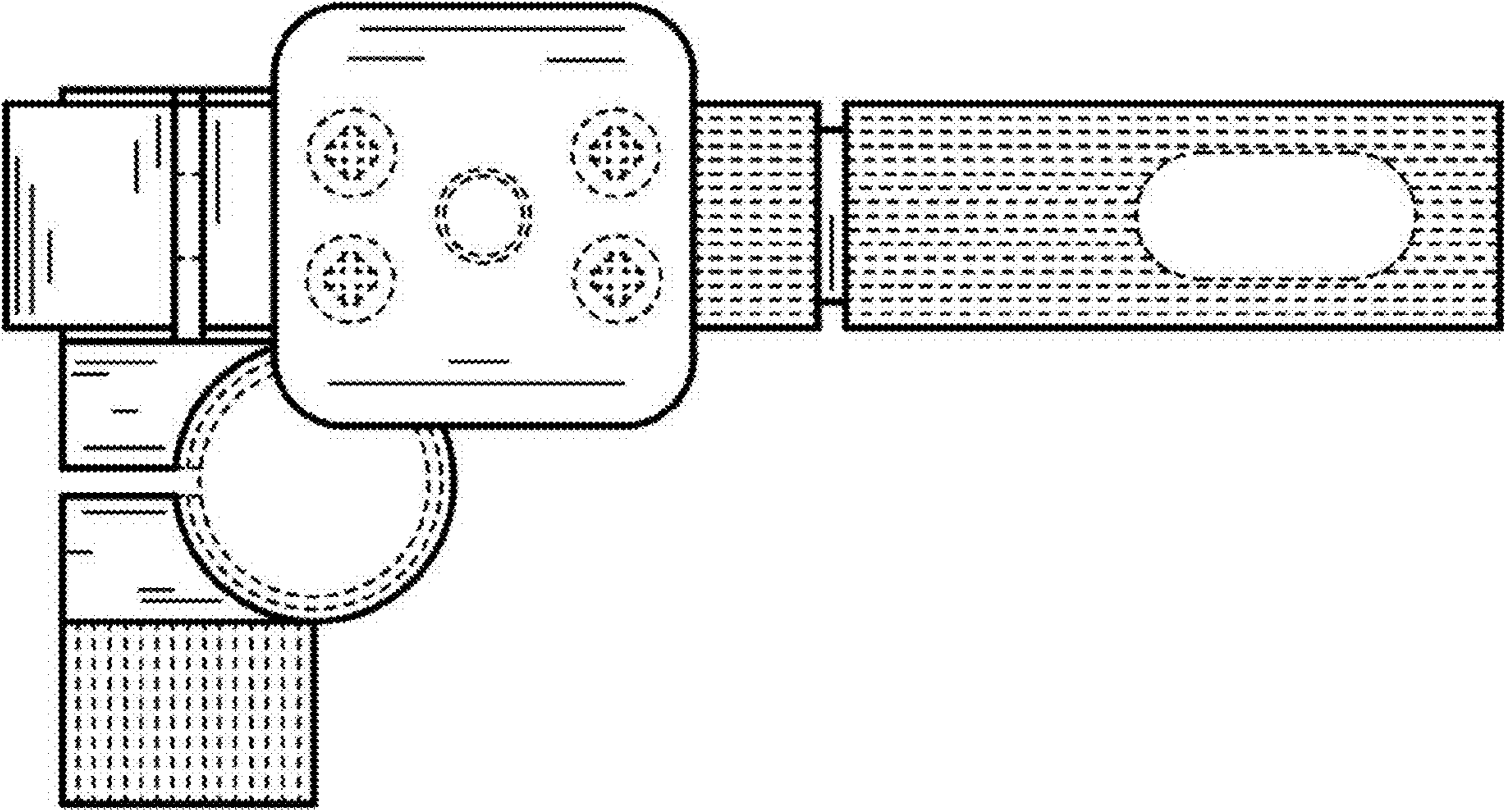


FIG. 6

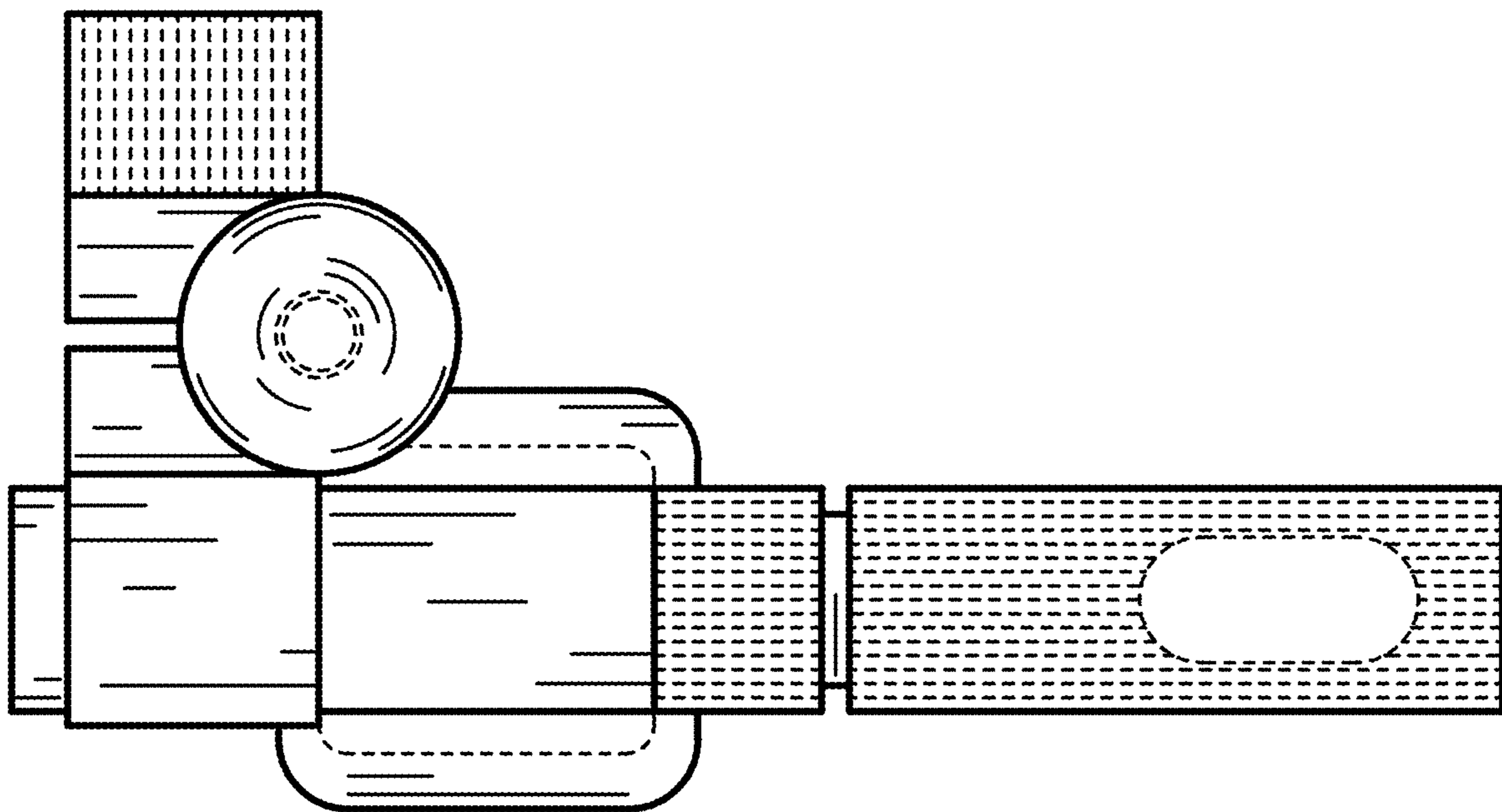


FIG. 7



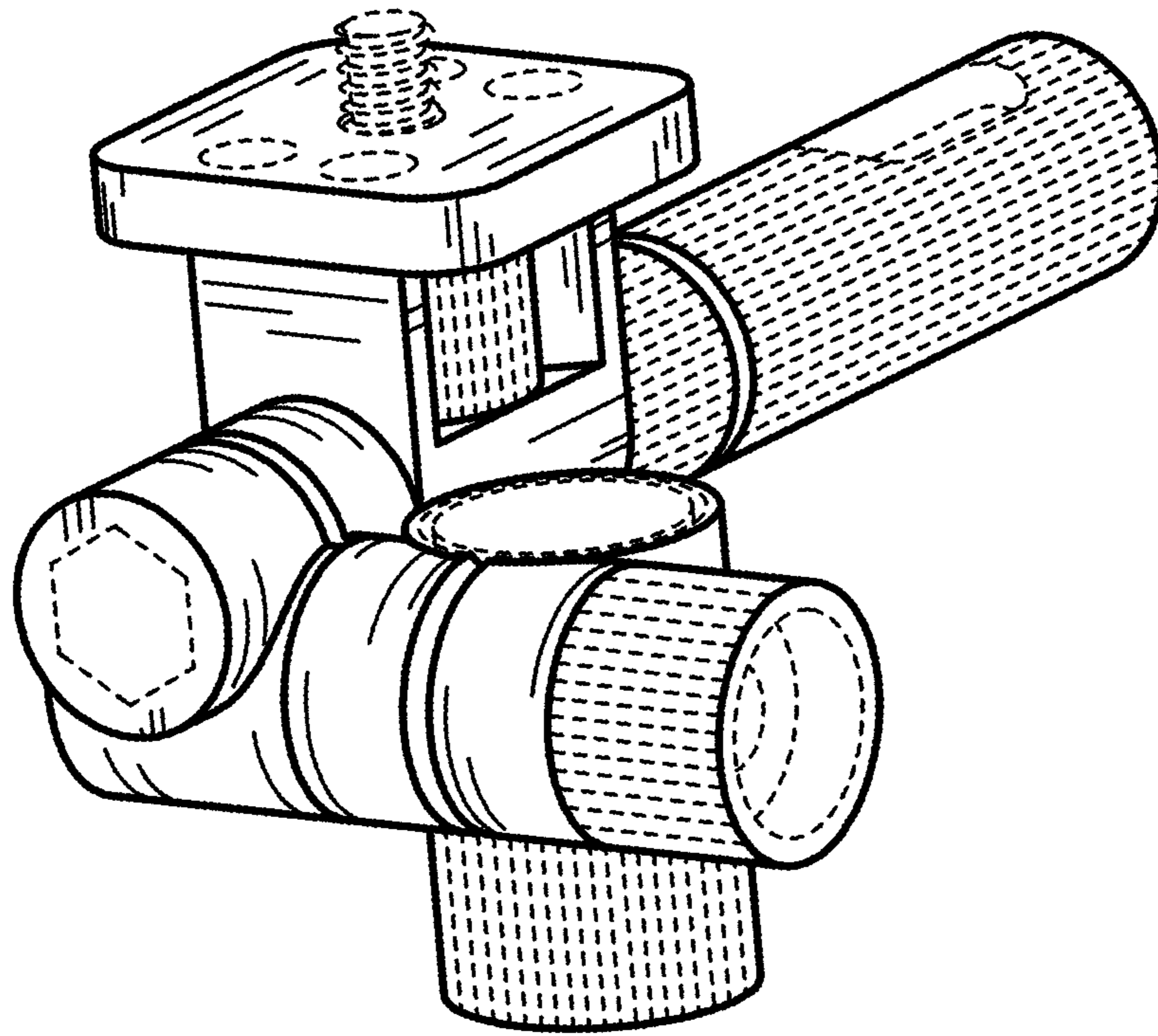


FIG. 8