



US00D896300S

(12) **United States Design Patent**
Long

(10) **Patent No.:** **US D896,300 S**

(45) **Date of Patent:** **** Sep. 15, 2020**

(54) **PROJECTOR**

(71) Applicant: **Changmei Long**, Loudi (CN)

(72) Inventor: **Changmei Long**, Loudi (CN)

(**) Term: **15 Years**

(21) Appl. No.: **29/690,082**

(22) Filed: **May 6, 2019**

(51) **LOC (12) Cl.** **16-02**

(52) **U.S. Cl.**

USPC **D16/230**

(58) **Field of Classification Search**

USPC D16/221, 225, 230–231, 234; D21/514;
353/115, 119, 122

CPC G03B 21/145; G03B 21/14; G03B 21/001;
G03B 21/003; G03B 21/12; G03B 21/00;
G03B 21/16

See application file for complete search history.

(56) **References Cited**

U.S. PATENT DOCUMENTS

D831,727 S * 10/2018 Xu D16/225

D831,728 S * 10/2018 Xu D16/225

D850,516 S * 6/2019 Zhang D16/230

D879,182 S * 3/2020 Deng D16/230

* cited by examiner

Primary Examiner — Wan Laymon

(57) **CLAIM**

The ornamental design for a projector, as shown and described.

DESCRIPTION

FIG. 1 is a perspective view of a projector showing my new design;

FIG. 2 is another perspective view thereof;

FIG. 3 is a front elevational view thereof;

FIG. 4 is a rear elevational view thereof;

FIG. 5 is a left side elevational view thereof;

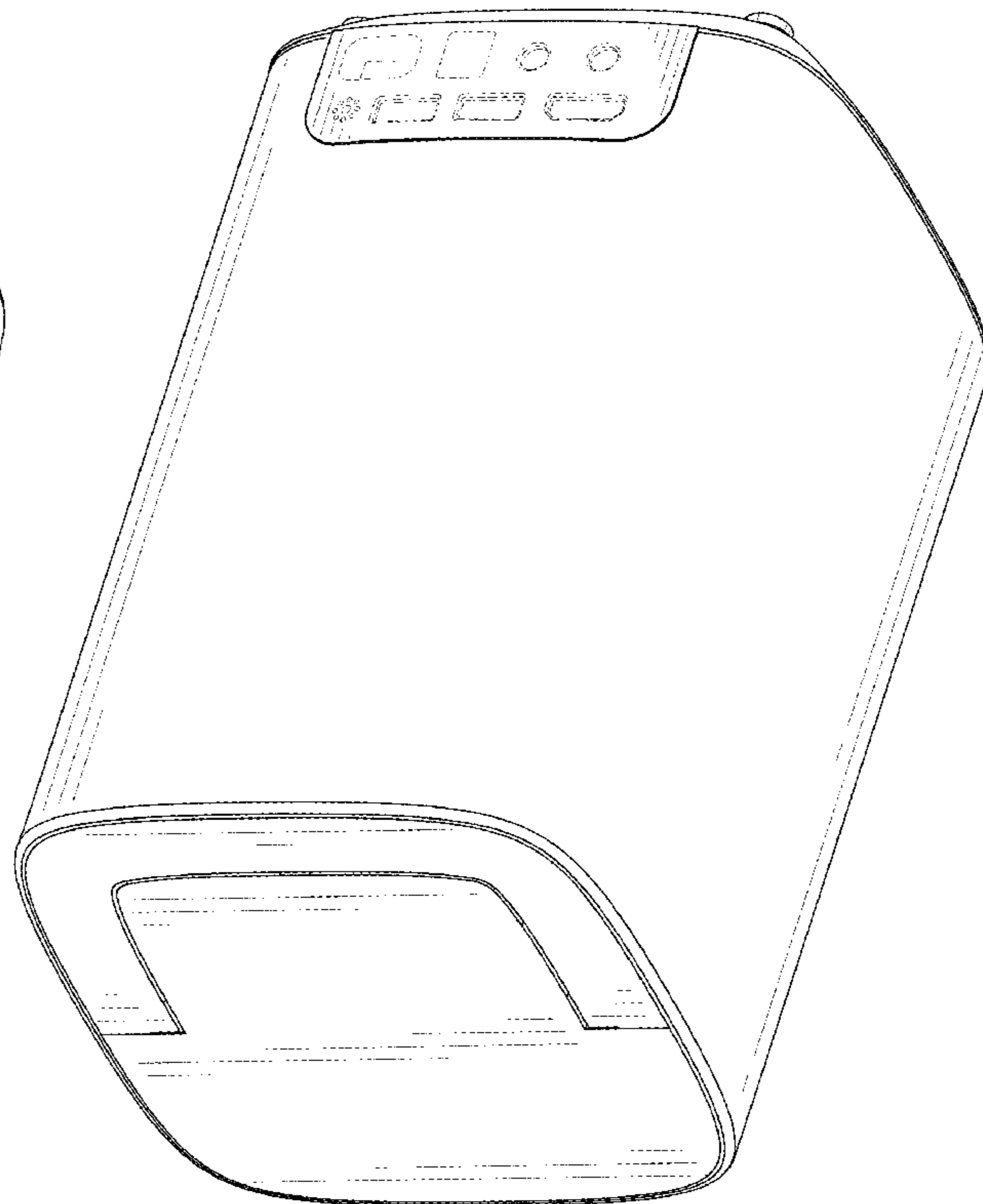
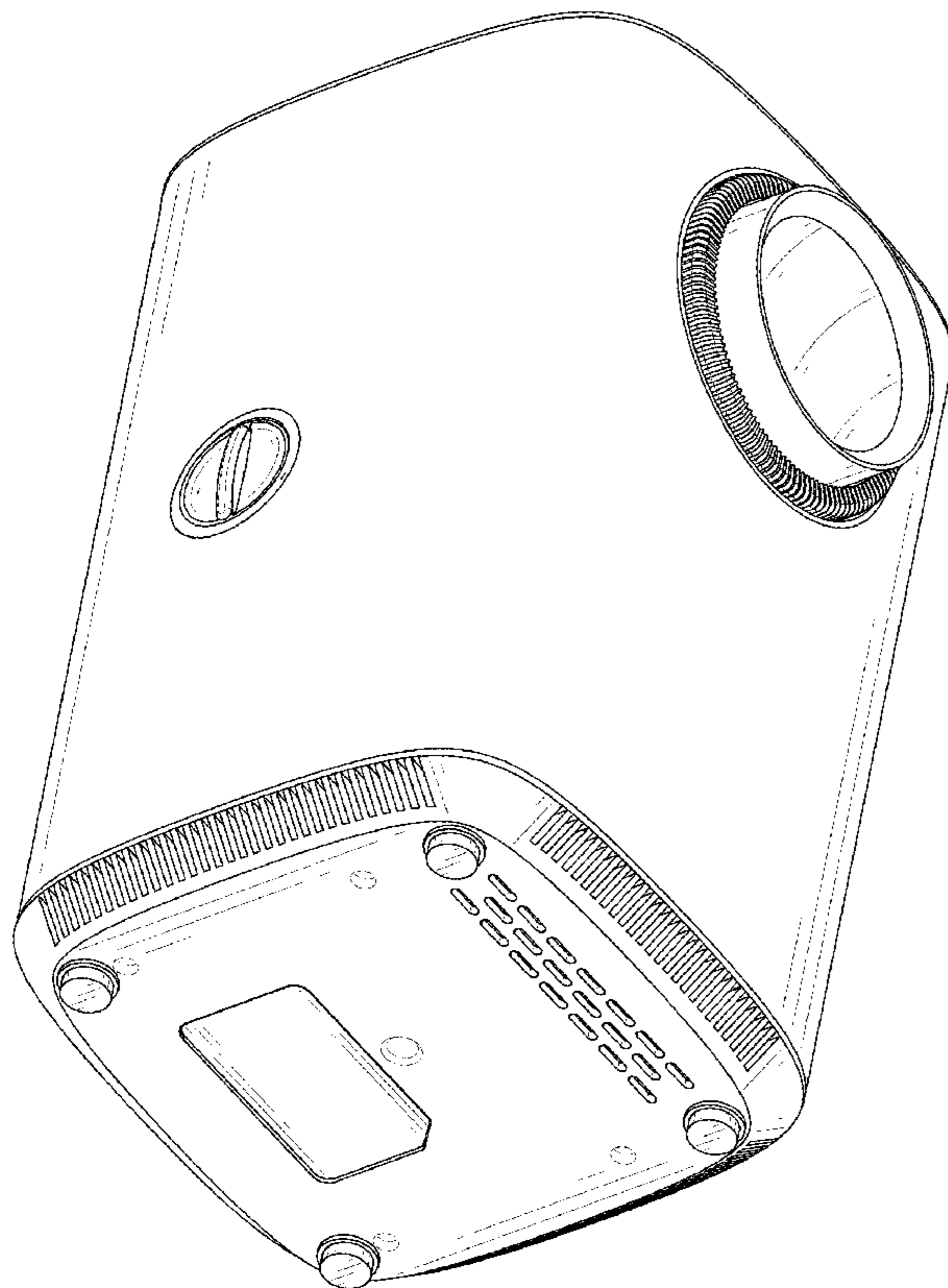
FIG. 6 is a right side elevational view thereof;

FIG. 7 is a top plan view thereof; and,

FIG. 8 is a bottom plan view thereof.

The broken lines in the drawings are for the purpose of illustrating portions of the projector that form no part of the claimed design.

1 Claim, 8 Drawing Sheets



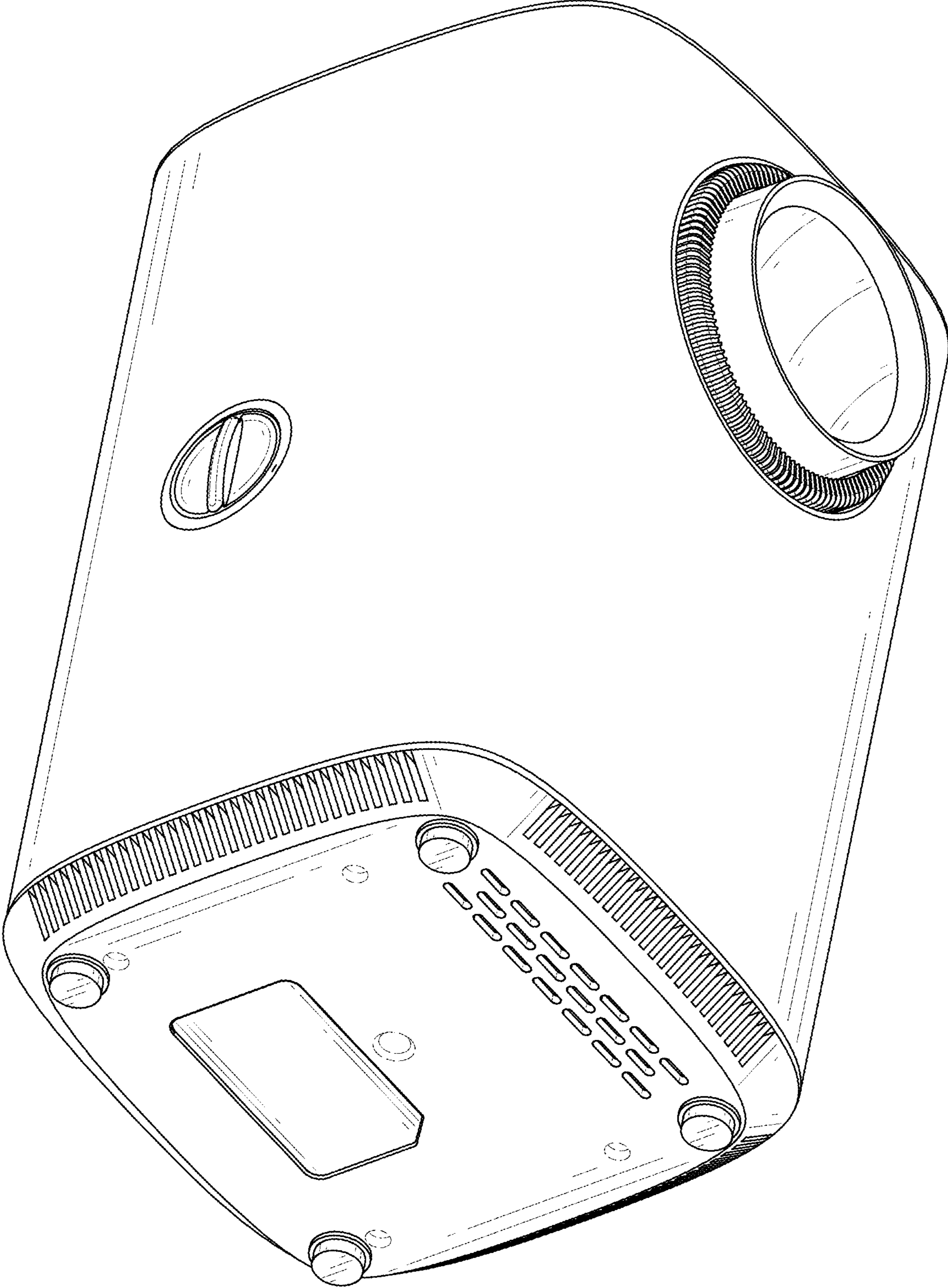


FIG. 1

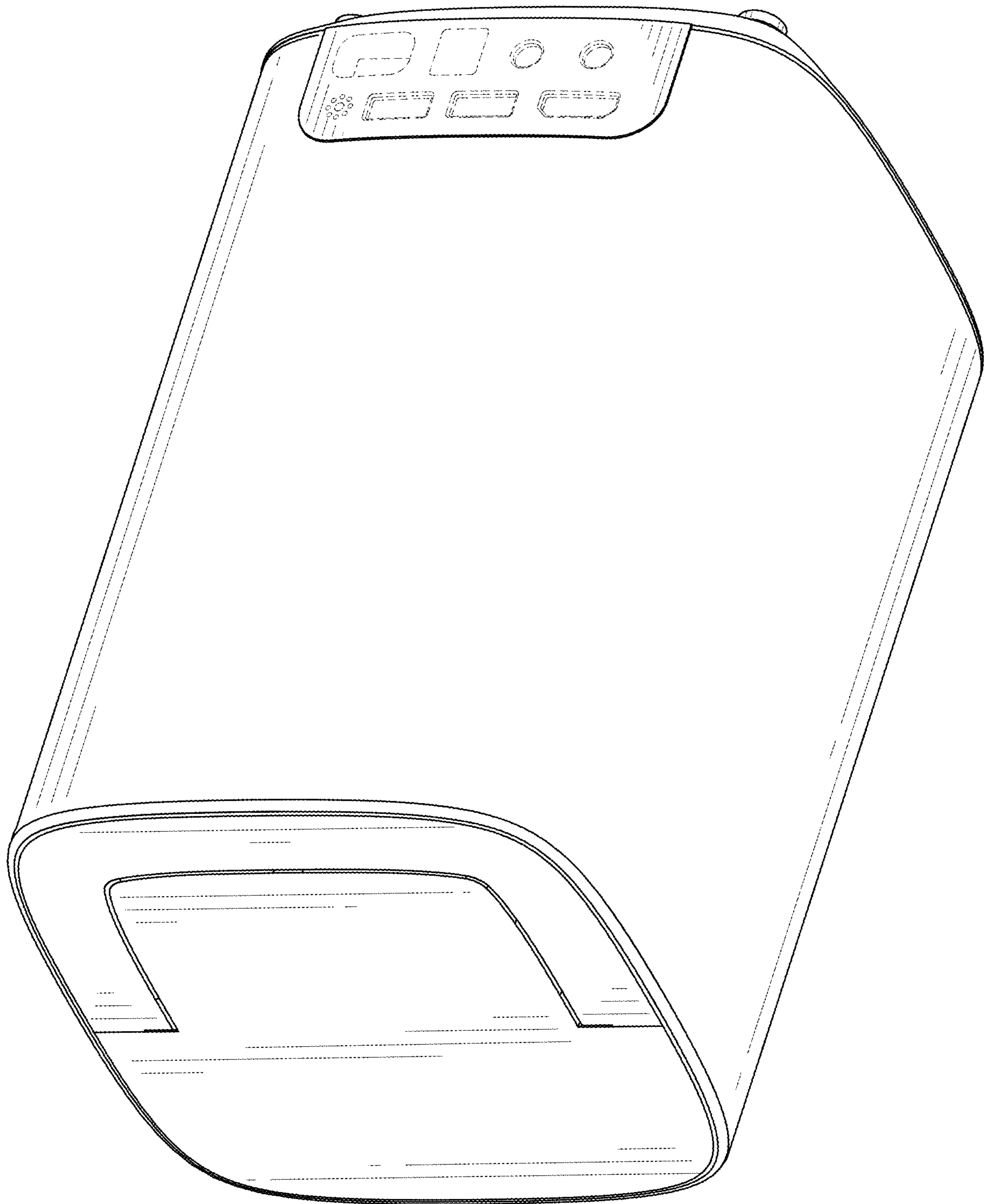


FIG. 2

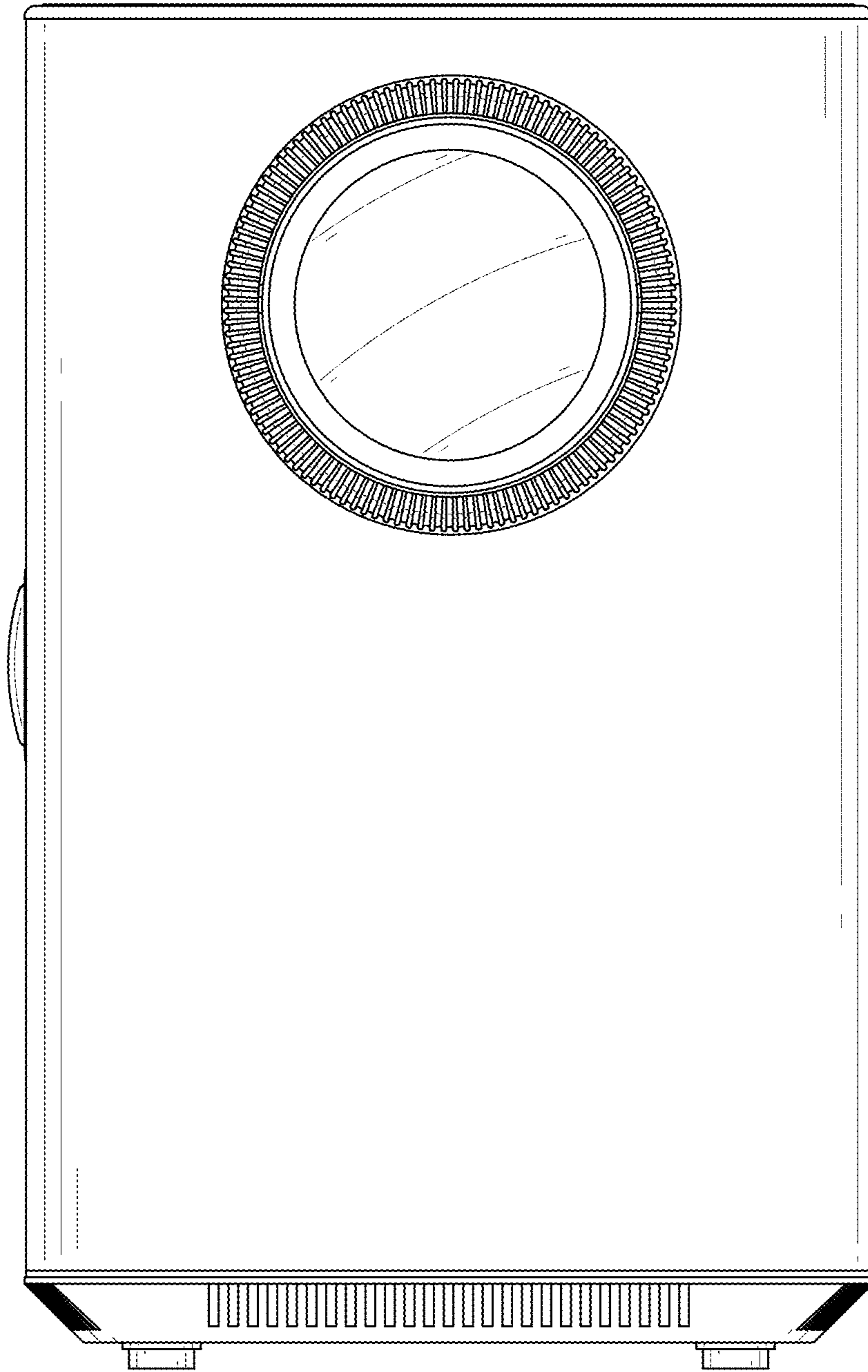


FIG. 3

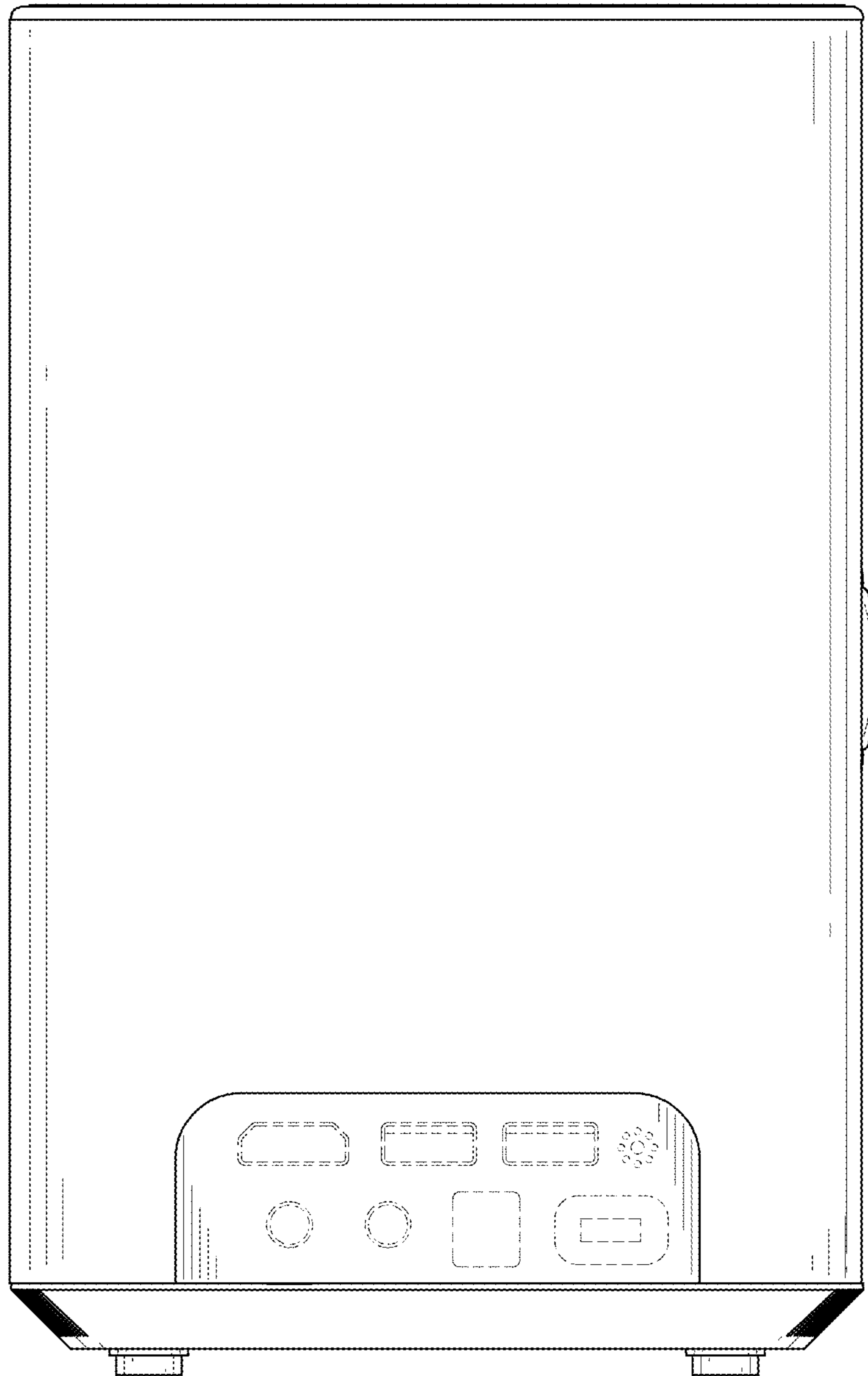


FIG. 4

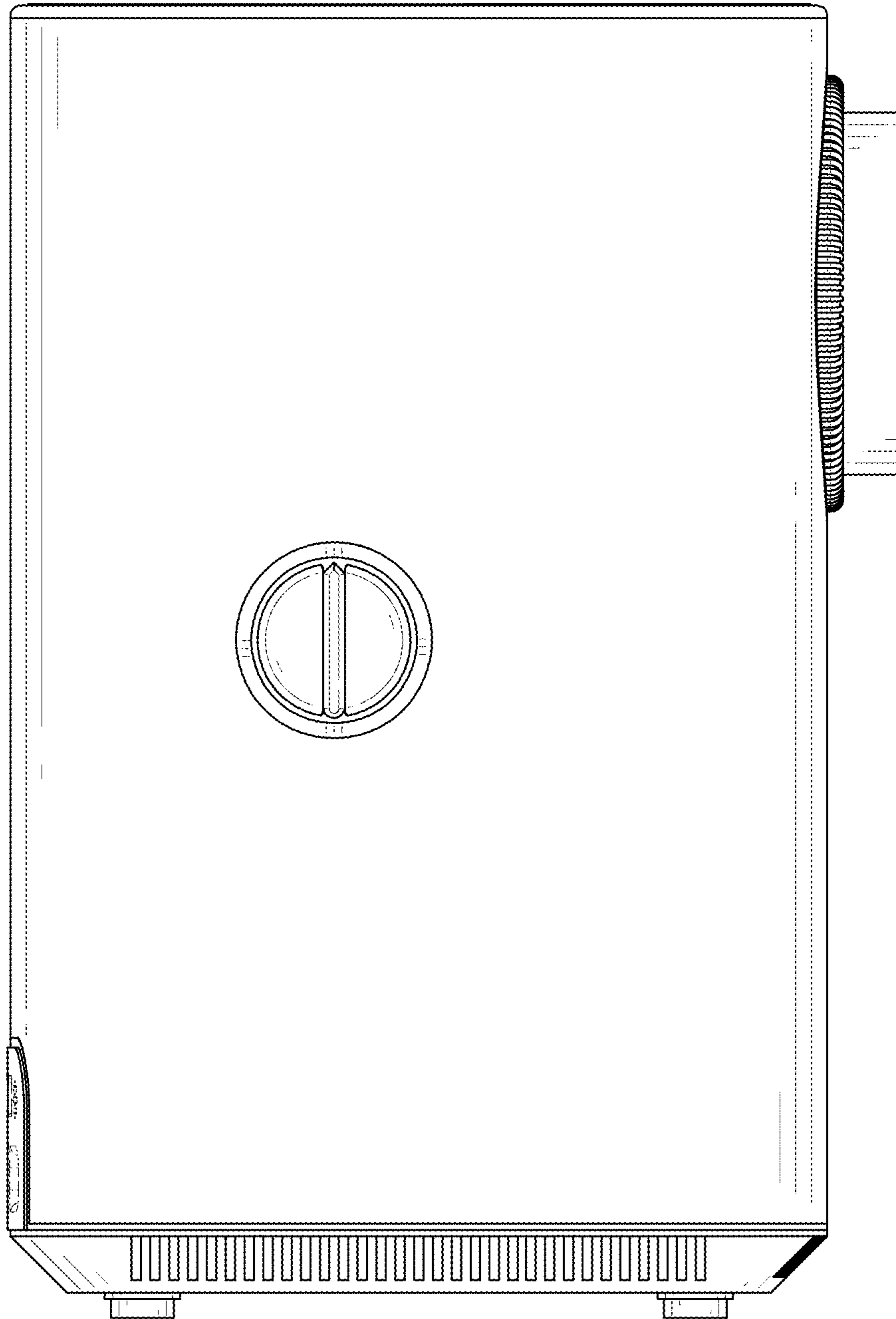


FIG. 5

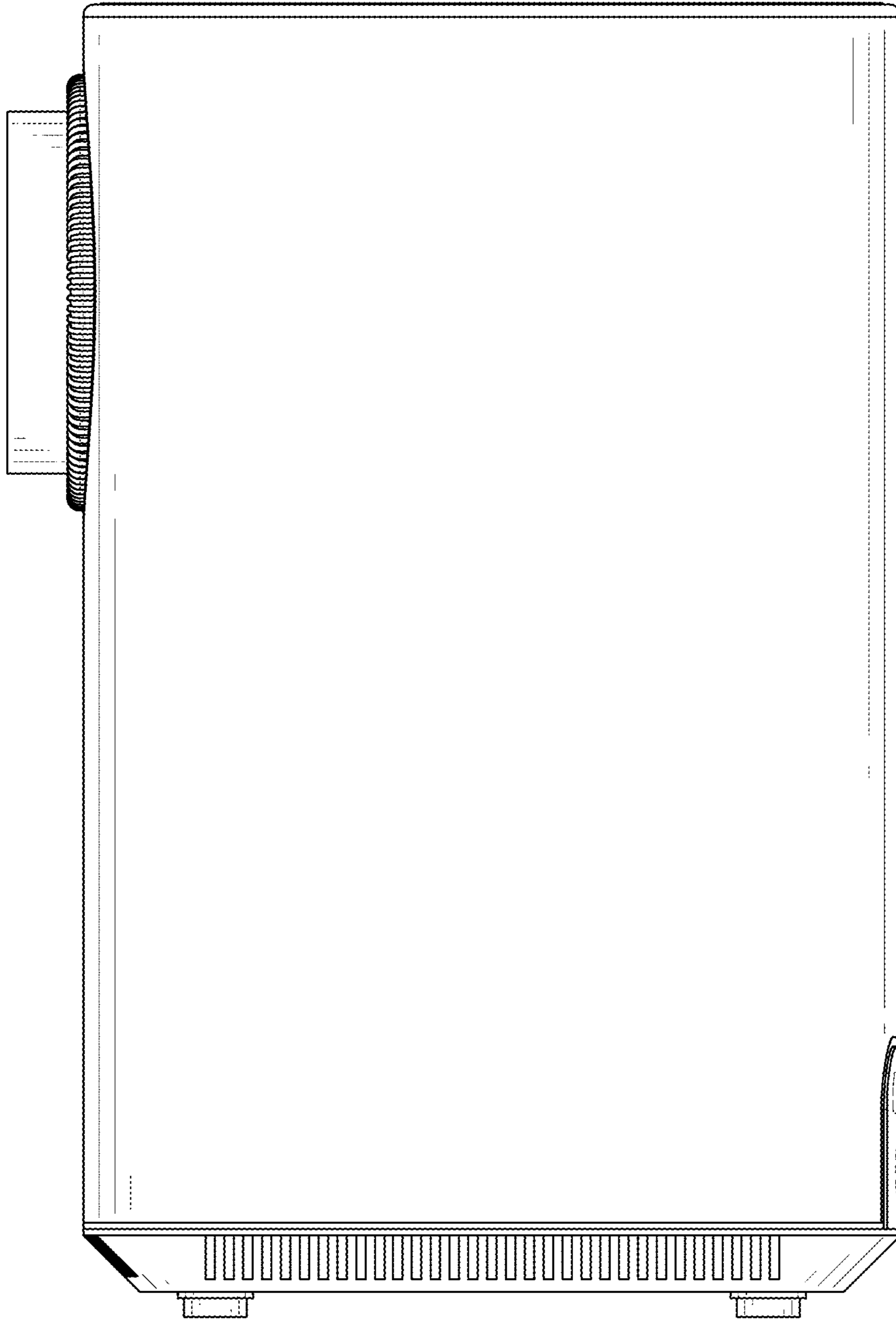


FIG. 6

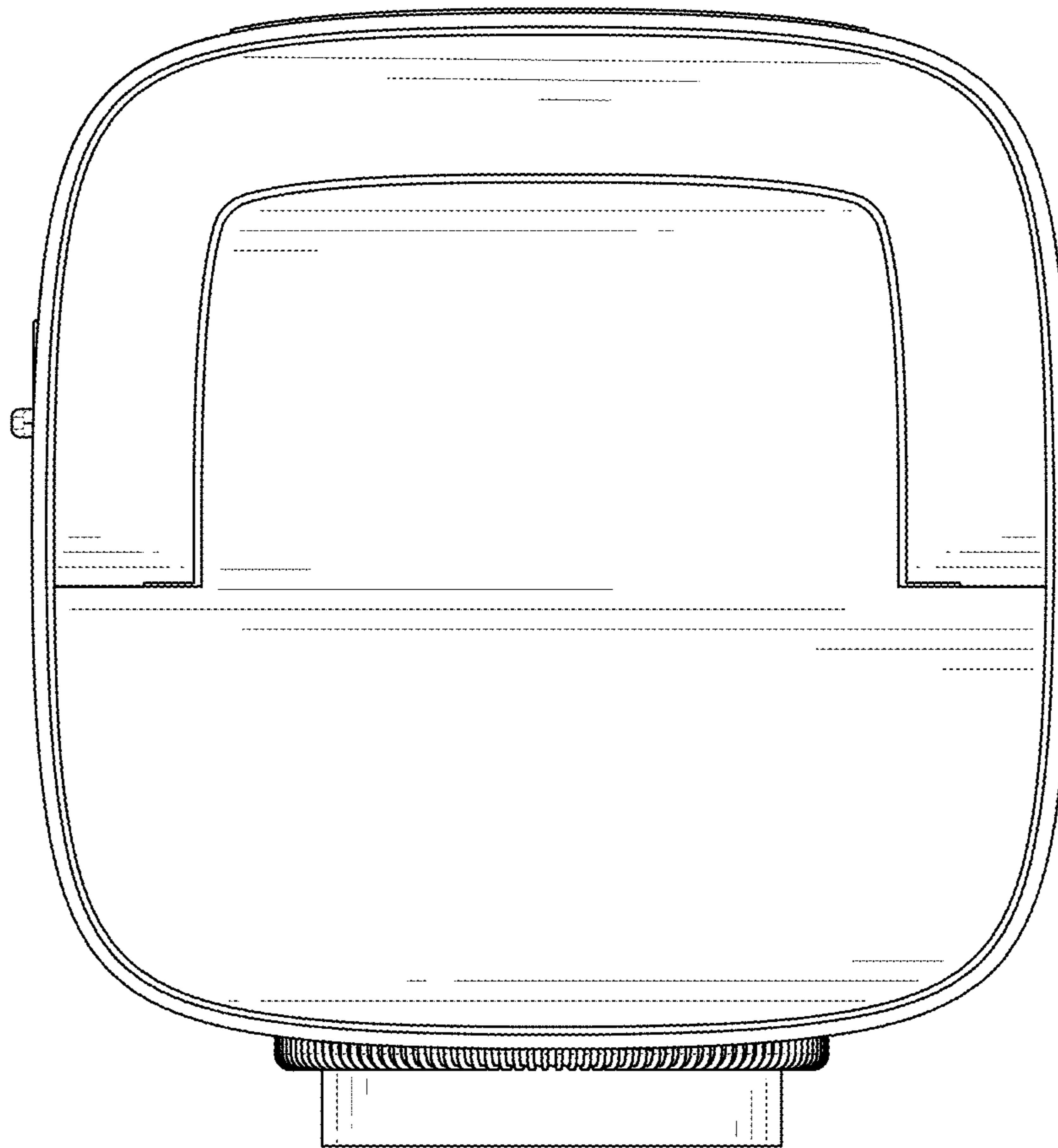


FIG. 7

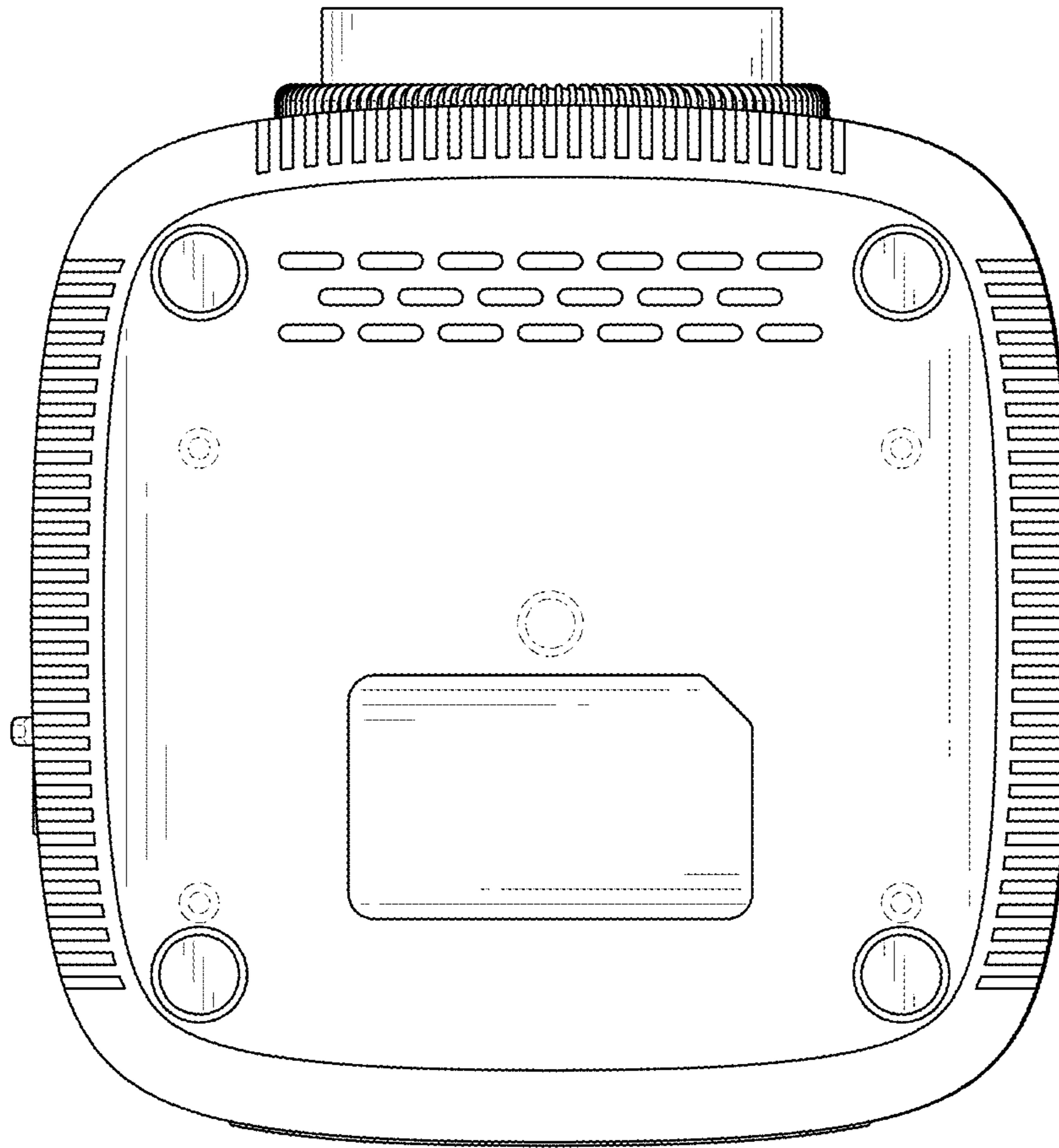


FIG. 8