

US00D896297S

(12) **United States Design Patent** (10) **Patent No.:** **US D896,297 S**  
**Park et al.** (45) **Date of Patent:** **\*\* Sep. 15, 2020**

(54) **CAMERA**

(71) Applicant: **Hanwha Techwin Co., Ltd.**,  
Seongnam-si (KR)  
(72) Inventors: **Ho Jin Park**, Seongnam-si (KR); **Mun Jun Park**, Seongnam-si (KR)  
(73) Assignee: **HANWHA TECHWIN CO., LTD.**,  
Seongnam-si (KR)

(\*\*) Term: **15 Years**

(21) Appl. No.: **29/675,155**

(22) Filed: **Dec. 28, 2018**

(30) **Foreign Application Priority Data**

Jul. 24, 2018 (KR) ..... 30-2018-0034186

(51) **LOC (12) Cl.** ..... **16-01**

(52) **U.S. Cl.**  
USPC ..... **D16/203**

(58) **Field of Classification Search**  
USPC ..... D3/210, 215, 207-209; D8/356, 357;  
D10/31, 104.1, 50, 65, 74, 70, 118.2, 66;  
D16/200-220, 131, 132, 237, 242, 239,  
D16/250, 235, 130, 134, 136, 238;  
D14/417, 138 C, 240, 248, 203.1, 203.3,  
D14/203.7, 218, 207, 440, 402, 454, 407,  
D14/408, 480.3, 480.1, 483; D24/138  
CPC . G02B 7/02; G02B 7/021; G02B 7/04; G02B  
7/14; G02B 7/003; G02B 7/008; G02B  
13/06; G03B 17/00; G03B 17/02; G03B  
17/04; G03B 17/14; G03B 17/08; G03B  
17/56; G03B 15/03; G03B 15/06; H04N  
1/00981; H04N 5/2251; H04N 5/2252;  
H04N 5/2253; H04N 5/2254; H04N  
5/23238; H04N 7/00; H04N 13/239;  
H04N 2101/00; F16M 13/00

See application file for complete search history.

(56) **References Cited**

U.S. PATENT DOCUMENTS

D409,641 S \* 5/1999 Uehara ..... D16/202  
D426,844 S \* 6/2000 Fujii ..... D16/202  
D442,982 S \* 5/2001 Adachi ..... D16/203  
D446,801 S \* 8/2001 Adachi ..... D16/203  
D529,063 S \* 9/2006 Cheng ..... D16/203  
D531,200 S \* 10/2006 Taneno ..... D16/203  
D563,450 S \* 3/2008 Cheng ..... D16/200

(Continued)

FOREIGN PATENT DOCUMENTS

CN 302874319 \* 9/2014  
CN 304081980 \* 3/2017

OTHER PUBLICATIONS

Hanwha Techwin 1080P Zoom Box Camera XNX-6320, published 2020 [online], [retrieved Mar. 14, 2020], Available from Internet, URL: <https://www.affinitechstore.com/hanwha-techwin-1080p-zoom-box-camera-xnz-6320/>.\*

*Primary Examiner* — T Chase Nelson  
*Assistant Examiner* — Mary Claire Ramirez  
(74) *Attorney, Agent, or Firm* — Sughrue Mion, PLLC

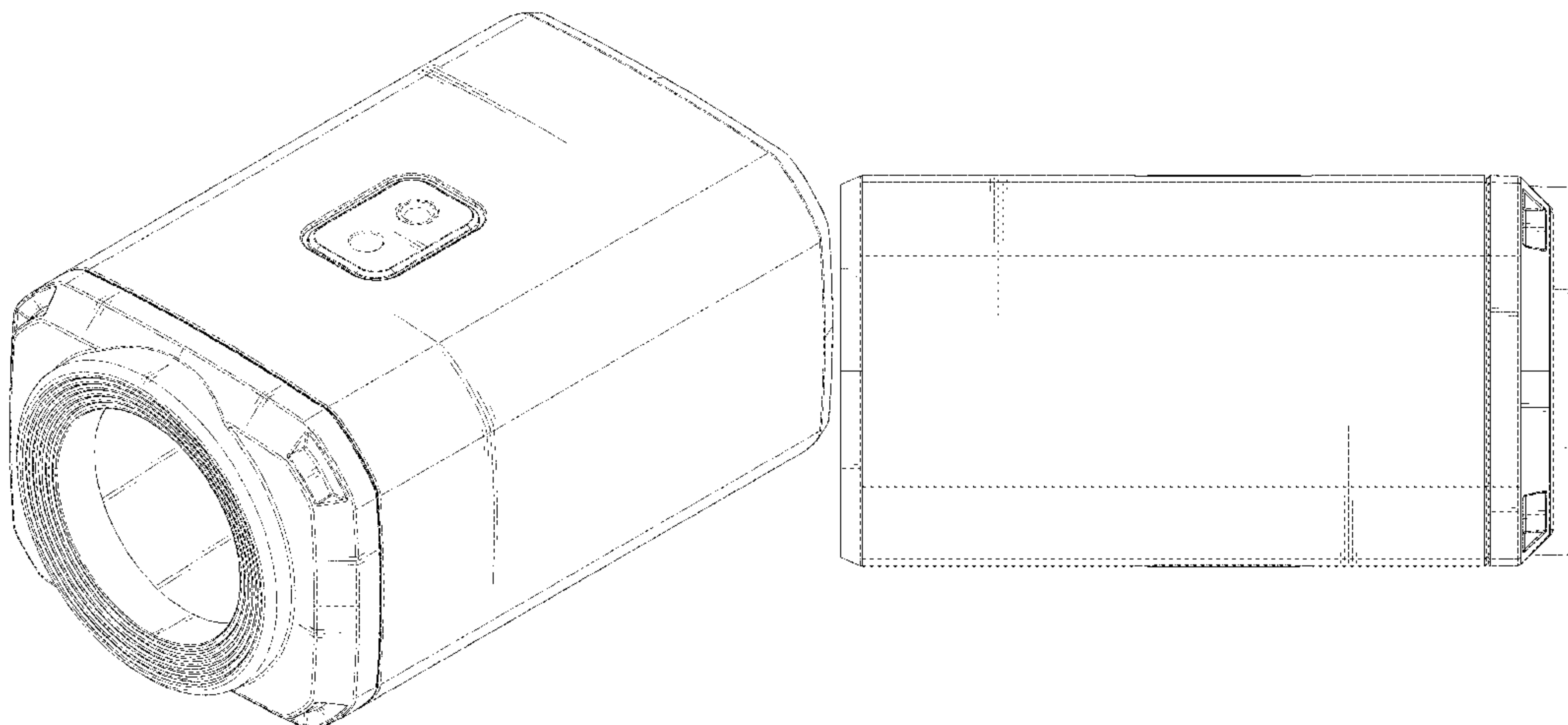
(57) **CLAIM**

The ornamental design for a camera, as shown and described.

**DESCRIPTION**

FIG. 1 is a perspective view of a camera showing the new design;  
FIG. 2 is a front view thereof;  
FIG. 3 is a rear view thereof;  
FIG. 4 is a left side view thereof;  
FIG. 5 is a right side view thereof;  
FIG. 6 is a top plan view thereof; and,  
FIG. 7 is a bottom view thereof.  
The broken lines shown in the drawings depict portions of the camera that form no part of the claimed design.

**1 Claim, 7 Drawing Sheets**



(56)

References Cited

U.S. PATENT DOCUMENTS

D565,073 S *	3/2008	Jeon .....	D16/203	2006/0082680 A1 *	4/2006	Lee .....	H04N 5/2251 348/372
D612,410 S *	3/2010	Deurwaarder .....	D16/203	2010/0151192 A1 *	6/2010	Saito .....	H01L 27/14618 428/137
D613,784 S *	4/2010	Wang .....	D16/203	2011/0123189 A1 *	5/2011	Saito .....	G03B 17/02 396/535
D687,875 S *	8/2013	Sasaki .....	D16/202	2013/0128104 A1 *	5/2013	Nunnink .....	G03B 15/05 348/373
D694,307 S *	11/2013	Isozaki .....	D16/203	2013/0128105 A1 *	5/2013	Nunnink .....	G03B 17/14 348/374
D732,100 S *	6/2015	Jeong .....	D16/203	2014/0212125 A1 *	7/2014	Hsieh .....	G03B 17/14 396/533
D739,888 S *	9/2015	Liang .....	D16/203	2015/0002730 A1 *	1/2015	Shi .....	H04N 5/2251 348/361
D742,953 S *	11/2015	Li .....	D16/202	2017/0207007 A1 *	7/2017	Wang .....	H02G 11/00
D743,472 S *	11/2015	Tanifuji .....	D16/203	2017/0357035 A1 *	12/2017	Nunnink .....	G02B 7/028
D754,230 S *	4/2016	Mori .....	D16/200	2017/0363933 A1 *	12/2017	Lim .....	F16M 13/02
D765,755 S *	9/2016	Pellegrino .....	D16/202	2019/0132954 A1 *	5/2019	Kim .....	G02B 7/02
D826,305 S *	8/2018	Ahman .....	D16/203	2019/0137730 A1 *	5/2019	Fujiwara .....	G02B 7/102
D839,944 S *	2/2019	Petty .....	D16/218	2019/0361194 A1 *	11/2019	Nunnink .....	G02B 26/005
D868,135 S *	11/2019	Garre .....	D16/219	2020/0076993 A1 *	3/2020	Shingai .....	G03B 17/55
D870,796 S *	12/2019	Lin .....	D16/219				
D874,531 S *	2/2020	Chen .....	D16/202				
D875,157 S *	2/2020	Laurino .....	D16/203				
D876,414 S *	2/2020	Han .....	D14/248				
D885,469 S *	5/2020	Chen .....	D16/239				
2005/0099520 A1 *	5/2005	Cheng .....	H04N 5/2254 348/335				

\* cited by examiner

FIG. 1

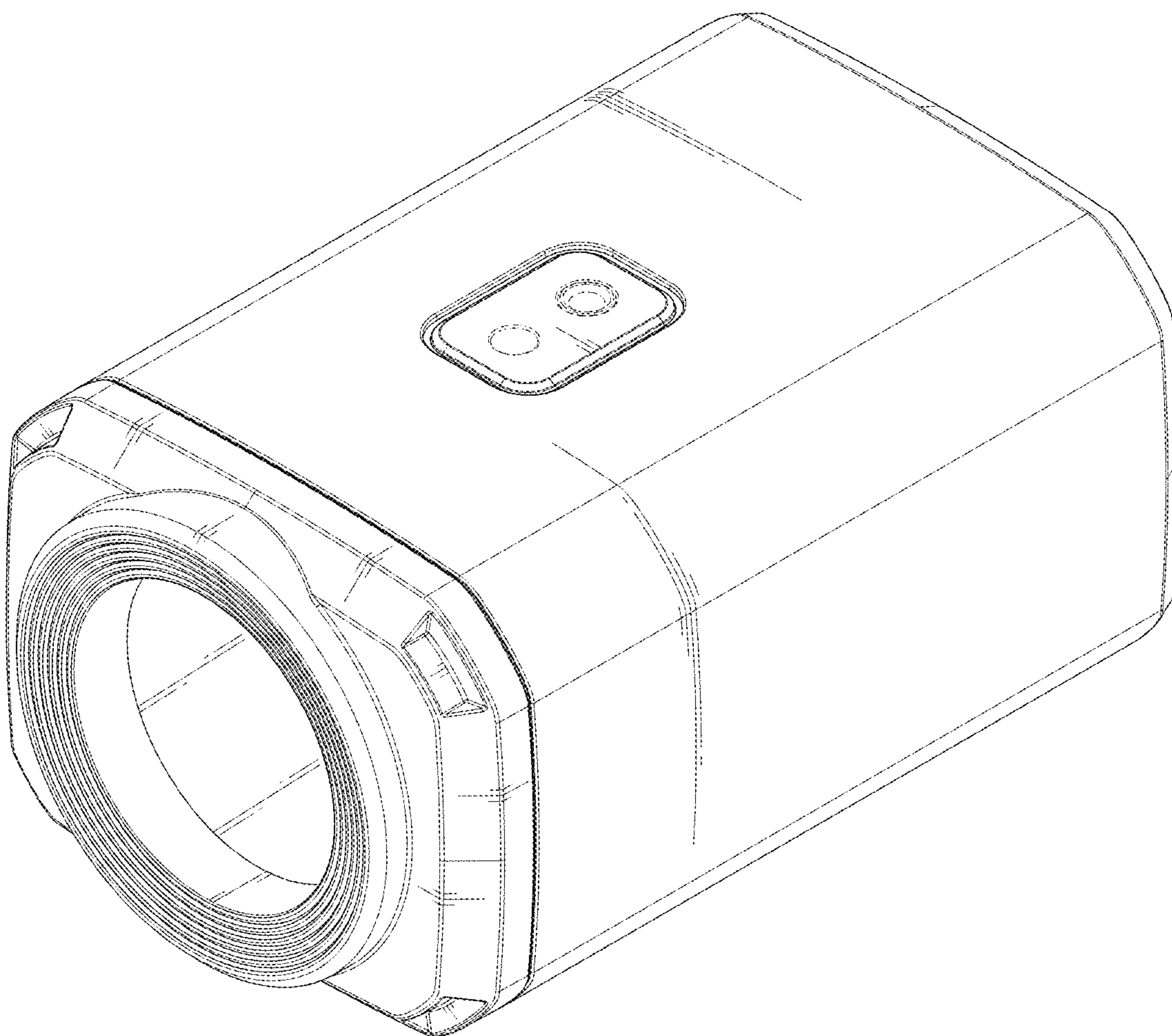




FIG. 2

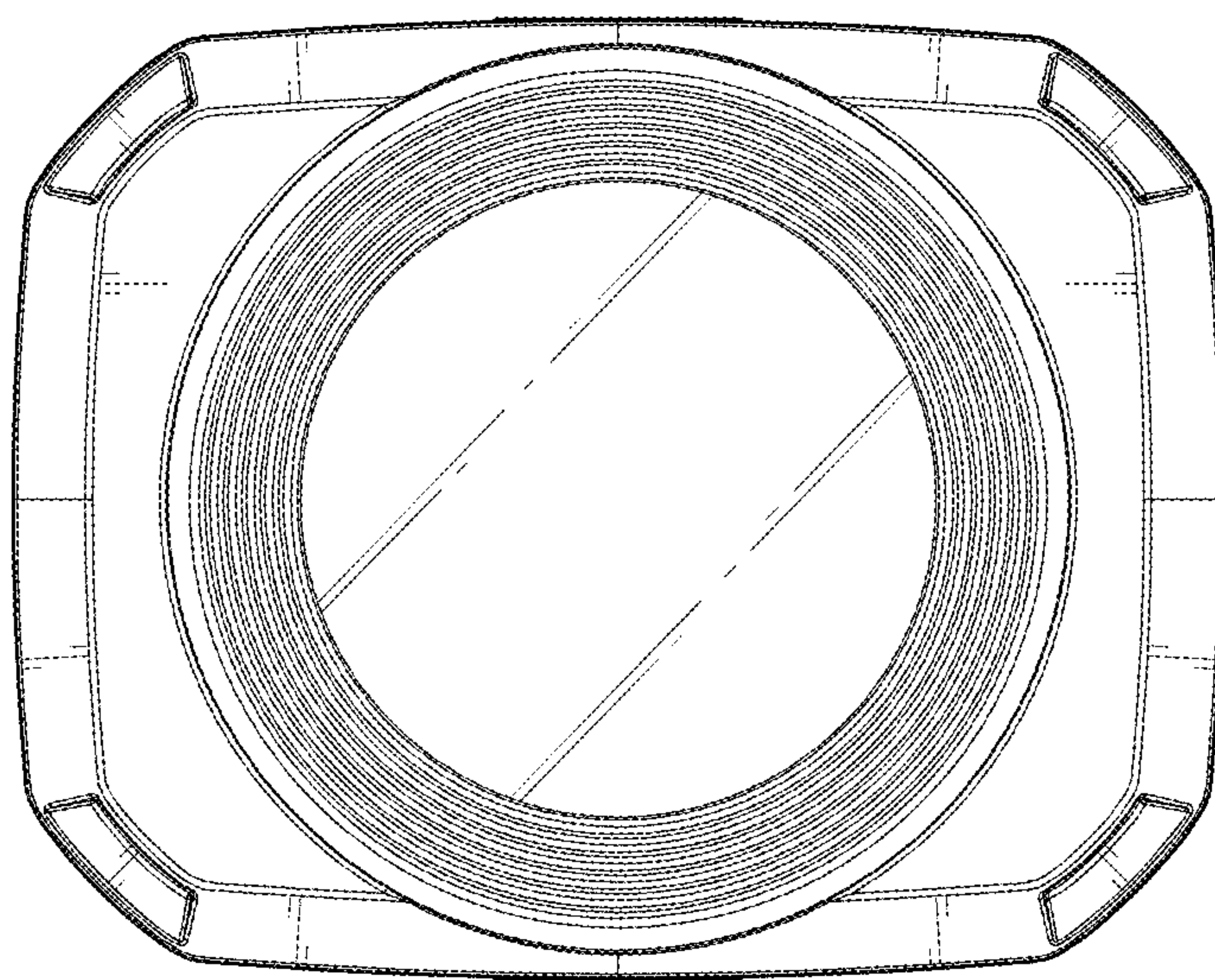


FIG. 3

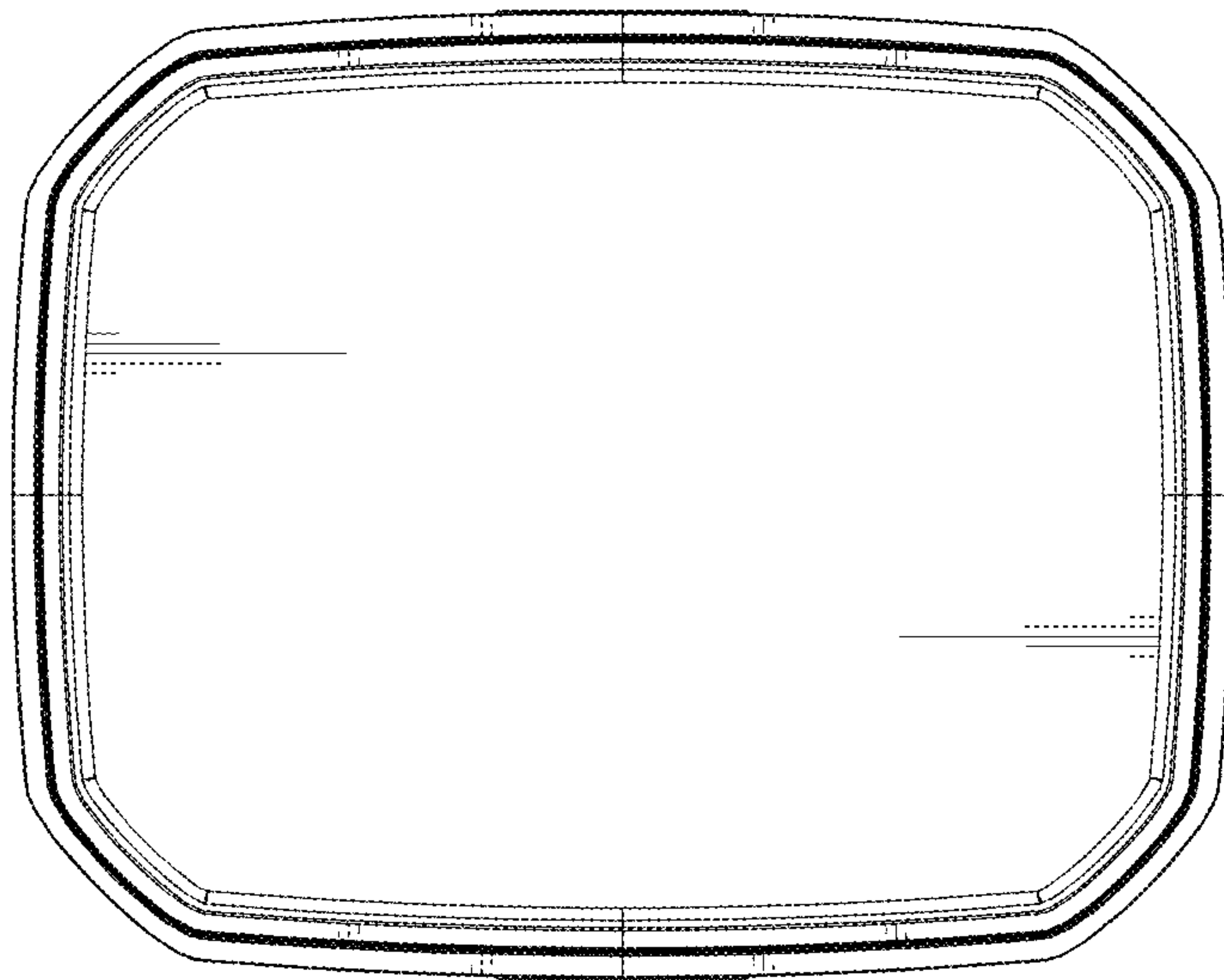


FIG. 4

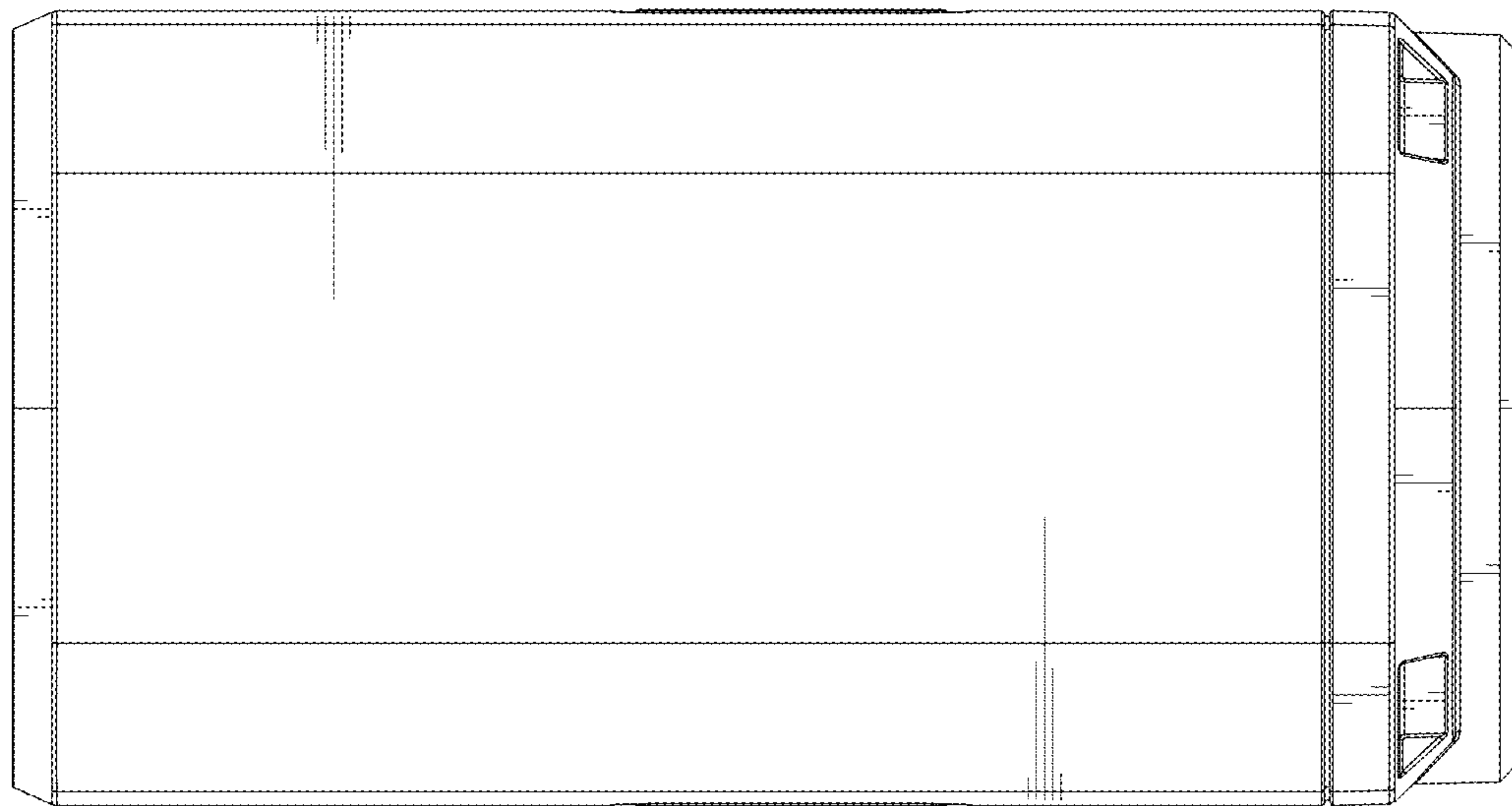


FIG. 5



FIG. 6

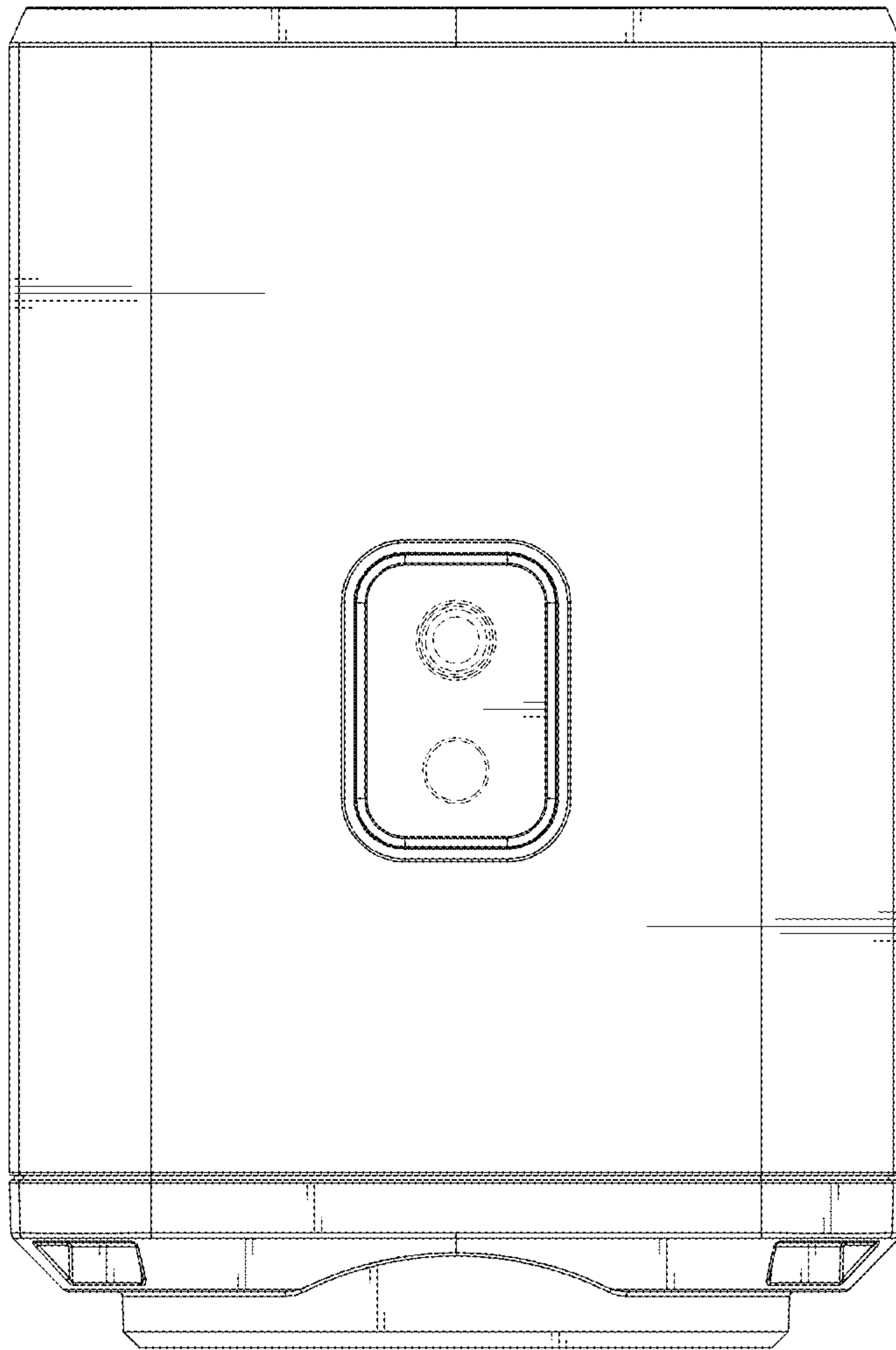




FIG. 7

