



US00D896296S

(12) **United States Design Patent**
Imamizu et al.

(10) **Patent No.:** **US D896,296 S**

(45) **Date of Patent:** **** Sep. 15, 2020**

(54) **DIGITAL CAMERA**

(71) Applicant: **Nikon Corporation**, Tokyo (JP)

(72) Inventors: **Makoto Imamizu**, Yokohama (JP);
Kenji Baba, Tokyo (JP)

(73) Assignee: **Nikon Corporation**, Tokyo (JP)

(**) Term: **15 Years**

(21) Appl. No.: **29/676,393**

(22) Filed: **Jan. 10, 2019**

(30) **Foreign Application Priority Data**

Jul. 13, 2018 (JP) 2018-015565

(51) **LOC (12) Cl.** **16-01**

(52) **U.S. Cl.**
USPC **D16/202; D16/217**

(58) **Field of Classification Search**
USPC D16/200, 202–206, 208, 218, 219;
348/373–376; 396/535, 539–541
CPC G03B 15/03; G03B 17/02; G03B 17/04;
G03B 17/56; G03B 19/04; H04N 5/2251;
H04N 5/2252; H04N 5/2253; H04N
5/2254; H04N 2101/00
See application file for complete search history.

(56) **References Cited**

U.S. PATENT DOCUMENTS

5,852,752 A * 12/1998 Nakanishi G03B 15/05
396/176
D542,321 S * 5/2007 Takahashi D16/202
D649,572 S 11/2011 Lee
D662,531 S 6/2012 Nakamura
D681,090 S * 4/2013 Tainaka D16/200
D701,550 S * 3/2014 Umehara D16/202

D720,787 S * 1/2015 Tainaka D16/202
D720,793 S * 1/2015 Tajima D16/219
D732,099 S * 6/2015 Nagaoka et al. D16/202
D733,782 S * 7/2015 Sakai D16/202
D738,418 S * 9/2015 Imai D16/202
D746,351 S * 12/2015 Sogabe D16/202
D789,434 S * 6/2017 Abe et al. D16/202
D873,880 S * 1/2020 Imai D16/202

FOREIGN PATENT DOCUMENTS

JP D1132034 S 1/2002
JP D1241627 S 6/2005
JP D1496302 S 4/2017

* cited by examiner

Primary Examiner — Ramzi S Almatrahi

(74) *Attorney, Agent, or Firm* — Wolf, Greenfield & Sacks, P.C.

(57) **CLAIM**

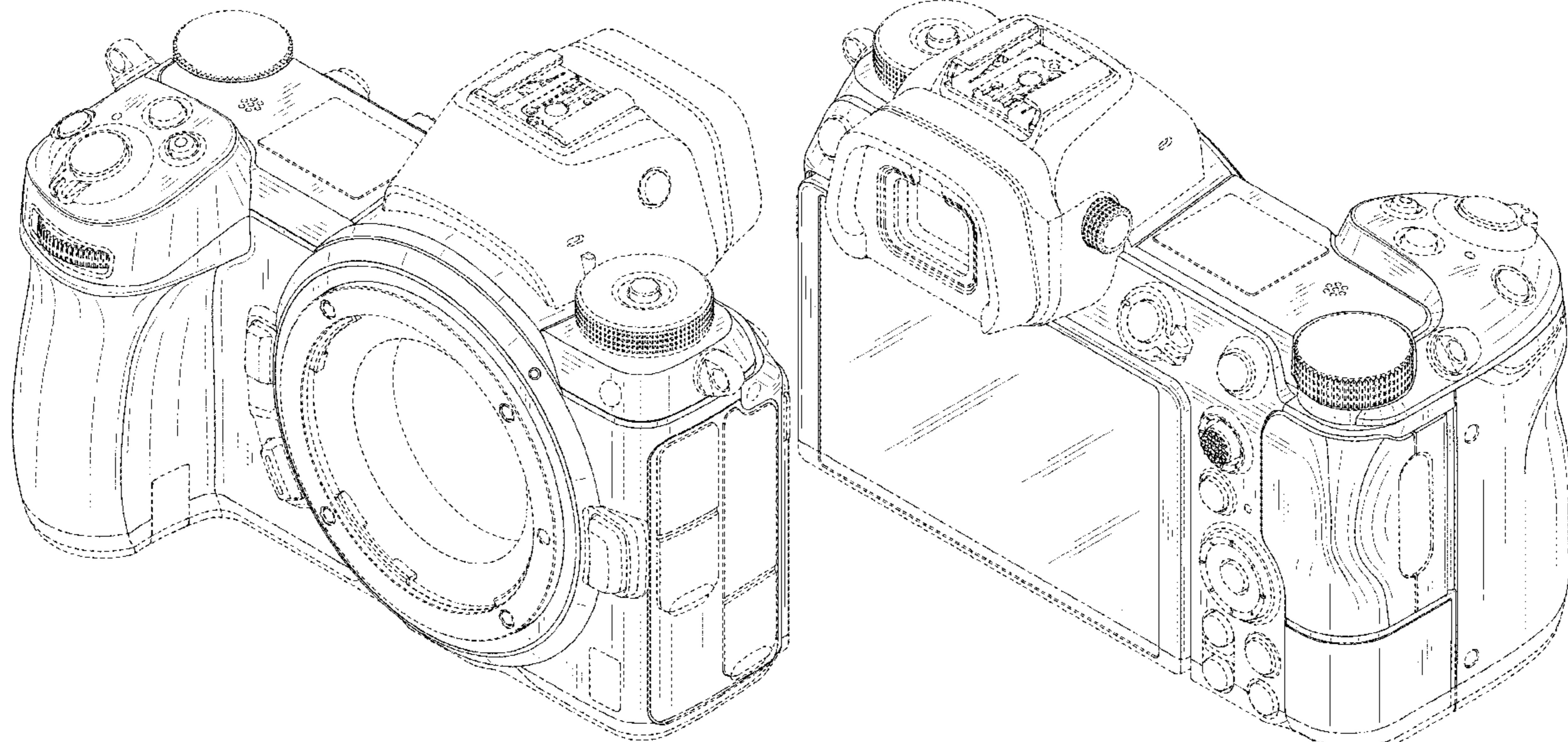
The ornamental design for a digital camera, as shown and described.

DESCRIPTION

FIG. 1 is a front, top, and right side perspective view of a digital camera showing our new design;
FIG. 2 is a rear, top, and left side perspective view thereof;
FIG. 3 is a front view thereof;
FIG. 4 is a rear view thereof;
FIG. 5 is a top plan view thereof;
FIG. 6 is a bottom plan view thereof;
FIG. 7 is a right side view thereof; and,
FIG. 8 is a left side view thereof.

The broken lines illustrate portions of the digital camera that form no part of the claimed design. The dash-dotted lines denote the boundary of the claim and form no part of the claimed design.

1 Claim, 8 Drawing Sheets



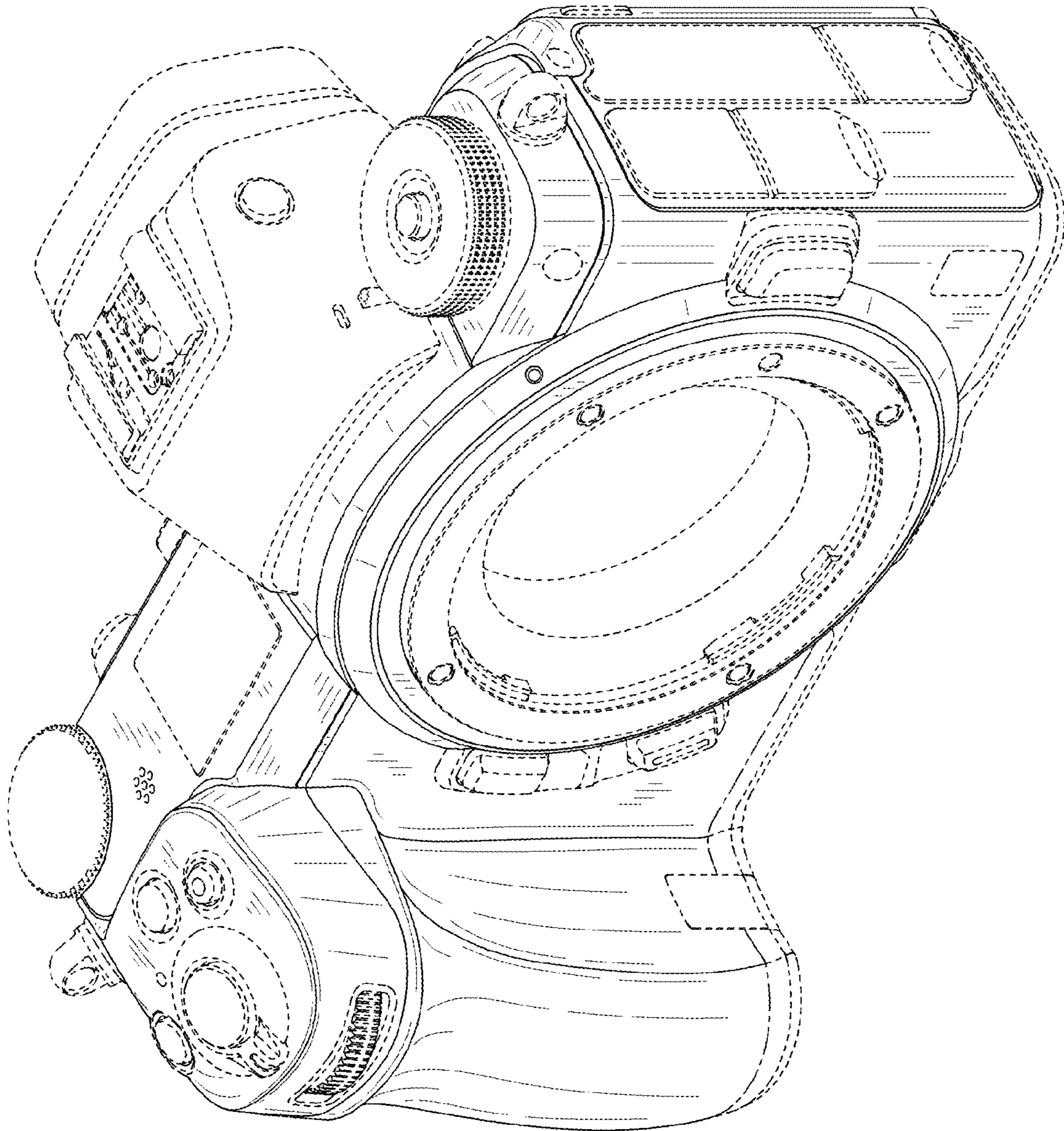


FIG.1

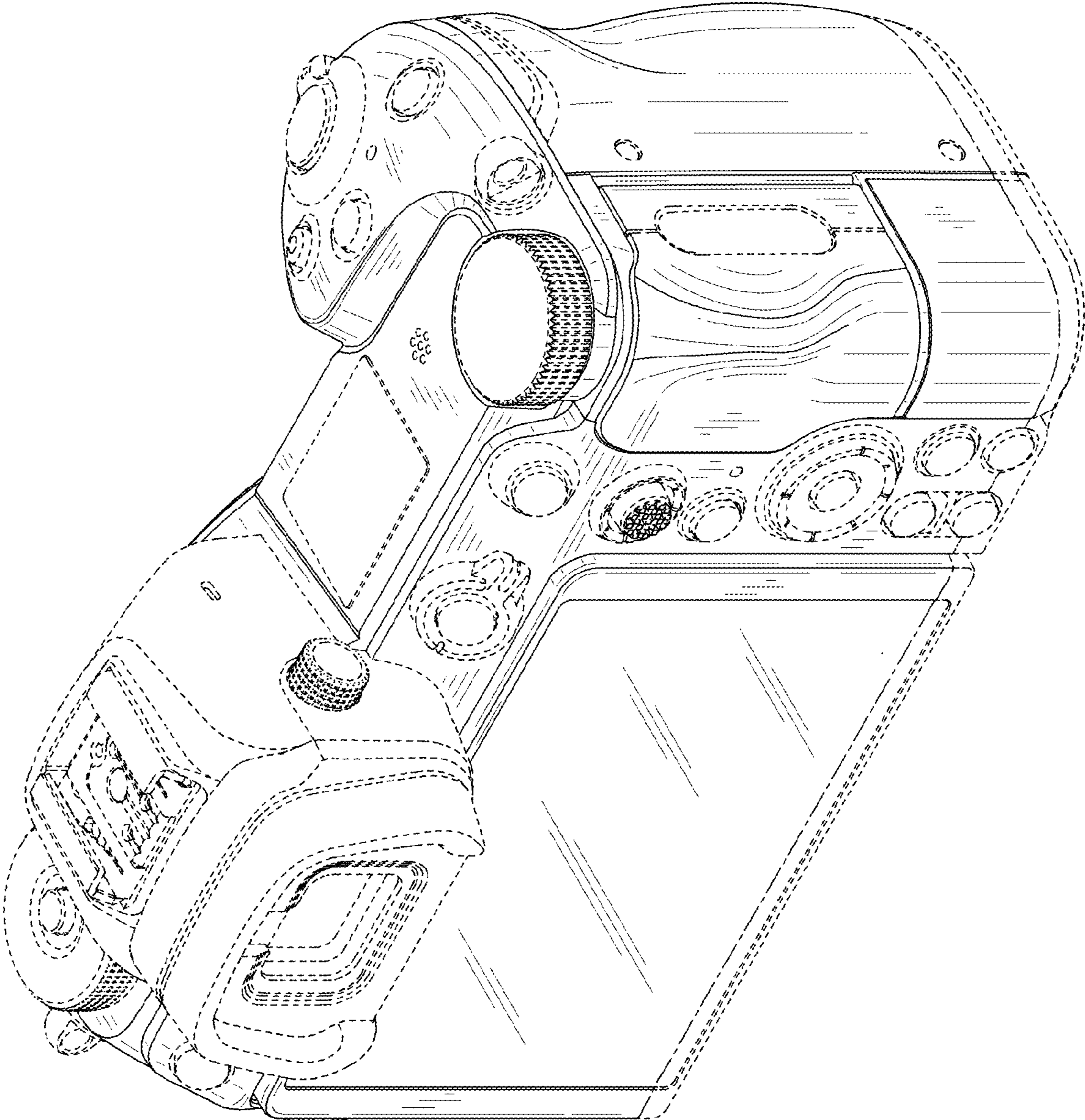


FIG.2

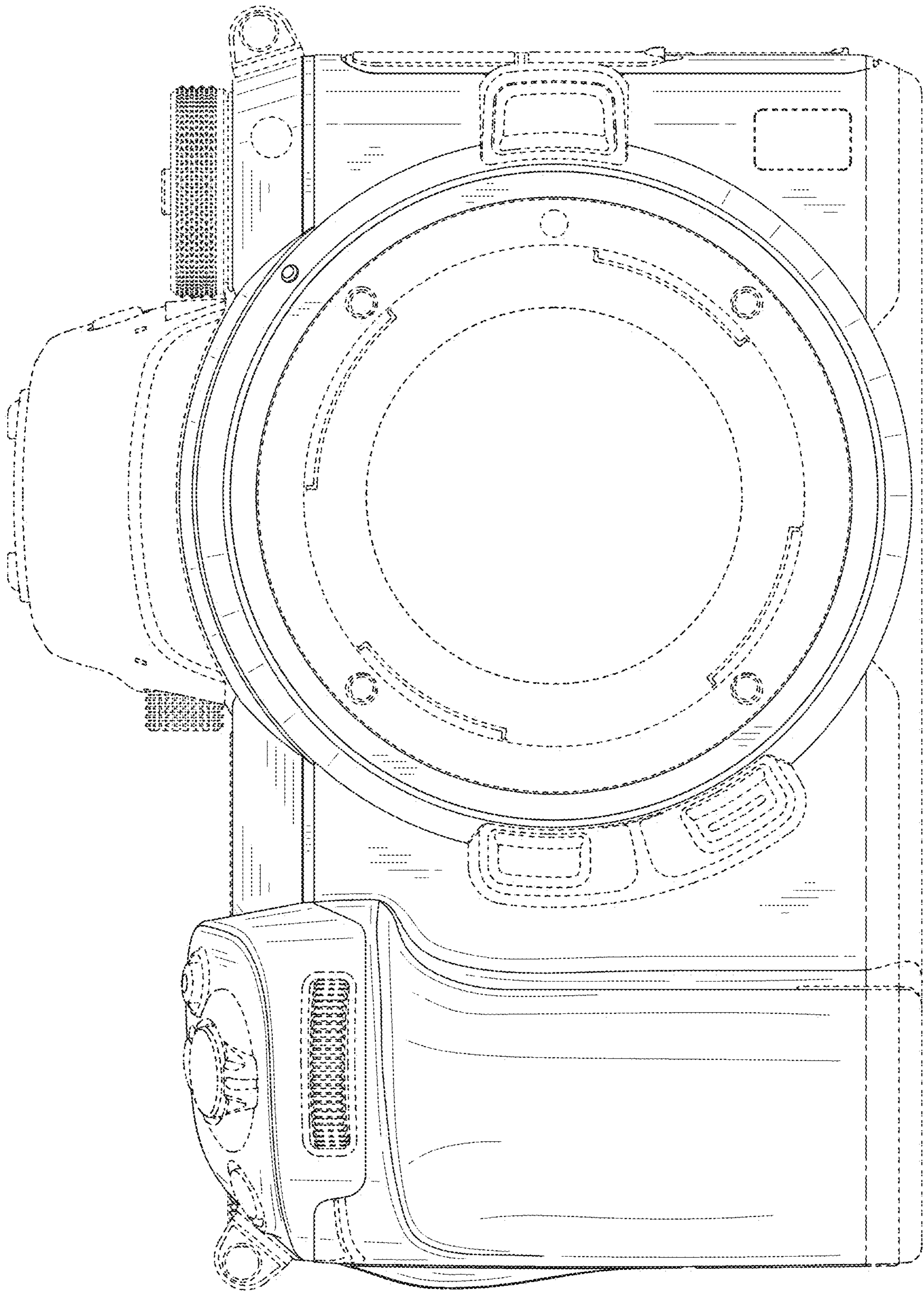


FIG.3

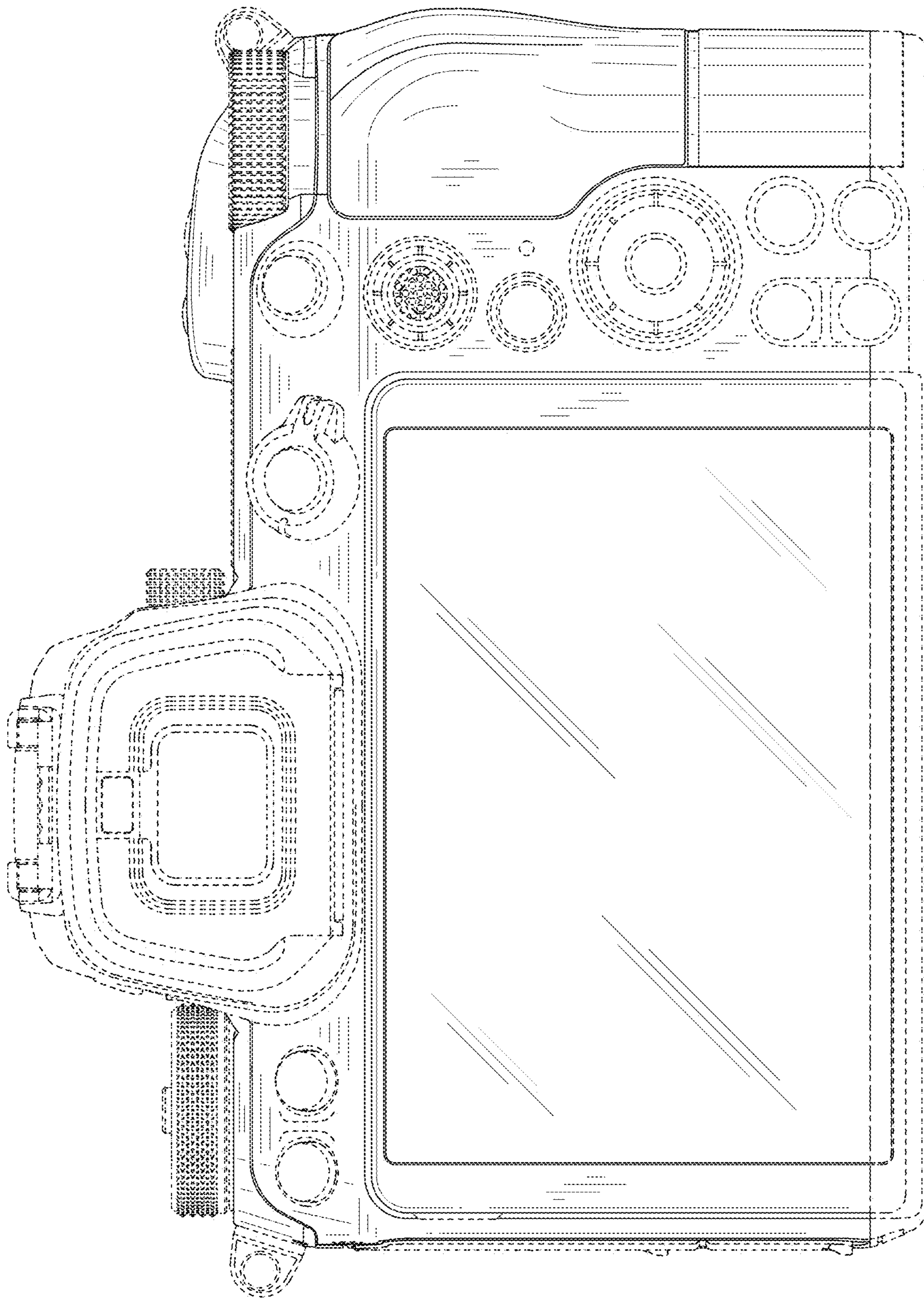


FIG.4

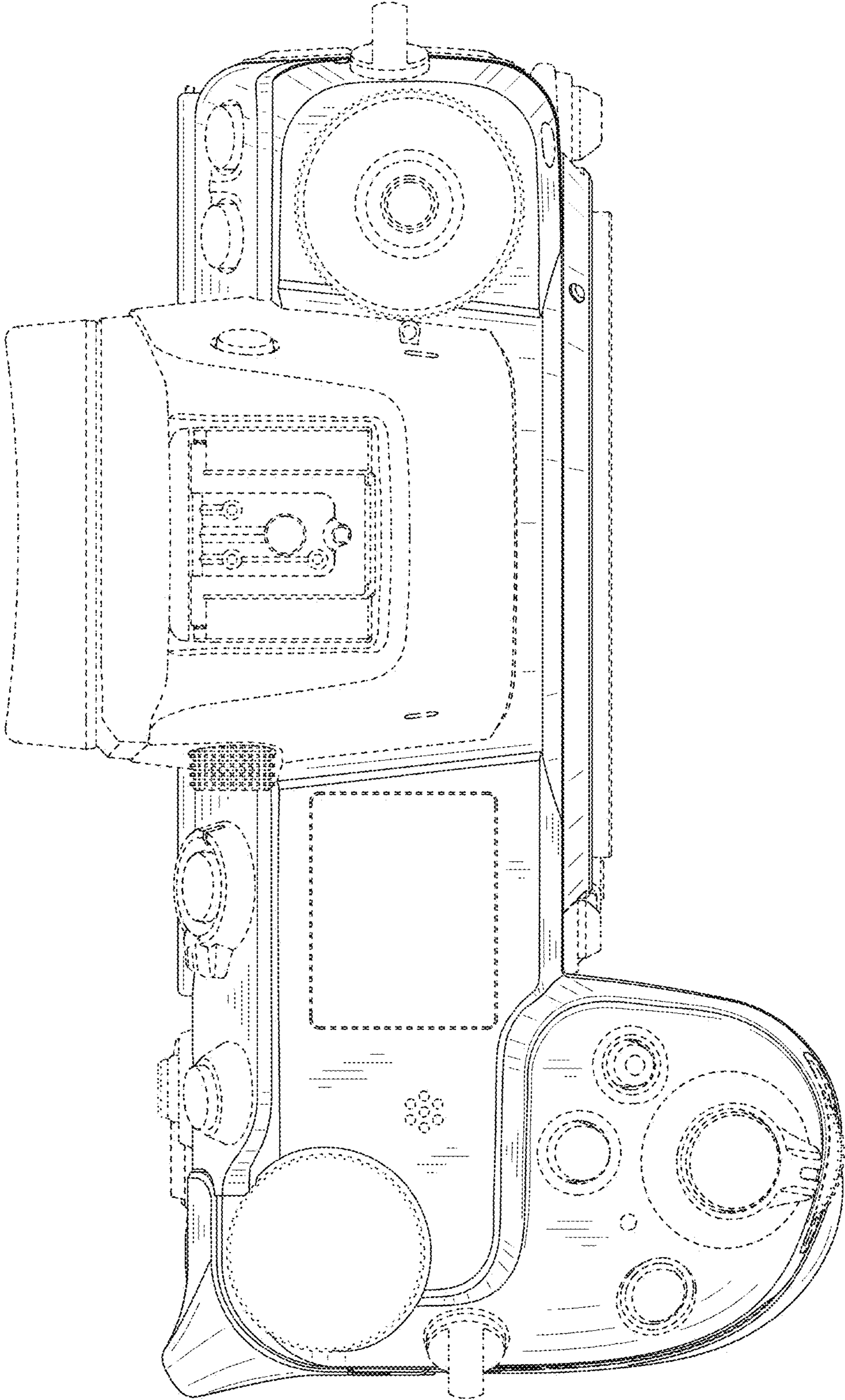


FIG.5

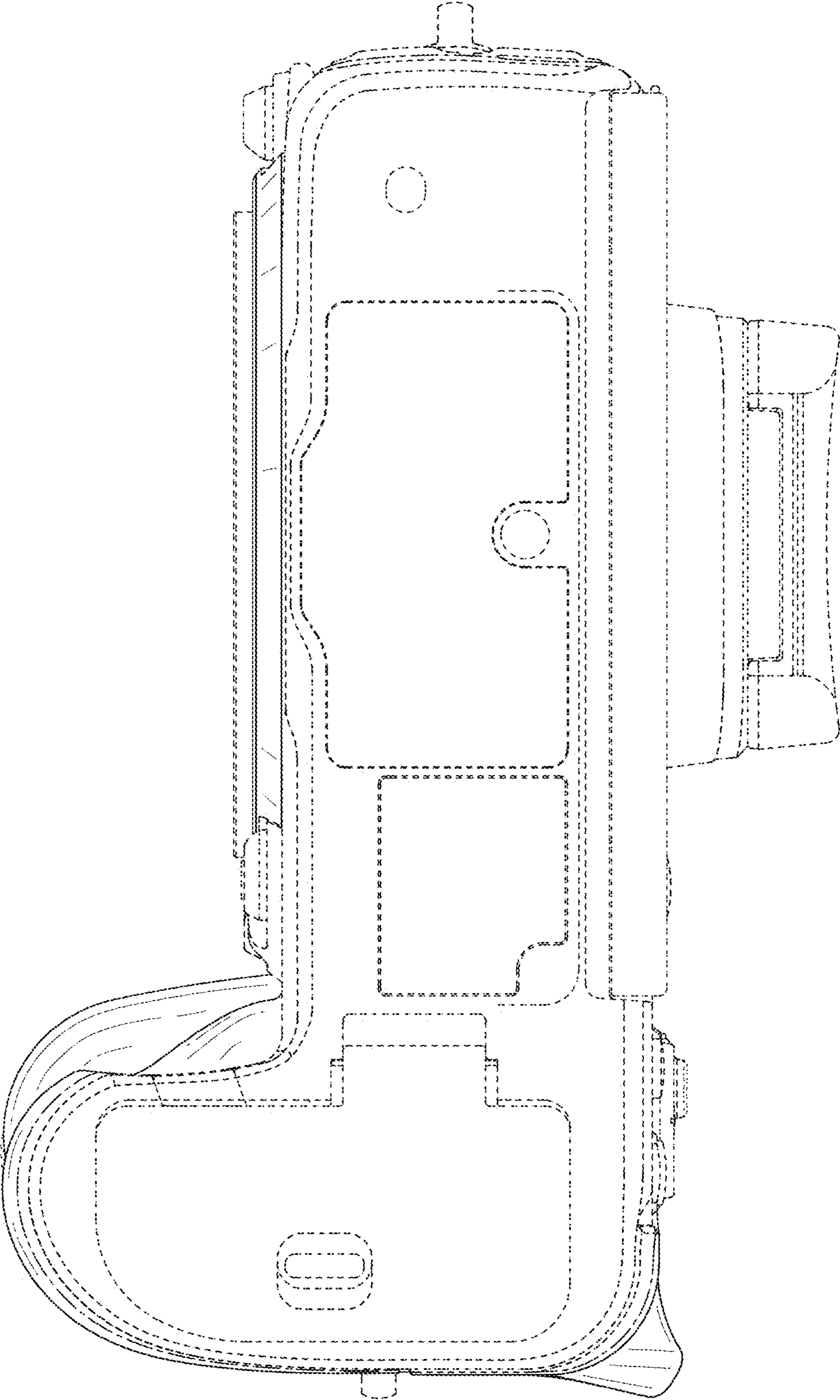


FIG.6

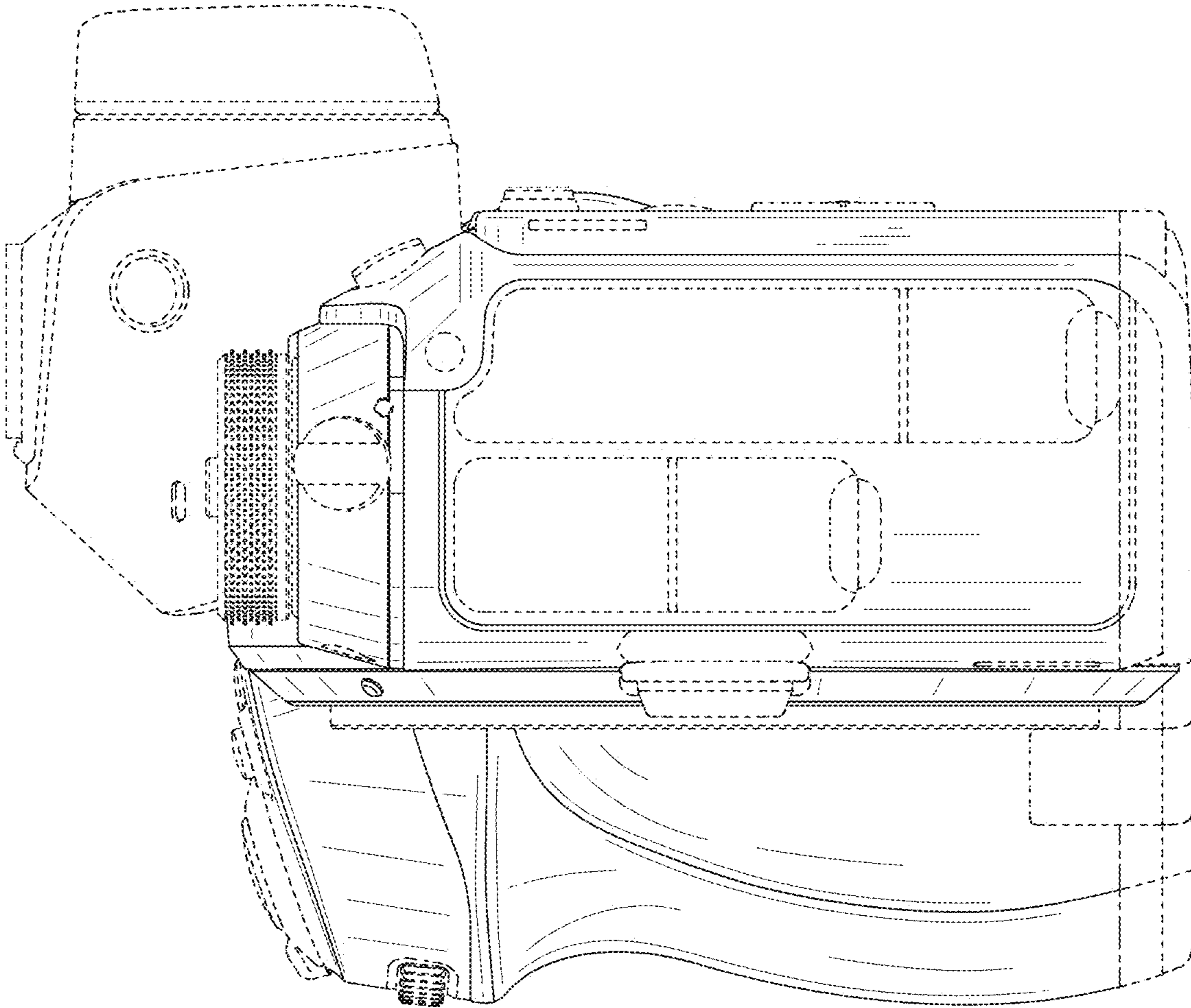


FIG.7

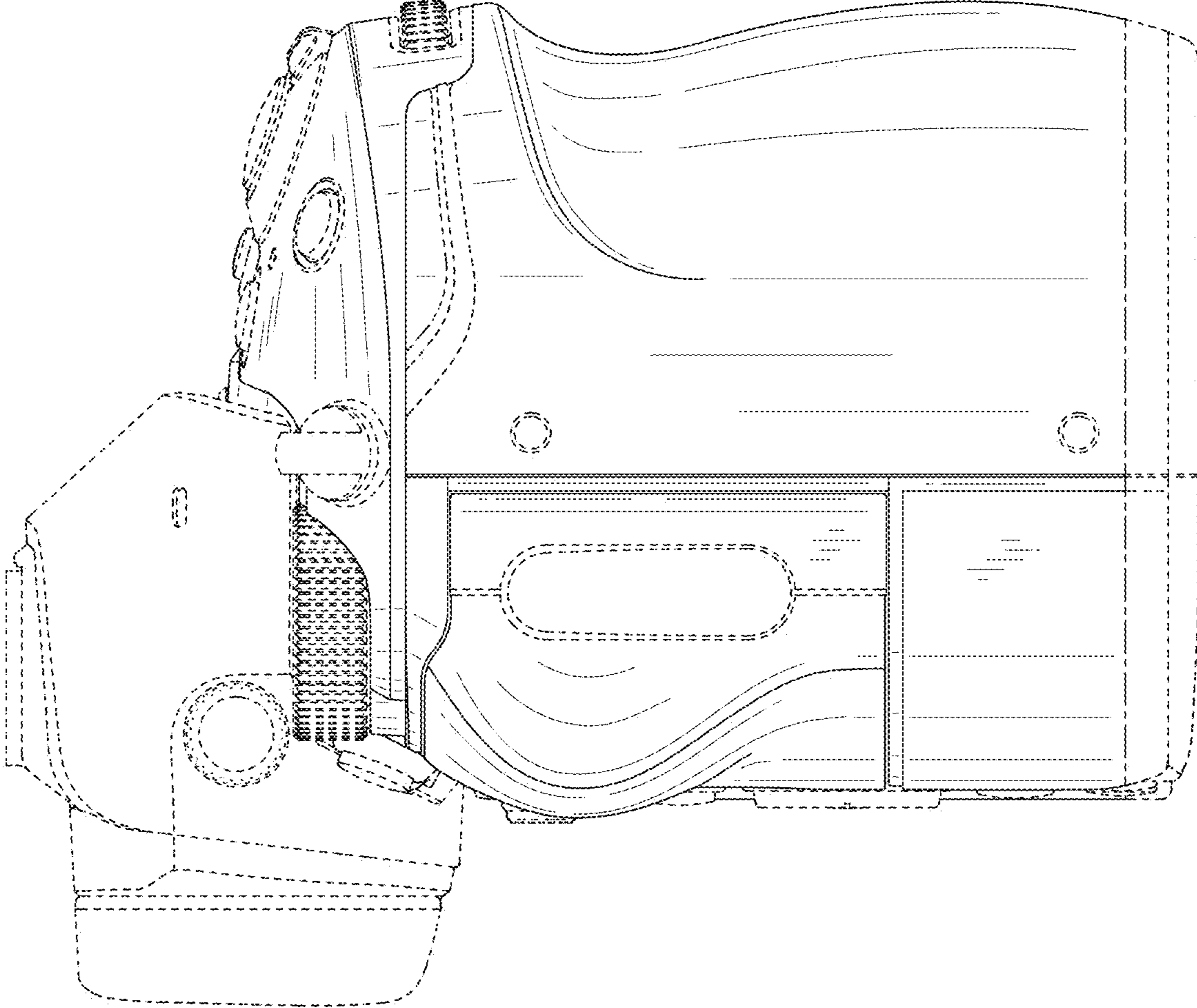


FIG. 8