



US00D896293S

(12) **United States Design Patent** (10) **Patent No.:** **US D896,293 S**
Ushio (45) **Date of Patent:** **** Sep. 15, 2020**

(54) **BINOCULARS**
(71) Applicant: **OLYMPUS CORPORATION**,
Hachioji-shi, Tokyo (JP)
(72) Inventor: **Mariko Ushio**, Hachioji (JP)
(73) Assignee: **OLYMPUS CORPORATION**, Tokyo
(JP)
(**) Term: **15 Years**

D651,629 S * 1/2012 Carley D16/133
D662,118 S * 6/2012 Soejima D16/133
D672,381 S * 12/2012 Wunnicke D16/133
D684,202 S * 6/2013 Radau D16/133
D719,201 S * 12/2014 Marsiglia D16/133
D748,177 S * 1/2016 Radau D16/133
D783,073 S * 4/2017 Radau D16/133
D816,750 S * 5/2018 Nakajima D16/133
D846,618 S * 4/2019 Kobayashi D16/133
D869,535 S * 12/2019 Schmitt D16/133
D869,536 S * 12/2019 Schmitt D16/133

(Continued)

(21) Appl. No.: **29/671,882**
(22) Filed: **Nov. 30, 2018**
(30) **Foreign Application Priority Data**
Jul. 30, 2018 (JP) 2018-016648
(51) **LOC (12) Cl.** **16-06**
(52) **U.S. Cl.**
USPC **D16/133**
(58) **Field of Classification Search**
USPC D16/133, 130, 131, 132, 134-136;
D22/100, 108, 109, 110, 199
CPC G02B 23/16; G02B 23/12; G02B 23/18;
G02B 27/0176
See application file for complete search history.

OTHER PUBLICATIONS

Related Design U.S. Appl. No. 29/671,874, filed Nov. 30, 2018,
First Named Inventor: Mariko Ushio, Title: "Binoculars".

Primary Examiner — Mark A Goodwin
Assistant Examiner — Benjamin M Weeks
(74) *Attorney, Agent, or Firm* — Holtz, Holtz & Volek PC

(57) **CLAIM**

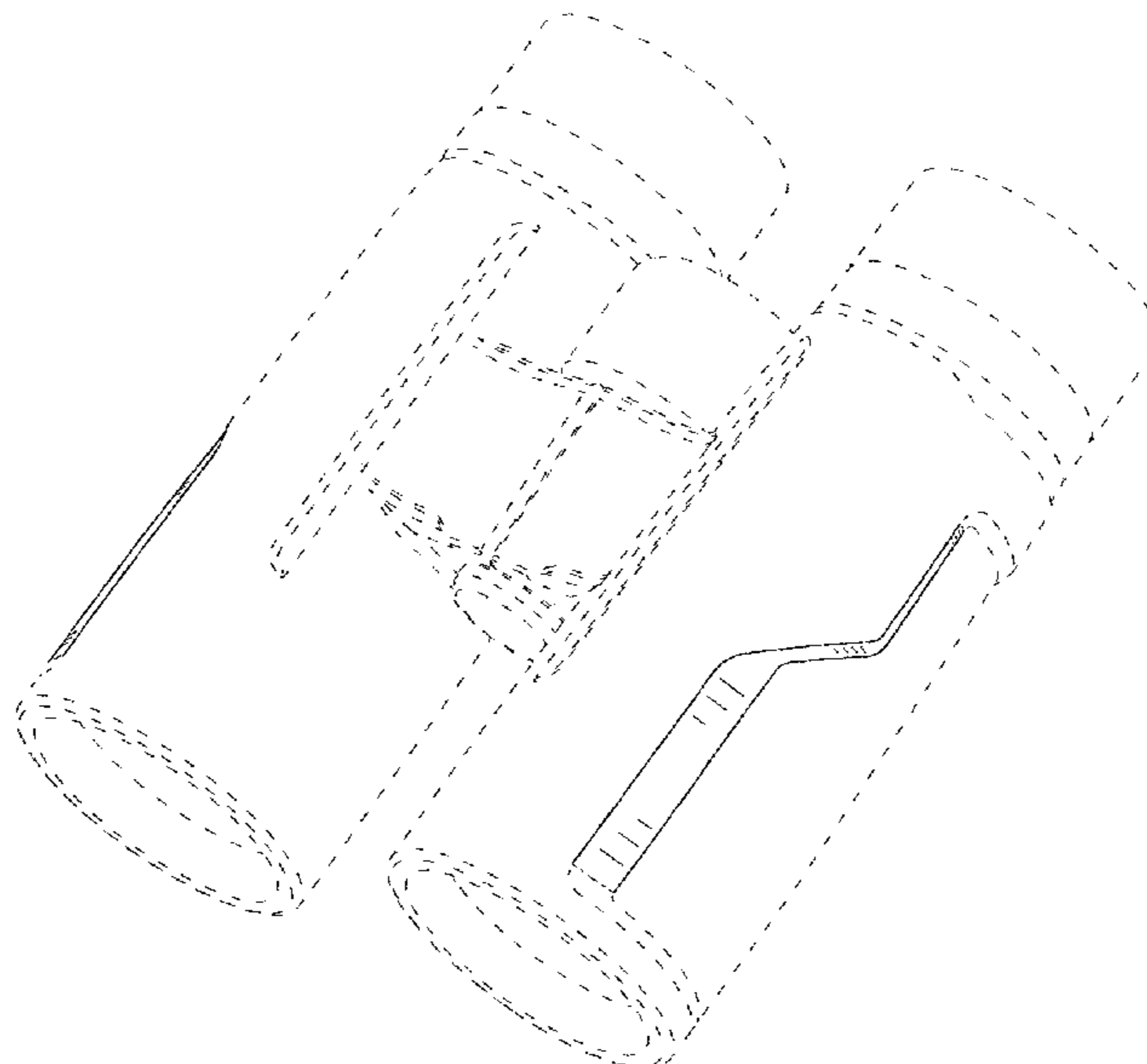
The ornamental design for binoculars, as shown and
described.

DESCRIPTION

FIG. 1 is a front, bottom and right side perspective view of
binoculars showing my new design;
FIG. 2 is a front view thereof;
FIG. 3 is a rear view thereof;
FIG. 4 is a top view thereof;
FIG. 5 is a bottom view thereof;
FIG. 6 is a right side view thereof; and,
FIG. 7 is a left side view thereof.
The evenly-dashed broken lines showings in the drawings
show unclaimed portions of the binoculars only and form no
part of the claimed design.
The dot-dash broken lines in the drawings show boundaries
of the binoculars that form no part of the claimed design.

(56) **References Cited**
U.S. PATENT DOCUMENTS
4,325,602 A * 4/1982 Lange G02B 23/18
359/408
D412,177 S * 7/1999 Fujii D16/133
D486,507 S * 2/2004 Fujii D16/133
D590,856 S * 4/2009 Hayamizu D16/133
D602,059 S * 10/2009 Inaba D16/133
7,905,459 B2 * 3/2011 Cameron G02B 23/18
248/176.1
7,911,691 B2 * 3/2011 Kobayashi G02B 23/18
359/407

1 Claim, 7 Drawing Sheets



(56)

References Cited

U.S. PATENT DOCUMENTS

D869,537 S * 12/2019 Schmitt D16/133
D869,538 S * 12/2019 Schmitt D16/133

* cited by examiner

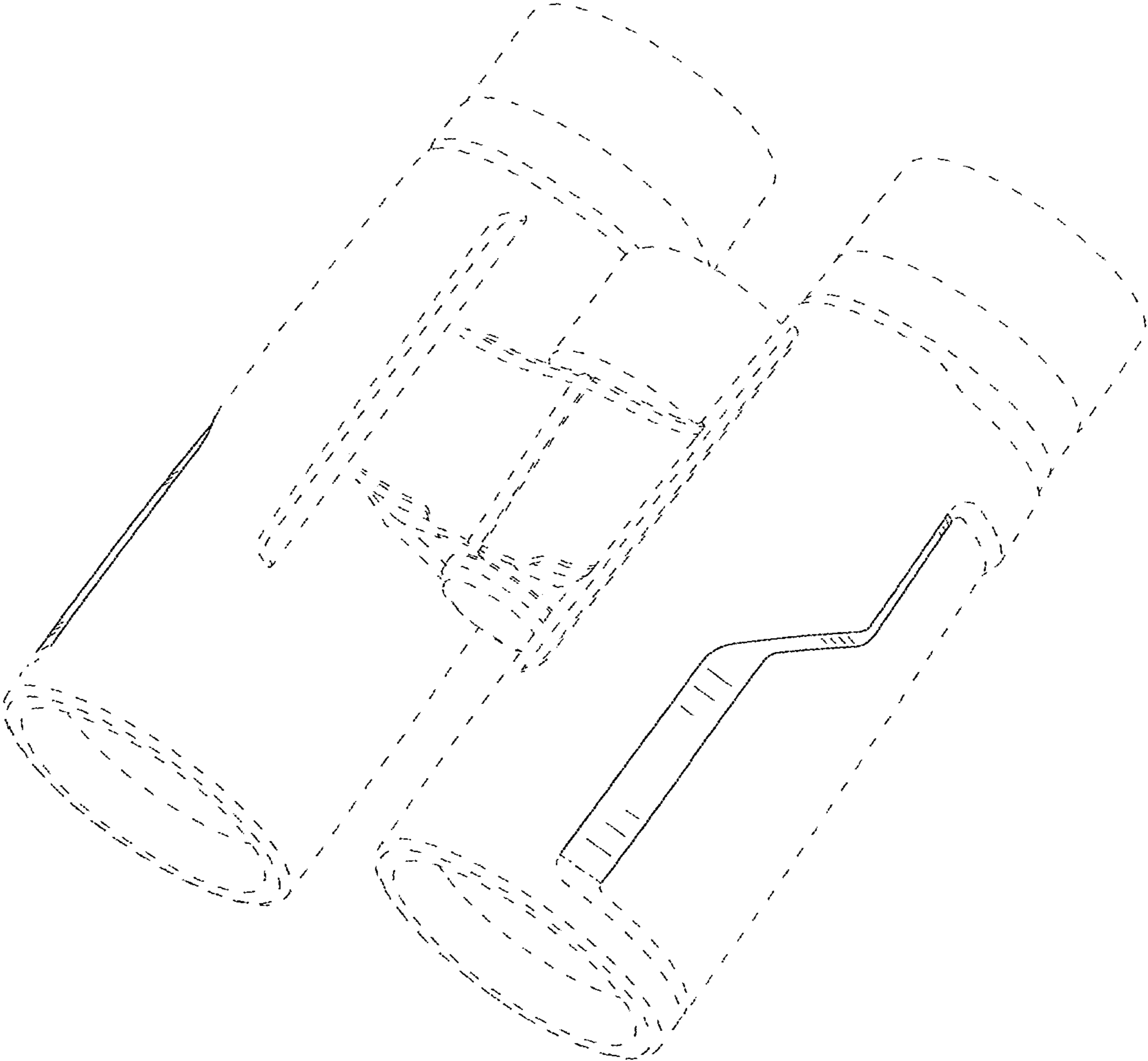


Fig. 1

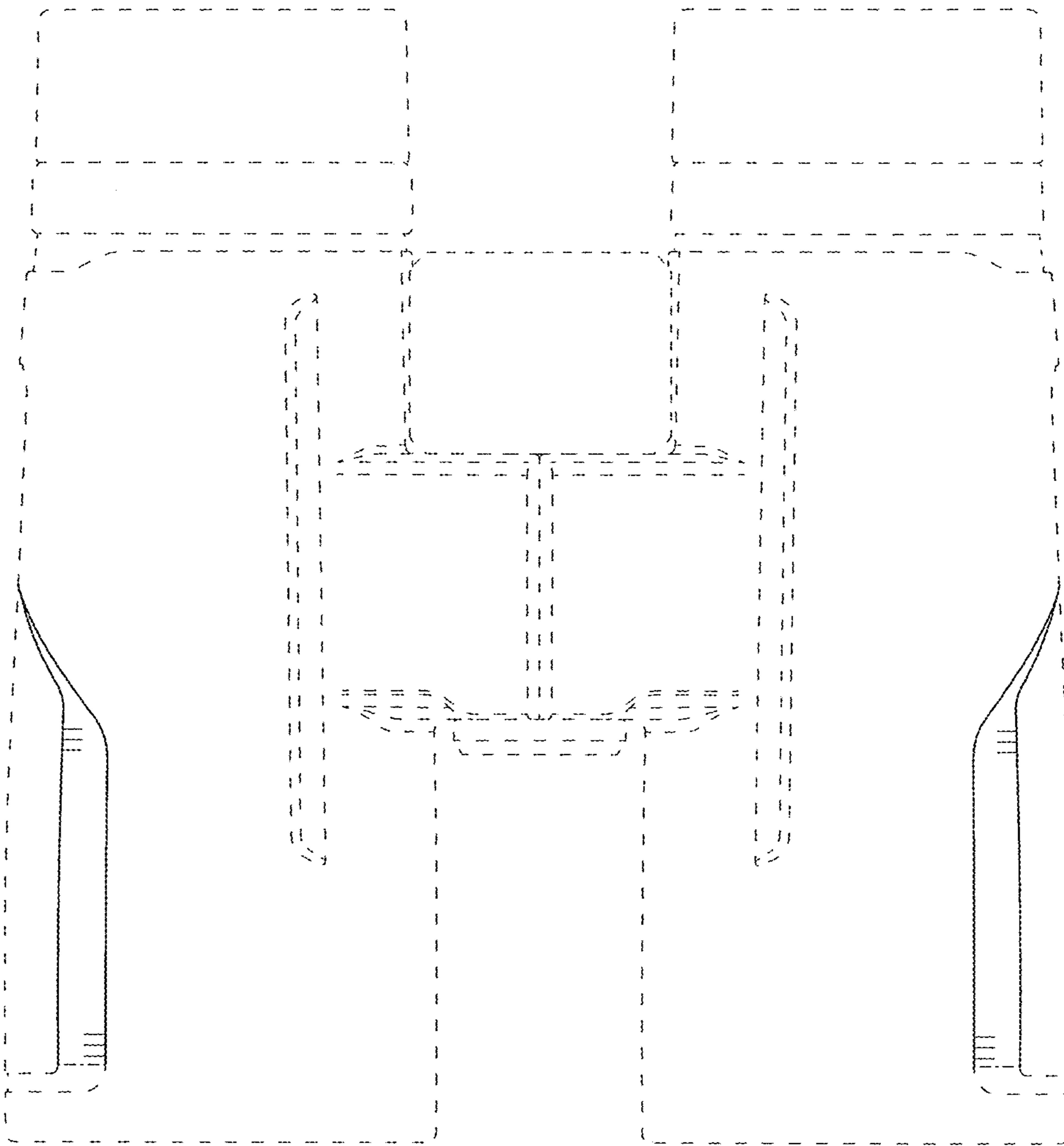


Fig. 2

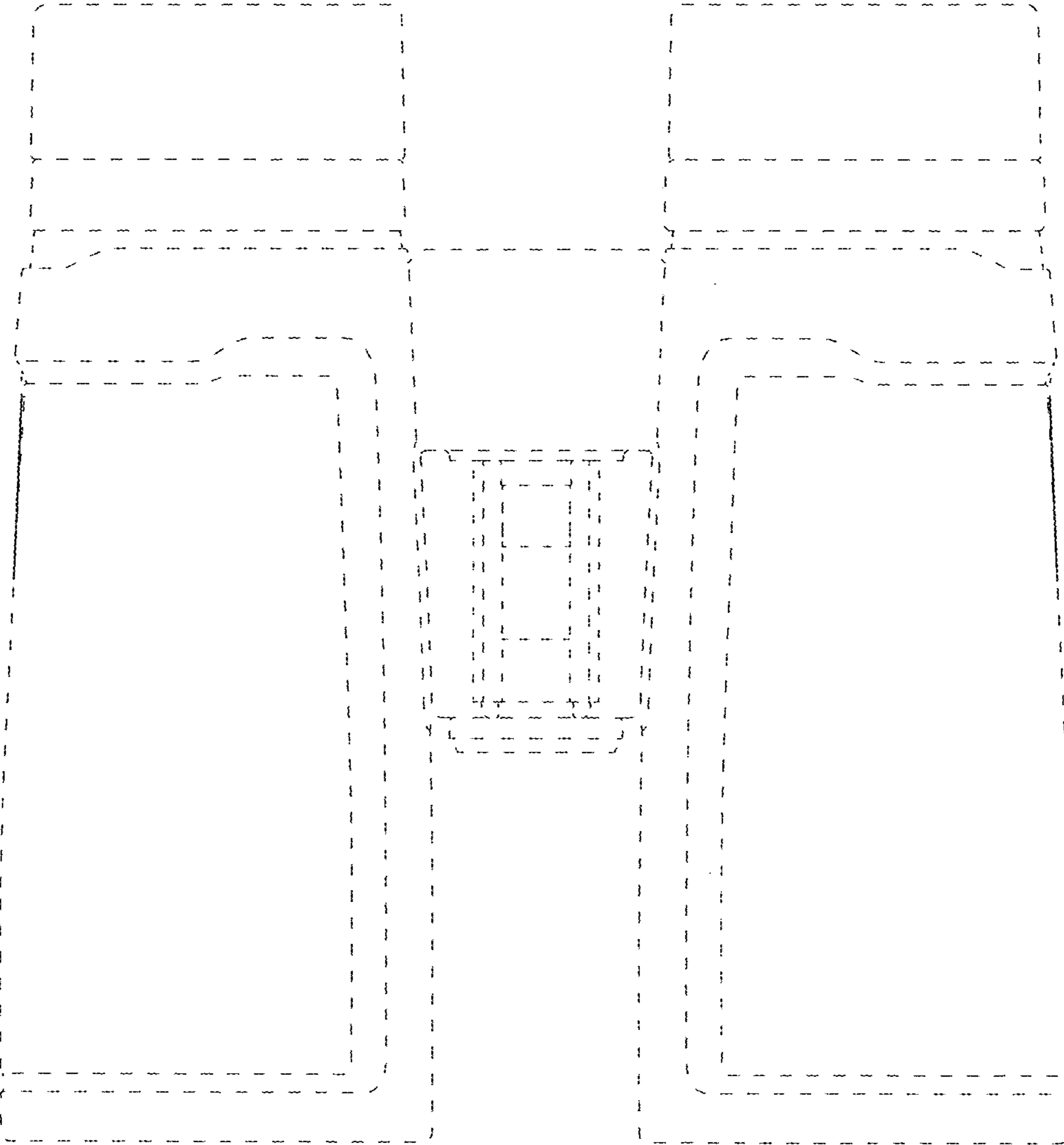


Fig. 3

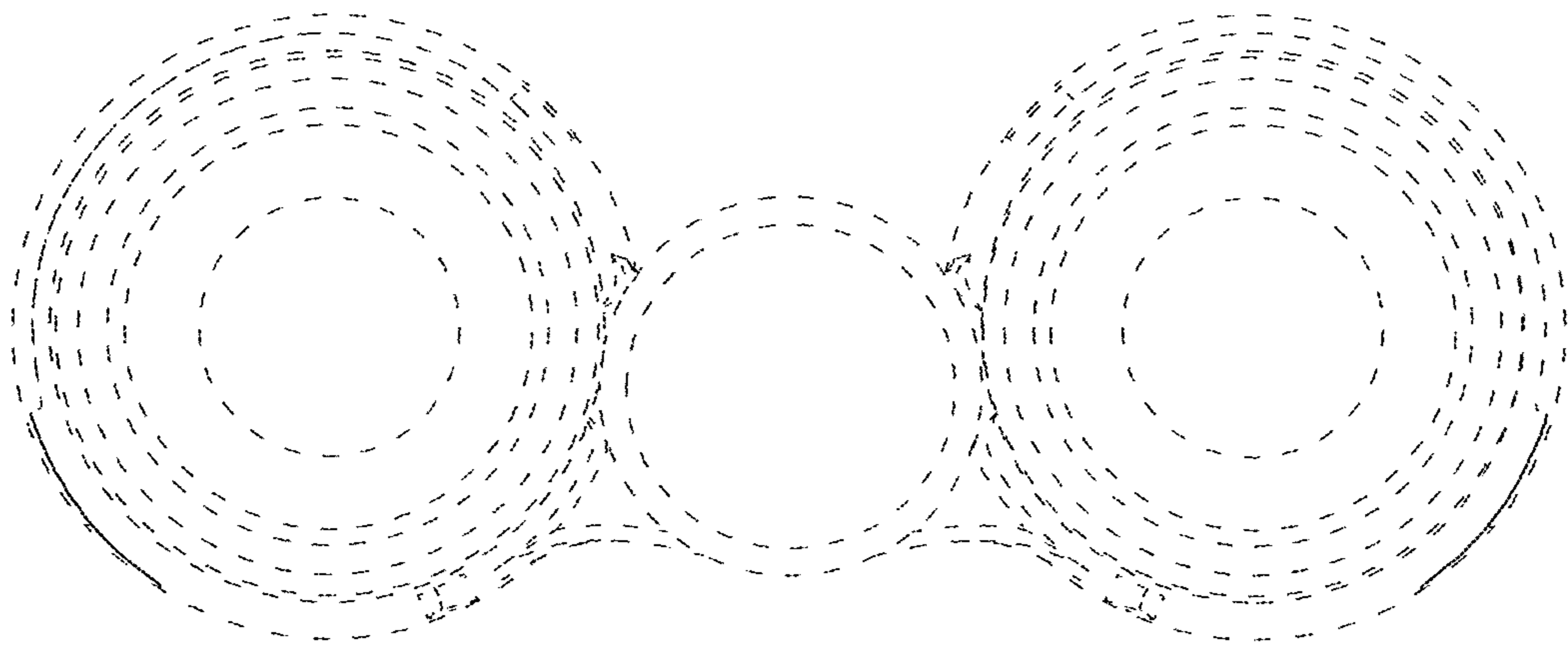


Fig. 4

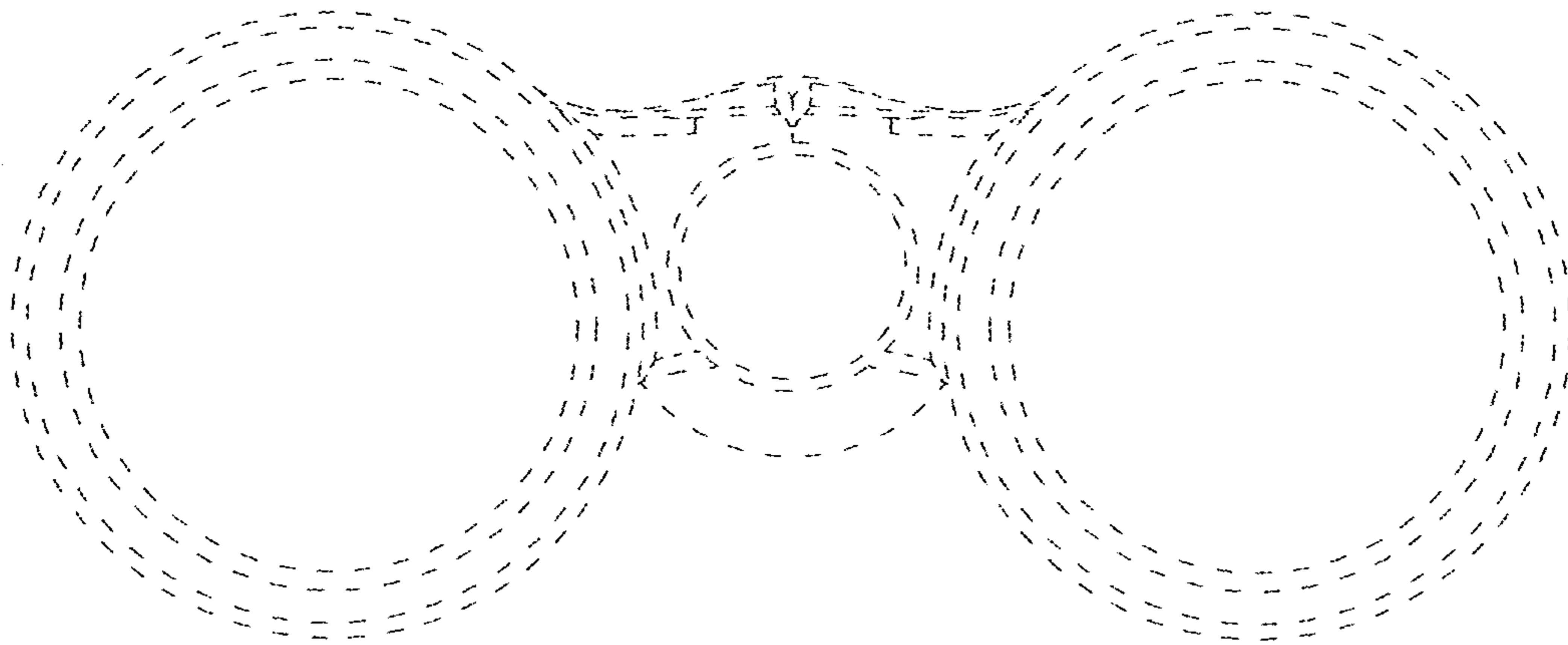


Fig. 5

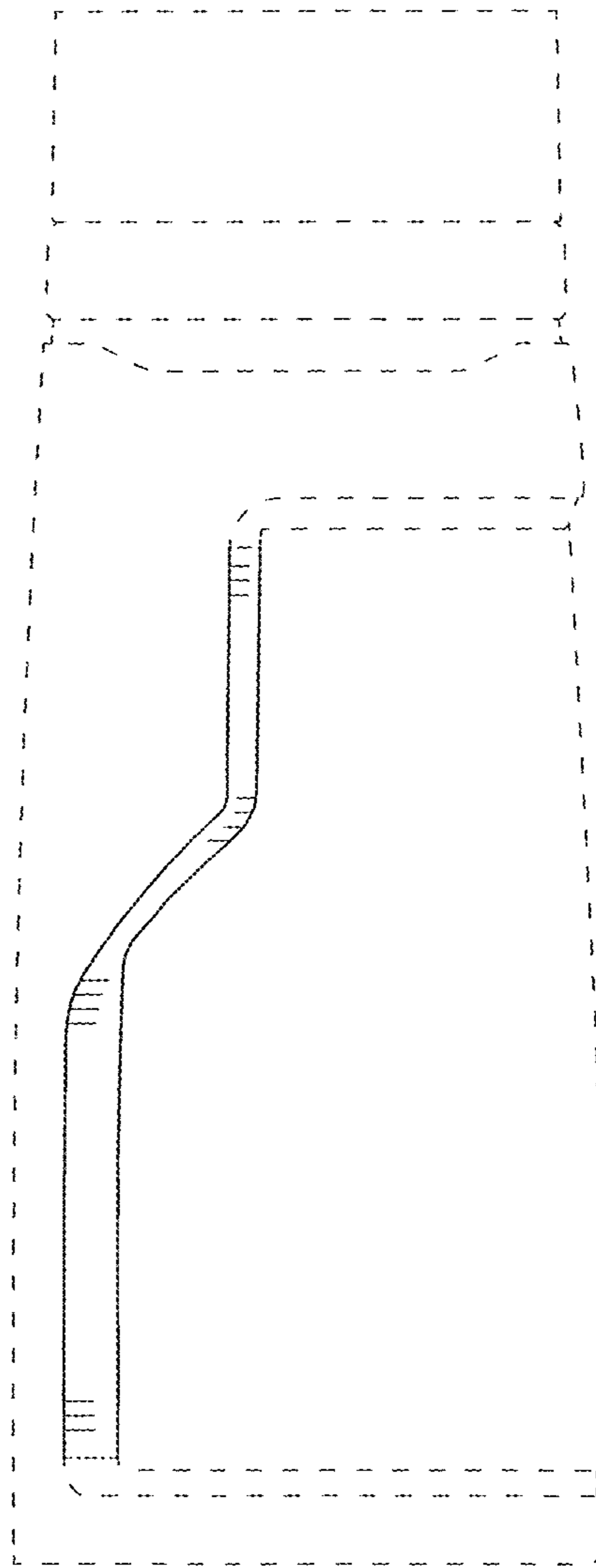


Fig. 6

