



US00D896292S

(12) **United States Design Patent** (10) **Patent No.:** **US D896,292 S**  
**Ushio** (45) **Date of Patent:** **\*\* Sep. 15, 2020**

(54) **BINOCULARS** 7,911,691 B2 \* 3/2011 Kobayashi ..... G02B 23/18  
 359/407  
 (71) Applicant: **OLYMPUS CORPORATION,** D651,629 S \* 1/2012 Carley ..... D16/133  
 Hachioji-shi, Tokyo (JP) D662,118 S \* 6/2012 Soejima ..... D16/133  
 D672,381 S \* 12/2012 Wunnicke ..... D16/133  
 (72) Inventor: **Mariko Ushio,** Hachioji (JP) D684,202 S \* 6/2013 Radau ..... D16/133  
 D719,201 S \* 12/2014 Marsiglia ..... D16/133  
 D748,177 S \* 1/2016 Radau ..... D16/133  
 (73) Assignee: **OLYMPUS CORPORATION,** Tokyo D783,073 S \* 4/2017 Radau ..... D16/133  
 (JP) D816,750 S \* 5/2018 Nakajima ..... D16/133  
 D846,618 S \* 4/2019 Kobayashi ..... D16/133  
 (\*\*) Term: **15 Years** D869,535 S \* 12/2019 Schmitt ..... D16/133  
 D869,536 S \* 12/2019 Schmitt ..... D16/133  
 D869,537 S \* 12/2019 Schmitt ..... D16/133  
 D869,538 S \* 12/2019 Schmitt ..... D16/133

(21) Appl. No.: **29/671,874**

(22) Filed: **Nov. 30, 2018**

(30) **Foreign Application Priority Data**

Jul. 30, 2018 (JP) ..... 2018-016647

(51) **LOC (12) Cl.** ..... **16-06**

(52) **U.S. Cl.**  
USPC ..... **D16/133**

(58) **Field of Classification Search**  
USPC ..... D16/133, 130, 131, 132, 134-136;  
D22/100, 108, 109, 110, 199  
CPC ..... G02B 23/16; G02B 23/12; G02B 23/18;  
G02B 27/0176  
See application file for complete search history.

(56) **References Cited**

**U.S. PATENT DOCUMENTS**

4,325,602 A \* 4/1982 Lange ..... G02B 23/18  
 359/408  
 D412,177 S \* 7/1999 Fujii ..... D16/133  
 D486,507 S \* 2/2004 Fujii ..... D16/133  
 D590,856 S \* 4/2009 Hayamizu ..... D16/133  
 D602,059 S \* 10/2009 Inaba ..... D16/133  
 7,905,459 B2 \* 3/2011 Cameron ..... G02B 23/18  
 248/176.1

**OTHER PUBLICATIONS**

Related Design U.S. Appl. No. 29/671,882, filed Nov. 30, 2018,  
First Named Inventor: Mariko Ushio, Title: "BINOCULARS".

\* cited by examiner

*Primary Examiner* — Mark A Goodwin

*Assistant Examiner* — Benjamin M Weeks

(74) *Attorney, Agent, or Firm* — Holtz, Holtz & Volek PC

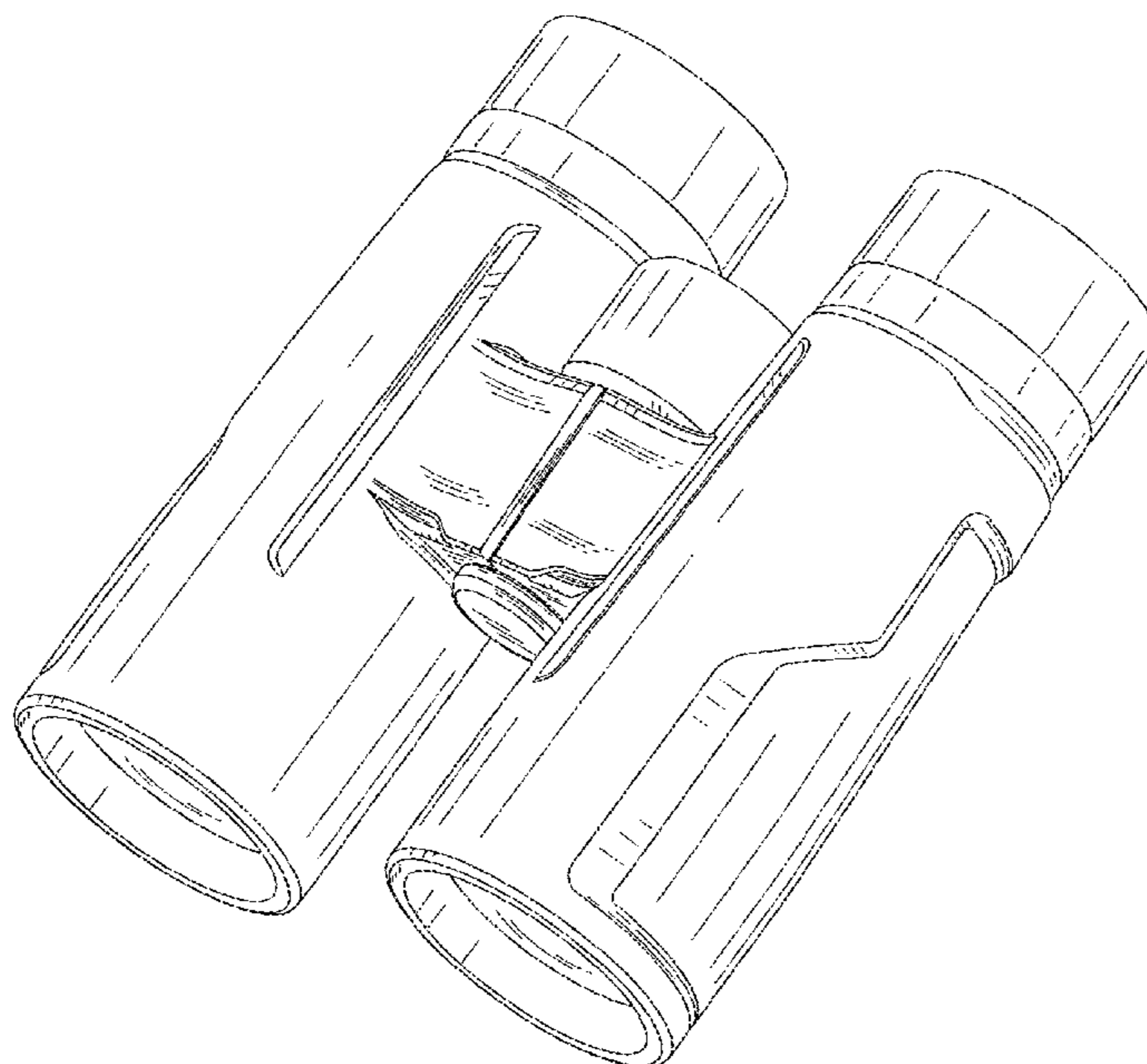
(57) **CLAIM**

The ornamental design for binoculars, as shown.

**DESCRIPTION**

FIG. 1 is a front, bottom and right side perspective view of  
 binoculars showing my new design;  
 FIG. 2 is a front view thereof;  
 FIG. 3 is a rear view thereof;  
 FIG. 4 is a top view thereof;  
 FIG. 5 is a bottom view thereof;  
 FIG. 6 is a right side view thereof; and,  
 FIG. 7 is a left side view thereof.

**1 Claim, 7 Drawing Sheets**



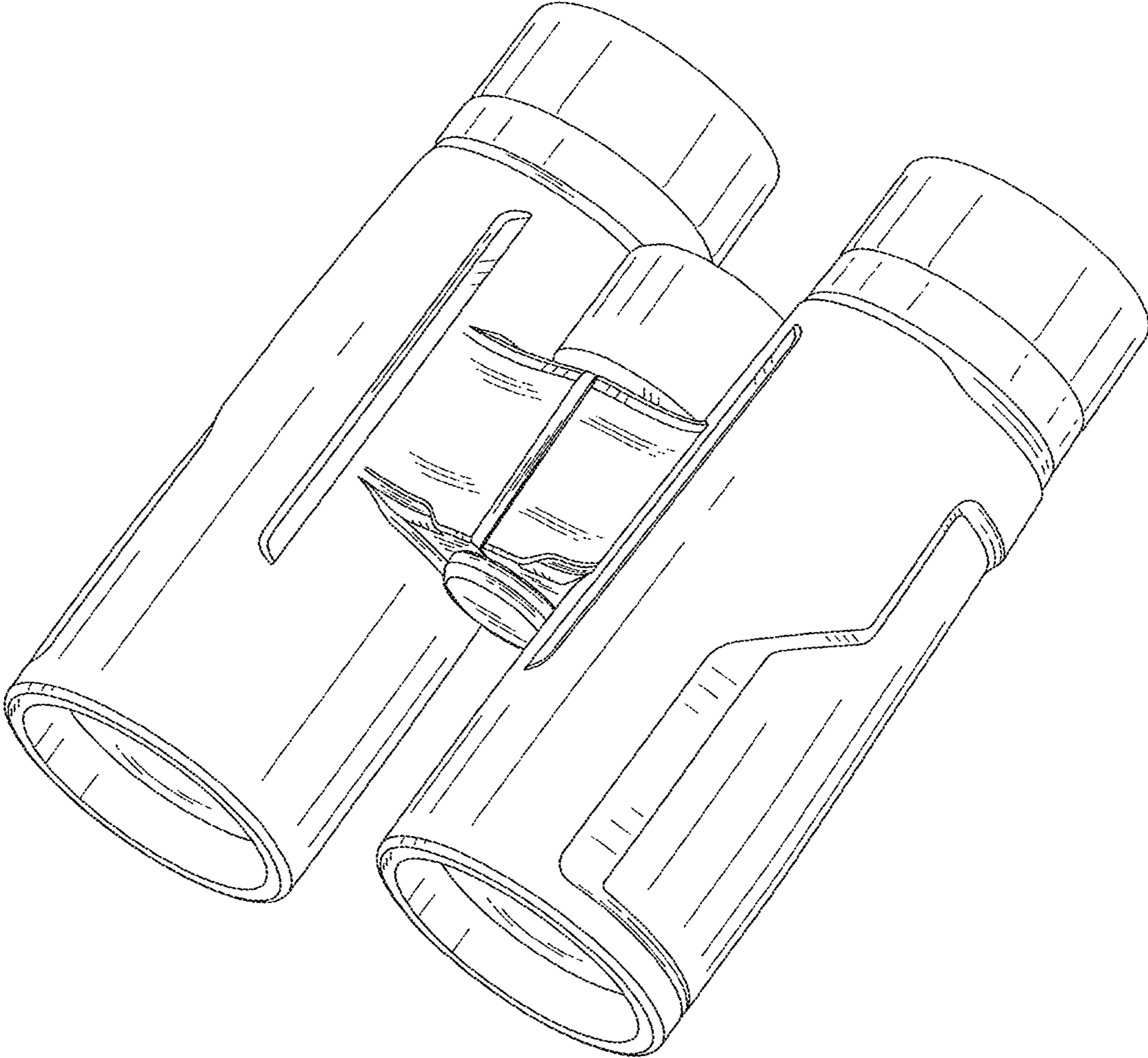


Fig. 1

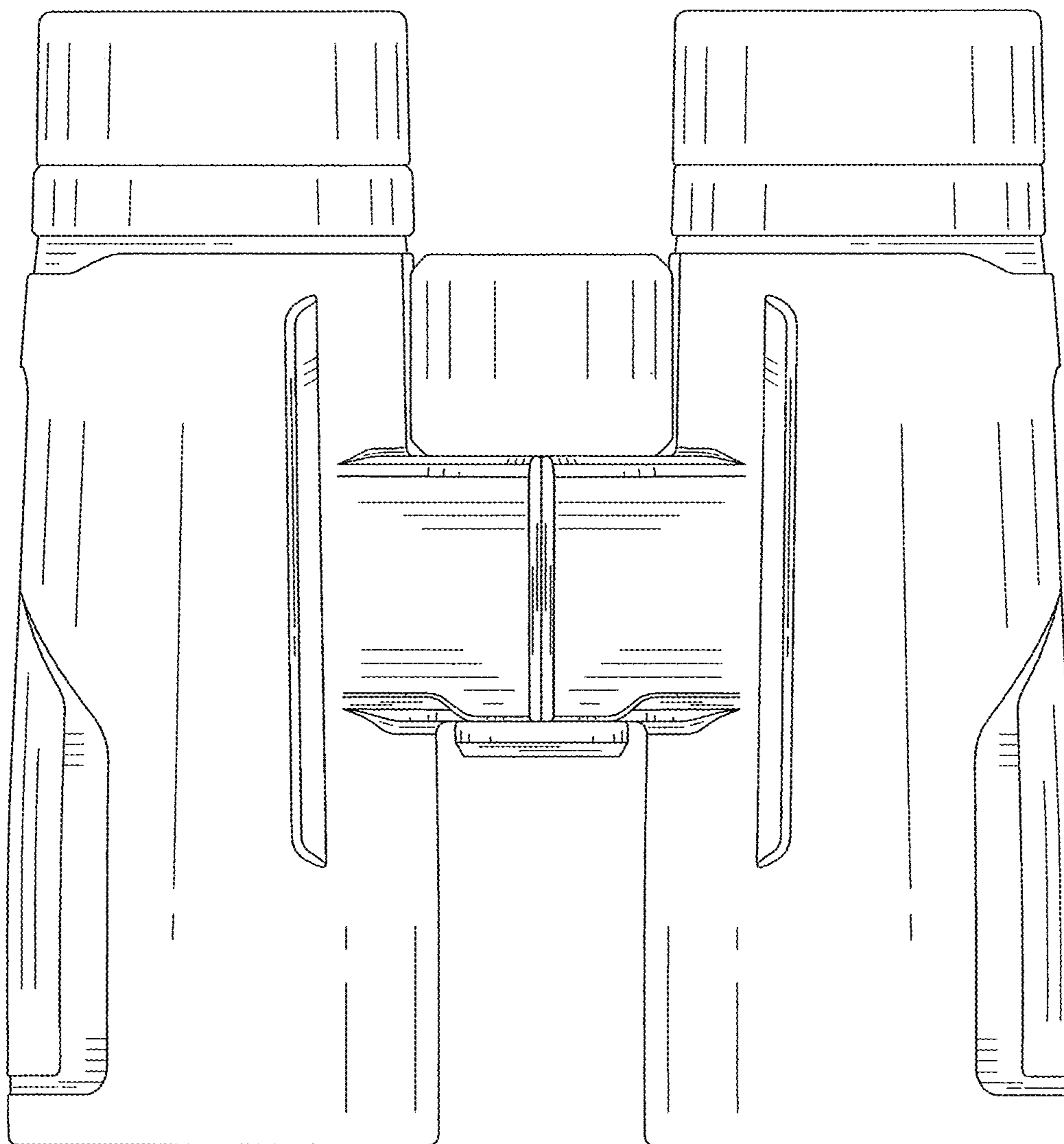


Fig. 2

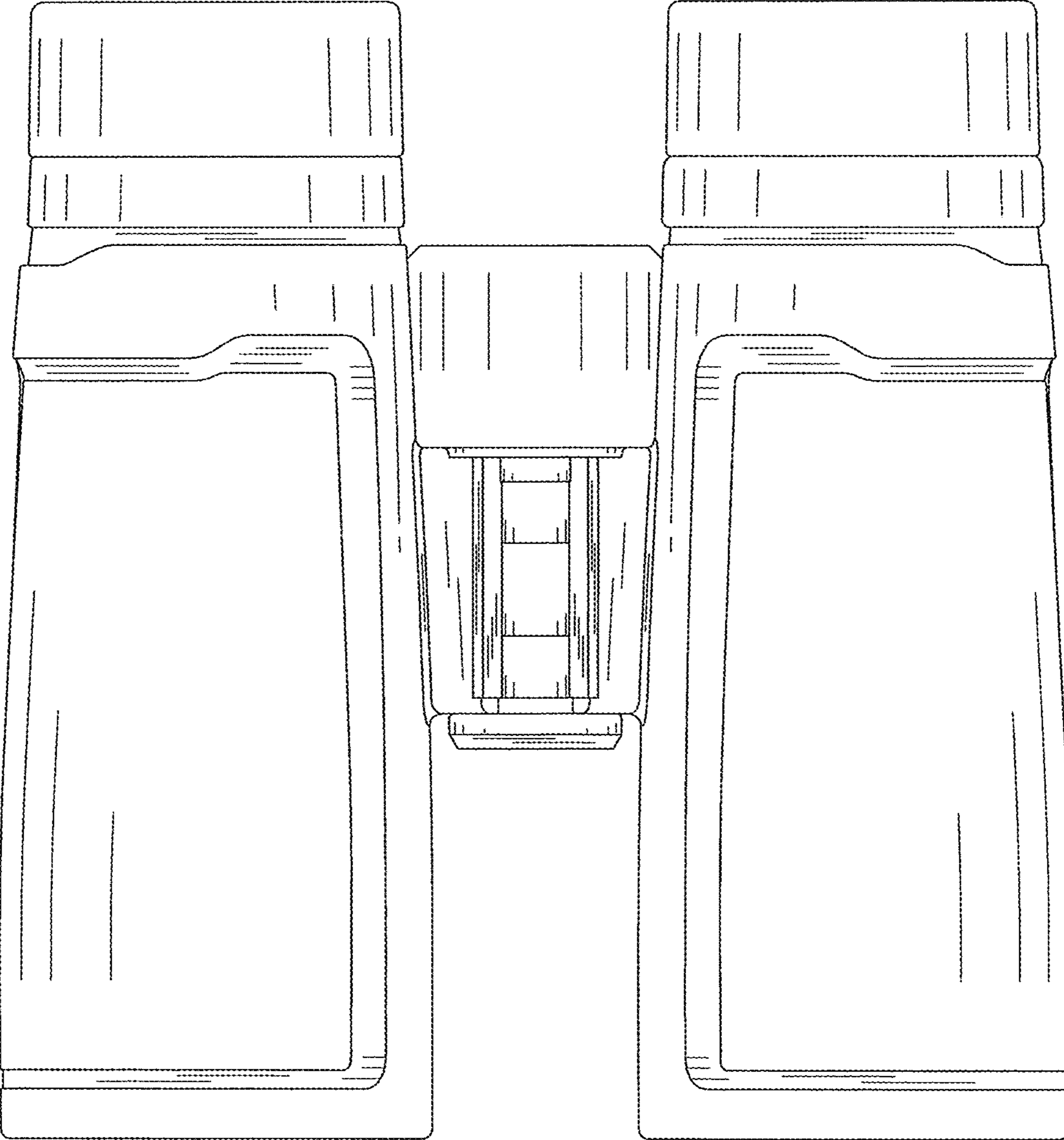


Fig. 3

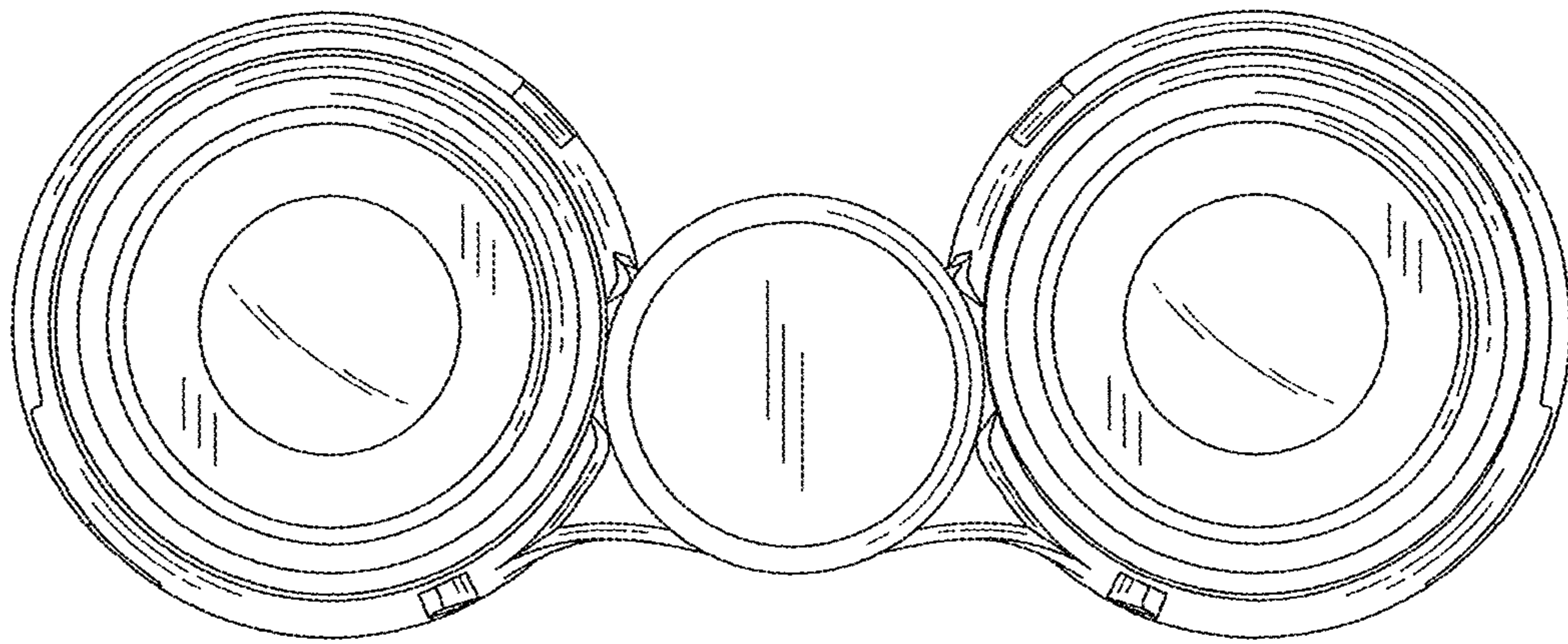


Fig. 4

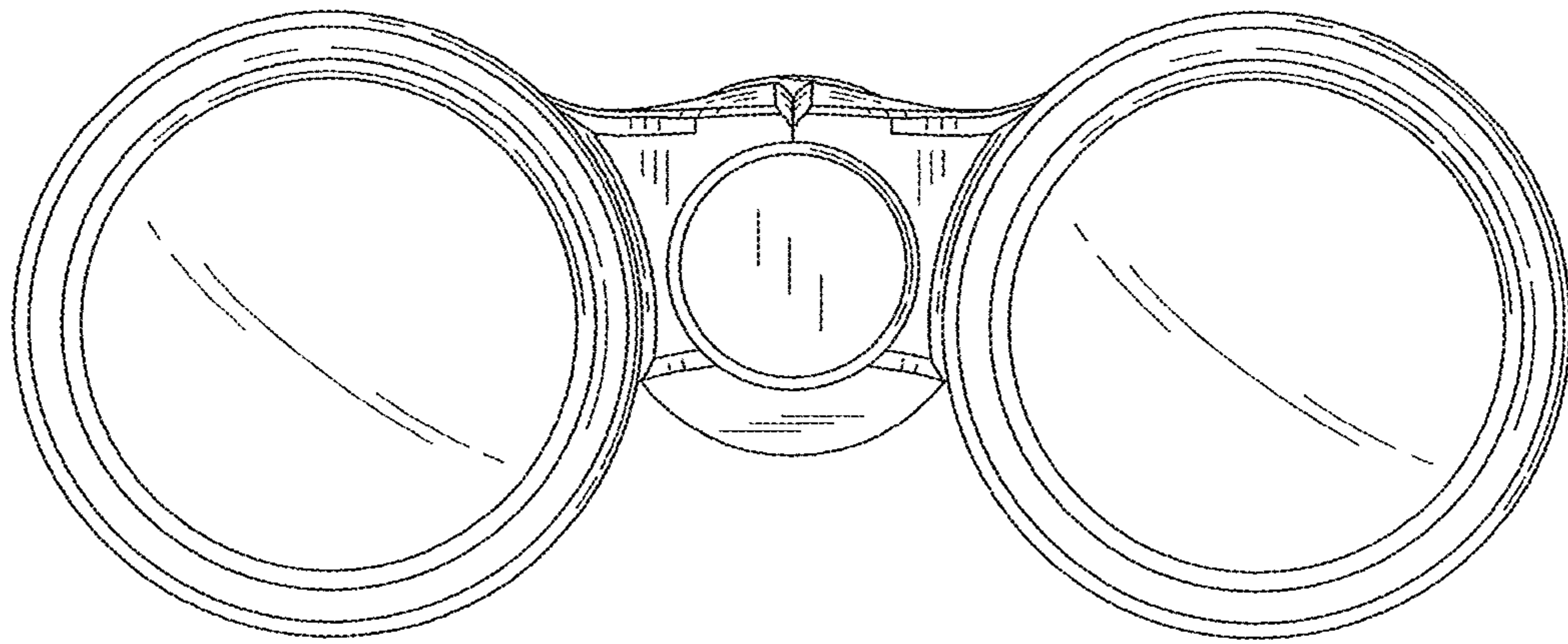


Fig. 5

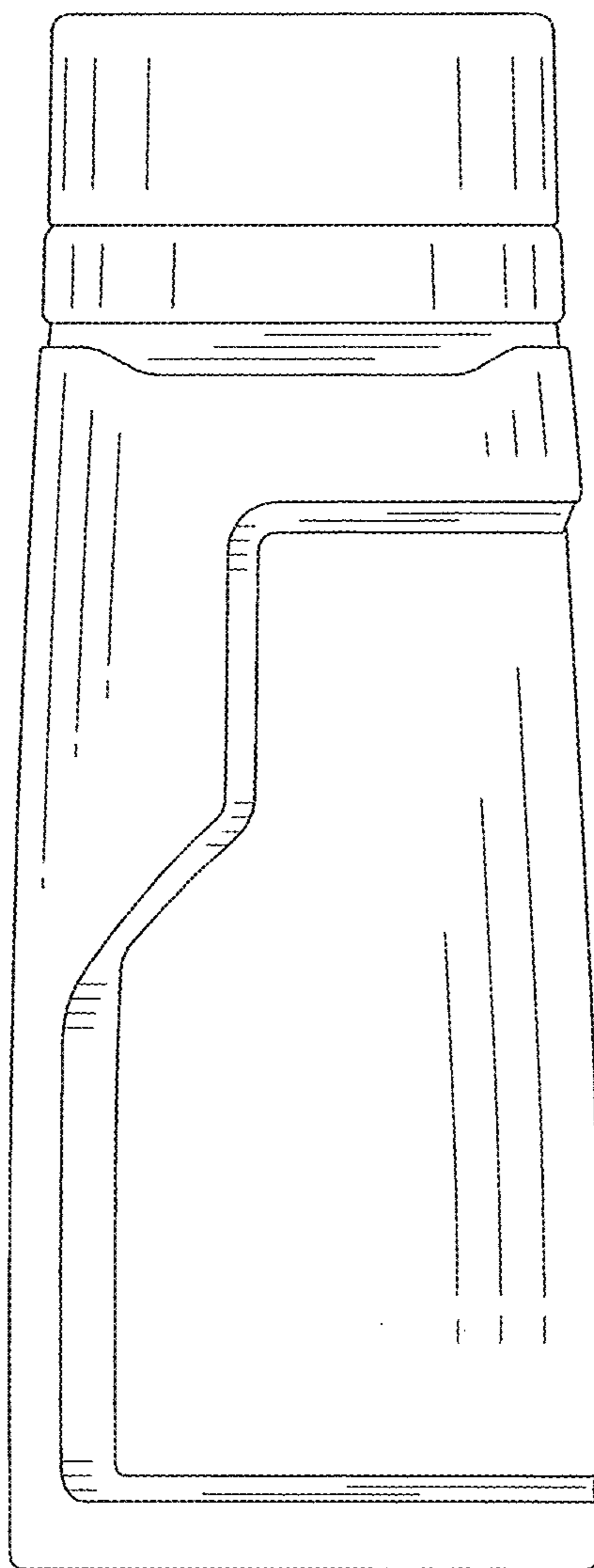


Fig. 6

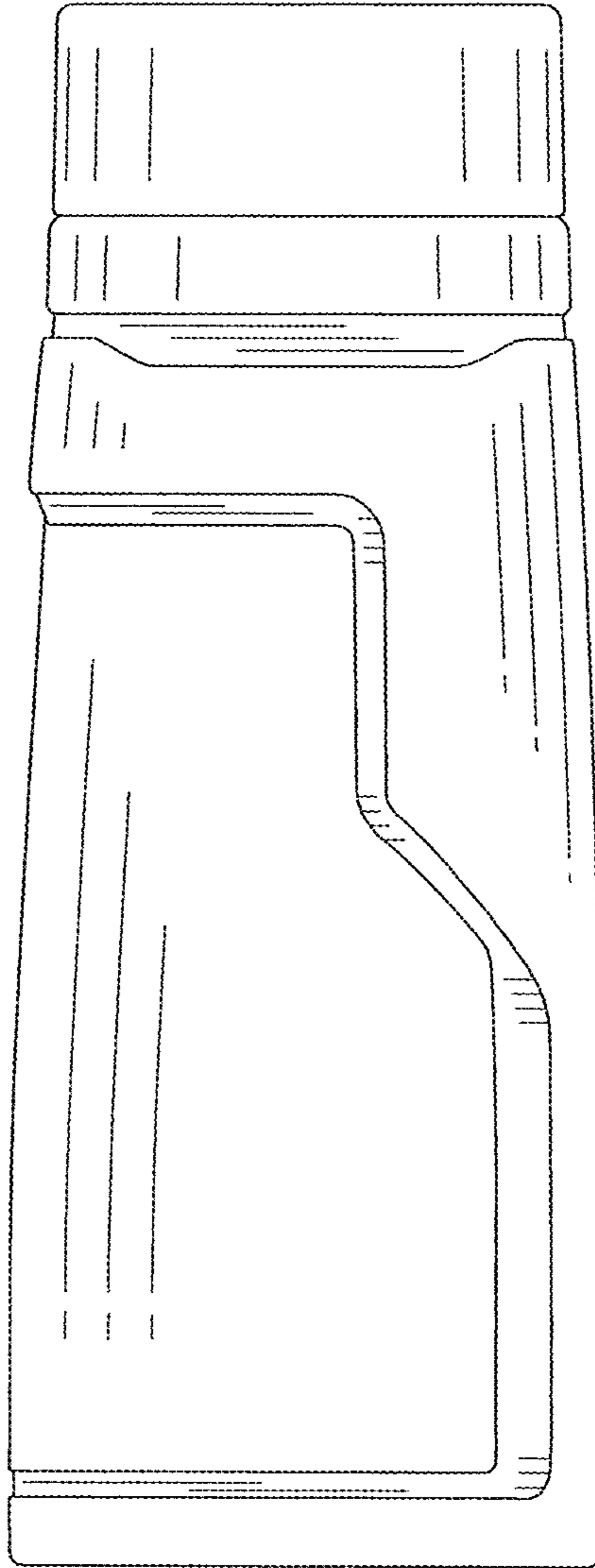


Fig. 7