



US00D896291S

(12) **United States Design Patent**
Xing et al.

(10) **Patent No.:** **US D896,291 S**

(45) **Date of Patent:** **** Sep. 15, 2020**

- (54) **ROBOT**
- (71) Applicant: **UBTECH ROBOTICS CORP LTD,**
Shenzhen (CN)
- (72) Inventors: **Dingkai Xing,** Shenzhen (CN); **Zuyi Mao,** Shenzhen (CN); **Zihong Yao,** Shenzhen (CN); **Youjun Xiong,** Shenzhen (CN)
- (73) Assignee: **UBTECH ROBOTICS CORP LTD,**
Shenzhen (CN)
- (**) Term: **15 Years**
- (21) Appl. No.: **29/696,848**
- (22) Filed: **Jul. 1, 2019**
- (51) **LOC (12) Cl.** **15-99**
- (52) **U.S. Cl.**
USPC **D15/199**
- (58) **Field of Classification Search**
USPC D15/199; D21/578-583, 621, 622
CPC B25J 5/007; B60B 19/006; B62D 57/024;
H01F 7/0221; Y10S 901/01
See application file for complete search history.

- D685,438 S * 7/2013 Fan D21/578
- D701,256 S * 3/2014 Song D15/199
- D710,953 S * 8/2014 Katsutani D21/578
- D822,740 S * 7/2018 Tsai D15/199
- D823,367 S * 7/2018 Tsai D15/199
- D823,917 S * 7/2018 Bernazeau D15/199
- D835,693 S * 12/2018 Lee D15/199
- D836,690 S * 12/2018 Kim D15/199
- D837,854 S * 1/2019 Zhou D15/199
- D842,353 S * 3/2019 Lee D15/199
- D852,861 S * 7/2019 Lee D15/199
- 10,399,616 B2 * 9/2019 Ellerman A63H 33/26
- D866,627 S * 11/2019 Yun D15/199
- D868,907 S * 12/2019 Liu D21/578
- D877,994 S * 3/2020 Kim D32/21
- D879,853 S * 3/2020 Baba D15/199
- D881,250 S * 4/2020 Yao D15/199
- D883,355 S * 5/2020 Greenwalt D15/199
- D884,043 S * 5/2020 Song D15/199
- D885,453 S * 5/2020 Lindegren D15/199
- D890,240 S * 7/2020 Wilson D15/199

(Continued)

Primary Examiner — Patricia A Palasik

(57) **CLAIM**

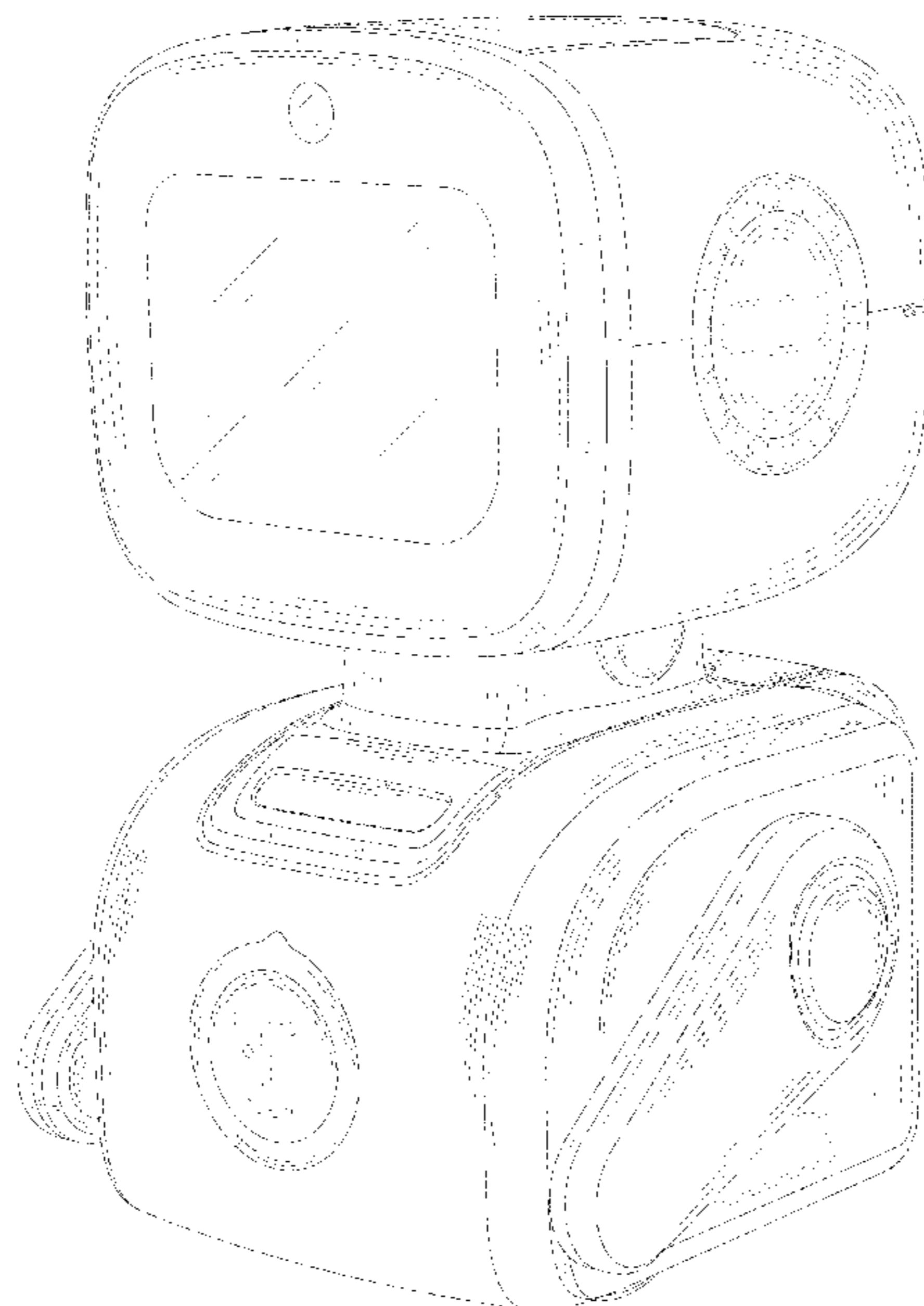
The ornamental design for a robot, as shown and described.

DESCRIPTION

FIG. 1 is a perspective view of a robot showing our new design;
 FIG. 2 is a front elevational view of FIG. 1;
 FIG. 3 is a rear elevational view of FIG. 1;
 FIG. 4 is a left side elevational view of FIG. 1;
 FIG. 5 is a right side elevational view of FIG. 1;
 FIG. 6 is a top plan view of FIG. 1; and,
 FIG. 7 is a bottom plan view of FIG. 1.
 The broken lines in the Figures are for the purpose of illustrating portions of the article that form no part of the claimed design.

1 Claim, 7 Drawing Sheets

- (56) **References Cited**
U.S. PATENT DOCUMENTS
- 3,728,815 A * 4/1973 Tomiyama A63H 11/10
446/291
- D287,986 S * 1/1987 Matsui D21/578
- D290,032 S * 5/1987 Horiuchi D21/578
- D290,146 S * 6/1987 Horiuchi D21/578
- D450,788 S * 11/2001 Kawasaki D21/578
- D579,035 S * 10/2008 Kim B25J 11/008
D15/199
- D635,603 S * 4/2011 Paz Rodriguez D15/199
- D644,256 S * 8/2011 Kitano D15/199
- D663,333 S * 7/2012 Kitano D15/199



(56)

References Cited

U.S. PATENT DOCUMENTS

D891,496 * 7/2020 Okawa D15/199
2015/0224640 A1* 8/2015 Vu B25J 19/023
700/259

* cited by examiner

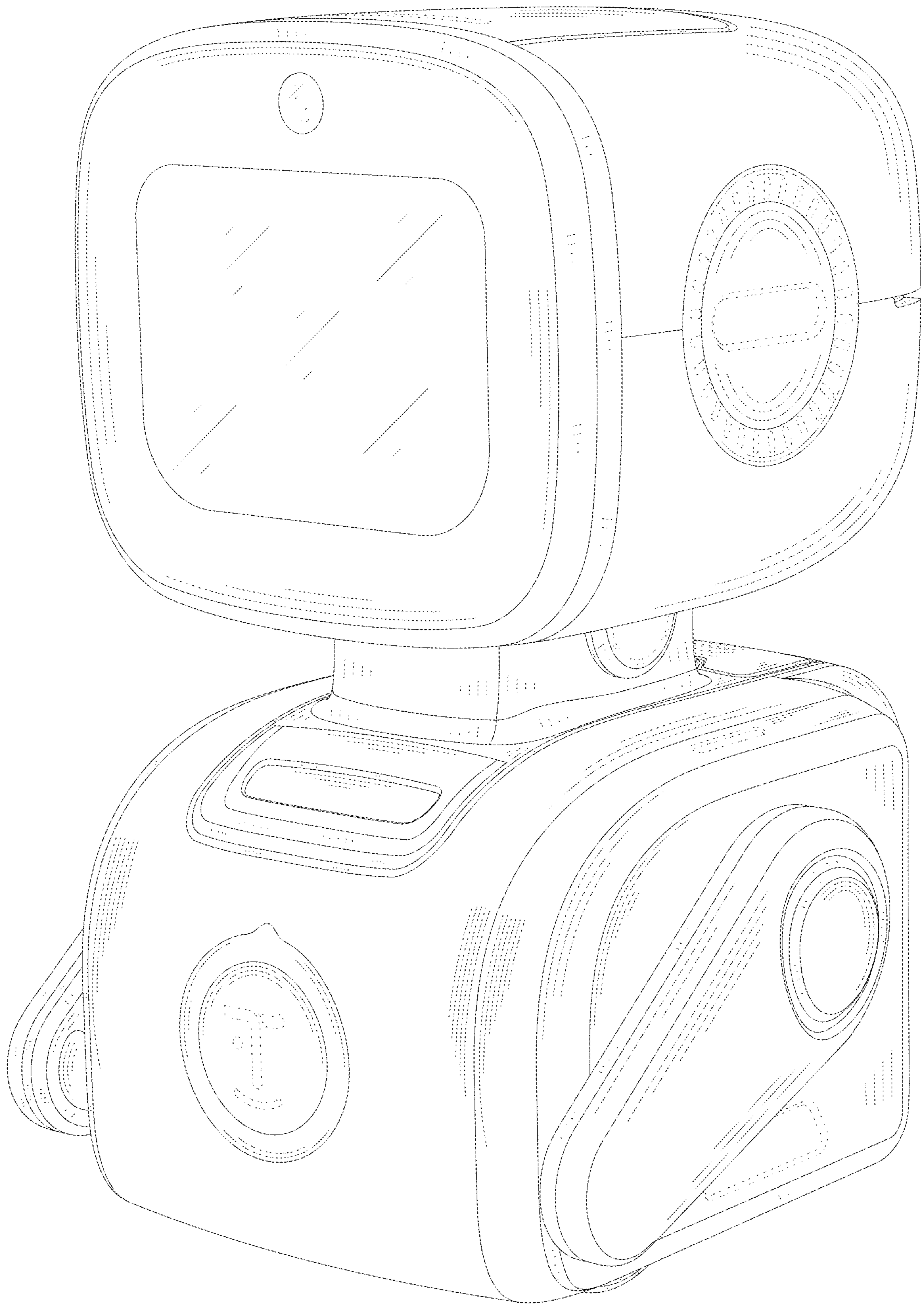


FIG. 1

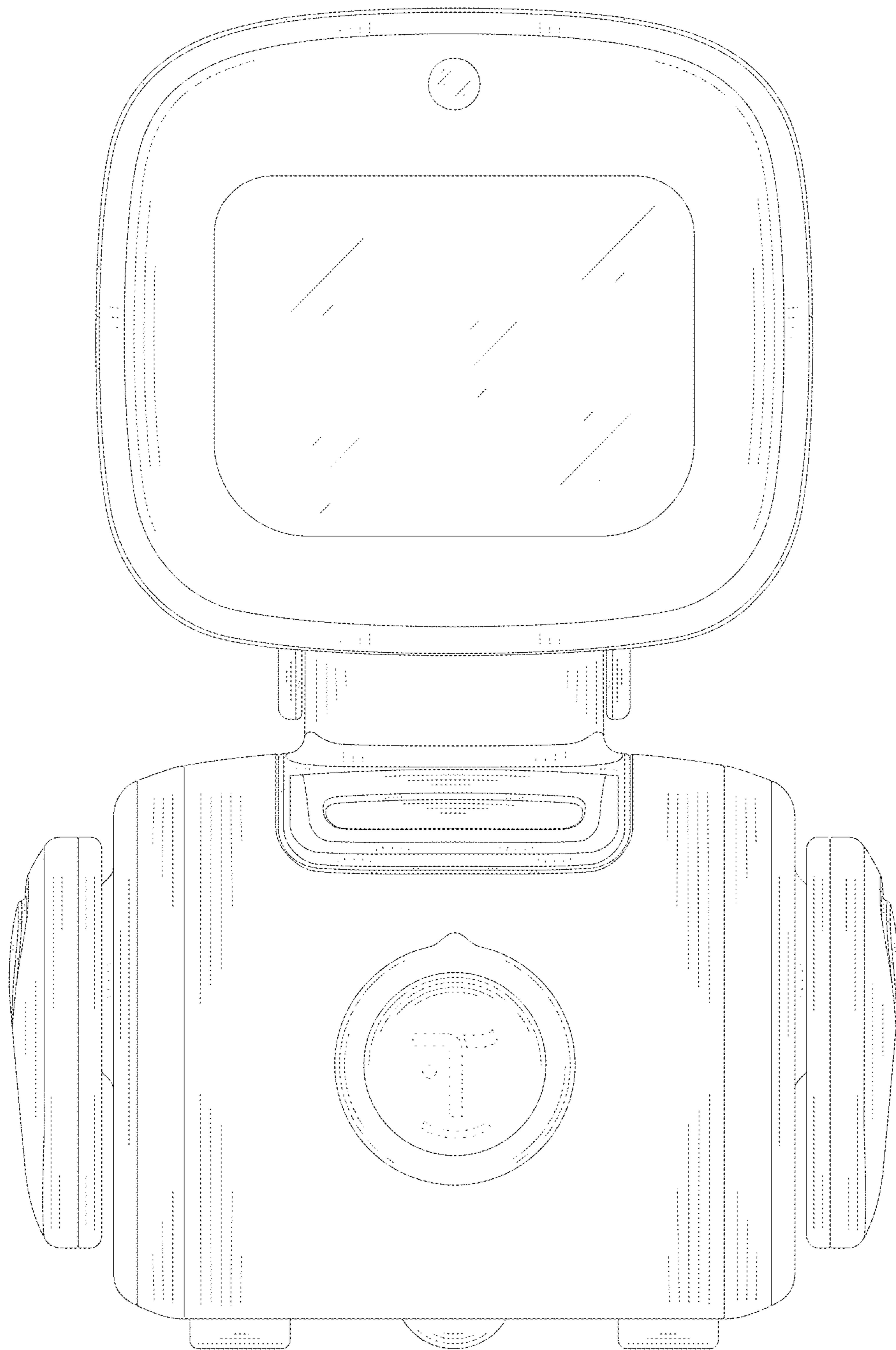


FIG. 2

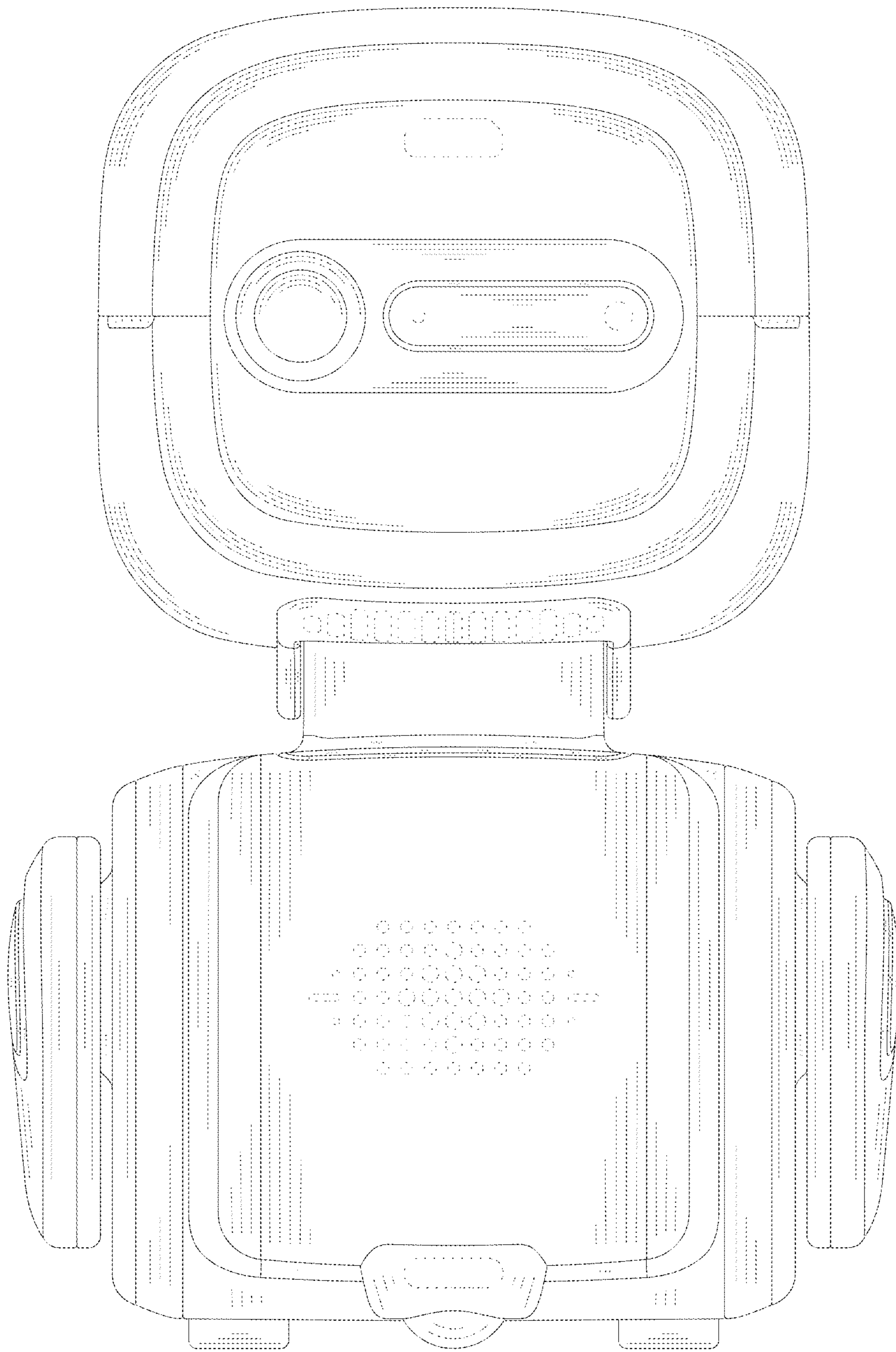


FIG. 3

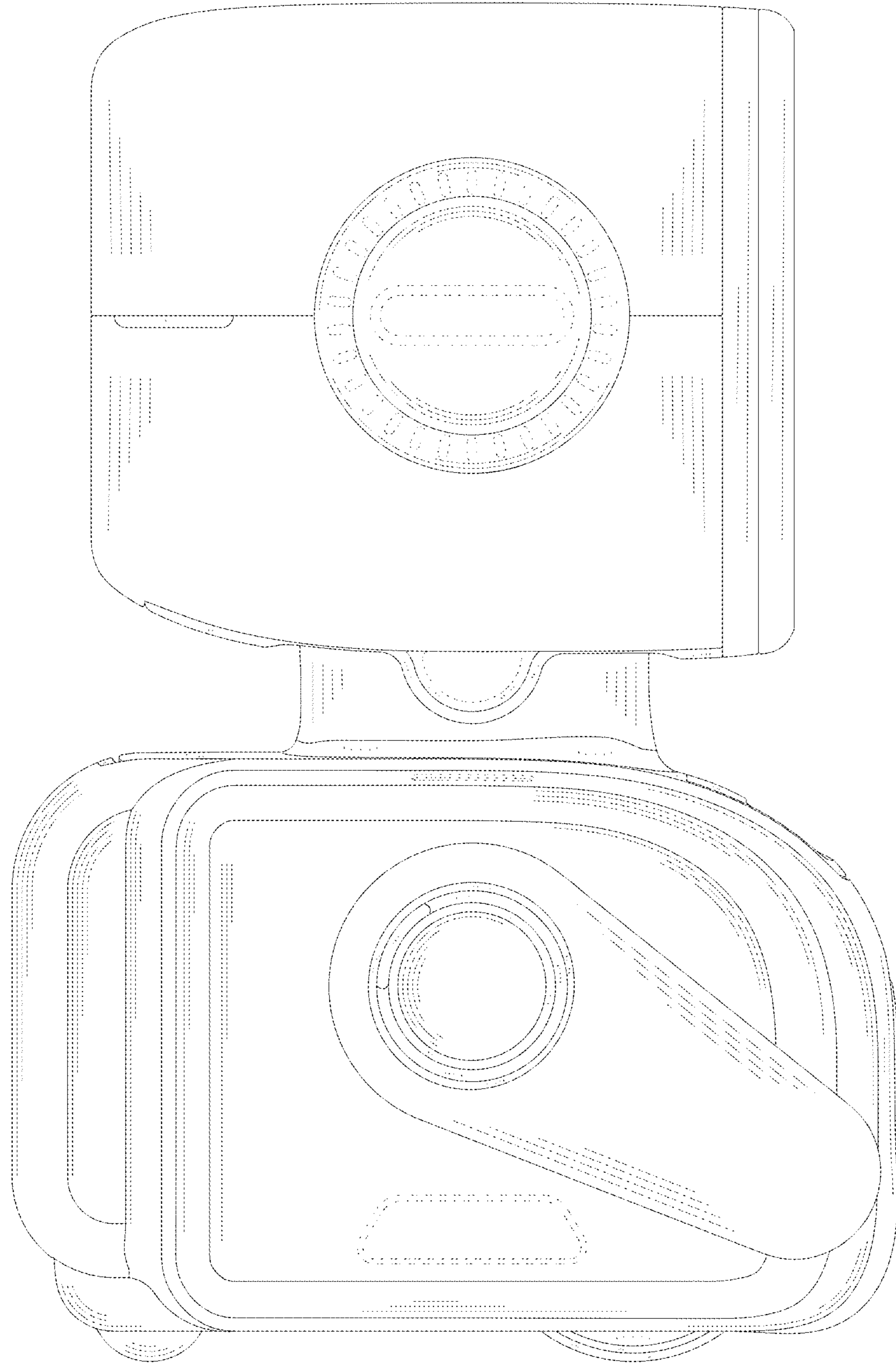


FIG. 4

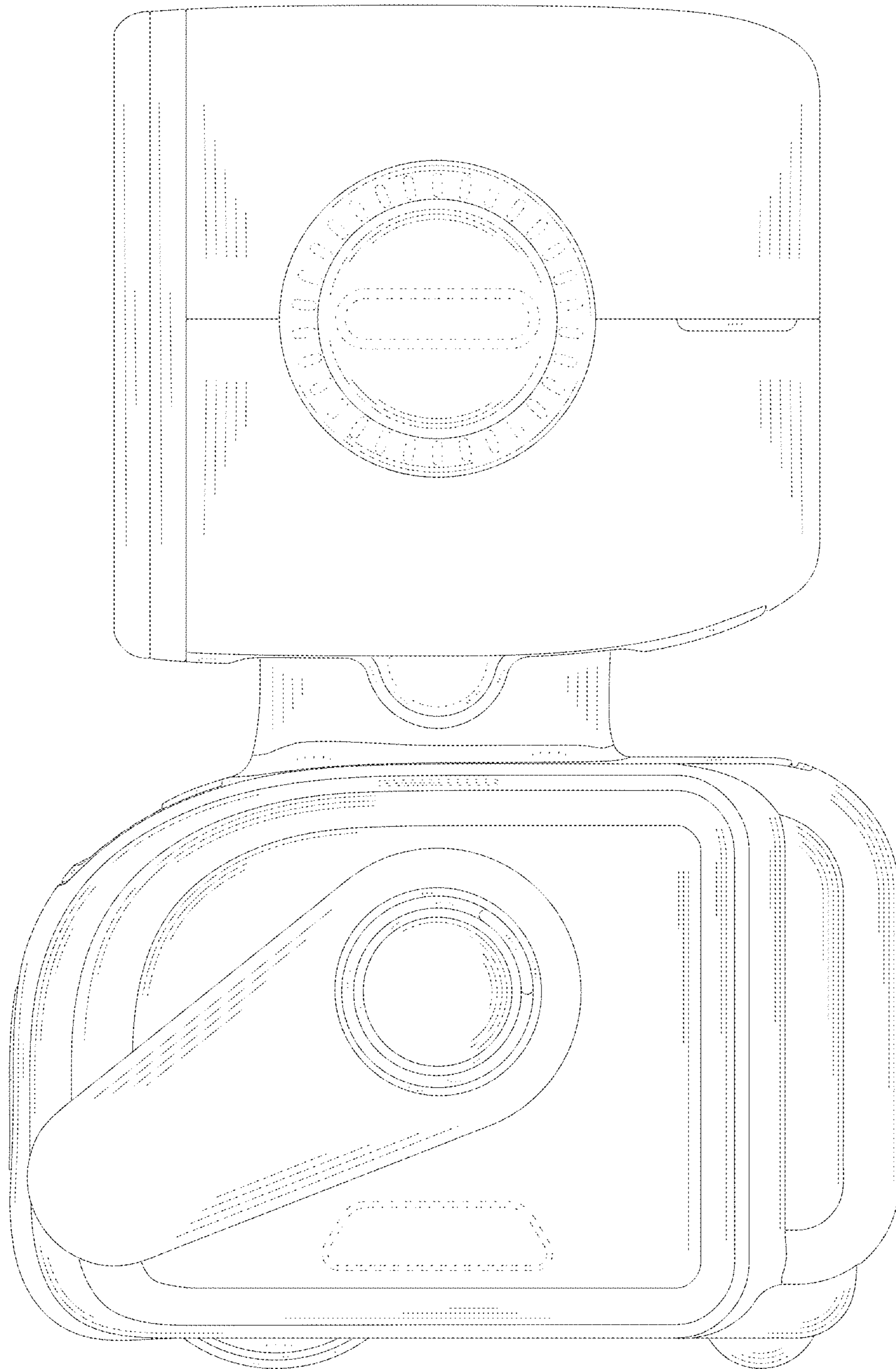


FIG. 5

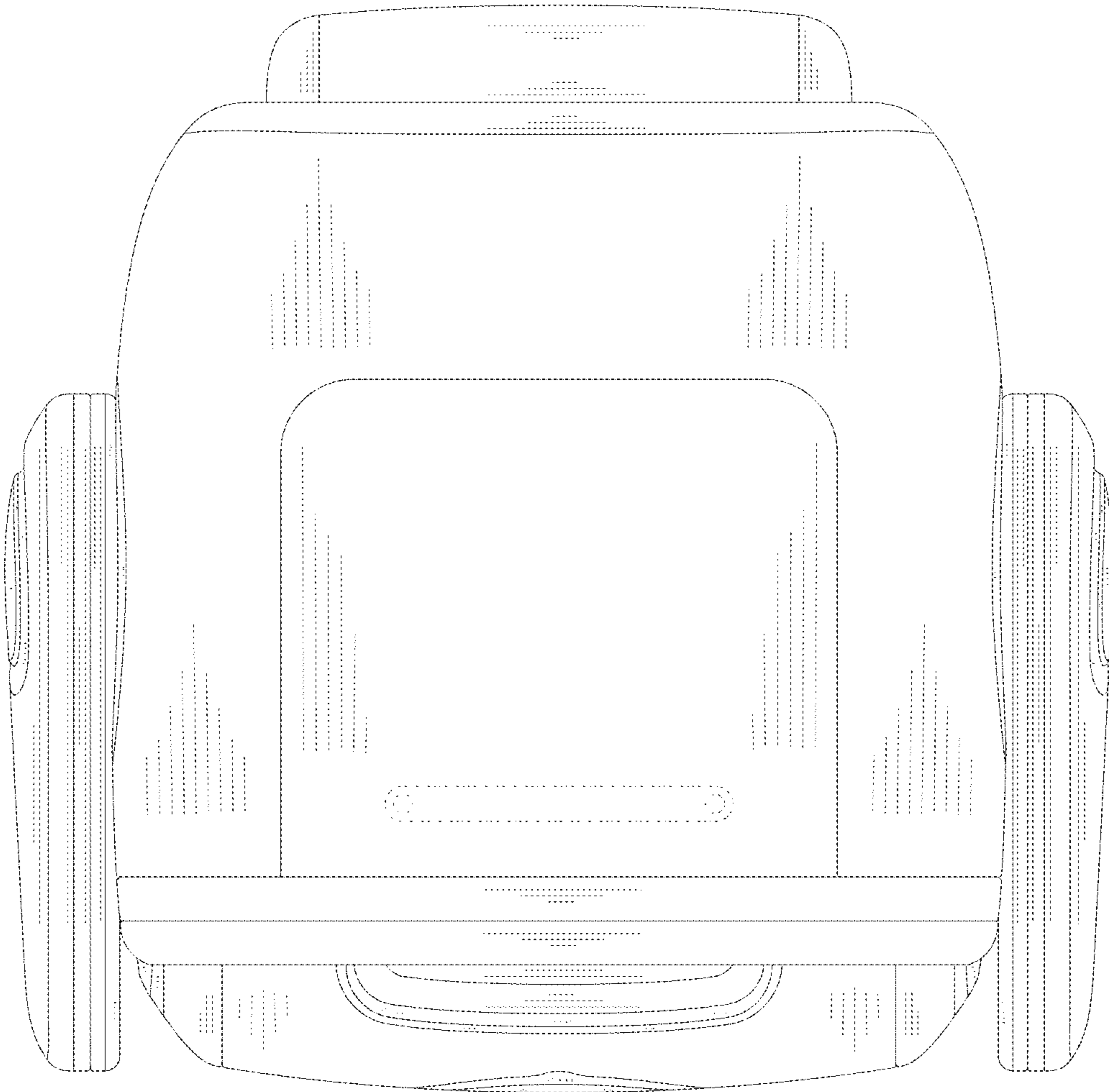


FIG. 6

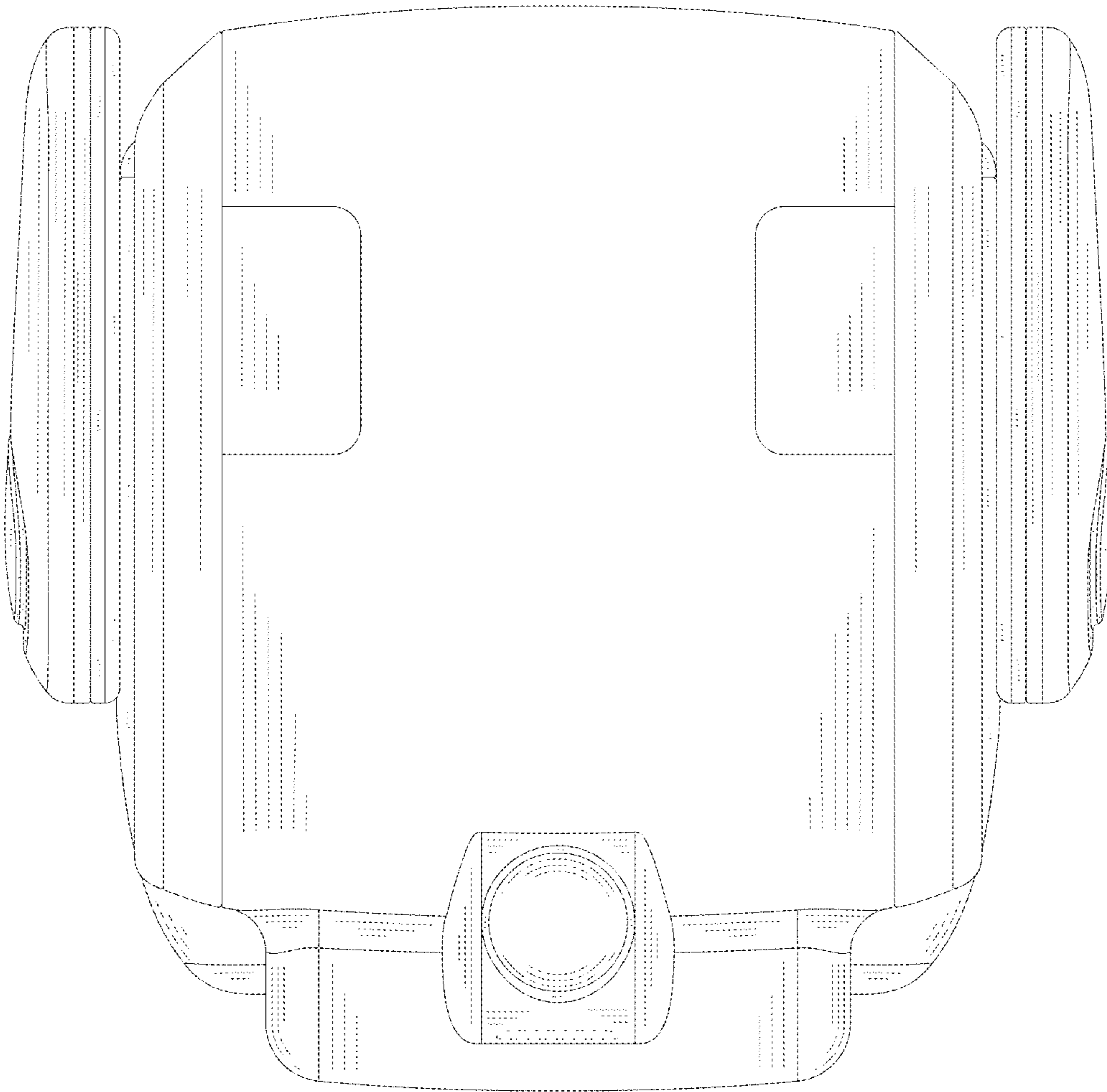


FIG. 7