



US00D896288S

(12) **United States Design Patent**
Jiang et al.

(10) **Patent No.:** **US D896,288 S**
(45) **Date of Patent:** **** Sep. 15, 2020**

(54) **LASER ENGRAVING MACHINE**

FOREIGN PATENT DOCUMENTS

(71) Applicant: **Dongguan Xinja Laser Technology Co., Ltd.**, Dongguan (CN)

CN 304881563 * 11/2018
CN 305707750 * 4/2020

(72) Inventors: **Shuo Jiang**, Dongguan (CN); **Song Wang**, Dongguan (CN)

OTHER PUBLICATIONS

(73) Assignee: **Dongguan Xinja Laser Technology Co., Ltd.**, Dongguan (CN)

DAJALI Off-line Laser Engraving Machine 3000mW Mini Desktop Printer, Earliest available date Feb. 3, 2020 [Online], [Site visited Jun. 26, 2020] Available From Internet, URL: <https://www.gearbest.com/laser-engraving-machine/pp_009556587287.html> (Year: 2020).*

(**) Term: **15 Years**

(Continued)

(21) Appl. No.: **29/678,217**

Primary Examiner — Ian Simmons
Assistant Examiner — Donald B Rose, Jr.

(22) Filed: **Jan. 26, 2019**

(51) **LOC (12) Cl.** **15-09**

(57) **CLAIM**

(52) **U.S. Cl.**

The ornamental design for a laser engraving machine, as shown and described.

USPC **D15/122**; D15/127

(58) **Field of Classification Search**

DESCRIPTION

USPC D15/122, 127, 135, 199; 414/737, 749, 414/750, 751, 752, 753; 273/447; 29/50, 29/563-566, 564.1-564.8; 483/17-57

CPC B23K 26/00; B23K 26/02; B23K 26/706; B33Y 30/00; B29C 67/0085; A63F 9/30; B23Q 11/00; B23Q 11/001; B23Q 3/15713; B23Q 3/15513; B23B 3/16; B23B 3/161; B23B 1/00; B23B 29/26; B23B 3/06; B23B 3/065

See application file for complete search history.

FIG. 1 is a first perspective view of a laser engraving machine showing our new design;
FIG. 2 is a second perspective view thereof;
FIG. 3 is a third perspective view thereof;
FIG. 4 is a front elevational view thereof;
FIG. 5 is a rear elevational view thereof;
FIG. 6 is a left elevational view thereof;
FIG. 7 is a right elevational view thereof;
FIG. 8 is a top plan view thereof;
FIG. 9 is a bottom plan view thereof;
FIG. 10 is an enlarged view of a part showing the number ten in FIG. 1;
FIG. 11 is an enlarged view of a part showing the number eleven in FIG. 2; and,
FIG. 12 is an enlarged view of a part showing the number twelve in FIG. 3.
The broken lines in the drawings are included for the purpose of illustrating portions of the article which form no part of the claimed design.

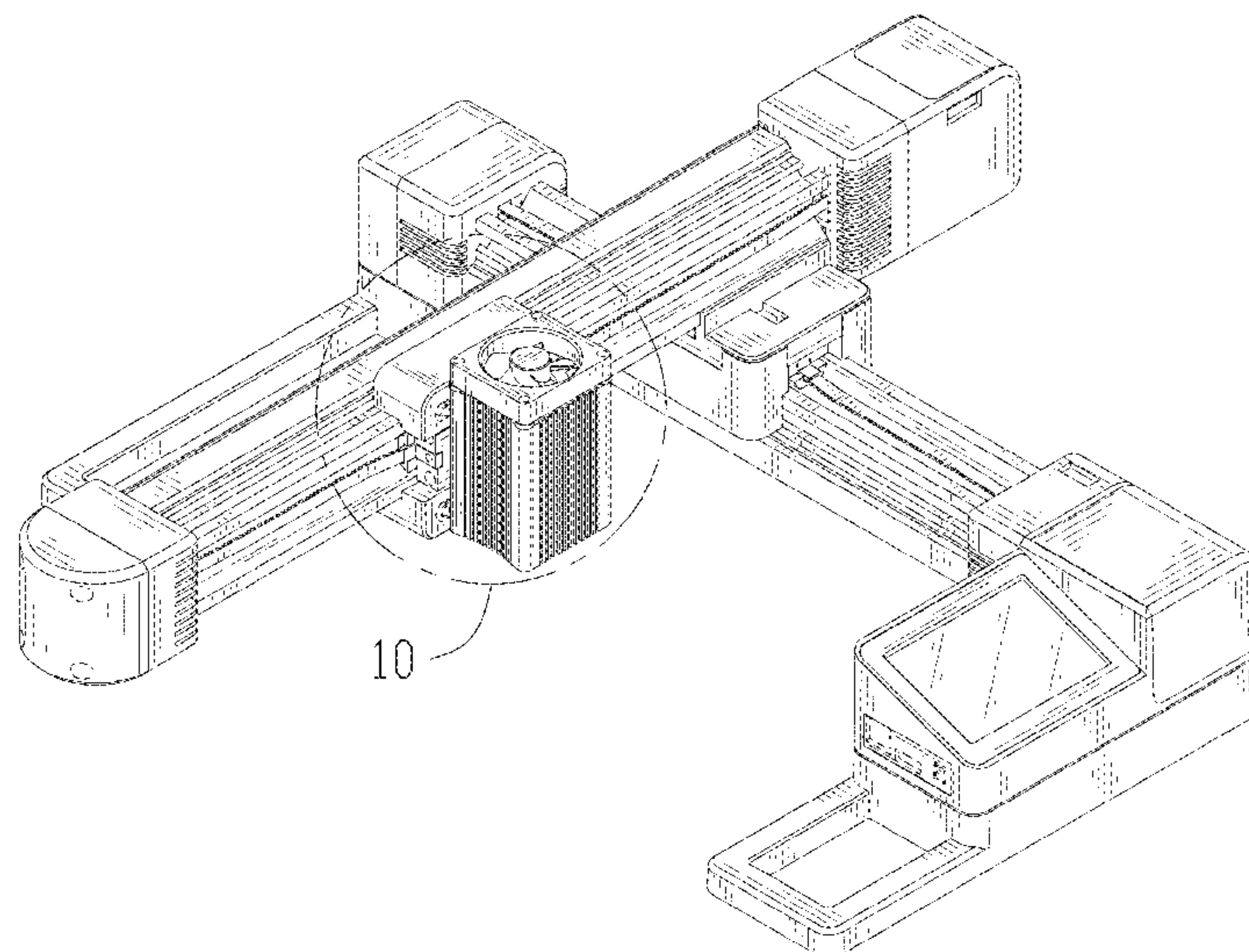
(56) **References Cited**

U.S. PATENT DOCUMENTS

D289,406 S *	4/1987	Shibayama	D15/122
D289,407 S *	4/1987	Shibayama	D15/122
D292,001 S *	9/1987	Imaizumi	D15/122
D292,002 S *	9/1987	Shibayama	D15/122
D292,003 S *	9/1987	Imaizumi	D15/122
D300,637 S *	4/1989	Kagayama	D15/122
D603,430 S *	11/2009	Masauji	D15/122

(Continued)

1 Claim, 12 Drawing Sheets



(56)

References Cited

U.S. PATENT DOCUMENTS

D603,431 S * 11/2009 Masauji D15/122
D786,950 S * 5/2017 Armani D15/122
D870,166 S * 12/2019 Gallo D15/127
D872,140 S * 1/2020 Palmeter D15/122
2019/0224798 A1 * 7/2019 Chepurny B23K 37/0235

OTHER PUBLICATIONS

Ortur Laser Master Laser Engraver 7000mW Portable Laser Engraving Machine Mini Carver, Earliest available date Jan. 12, 2020 [Online], [Site visited Jun. 26, 2020] Available From Internet, URL:<<https://www.amazon.com/Engraver-Portable-Engraving-Machine-160x150mm/dp/B083S7QV3C>> (Year: 2020).*

* cited by examiner

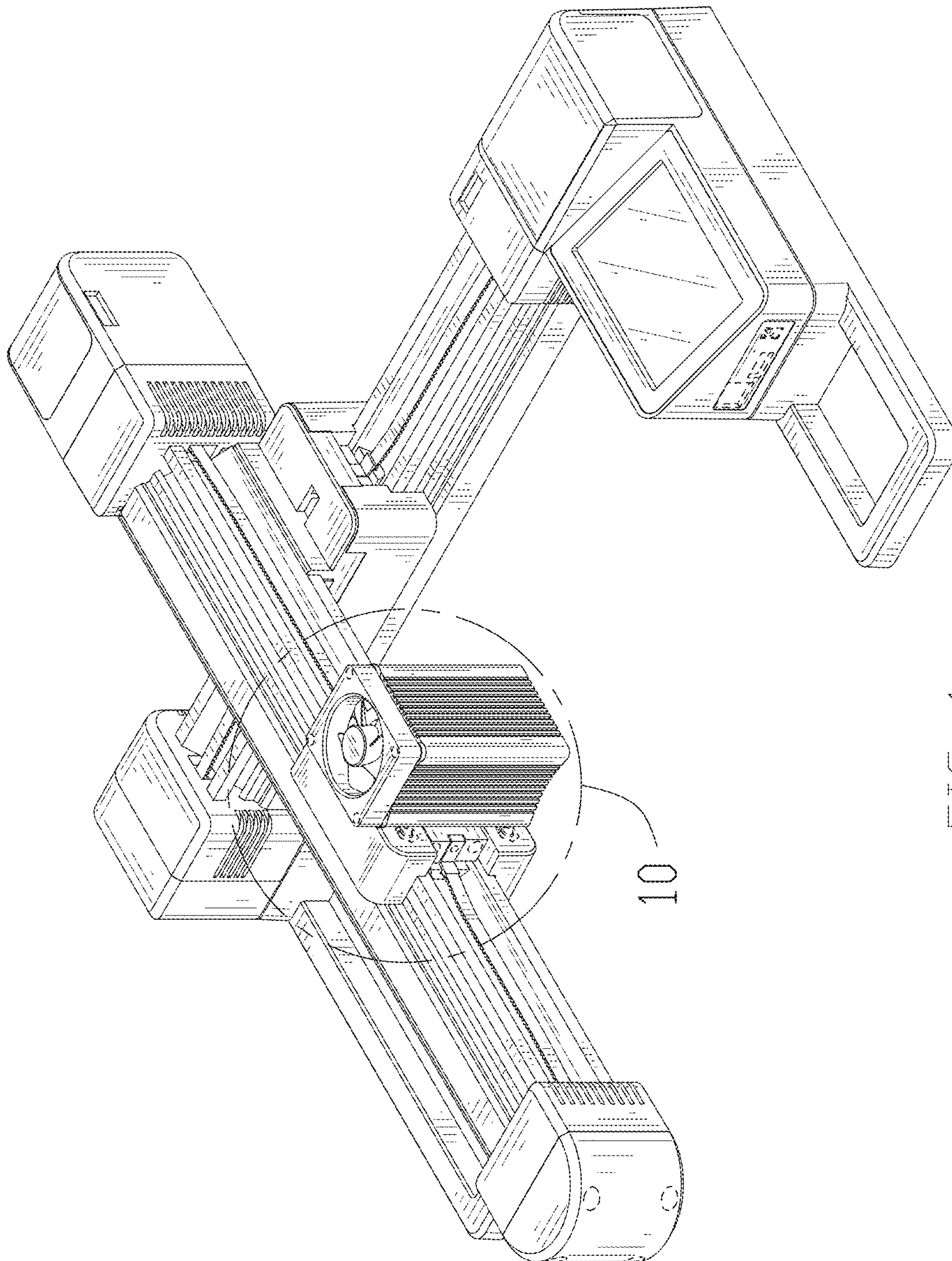


FIG. 1

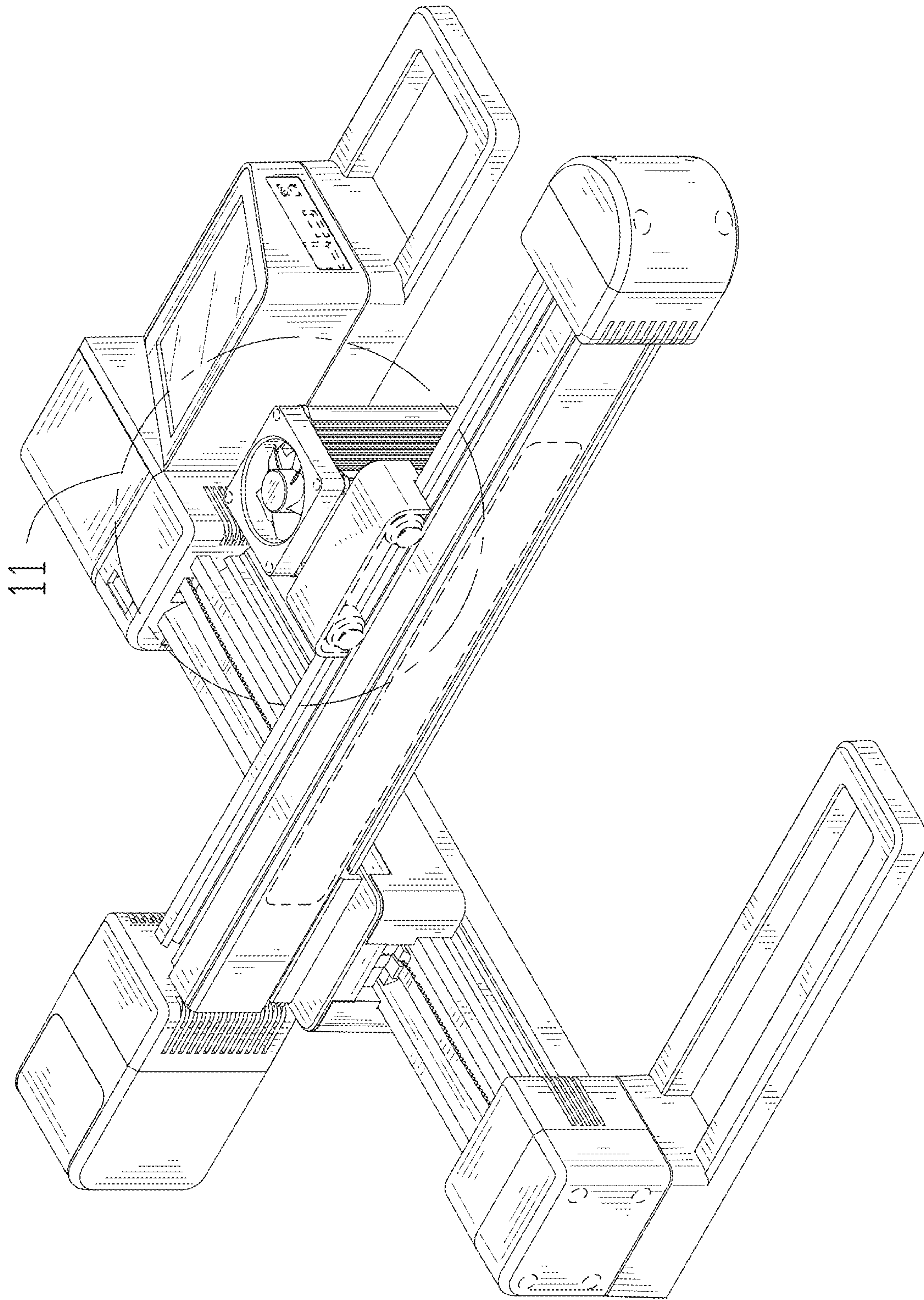


FIG. 2

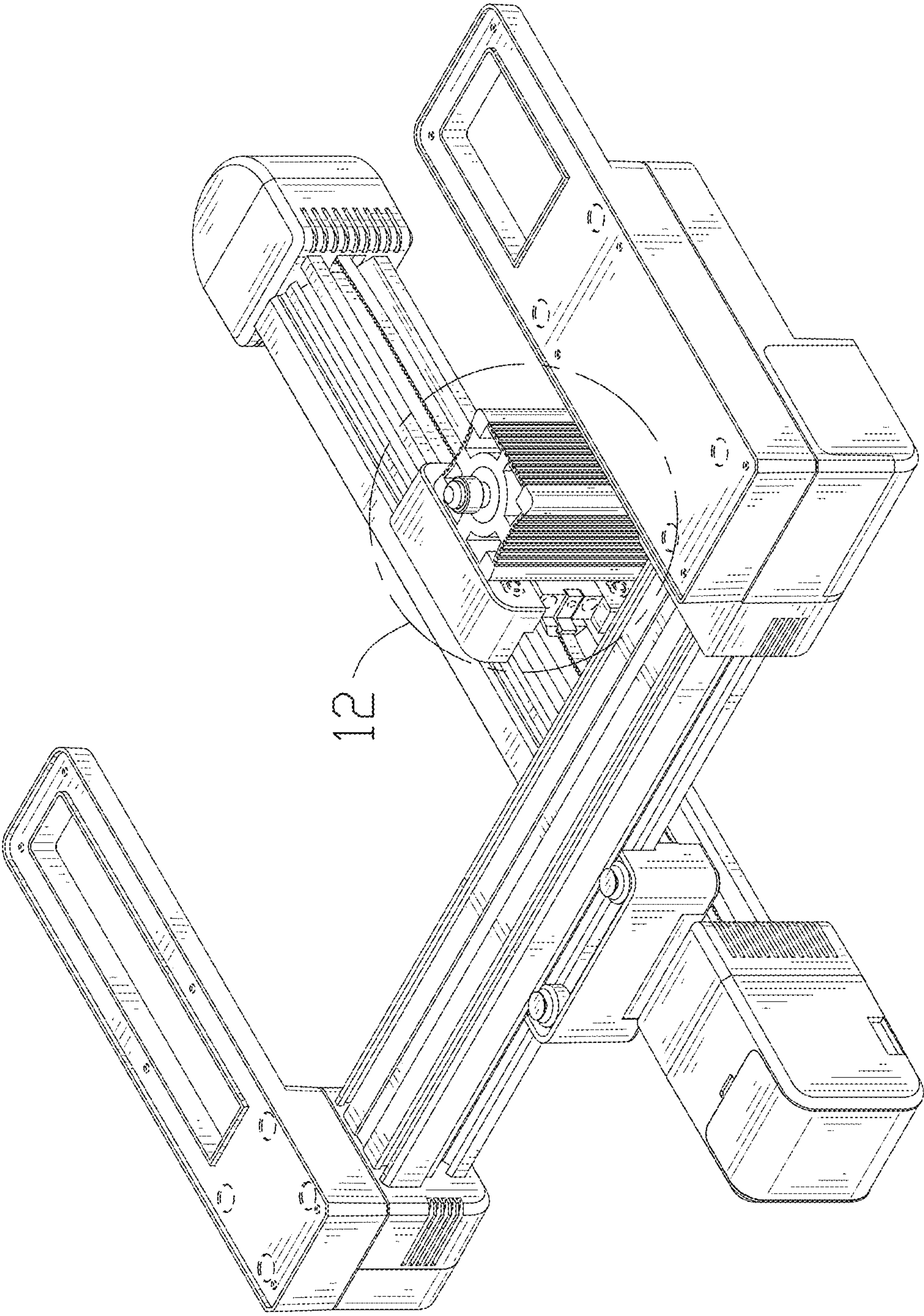


FIG. 3

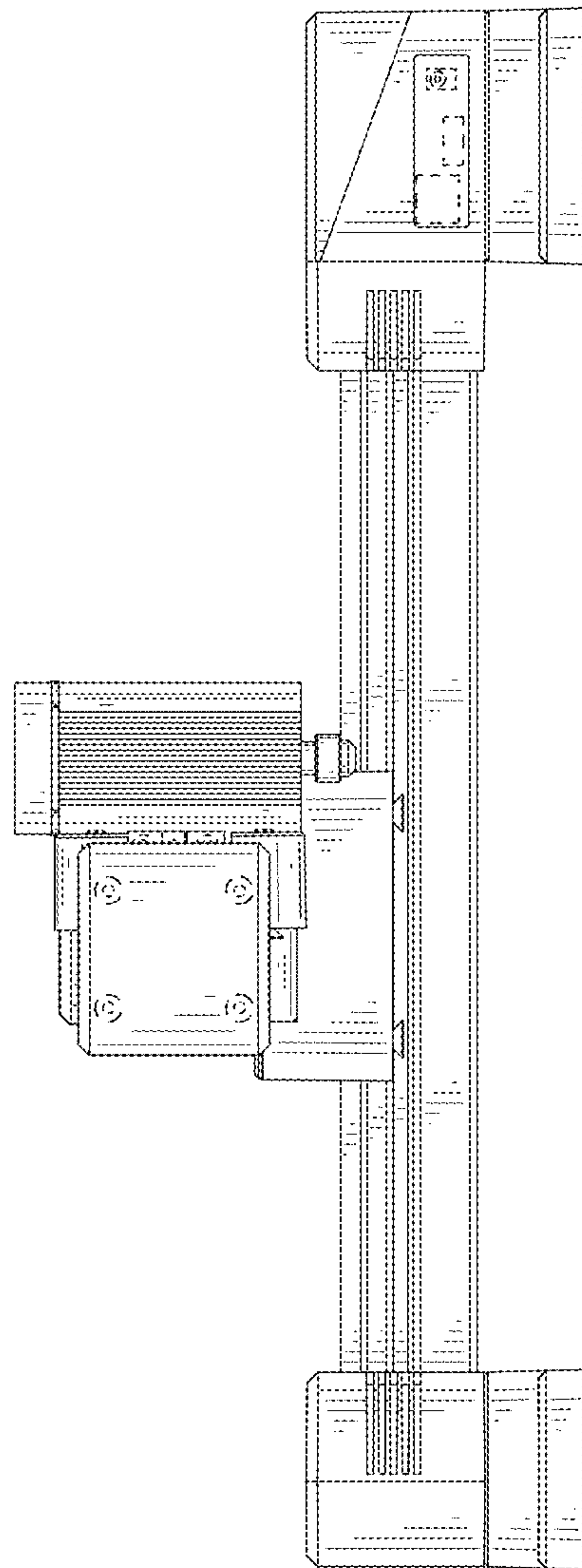


FIG. 4

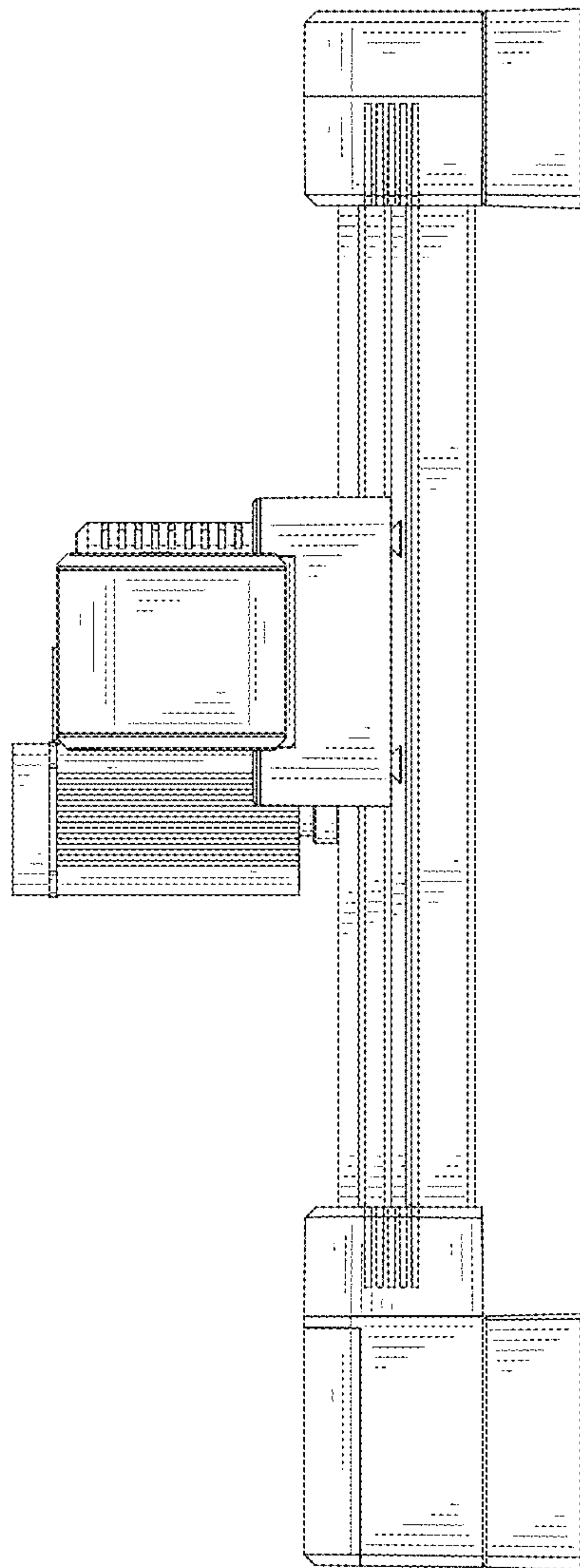


FIG. 5

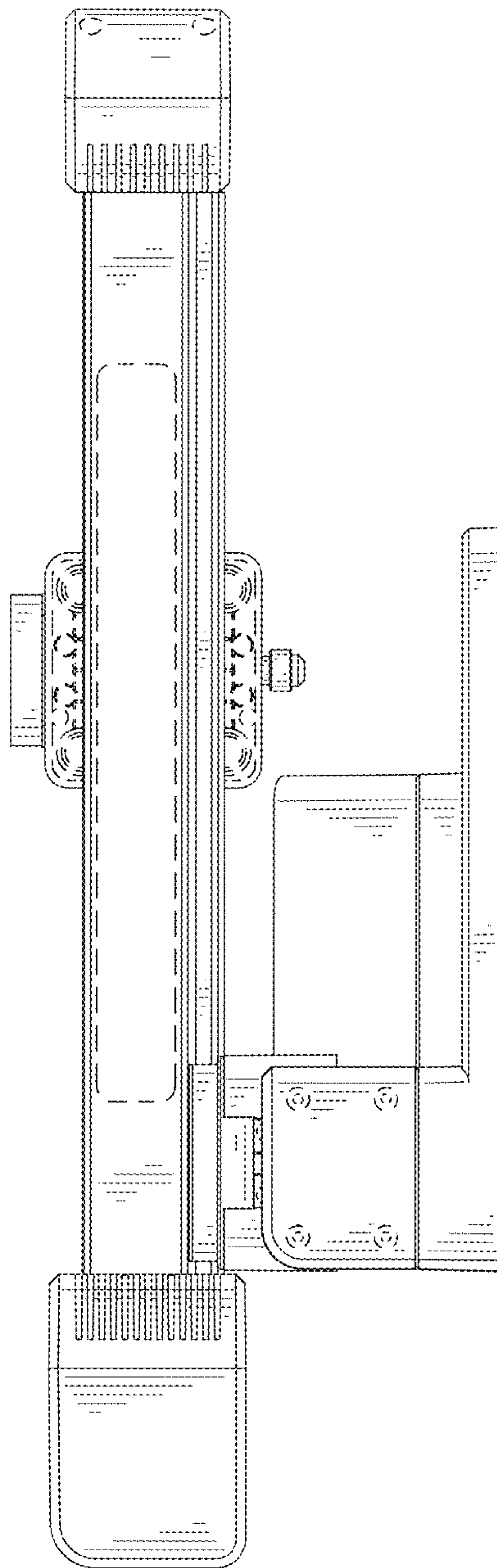


FIG. 6

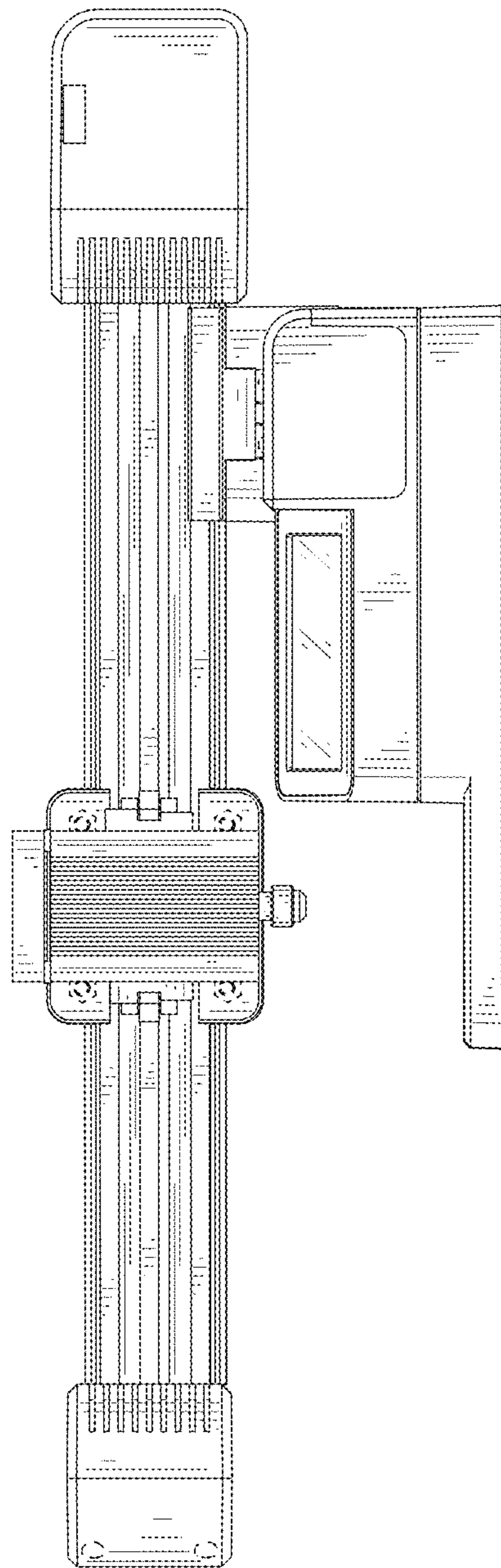


FIG. 7

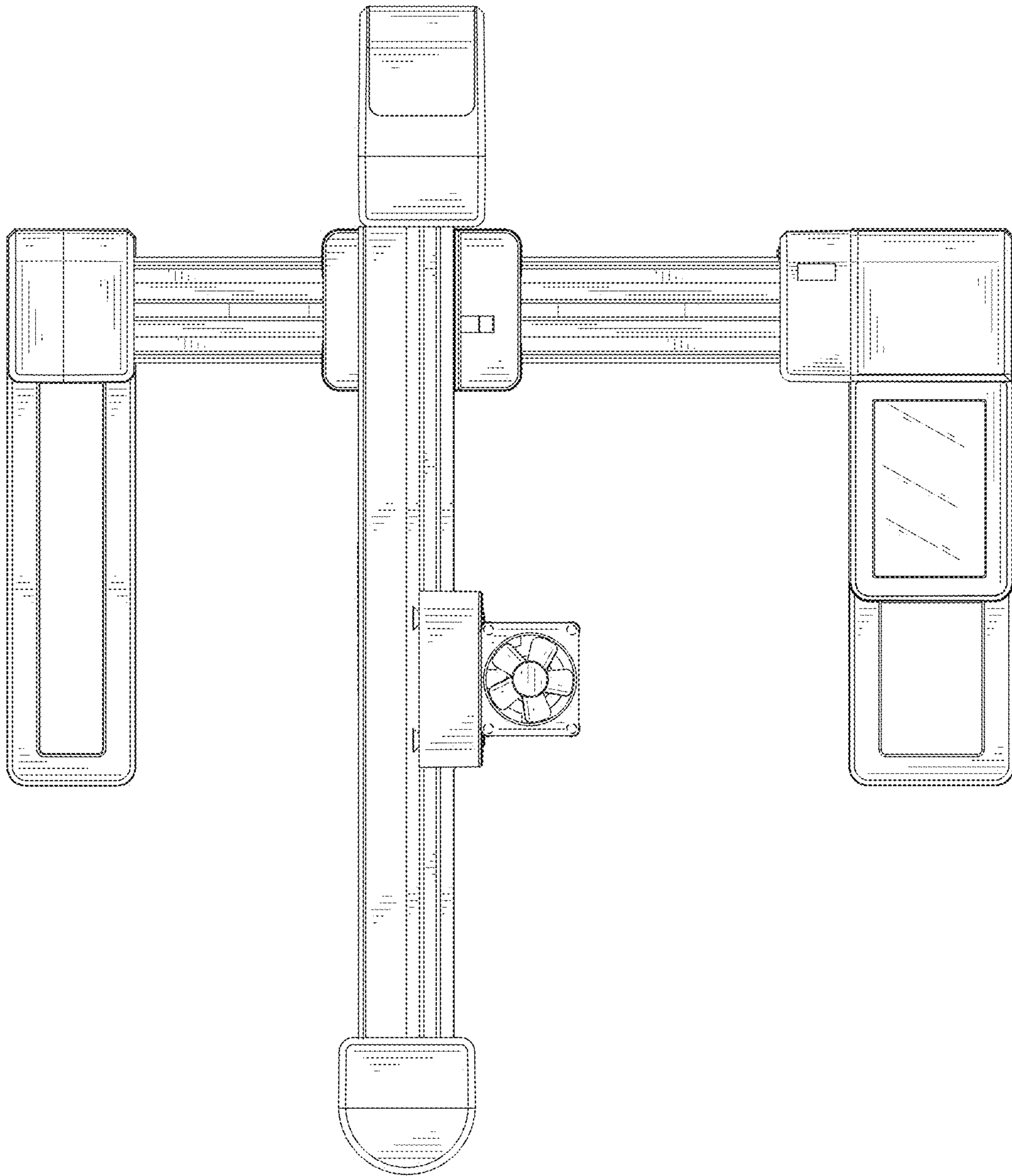


FIG. 8

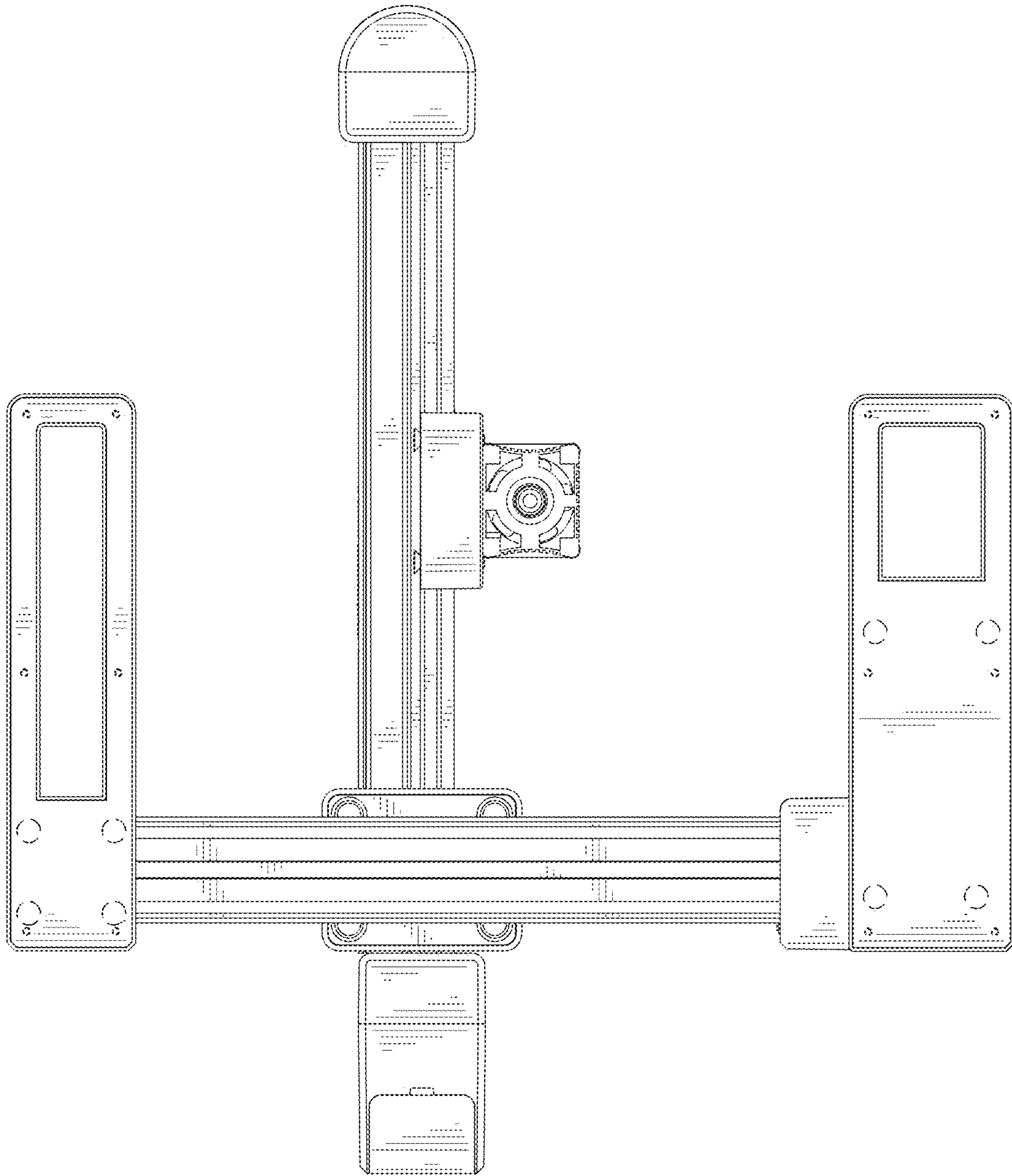


FIG. 9

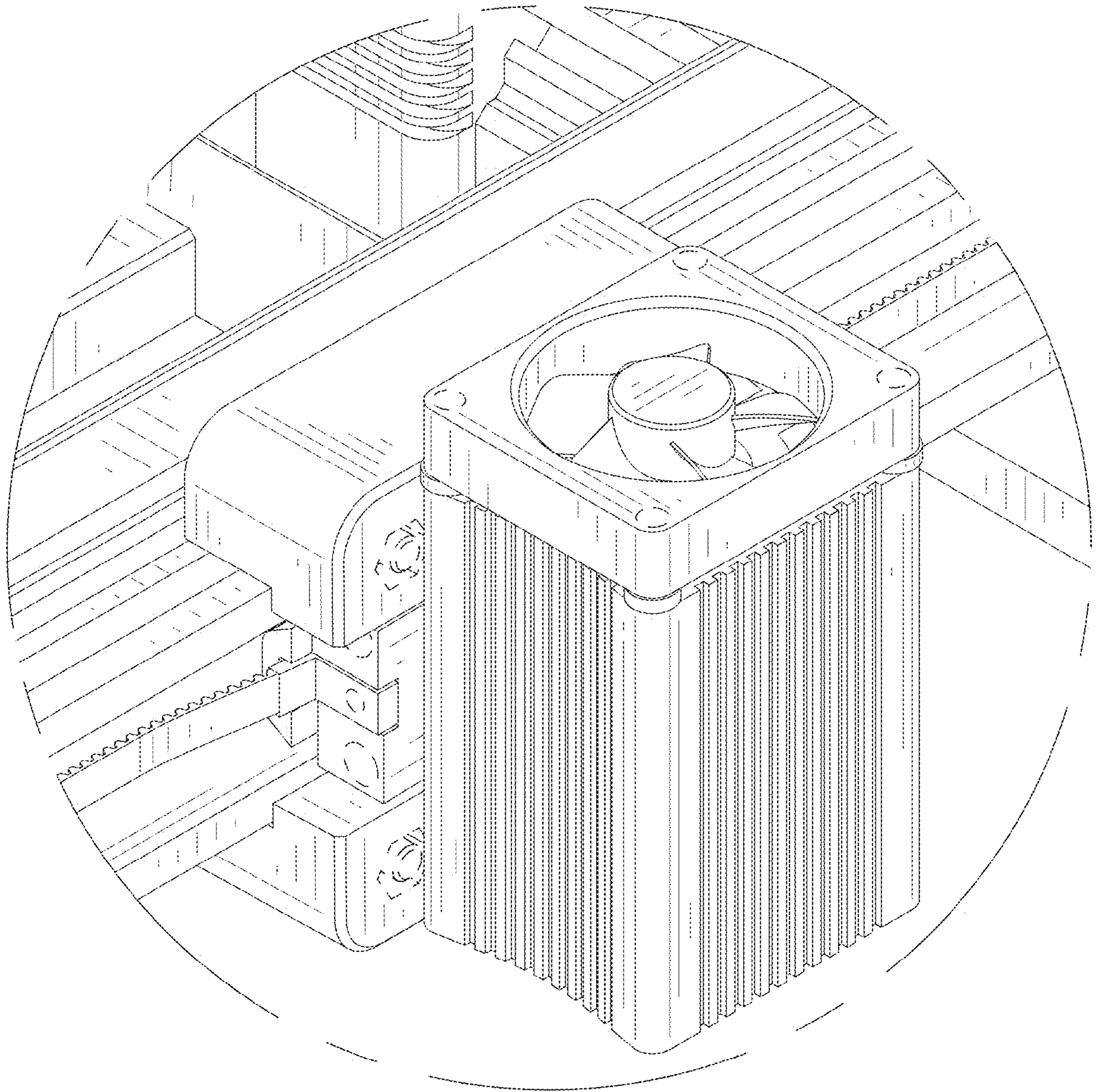


FIG. 10

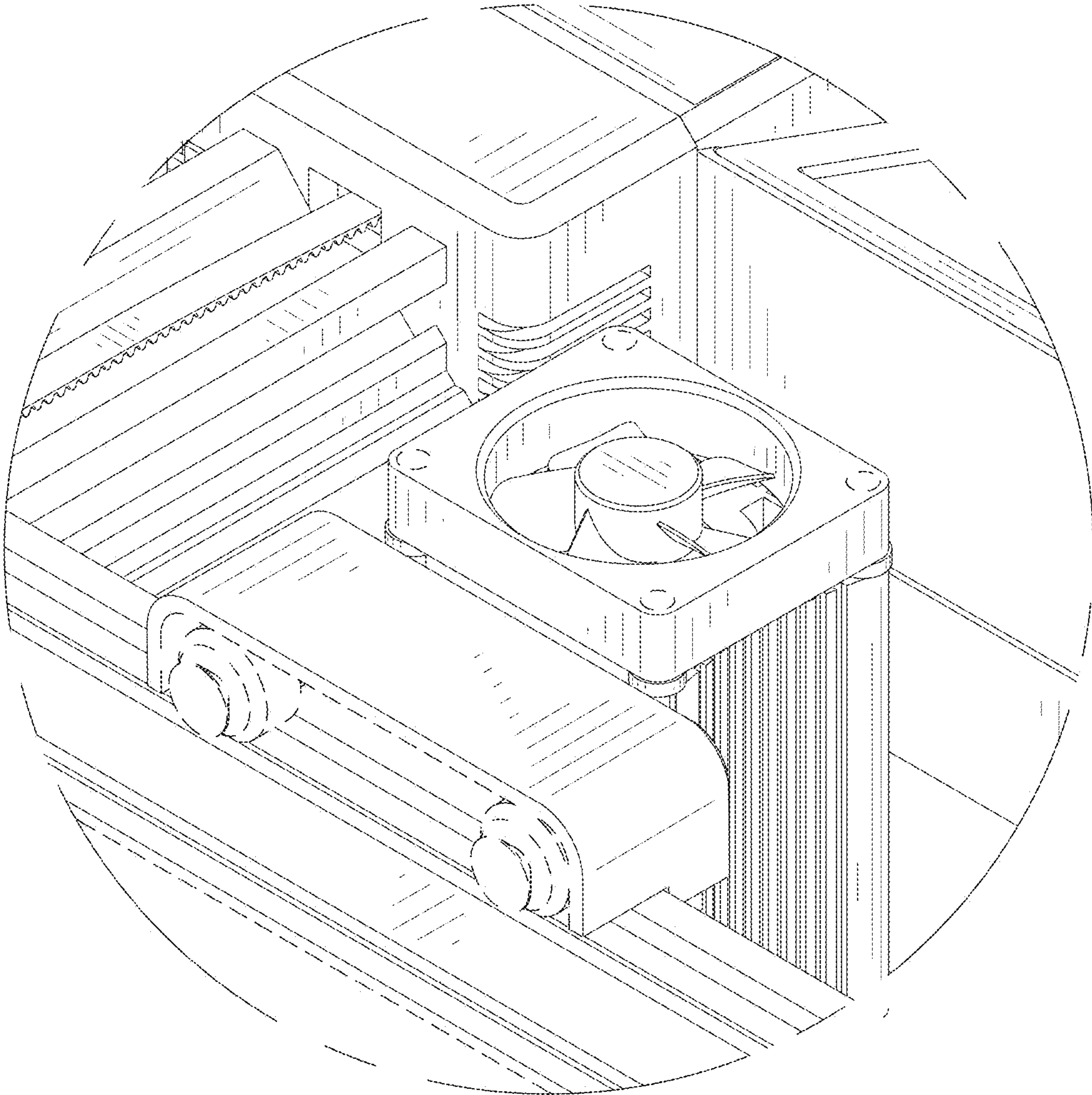


FIG. 11

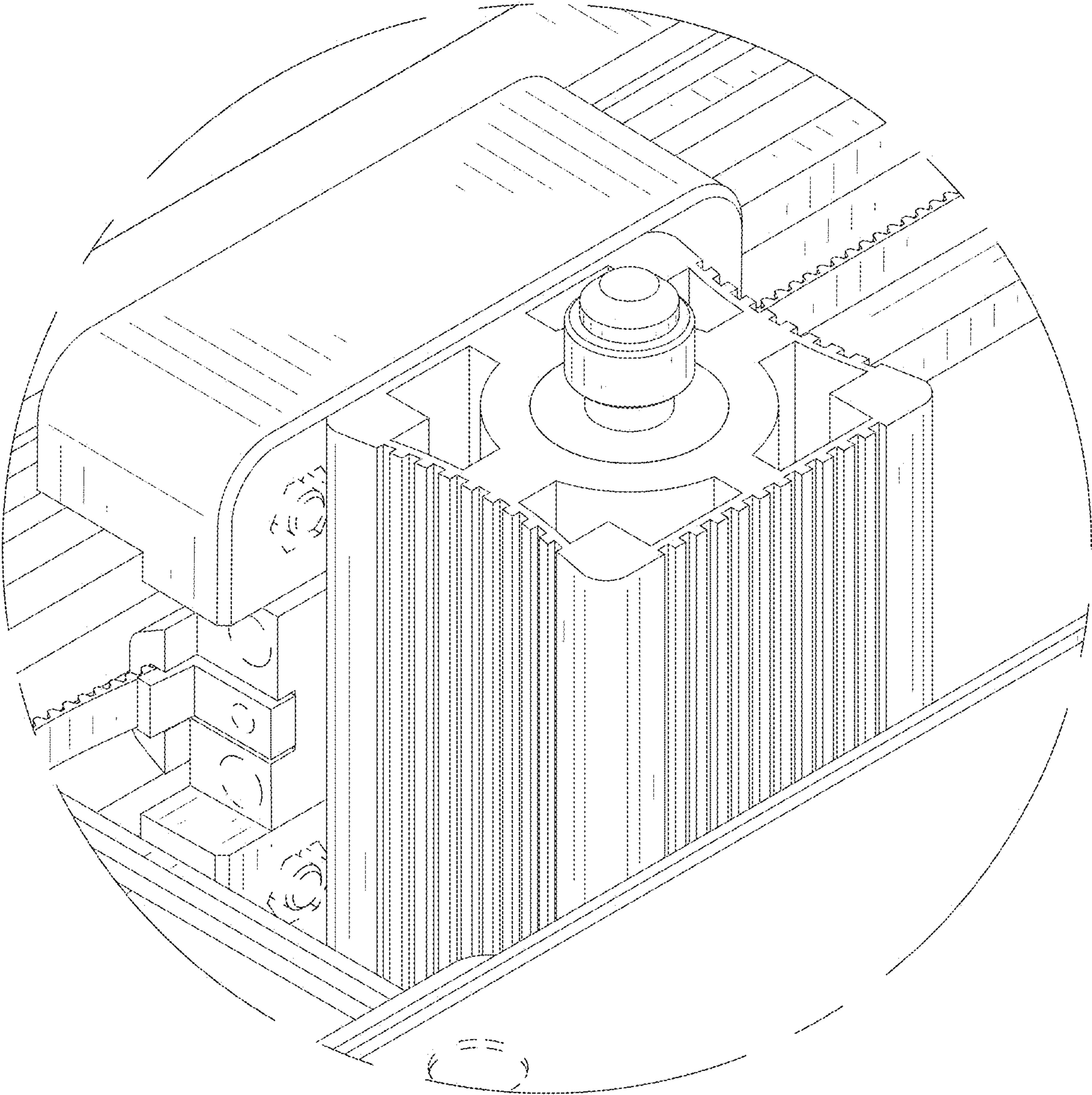


FIG. 12