

US00D896287S

(12) **United States Design Patent**
Udipi et al.

(10) **Patent No.:** **US D896,287 S**

(45) **Date of Patent:** **** Sep. 15, 2020**

(54) **TRACTION MOTOR BOOT MOUNT**

(71) Applicant: **Transportation IP Holdings, LLC,**
Norwalk, CT (US)

(72) Inventors: **Rajesh Udipi**, Bangalore (IN); **Anatoly Kvasnikov**, Moscow (RU); **Ilya Ilyich Prosin**, Moscow (RU)

(73) Assignee: **TRANSPORTATION IP HOLDINGS, LLC**, Norwalk, CT (US)

(**) Term: **15 Years**

(21) Appl. No.: **29/716,488**

(22) Filed: **Dec. 10, 2019**

Related U.S. Application Data

(62) Division of application No. 29/563,964, filed on May 10, 2016, now Pat. No. Des. 873,303.

(51) **LOC (12) Cl.** **15-03**

(52) **U.S. Cl.**
USPC **D15/28; D12/45**

(58) **Field of Classification Search**
USPC D15/10, 28; D12/42, 43, 45, 51
CPC B61F 5/02; B61F 5/10
See application file for complete search history.

(56) **References Cited**

U.S. PATENT DOCUMENTS

D22,488 S 5/1893 Brill
D22,490 S 5/1893 Brill

D25,101 S 1/1896 Adams
D32,546 S 4/1900 Coller et al.
3,961,582 A 6/1976 Paton et al.
D22,966 S 12/1983 Drill
D873,303 S * 1/2020 Udipi D15/28
2005/0005815 A1 1/2005 Forbes et al.

* cited by examiner

Primary Examiner — Mark A Goodwin

(74) *Attorney, Agent, or Firm* — McCoy Russell LLP

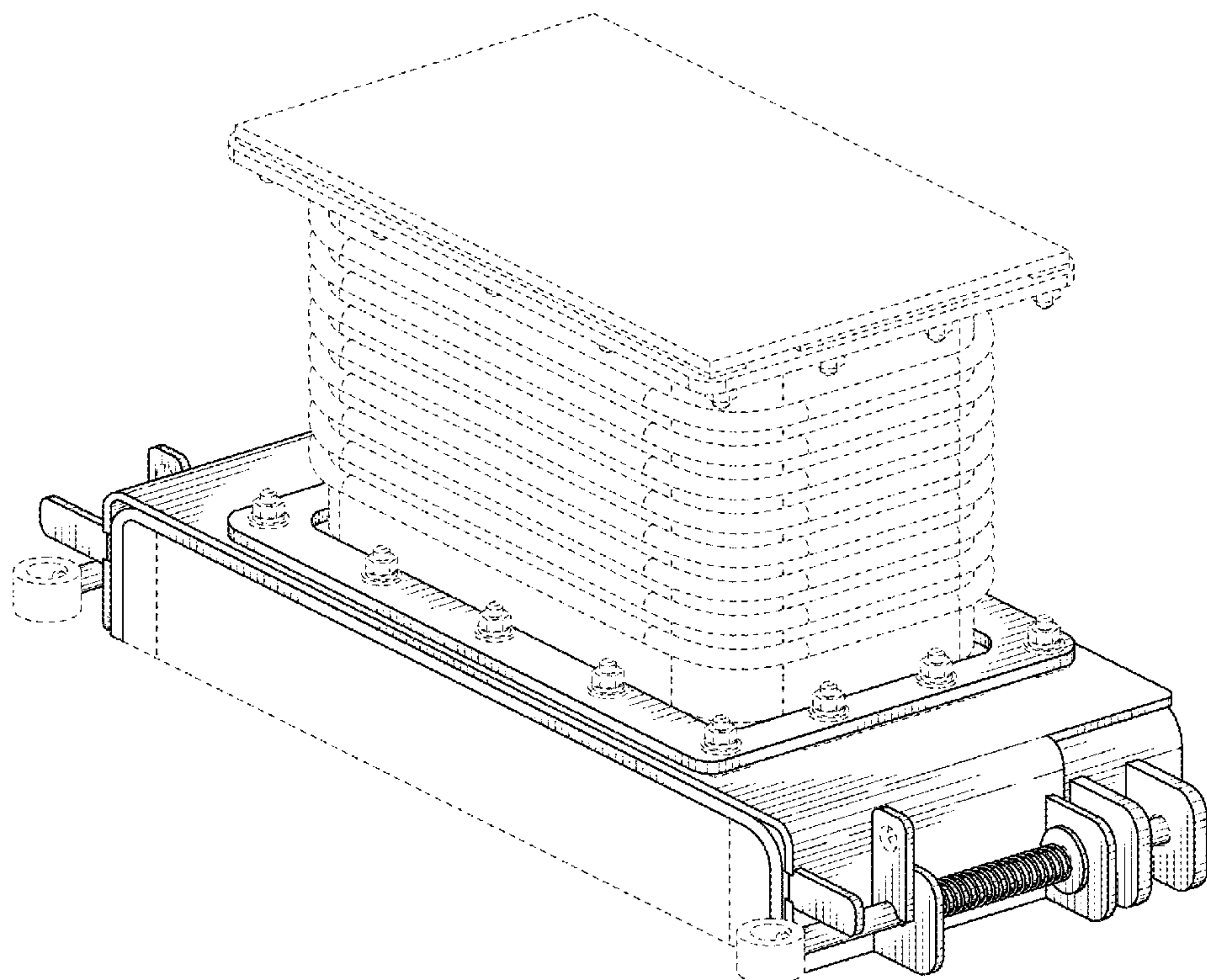
(57) **CLAIM**

The ornamental design for a traction motor boot mount, as shown and described.

DESCRIPTION

FIG. 1 is a perspective view of a traction motor boot mount showing our new design;
FIG. 2 is a first side view thereof;
FIG. 3 is a second side view thereof;
FIG. 4 is a first end view thereof;
FIG. 5 is a second end view thereof;
FIG. 6 is a top view thereof; and,
FIG. 7 is a bottom view thereof.
The broken line portion of the figure drawings is included to show unclaimed subject matter only and forms no part of the claimed design.

1 Claim, 6 Drawing Sheets



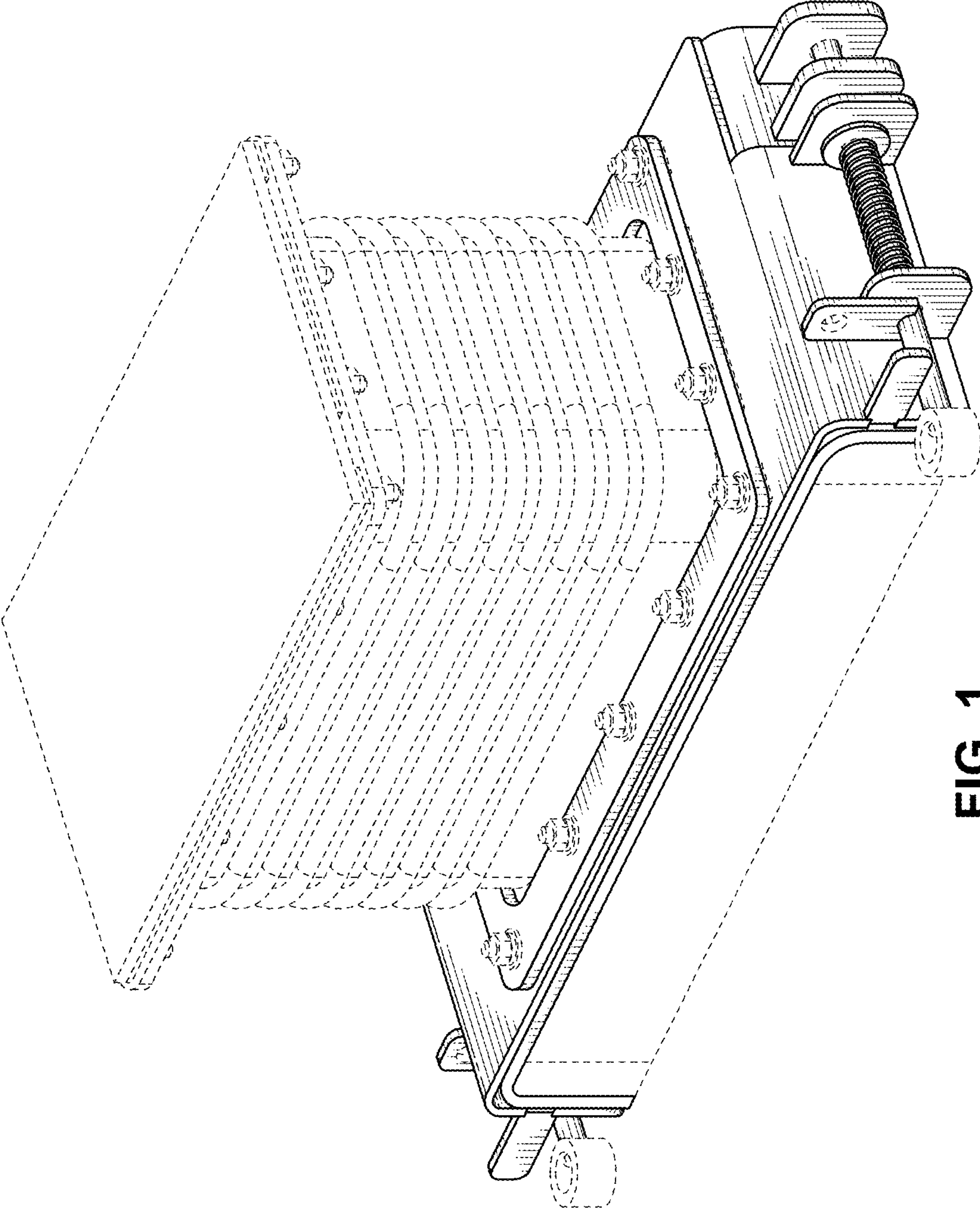


FIG. 1

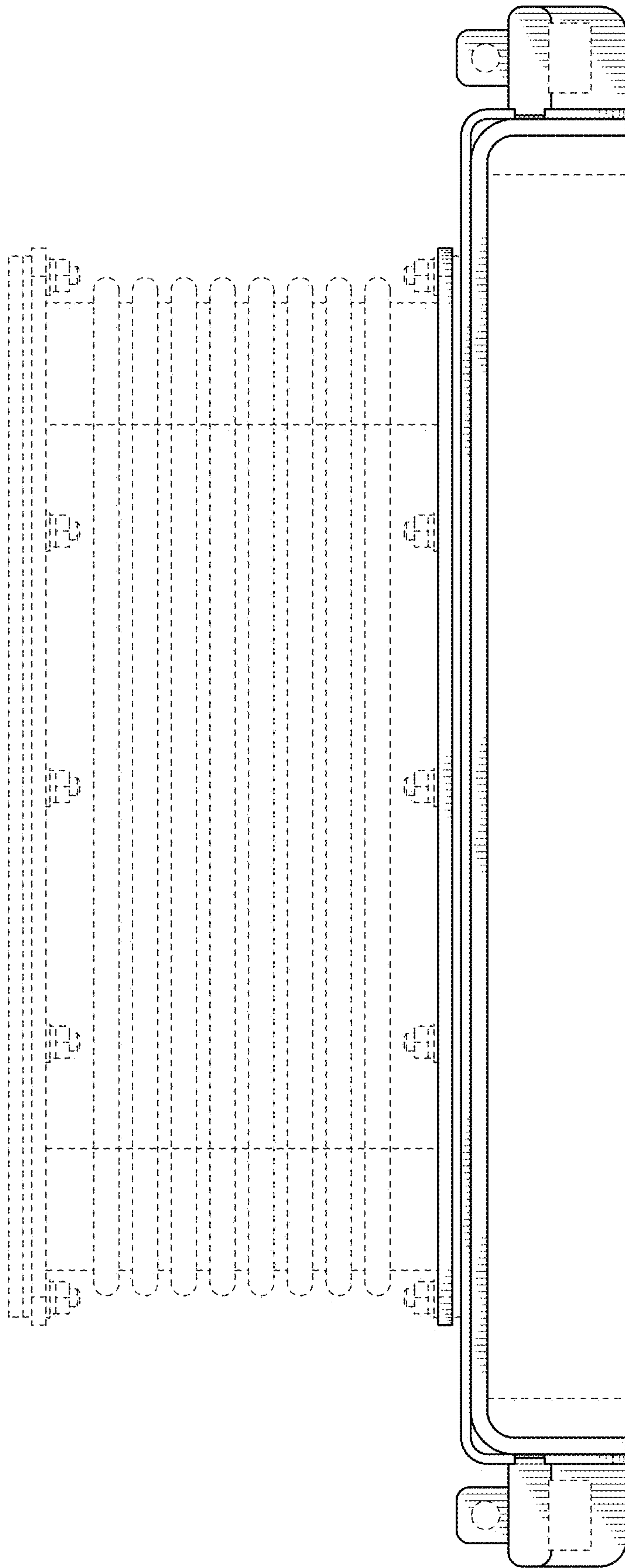


FIG. 2

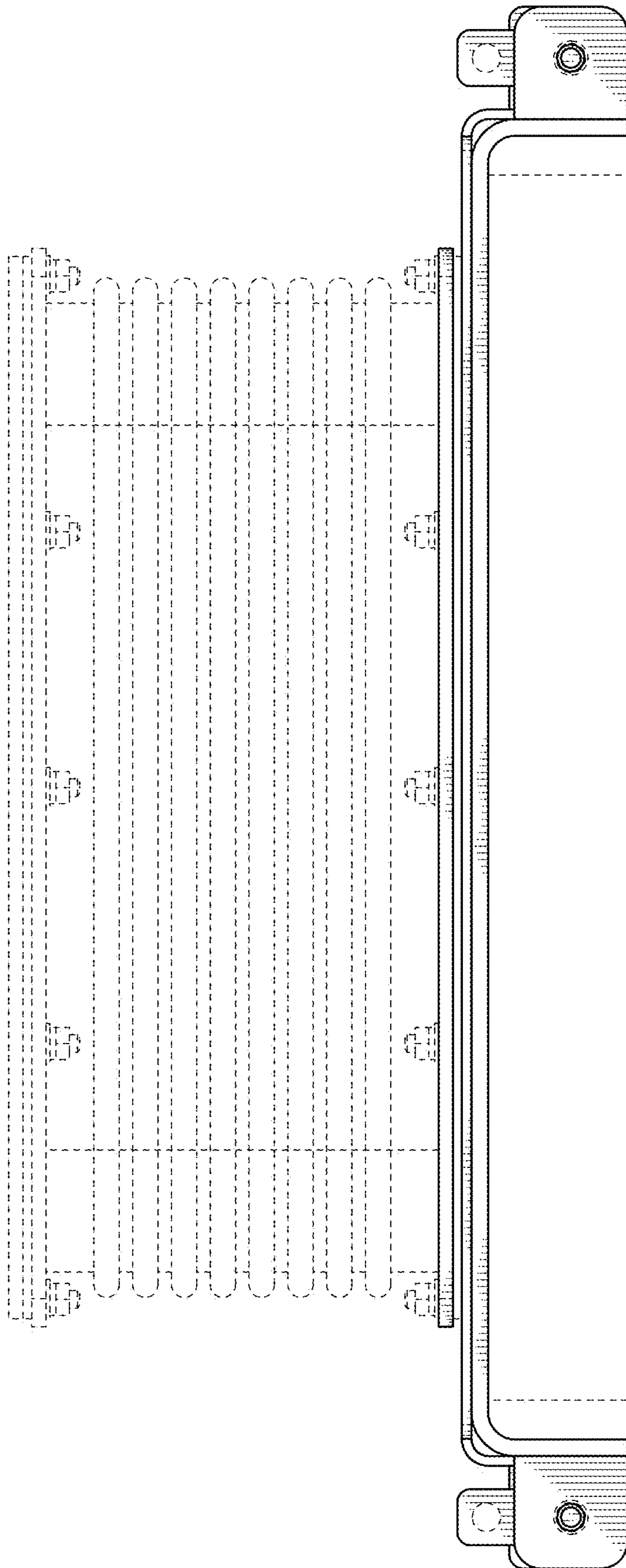


FIG. 3

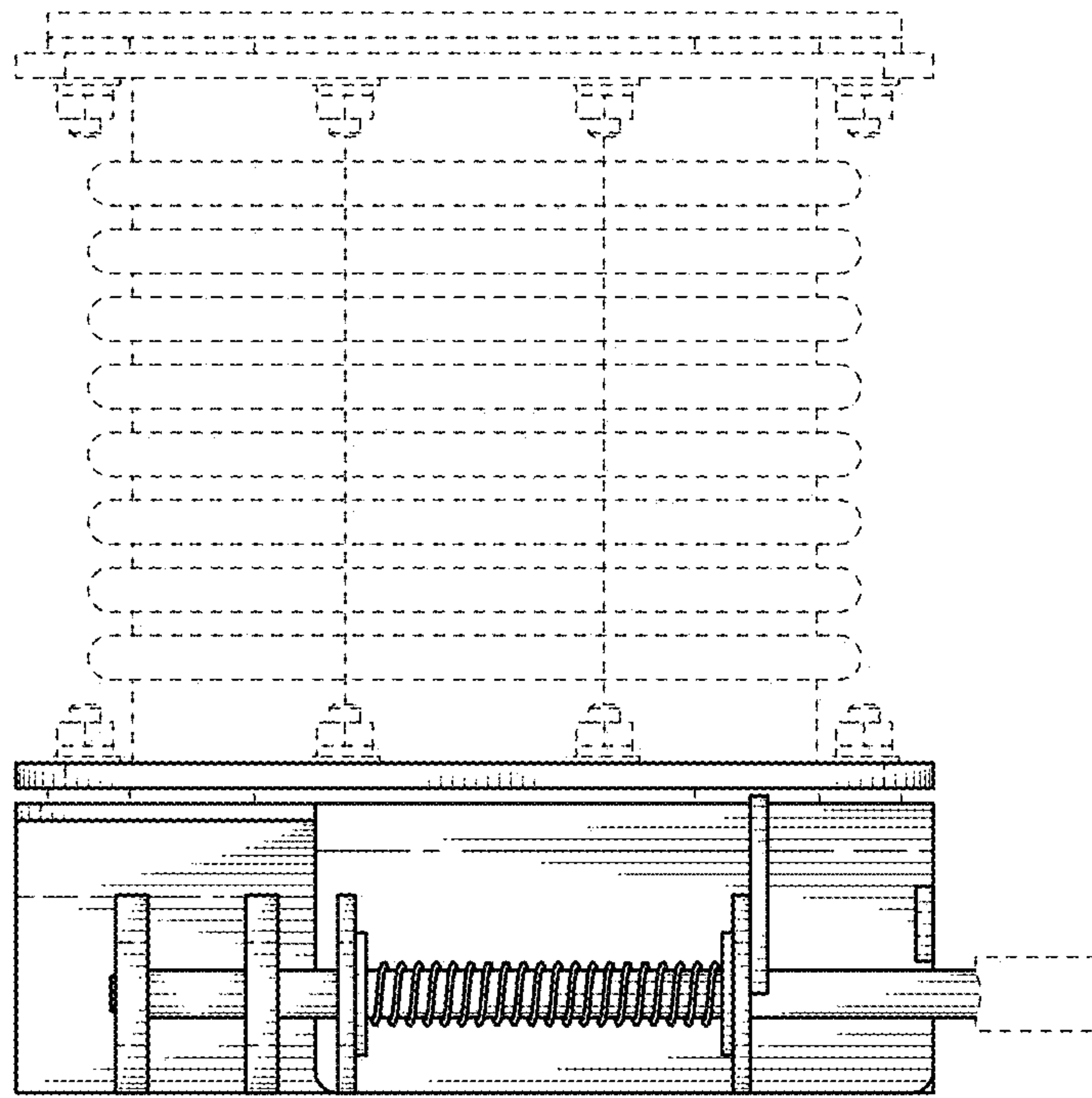


FIG. 4

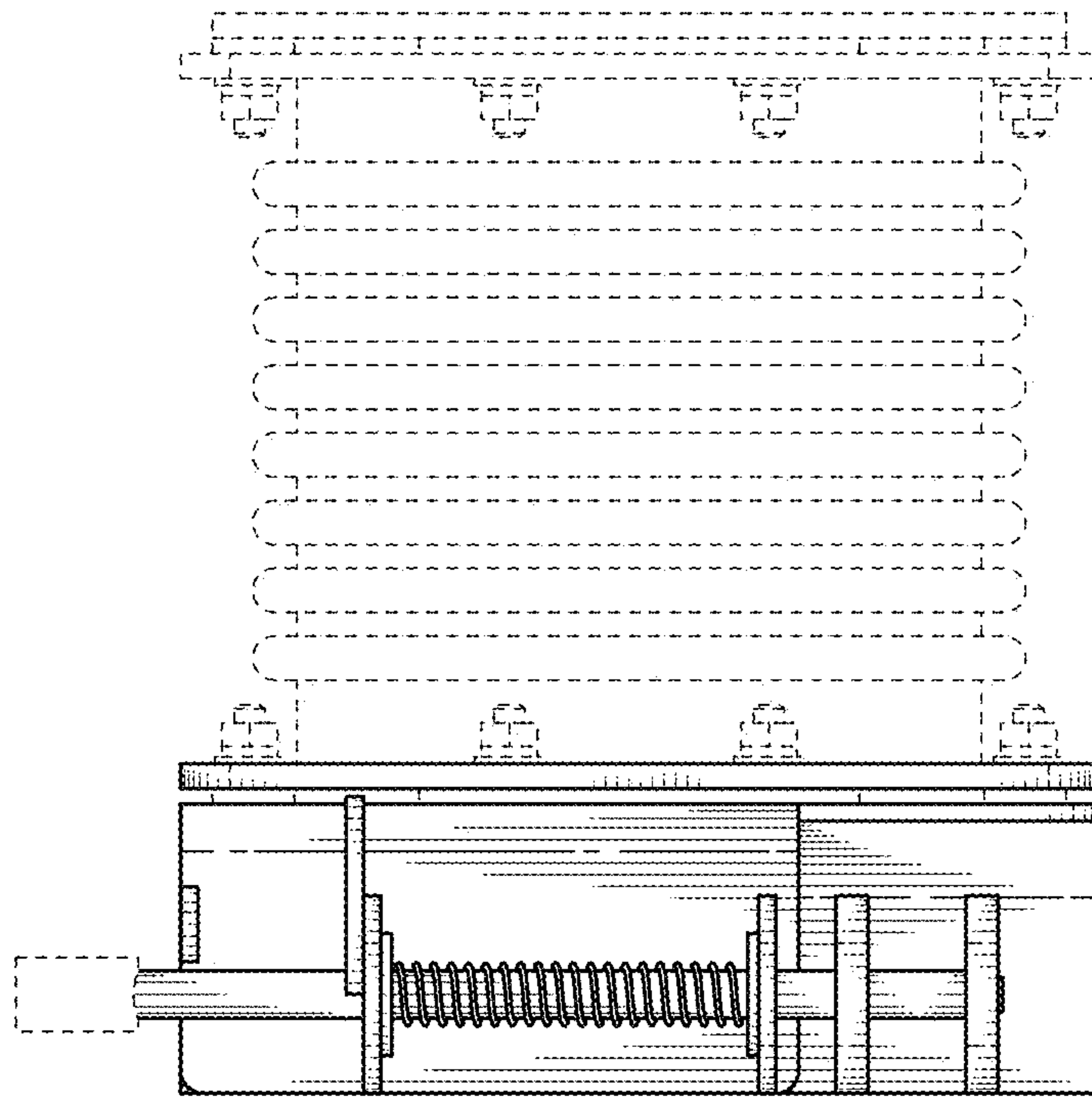


FIG. 5

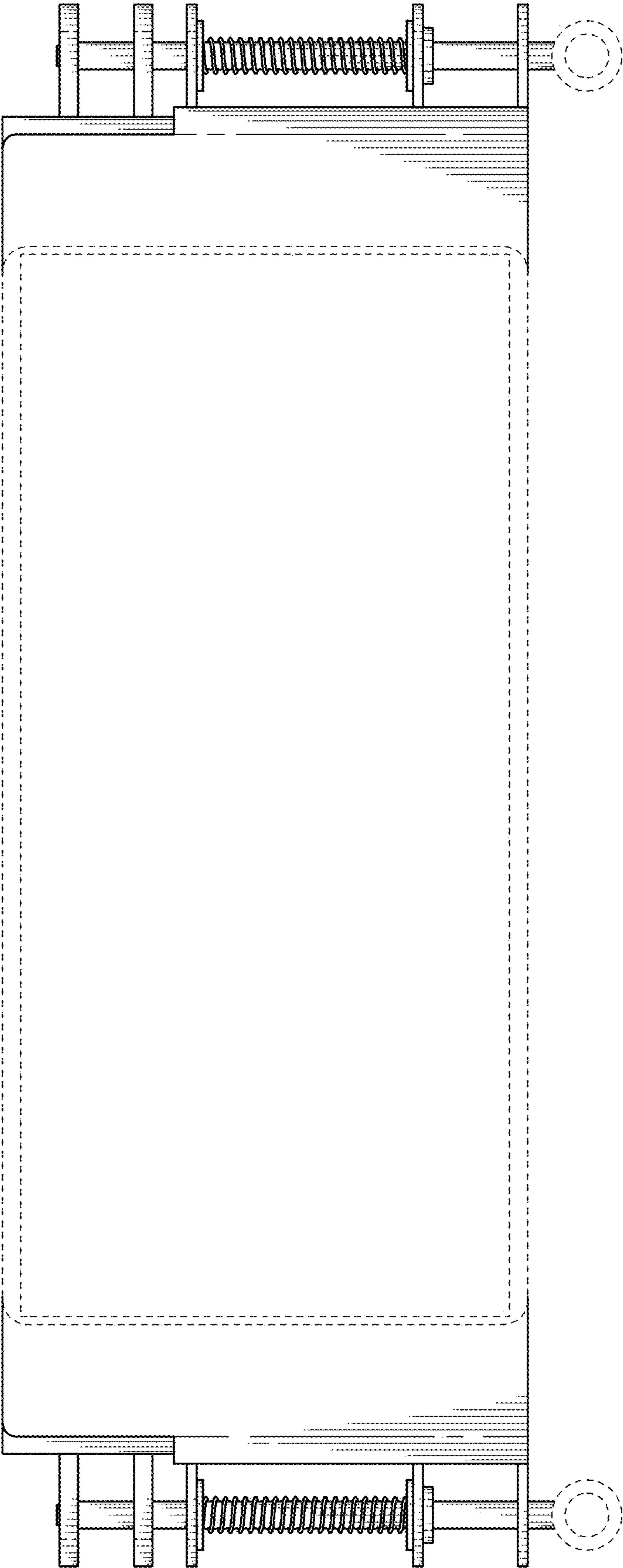


FIG. 6

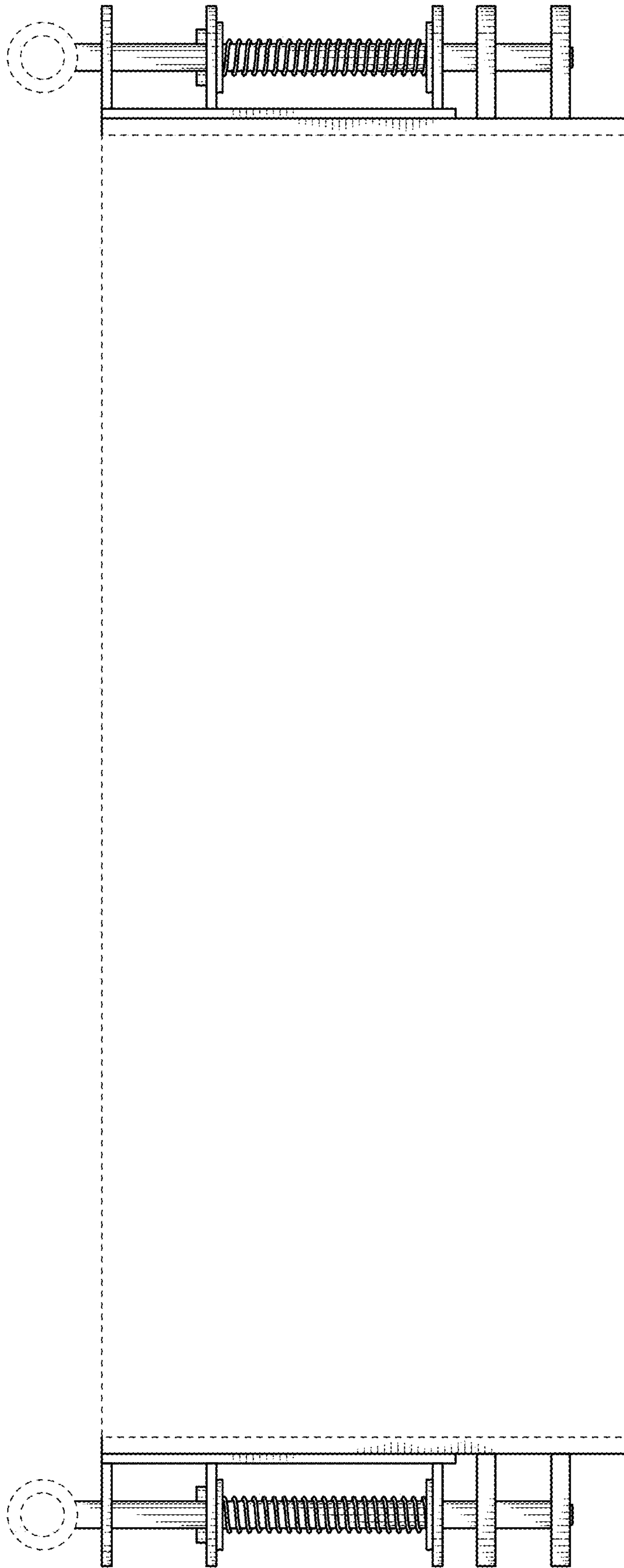


FIG. 7