



US00D896286S

(12) **United States Design Patent** (10) **Patent No.:** **US D896,286 S**
Tsukamoto et al. (45) **Date of Patent:** **** Sep. 15, 2020**

(54) **TRAVELLING BODY FOR CONSTRUCTION MACHINE**

(56) **References Cited**

U.S. PATENT DOCUMENTS

(71) Applicant: **KOBELCO CONSTRUCTION MACHINERY CO., LTD.**, Hiroshima-shi, Hiroshima (JP)
(72) Inventors: **Hironori Tsukamoto**, Hiroshima (JP); **Shintaro Sakitani**, Hiroshima (JP); **Hirokazu Imashige**, Hiroshima (JP); **Toshiro Ueta**, Hiroshima (JP); **Hiroaki Nishimoto**, Hiroshima (JP); **Kenichi Fujimoto**, Hiroshima (JP)
(73) Assignee: **KOBELCO CONSTRUCTION MACHINERY CO., LTD.**, Hiroshima-Shi (JP)

D391,272 S	*	2/1998	Jin	D15/24
D576,182 S		9/2008	Murakami et al.		
D593,137 S		5/2009	Ueta et al.		
D629,816 S	*	12/2010	Nishimura	D15/28
D693,857 S	*	11/2013	Hiraoka	D15/28
D735,771 S	*	8/2015	Imashige	D15/28
D737,865 S	*	9/2015	Imashige	D15/28
D738,403 S	*	9/2015	Imashige	D15/22
D750,673 S	*	3/2016	Imashige	D15/28
D772,308 S	*	11/2016	Harms	D15/28
D772,954 S	*	11/2016	Harms	D15/28
D772,956 S	*	11/2016	Harms	D15/28
D773,537 S	*	12/2016	Fiser	D15/30
D797,159 S	*	9/2017	Yeu	D15/28
D797,160 S	*	9/2017	Yeu	D15/30

* cited by examiner

Primary Examiner — Mark A Goodwin

(74) *Attorney, Agent, or Firm* — Birch, Stewart, Kolasch & Birch, LLP

(**) Term: **15 Years**
(21) Appl. No.: **29/674,990**
(22) Filed: **Dec. 27, 2018**

(30) **Foreign Application Priority Data**

Jul. 10, 2018 (JP) 2018-015171
Jul. 10, 2018 (JP) 2018-015173

(51) **LOC (12) Cl.** **15-03**
(52) **U.S. Cl.**
USPC **D15/28; D15/33**

(58) **Field of Classification Search**
USPC D15/10, 22–26, 28, 30, 31, 33; 180/89.1, 180/89.12, 89.13, 900, 9.1, 9.2, 9.62; 414/694, 699, 722–724, 660, 685, 698, 414/719, 743; 37/379
CPC . E02F 9/163; E02F 9/0886; E02F 9/18; E02F 3/32; E02F 3/76; E02F 3/40; F01N 13/001; F01N 2590/08
See application file for complete search history.

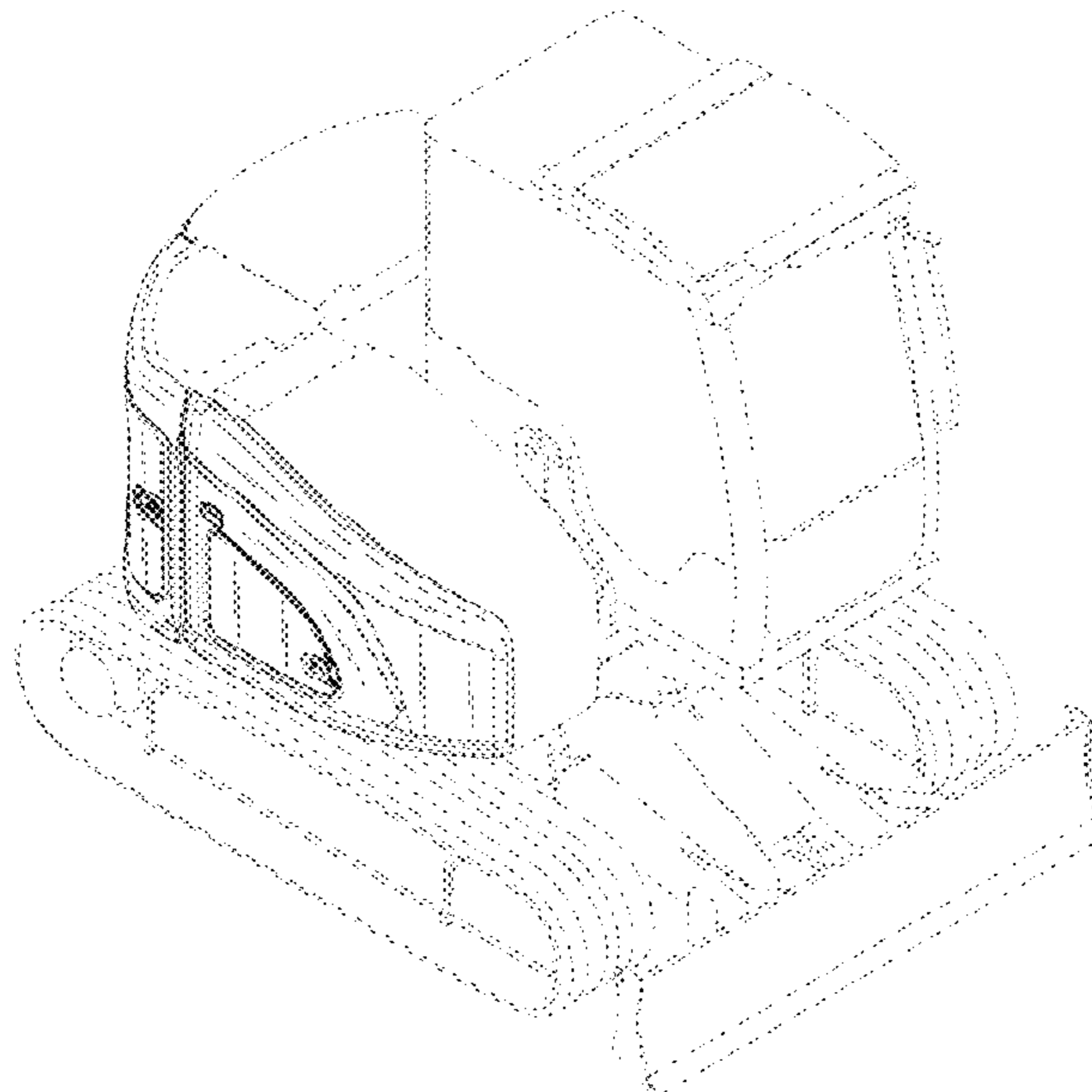
(57) **CLAIM**

The ornamental design for a travelling body for construction machine, as shown and described.

DESCRIPTION

FIG. 1 is a first perspective view of a travelling body for construction machine showing our new design; FIG. 2 is a second perspective view thereof; FIG. 3 is a front view thereof; FIG. 4 is a rear view thereof; FIG. 5 is a left side view thereof; FIG. 6 is a right side view thereof; FIG. 7 is a top view thereof; and, FIG. 8 is a bottom view thereof. The broken lines depict portions of the travelling body for construction machine in which the design is embodied that are not considered part of the claimed design.

1 Claim, 8 Drawing Sheets



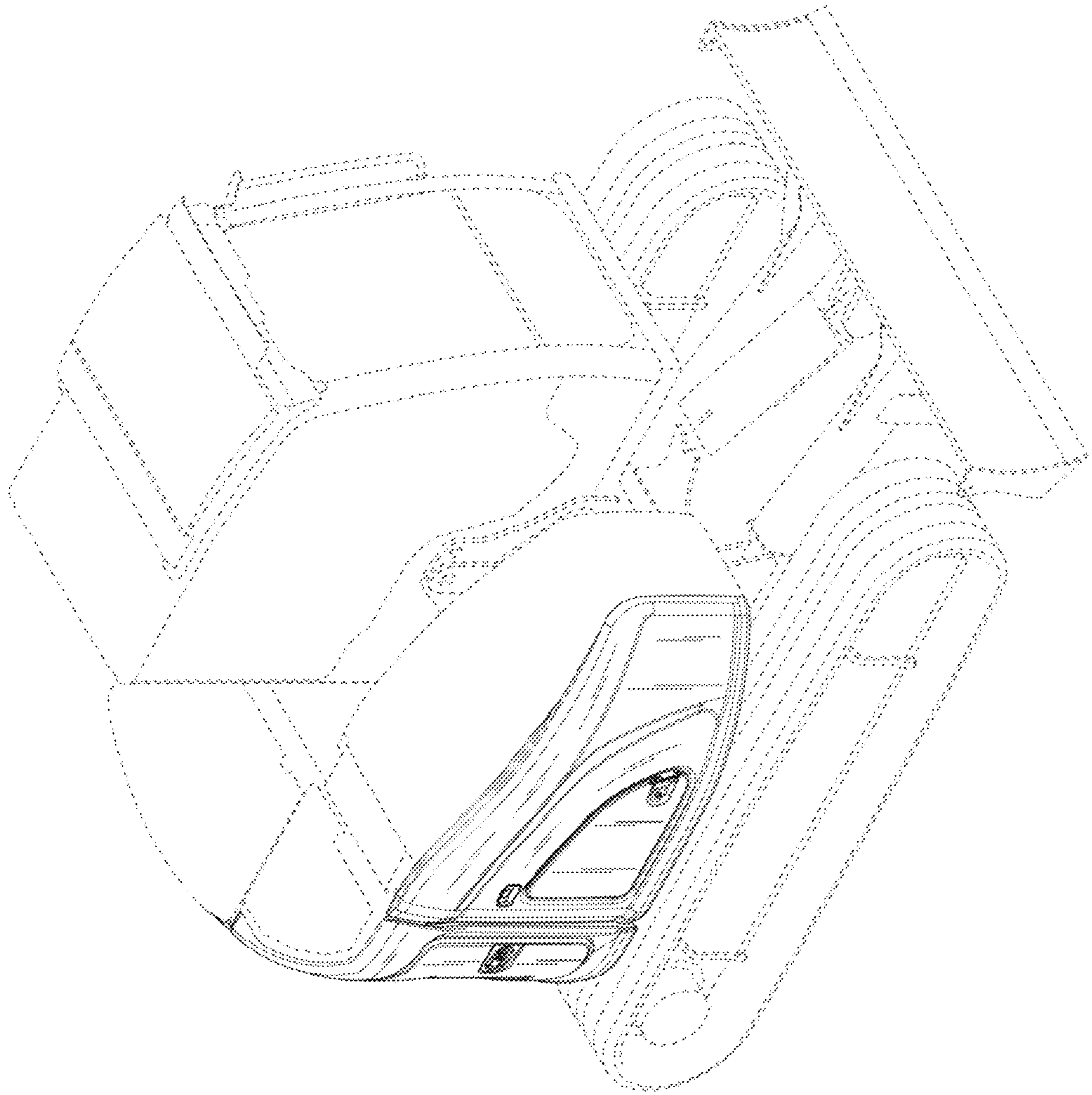
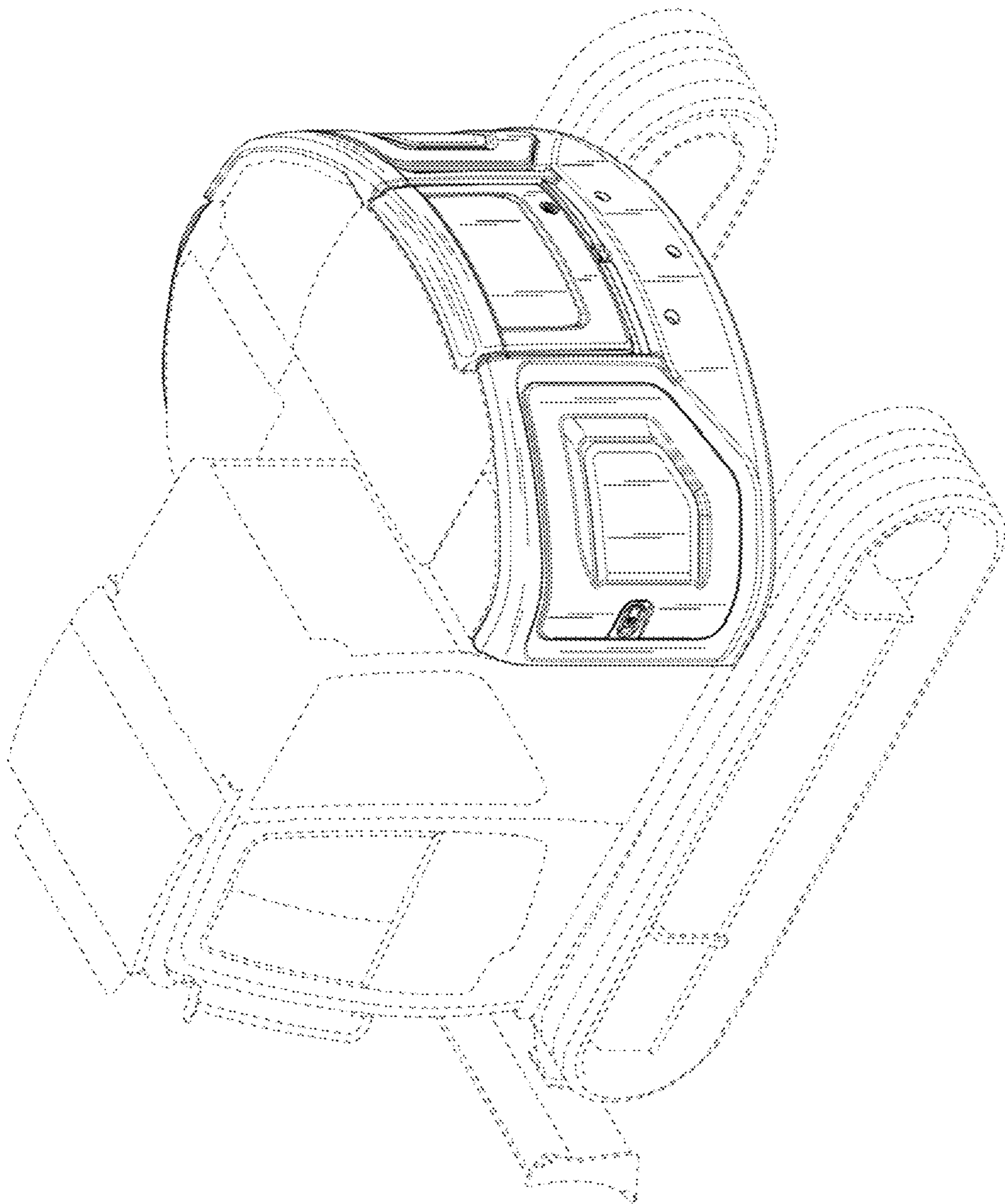


FIG.1

FIG. 2



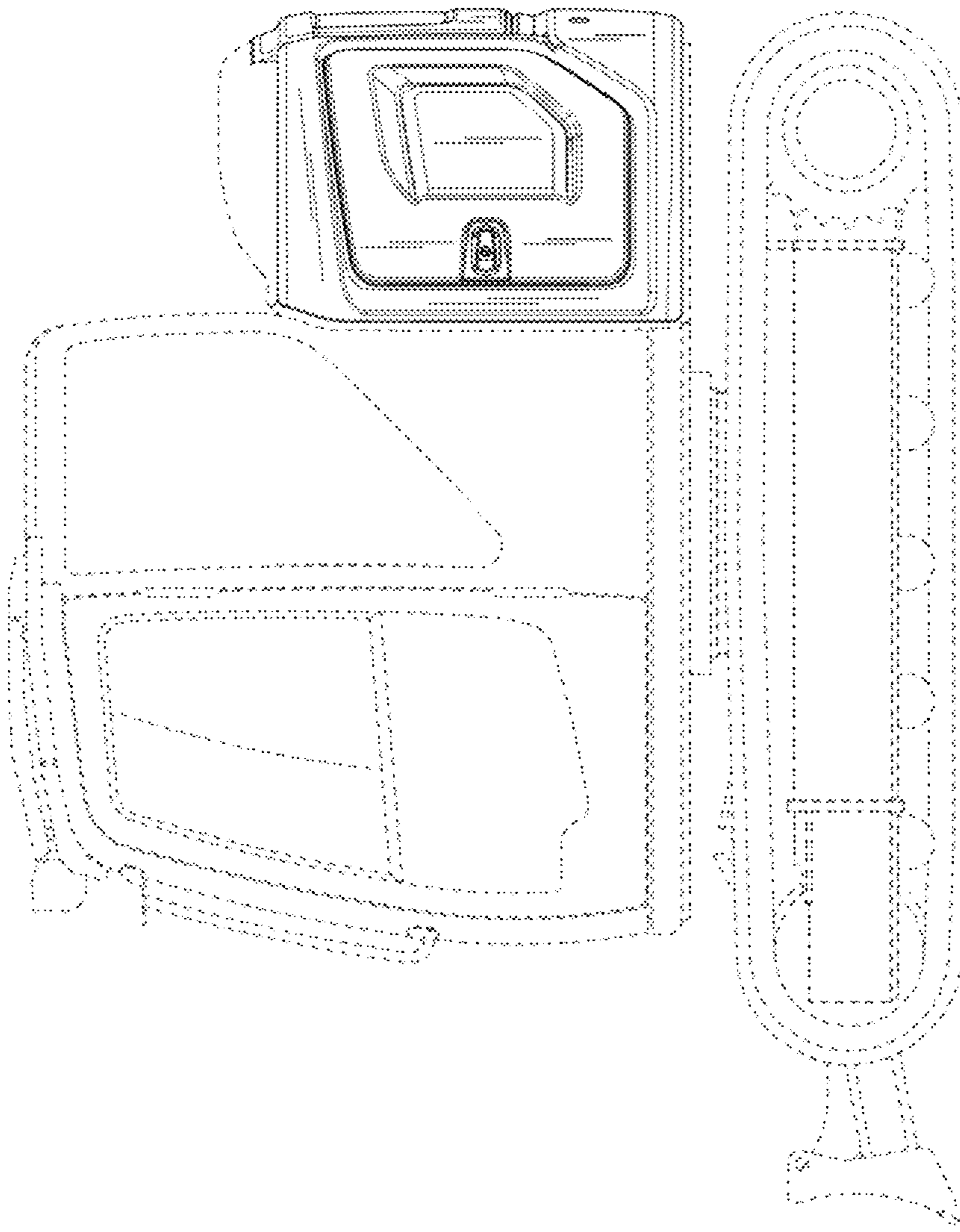


FIG. 3

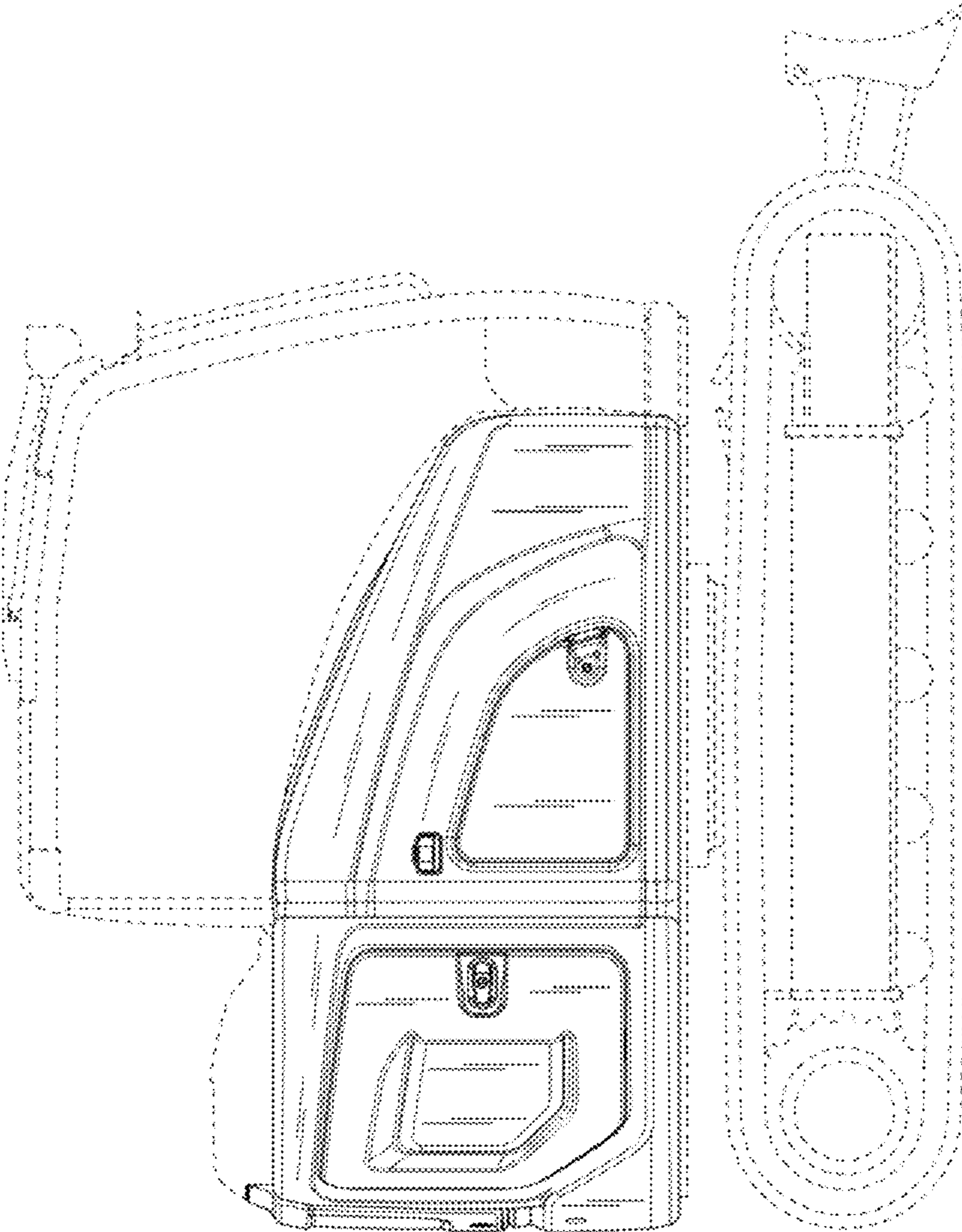


FIG.4

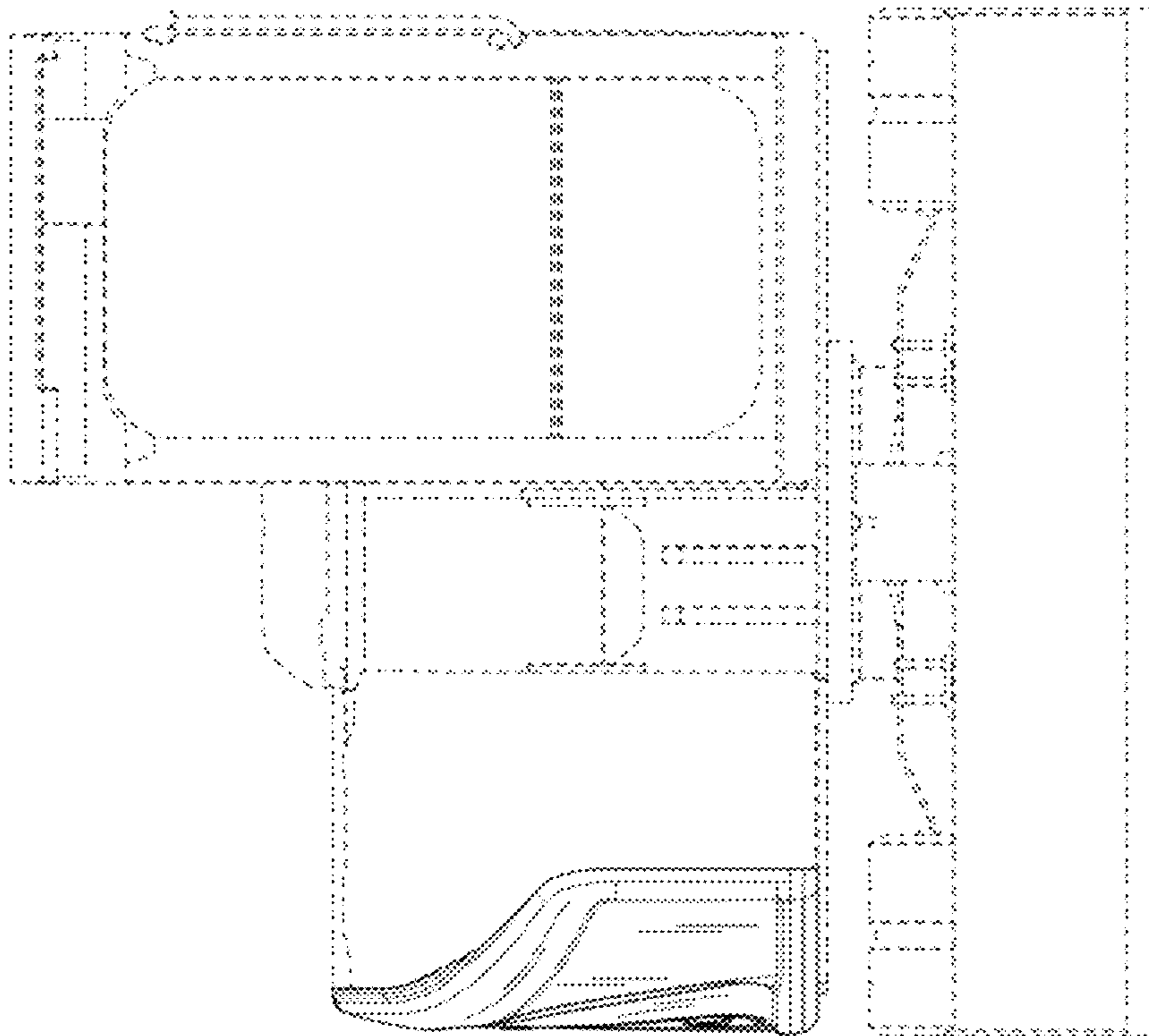


FIG. 5

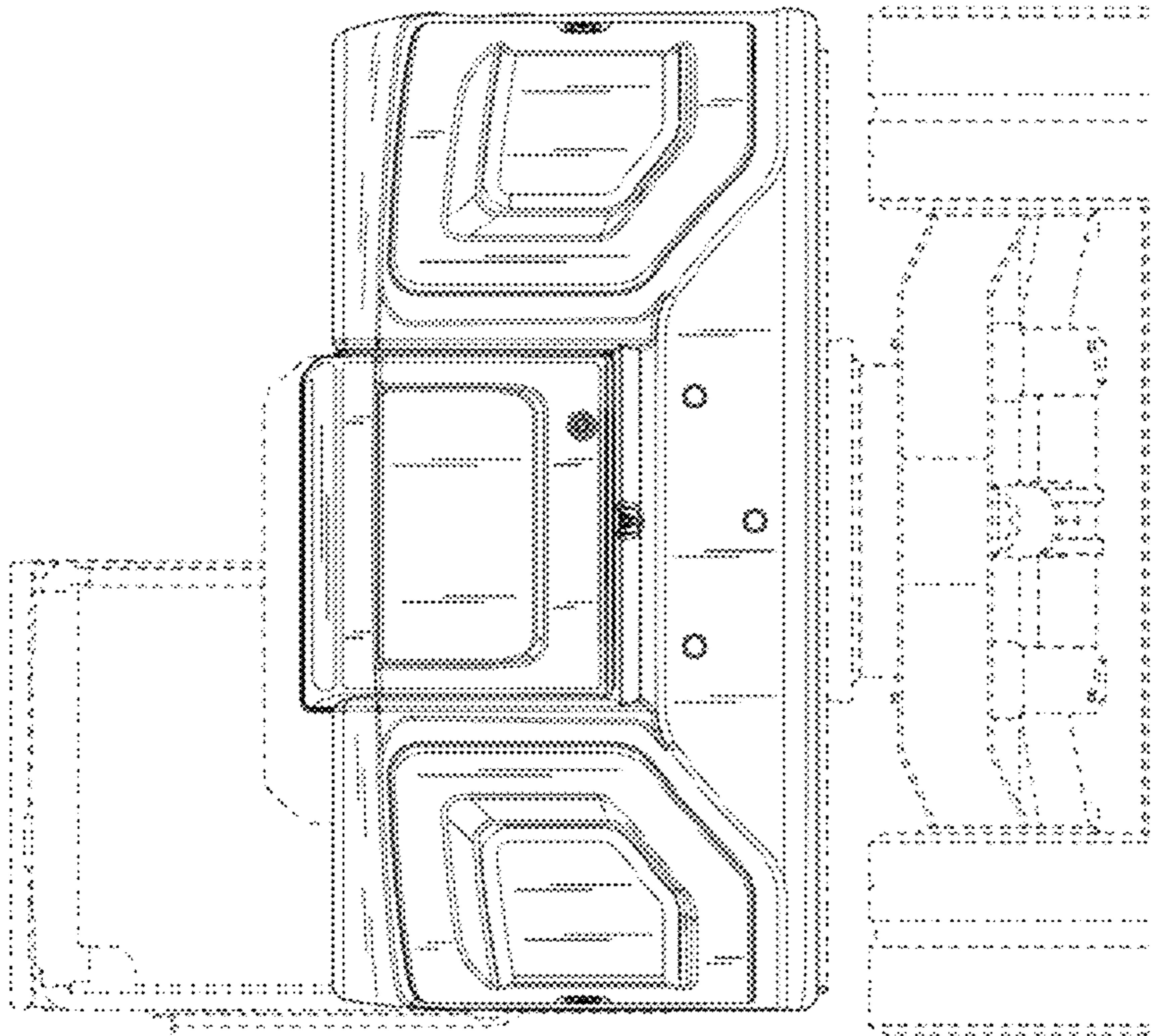


FIG. 6

FIG. 7

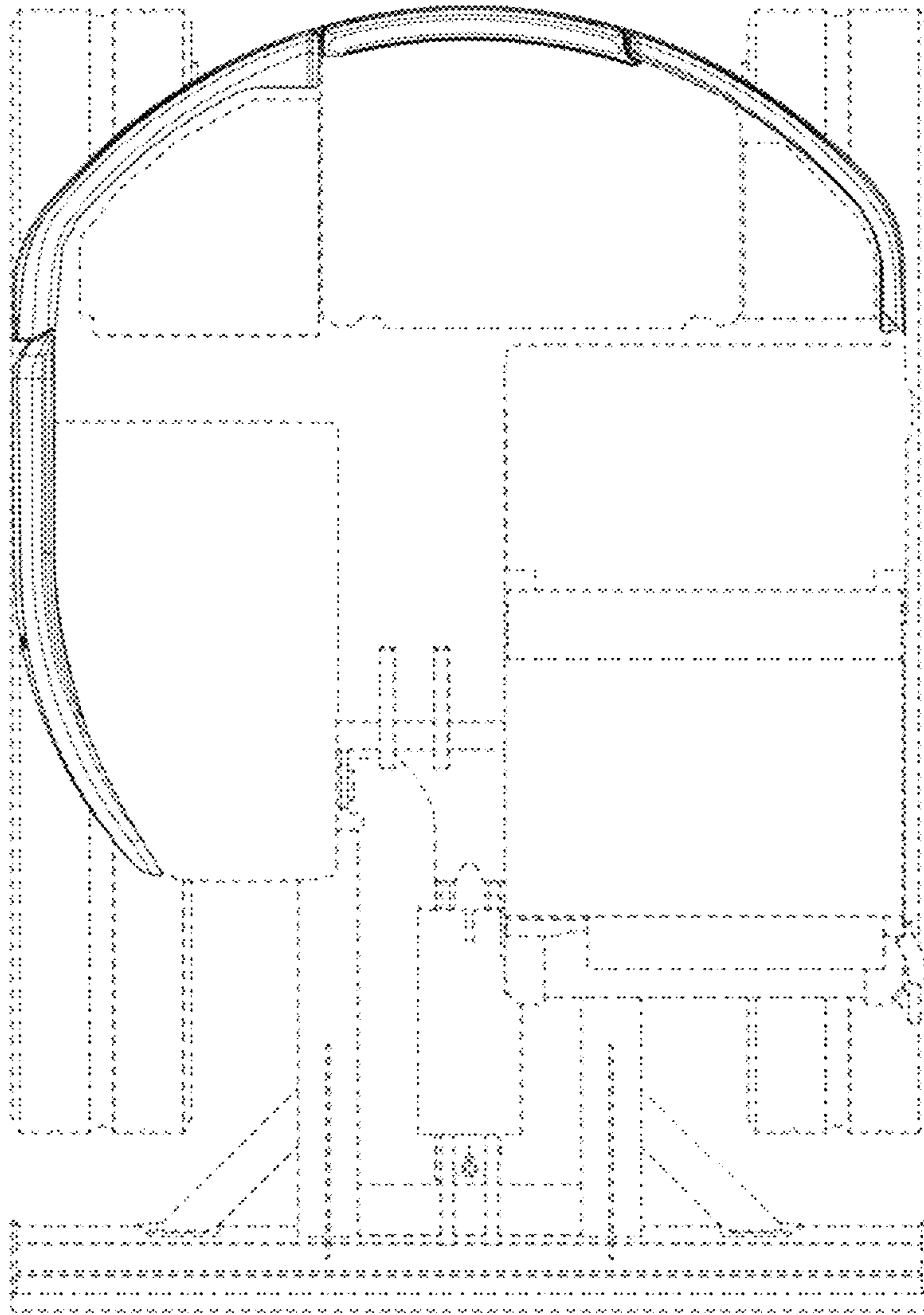


FIG. 8

