



US00D896284S

(12) **United States Design Patent**  
**Phadatare et al.**

(10) **Patent No.:** **US D896,284 S**

(45) **Date of Patent:** **\*\* Sep. 15, 2020**

(54) **EXCAVATOR**  
(71) Applicant: **J.C. BAMFORD EXCAVATORS LIMITED**, Uttoxeter (GB)  
(72) Inventors: **Shirkant Phadatare**, Uttoxeter (GB); **Stephen Hawkes**, Uttoxeter (GB)  
(73) Assignee: **J.C. BAMFORD EXCAVATORS LIMITED**, Uttoxeter, Staffordshire (GB)  
(\*\*) Term: **15 Years**  
(21) Appl. No.: **29/688,195**

D348,270 S 6/1994 Lehmann-Brendel et al.  
5,427,185 A 6/1995 Seal  
D366,267 S 1/1996 Lepoix  
D376,604 S 12/1996 Johnson  
D391,272 S 2/1998 Jin et al.  
5,911,624 A 6/1999 Stauffer  
D437,602 S 2/2001 Hiraoka et al.  
D446,225 S 8/2001 Brandenburg, III et al.  
D453,023 S 1/2002 Kaneko et al.  
D455,763 S 4/2002 Brandenburg, III et al.  
D460,975 S 7/2002 Yanagida et al.  
D462,974 S 9/2002 Yanagida et al.  
D463,461 S 9/2002 Yanagida et al.  
D463,462 S 9/2002 Yanagida et al.  
D464,662 S 10/2002 Dahl et al.  
D479,536 S 9/2003 Dahl et al.

(Continued)

(22) Filed: **Apr. 18, 2019**  
(30) **Foreign Application Priority Data**

*Primary Examiner* — Mark A Goodwin  
(74) *Attorney, Agent, or Firm* — Marshall, Gerstein & Borun LLP

Oct. 22, 2018 (EM) ..... 005804556-0003  
(51) **LOC (12) Cl.** ..... **12-09**  
(52) **U.S. Cl.**  
USPC ..... **D15/22; D15/25**  
(58) **Field of Classification Search**  
USPC ..... D15/10, 22-26, 28, 30; 180/89.1, 89.12, 180/89.13, 900, 9.1, 9.2, 9.62; 37/379; 414/694, 699, 722-724, 660, 685, 698, 414/719, 743  
CPC ..... E02F 3/32; E02F 3/76; E02F 3/40; E02F 9/163  
See application file for complete search history.

(57) **CLAIM**

The ornamental design for an excavator, as shown and described.

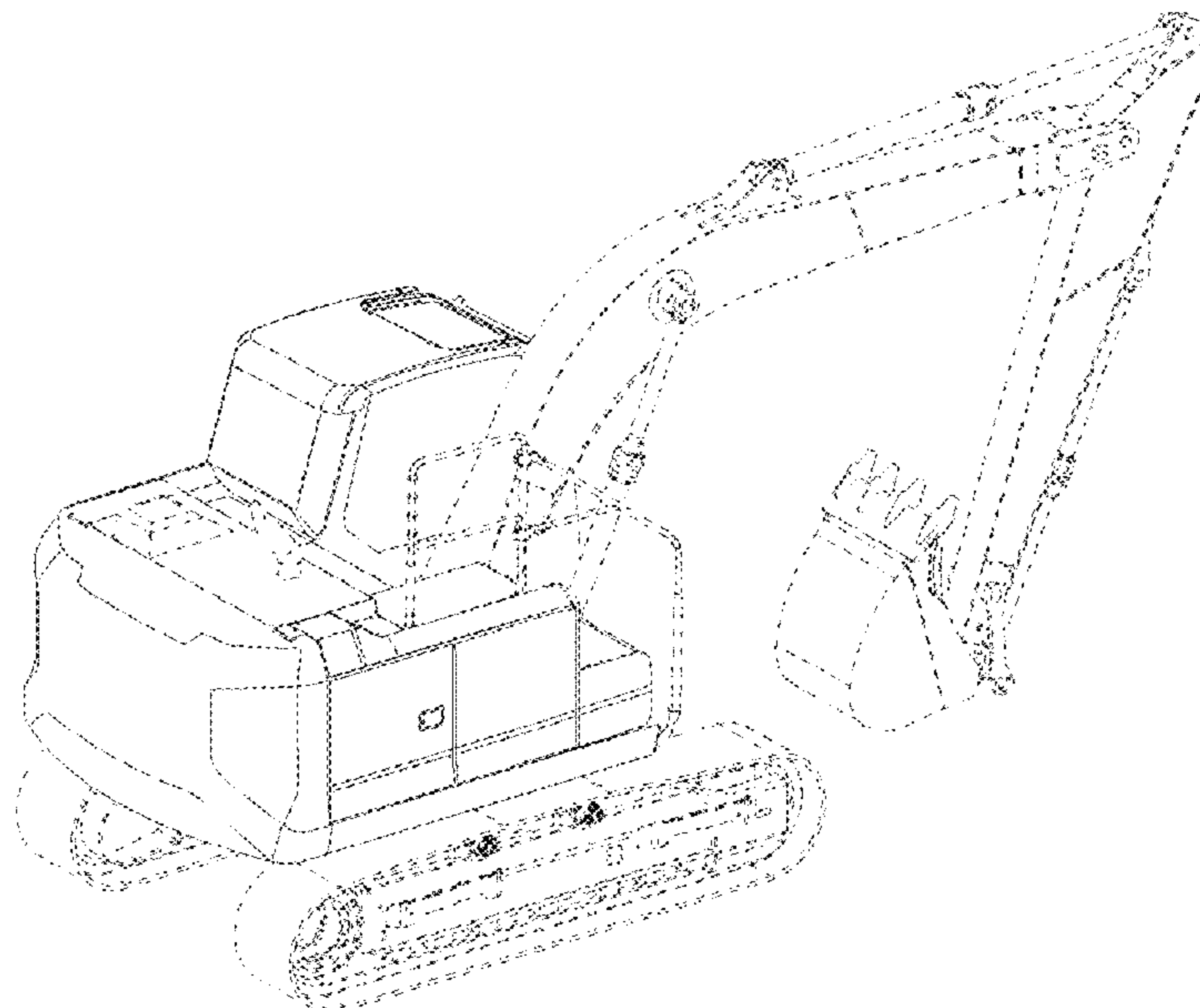
**DESCRIPTION**

FIG. 1 is a front perspective view of an excavator showing the new design;  
FIG. 2 is a top view of the invention illustrated in FIG. 1;  
FIG. 3 is a bottom view of the invention illustrated in FIG. 1;  
FIG. 4 is a front view of the invention illustrated in FIG. 1;  
FIG. 5 is a rear view of the invention illustrated in FIG. 1;  
FIG. 6 is a right side view of the invention illustrated in FIG. 1; and,  
FIG. 7 is a left side view of the invention illustrated in FIG. 1.  
The broken lines in the drawings depict portions of the excavator and form no part of the claimed design.

(56) **References Cited**  
U.S. PATENT DOCUMENTS

D272,071 S 1/1984 Baconet et al.  
D297,329 S 8/1988 Monehaie et al.  
D304,589 S 11/1989 Lanphere et al.  
D321,517 S 11/1991 Katoh et al.  
5,273,340 A 12/1993 Nelson et al.

**1 Claim, 7 Drawing Sheets**



(56)

References Cited

U.S. PATENT DOCUMENTS

D481,044 S 10/2003 Tokach et al.  
 D497,920 S 11/2004 Antonetti  
 D528,568 S 9/2006 Kuwae et al.  
 D531,646 S 11/2006 McCarren, Jr. et al.  
 D533,569 S 12/2006 Mursch  
 D534,552 S 1/2007 Yanagida  
 D534,927 S 1/2007 Mursch  
 D541,826 S 5/2007 Brush et al.  
 D549,245 S 8/2007 Antonetti  
 D559,279 S 1/2008 Sakitani et al.  
 D582,947 S 12/2008 Ueta et al.  
 7,467,722 B2 12/2008 Ramun  
 D587,285 S 2/2009 Murakami et al.  
 D594,480 S 6/2009 Gicquel et al.  
 D614,674 S 4/2010 Hobenshield et al.  
 D625,741 S 10/2010 Seidel et al.  
 D636,795 S 4/2011 Yamamoto et al.  
 D637,630 S 5/2011 Yamamoto et al.  
 D642,205 S 7/2011 Yamamoto et al.  
 D653,173 S 1/2012 Dolesh  
 D654,400 S 2/2012 Dolesh  
 D658,211 S 4/2012 Hiraoka et al.  
 D660,881 S 5/2012 Bohme et al.  
 D663,324 S 7/2012 Fuchita et al.  
 D663,751 S 7/2012 Yogita et al.  
 D664,569 S 7/2012 Rupp  
 D668,693 S 10/2012 Ringer  
 D671,566 S 11/2012 Fang et al.  
 8,365,855 B2 \* 2/2013 Mamada ..... B60K 11/04  
 180/312  
 D677,703 S 3/2013 Hiraoka et al.  
 D678,354 S 3/2013 Hiraoka et al.  
 D678,358 S 3/2013 Hiraoka et al.  
 D678,359 S 3/2013 Hagura et al.  
 D680,136 S 4/2013 Tsukamoto et al.  
 D682,322 S 5/2013 Suzuki  
 D684,598 S 6/2013 Hagura et al.  
 D684,603 S 6/2013 Hagura et al.  
 D684,604 S 6/2013 Saito et al.  
 D684,607 S 6/2013 Hagura et al.  
 D685,394 S 7/2013 Nagata et al.  
 D687,868 S 8/2013 Watson et al.

D691,924 S 10/2013 Smith  
 D693,858 S 11/2013 Hagura et al.  
 D695,791 S 12/2013 Hagura et al.  
 D707,261 S 6/2014 Caboret et al.  
 D707,728 S 6/2014 Imashige et al.  
 8,820,457 B2 9/2014 Nishimura  
 D714,837 S 10/2014 Jacobsthal et al.  
 D715,330 S 10/2014 Hutchinson et al.  
 D720,370 S 12/2014 Carter et al.  
 D723,069 S 2/2015 Turner et al.  
 D724,106 S 3/2015 Gallagher et al.  
 D725,157 S 3/2015 Higuchi et al.  
 D725,683 S 3/2015 Payne et al.  
 D726,229 S 4/2015 Turner et al.  
 D727,370 S 4/2015 Payne et al.  
 D728,639 S 5/2015 Payne et al.  
 D746,014 S 12/2015 Rekow et al.  
 D746,534 S 12/2015 Rekow et al.  
 D749,150 S 2/2016 Payne et al.  
 D749,646 S 2/2016 Turner et al.  
 D749,649 S 2/2016 McAdam et al.  
 D750,672 S 3/2016 Payne et al.  
 D751,123 S 3/2016 Kazakoff  
 D759,127 S 6/2016 Higuchi et al.  
 D762,248 S 7/2016 Steinhardt et al.  
 D773,537 S 12/2016 Fiser et al.  
 D774,111 S 12/2016 Underhill et al.  
 D774,112 S 12/2016 Fiser et al.  
 D775,244 S 12/2016 Hart et al.  
 D780,231 S 2/2017 Saari et al.  
 D780,232 S 2/2017 Saari et al.  
 D780,235 S 2/2017 Kim  
 D784,425 S 4/2017 Cooksey et al.  
 D797,159 S 9/2017 Yeu et al.  
 D813,917 S 3/2018 Smiley  
 D835,160 S 12/2018 Jilbert et al.  
 10,167,610 B2 1/2019 Kurosaka et al.  
 D847,213 S 4/2019 Kurosaka et al.  
 D849,062 S 5/2019 Jilbert et al.  
 D854,054 S 7/2019 Hirasawa et al.  
 D866,614 S \* 11/2019 Jilbert ..... D15/22  
 D870,159 S \* 12/2019 Jilbert ..... D15/22  
 2004/0200100 A1 10/2004 Kojima et al.  
 2005/0012314 A1 1/2005 Kubo et al.

\* cited by examiner



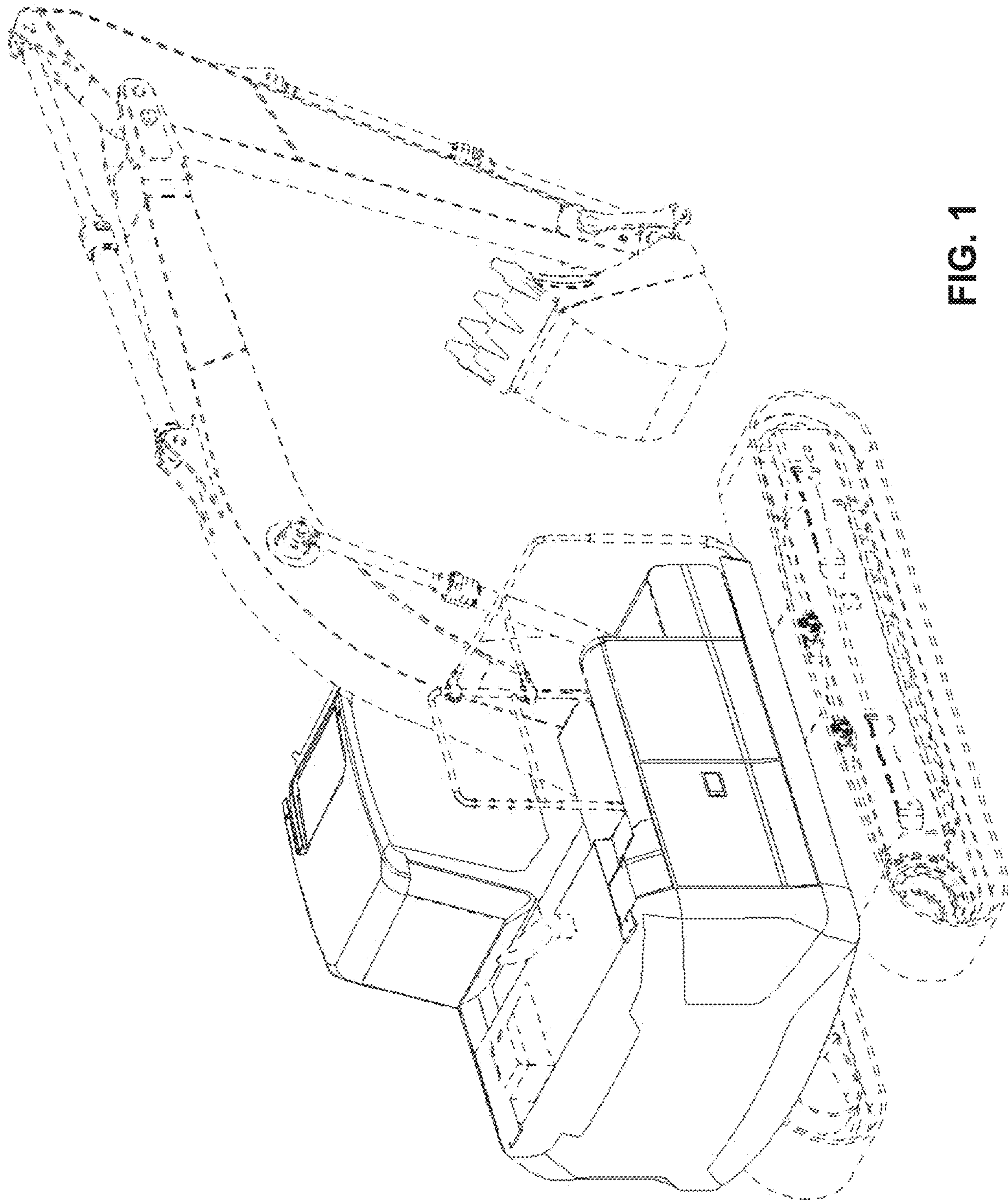


FIG. 1

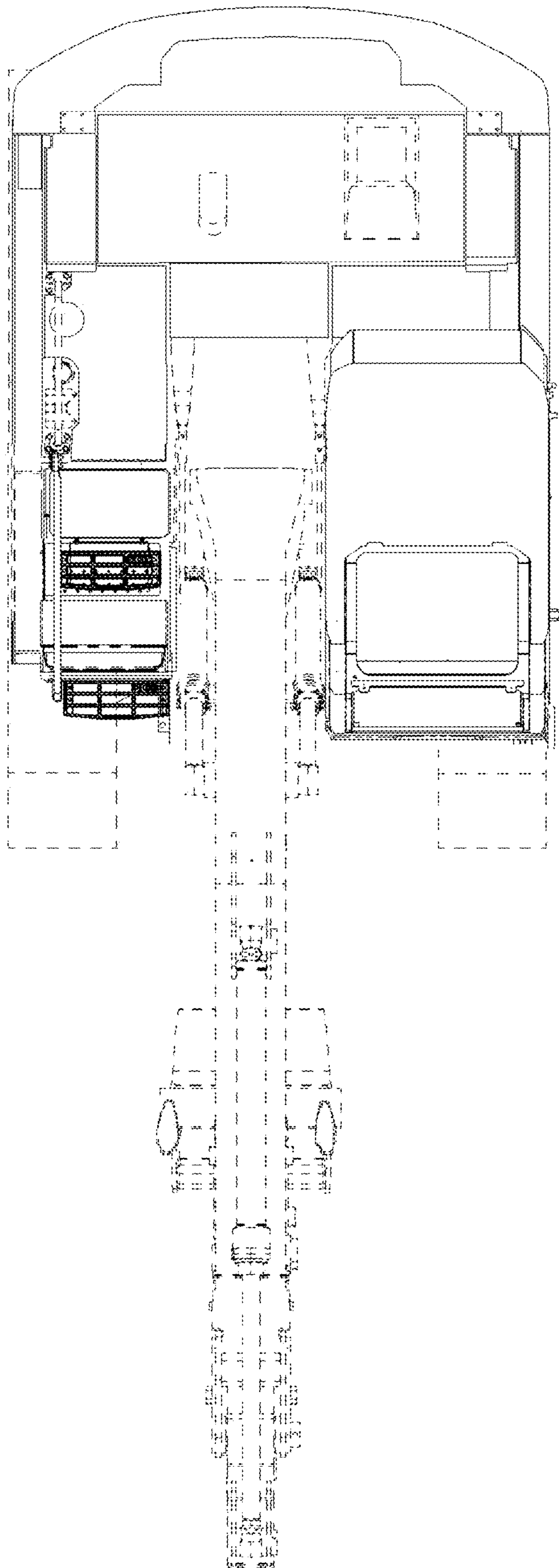


FIG. 2

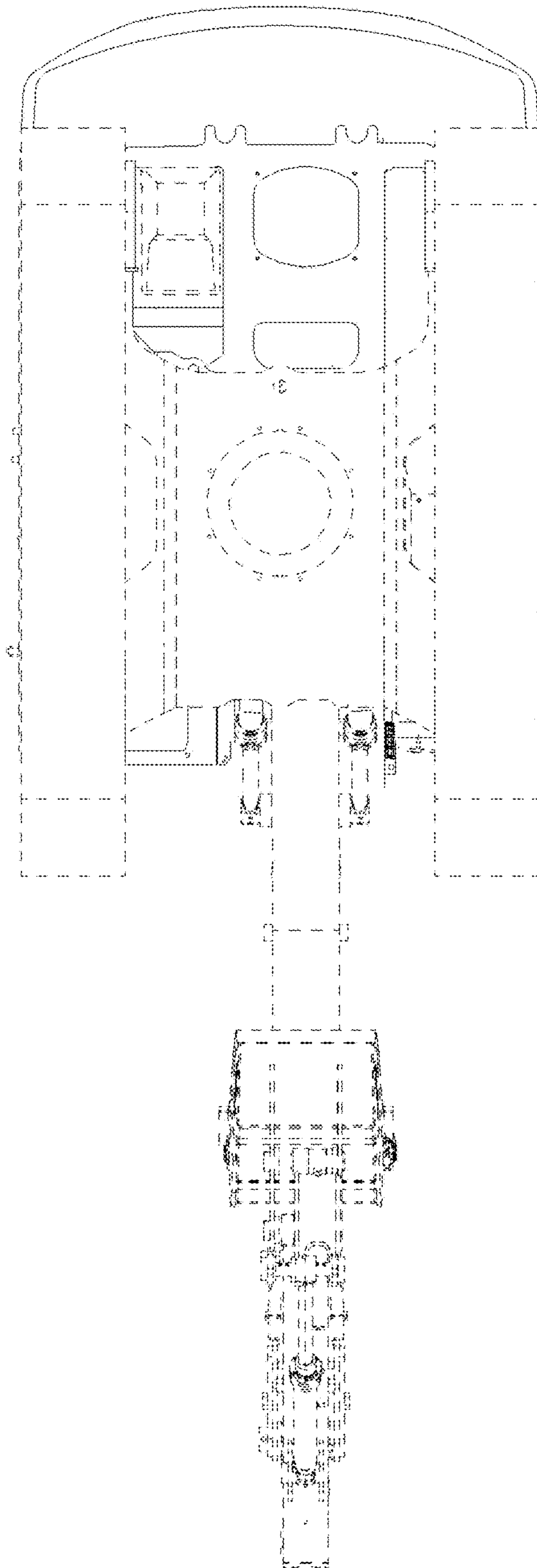


FIG. 3

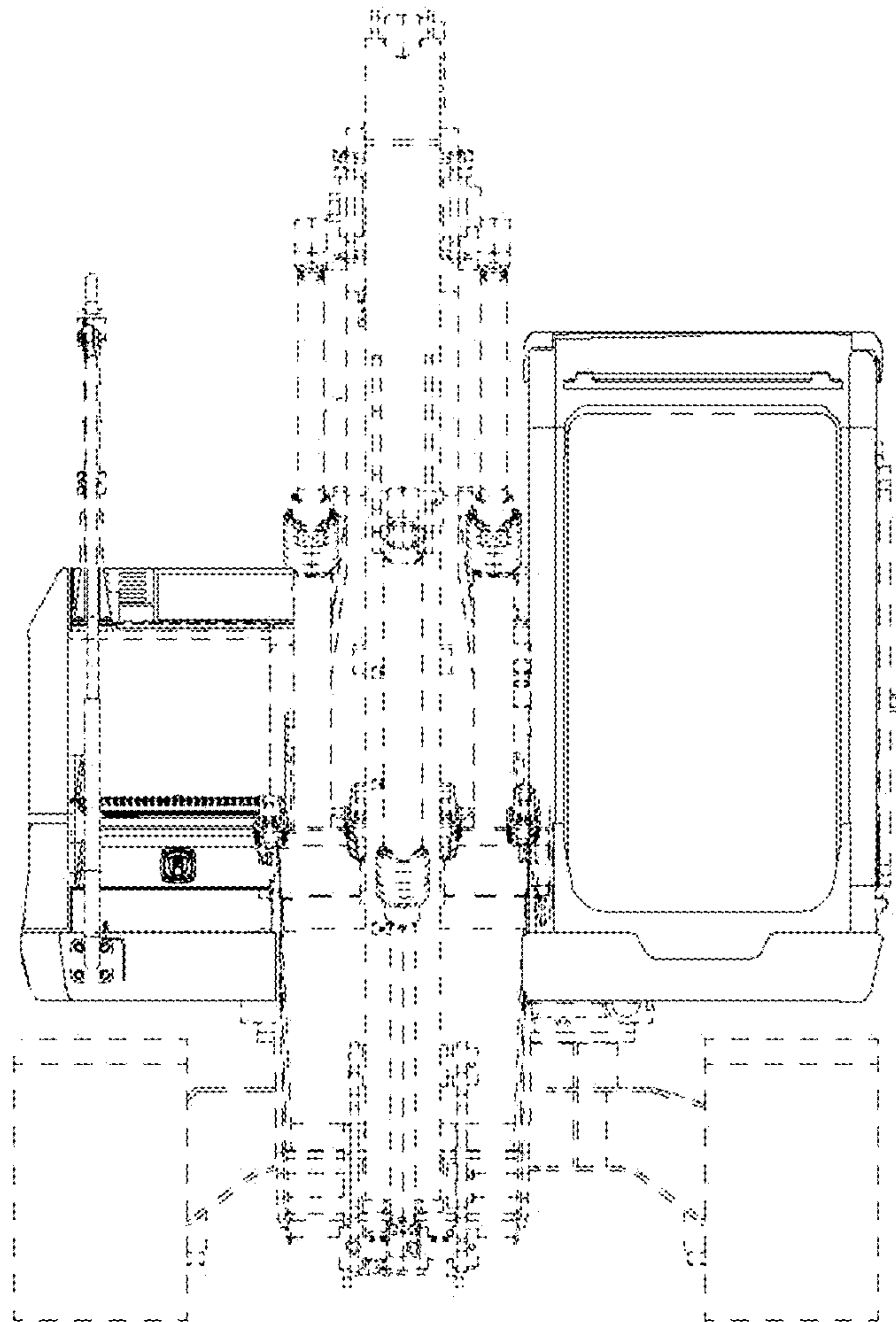


FIG. 4

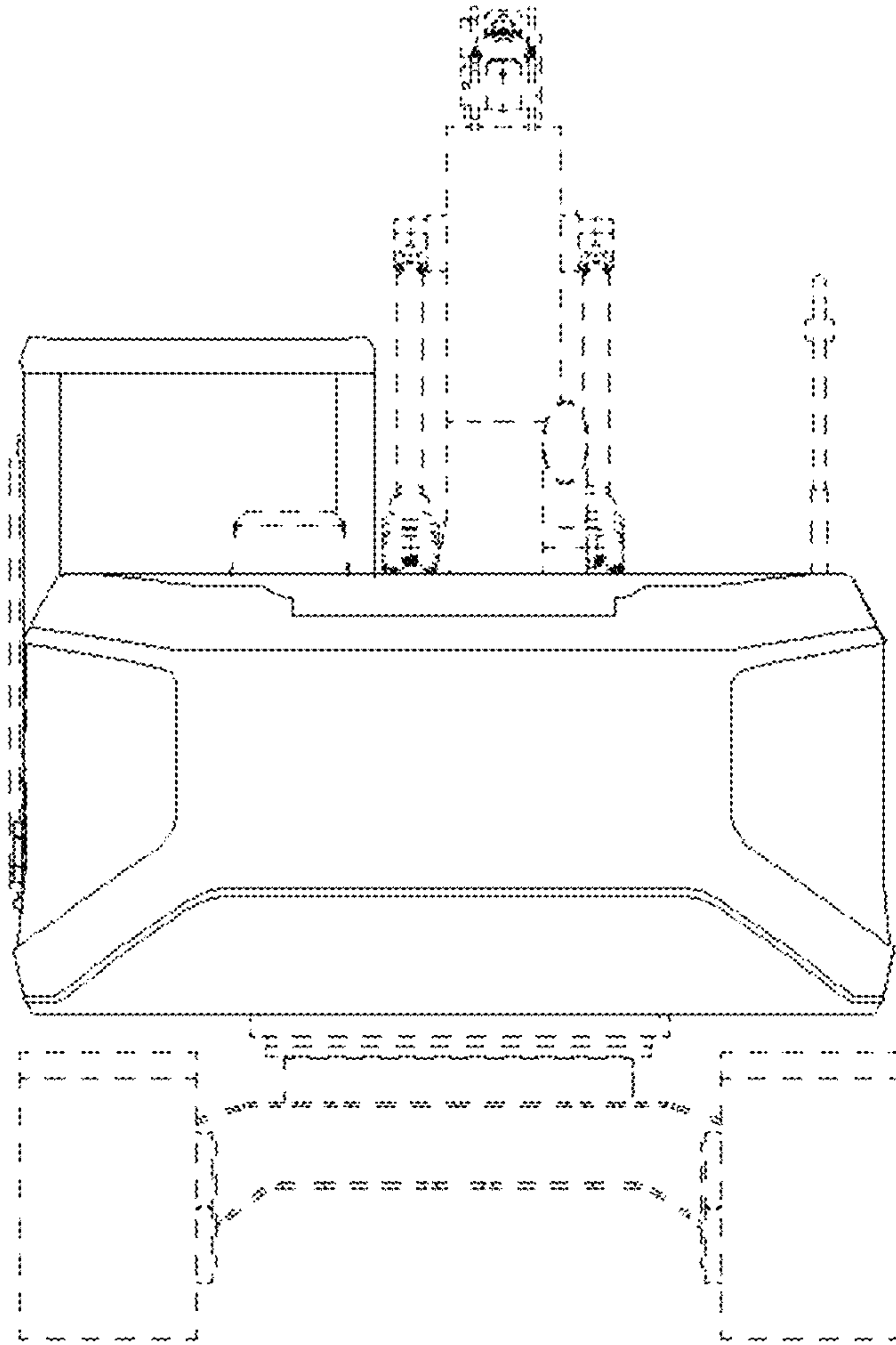


FIG. 5



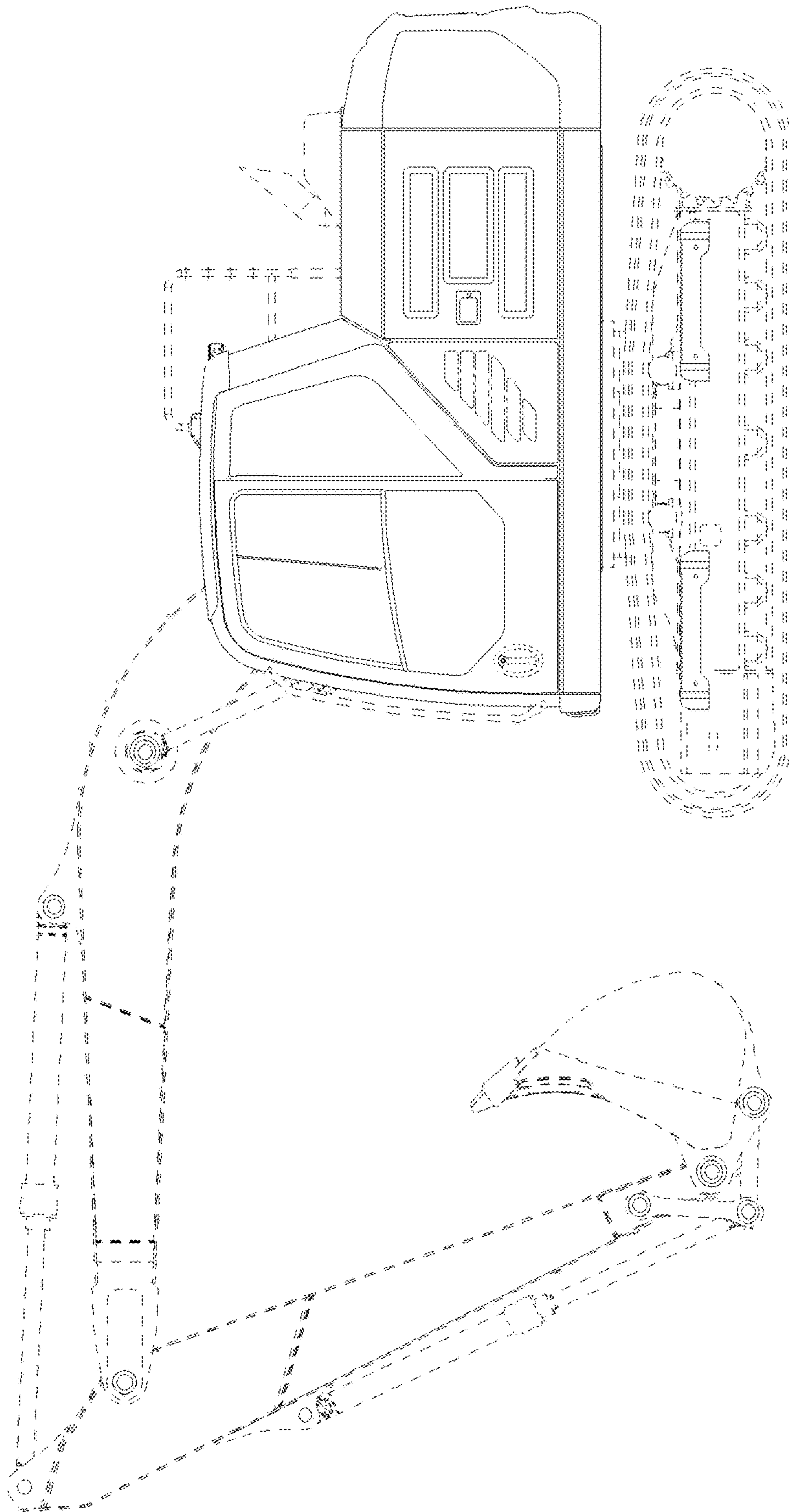


FIG. 6



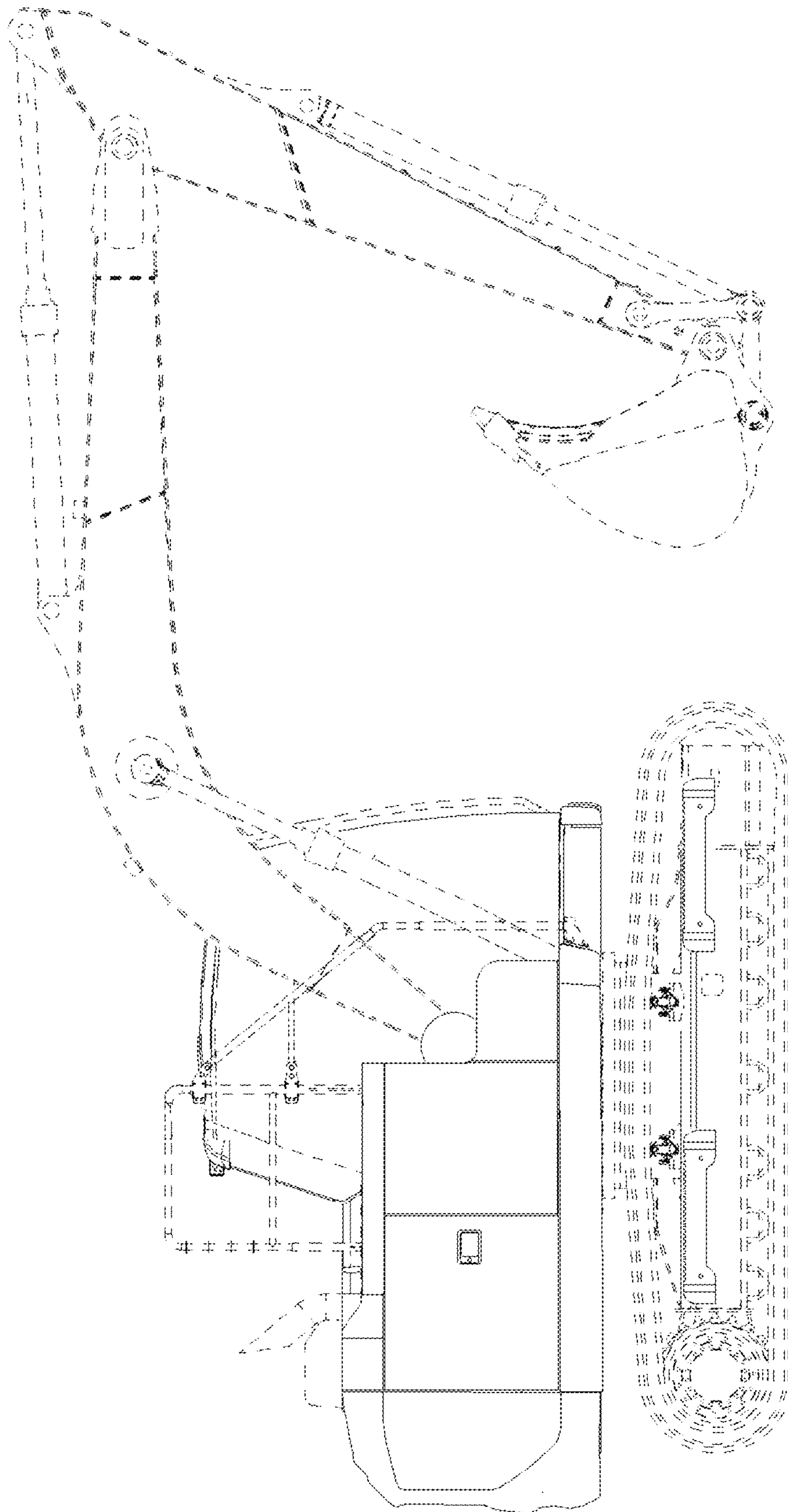


FIG. 7