



US00D896283S

(12) **United States Design Patent** (10) **Patent No.:** **US D896,283 S**
Hemry et al. (45) **Date of Patent:** **** Sep. 15, 2020**

(54) **COMPACTOR**

(71) Applicant: **CATERPILLAR PAVING PRODUCTS INC.**, Brooklyn Park, MN (US)

(72) Inventors: **Michael S. Hemry**, Maple Grove, MN (US); **Michael W. Ries**, Andover, MN (US); **Paco Romero**, Brooklyn Park, MN (US)

(73) Assignee: **Caterpillar Paving Products Inc.**, Brooklyn Park, MN (US)

(**) Term: **15 Years**

(21) Appl. No.: **29/688,129**

(22) Filed: **Apr. 18, 2019**

(51) **LOC (12) Cl.** **15-03**

(52) **U.S. Cl.**
USPC **D15/20**

(58) **Field of Classification Search**
USPC D15/10, 20, 22-26, 28, 30, 33; 180/20, 180/89.12; 280/104, 124.11; 404/122, 404/132, 125, 90
CPC E02D 3/026; E02D 3/00; E02D 3/074; B30B 15/00; E01C 19/27; E01C 19/41; E01C 19/22; E01C 19/38; E01C 19/286; E01C 19/4853; E01C 19/238
See application file for complete search history.

(56) **References Cited**

U.S. PATENT DOCUMENTS

D396,431 S *	7/1998	Lindgren	D12/14
D516,094 S *	2/2006	Dotsch	D15/20
D611,505 S *	3/2010	Loew	D15/20
D611,506 S *	3/2010	Loew	D15/20
D668,269 S *	10/2012	Tezuka	D15/20
D668,694 S *	10/2012	Tezuka	D15/31
D676,463 S *	2/2013	Ewringmann	D15/20

D694,278 S *	11/2013	Ewringmann	D15/20
D694,279 S *	11/2013	Ewringmann	D15/20
D699,764 S *	2/2014	Loew	D15/20
D720,779 S *	1/2015	Loew	D15/20
D728,629 S *	5/2015	Loew	D15/20
D749,142 S *	2/2016	Erdmann	D15/20
D749,143 S *	2/2016	Erdmann	D15/20
D765,735 S *	9/2016	Roemer	D15/20
D789,424 S *	6/2017	Roemer	D15/20
D796,557 S *	9/2017	Loew	D15/20
D800,792 S *	10/2017	Loew	D15/20
D800,793 S *	10/2017	Loew	D15/20
D800,794 S *	10/2017	Loew	D15/20
D800,795 S *	10/2017	Loew	D15/20
D819,704 S *	6/2018	Loew	D15/20
D853,450 S *	7/2019	Loew	D15/20
D853,451 S *	7/2019	Loew	D15/20

* cited by examiner

Primary Examiner — Mark A Goodwin

(74) *Attorney, Agent, or Firm* — Finnegan, Henderson, Farabow, Garrett & Dunner, LLP

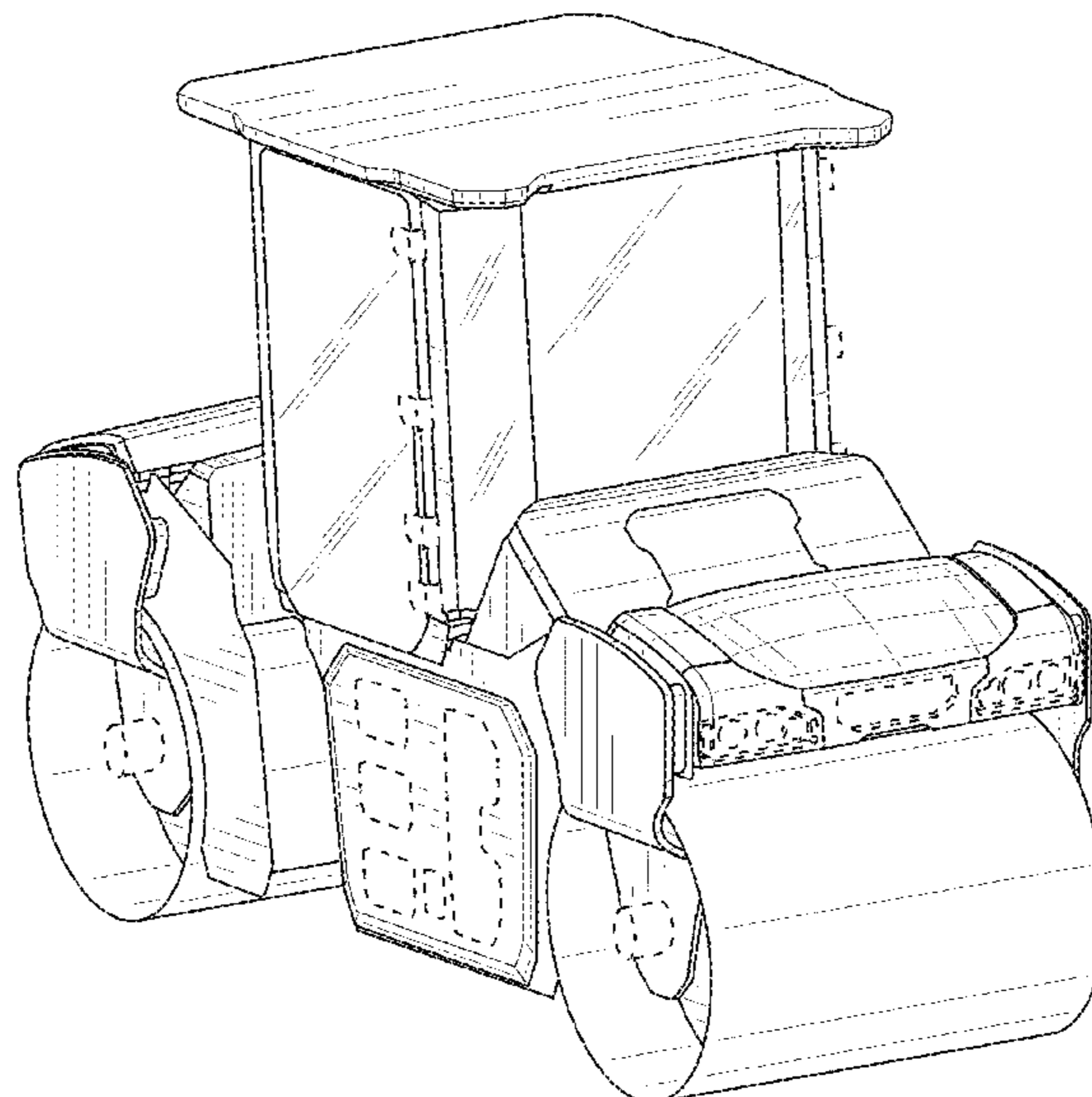
(57) **CLAIM**

The ornamental design for a compactor, as shown and described.

DESCRIPTION

FIG. 1 is a front, top, left perspective view of a compactor showing the new design;
FIG. 2 is a rear, top, right perspective view thereof;
FIG. 3 is a rear, bottom, left perspective view thereof;
FIG. 4 is a front elevation view thereof;
FIG. 5 is a rear elevation view thereof;
FIG. 6 is a left side view thereof;
FIG. 7 is a right side view thereof;
FIG. 8 is a top plan view thereof; and,
FIG. 9 is a bottom plan view thereof.
The broken lines of even length shown in the drawings illustrate portions of the compactor that form no part of the claimed design.

1 Claim, 9 Drawing Sheets



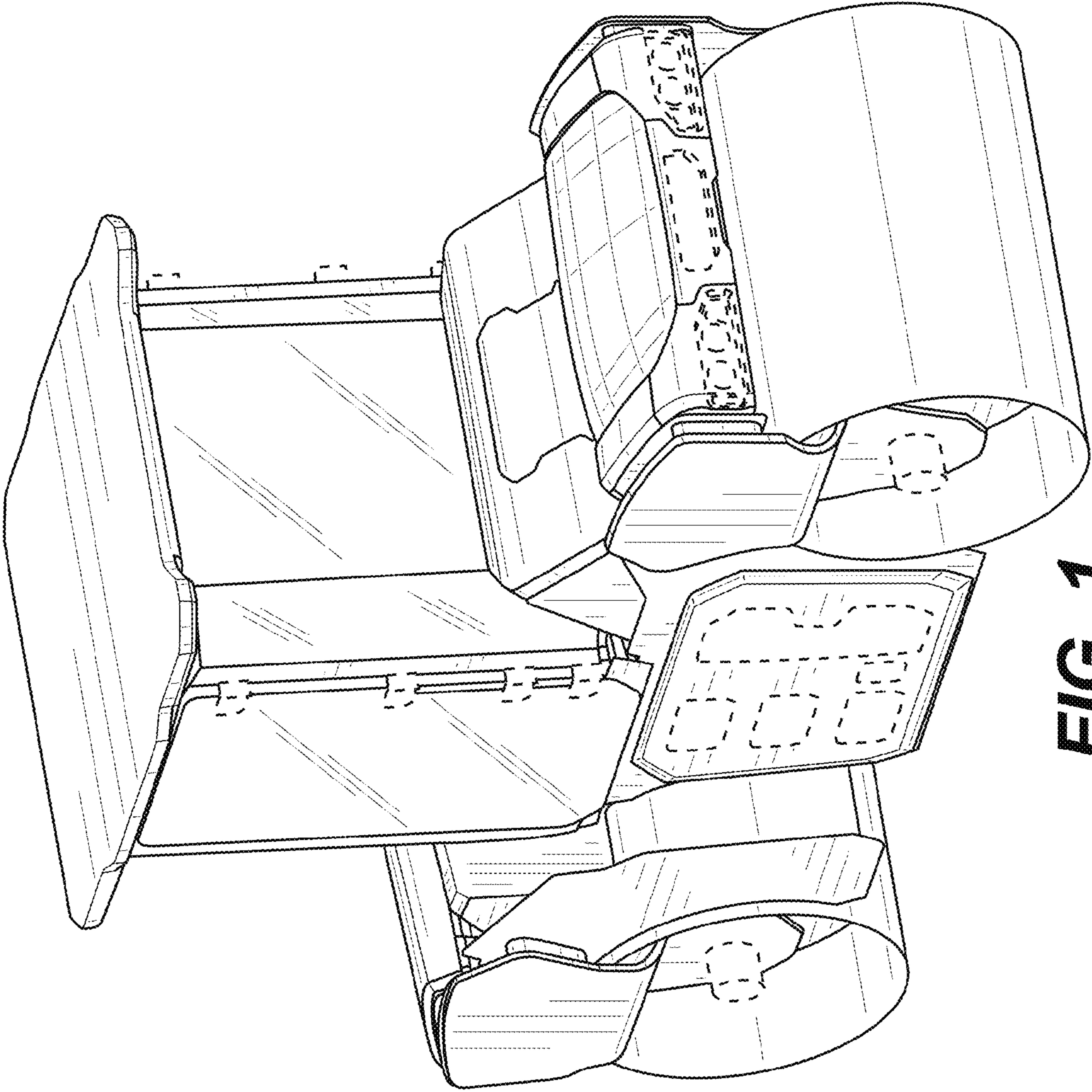


FIG. 1

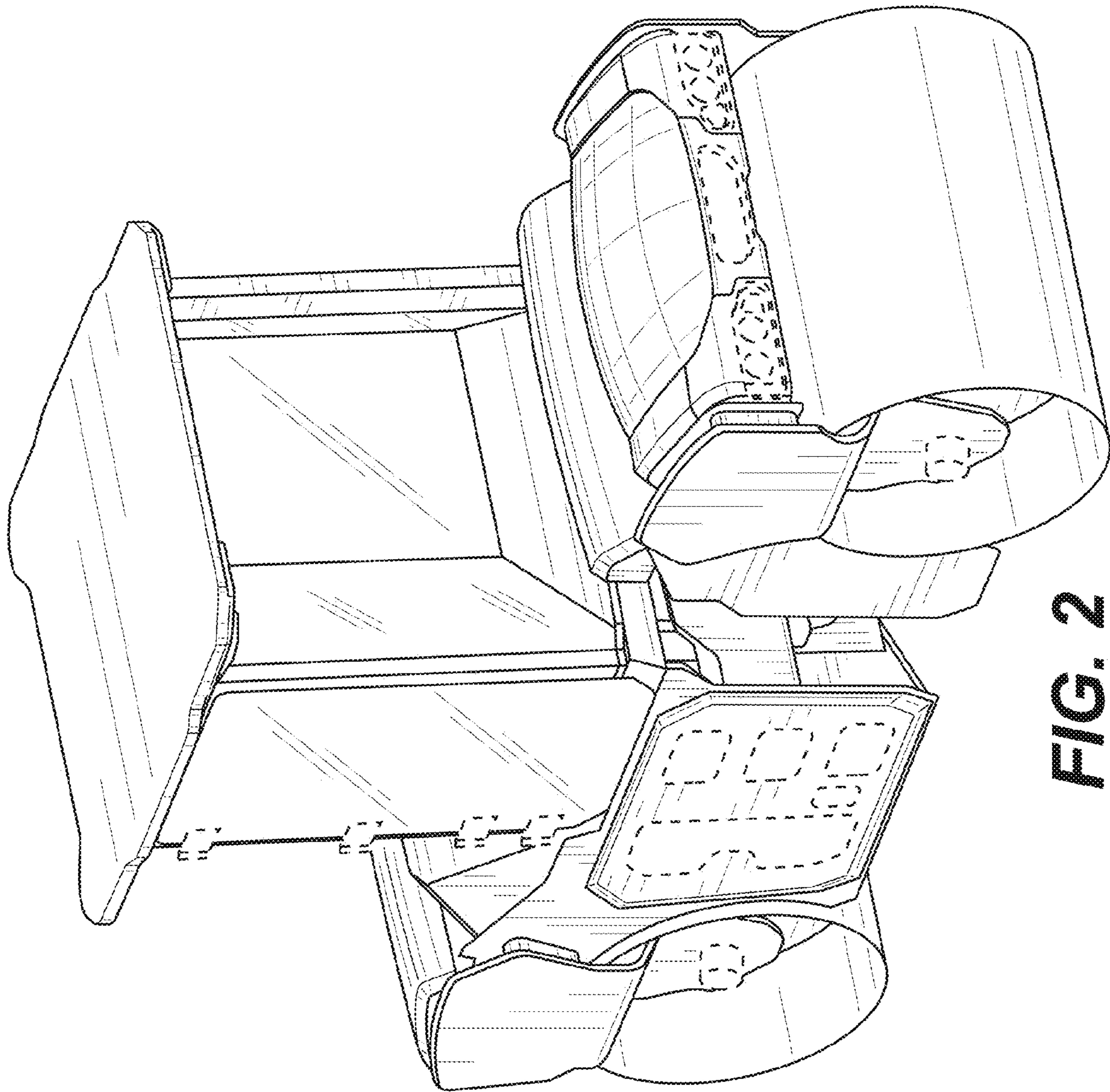


FIG. 2

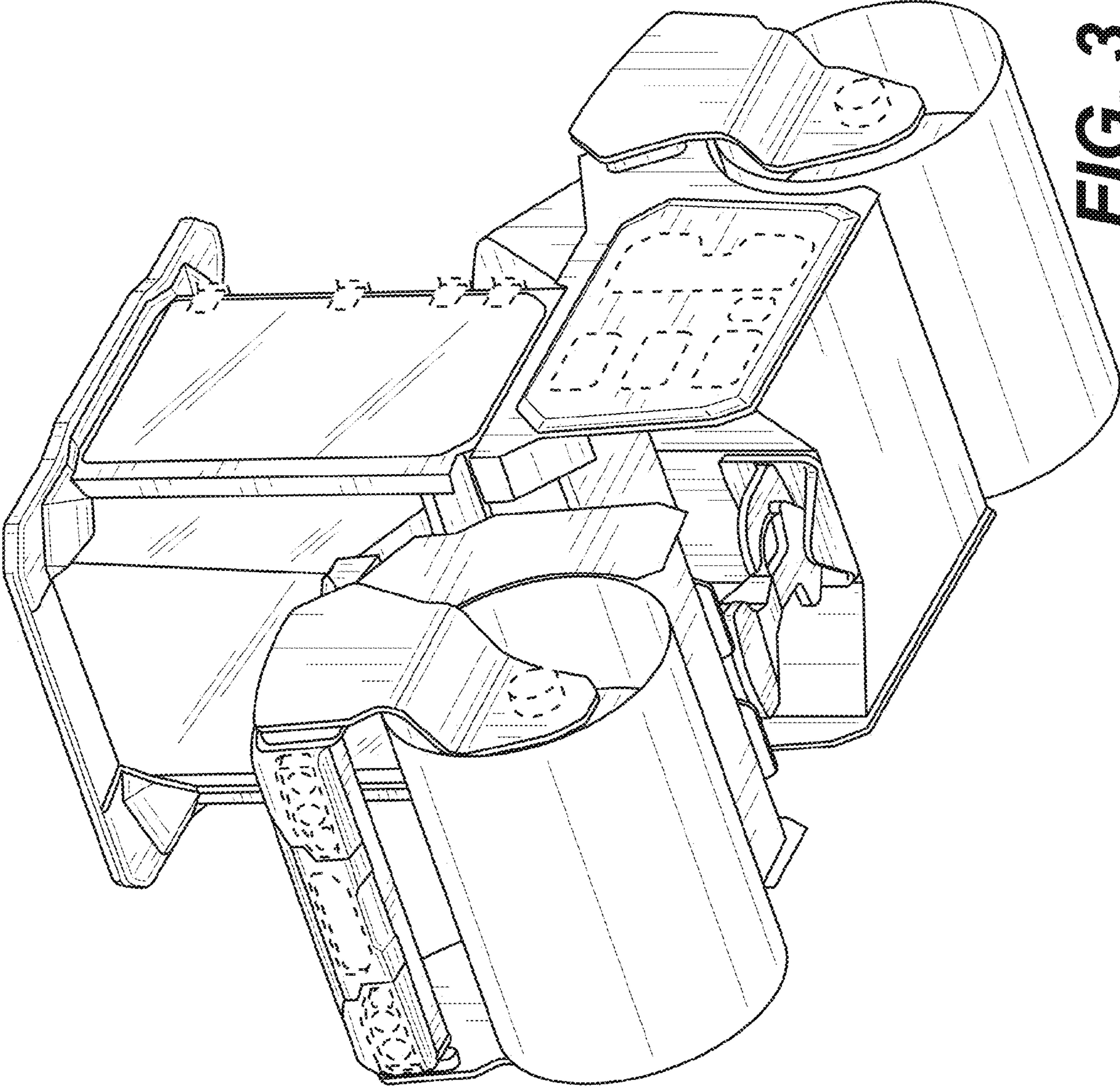


FIG. 3

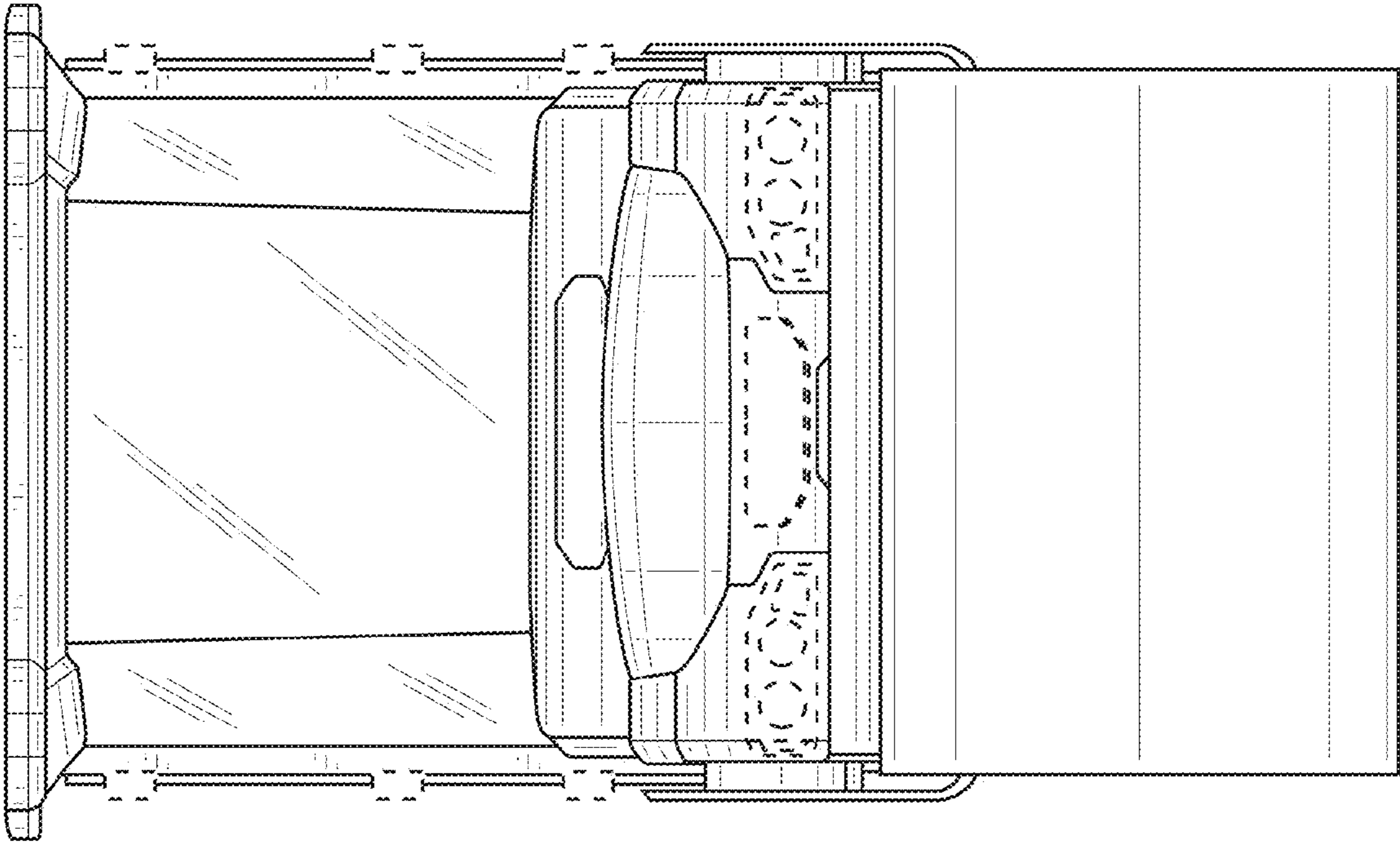


FIG. 4

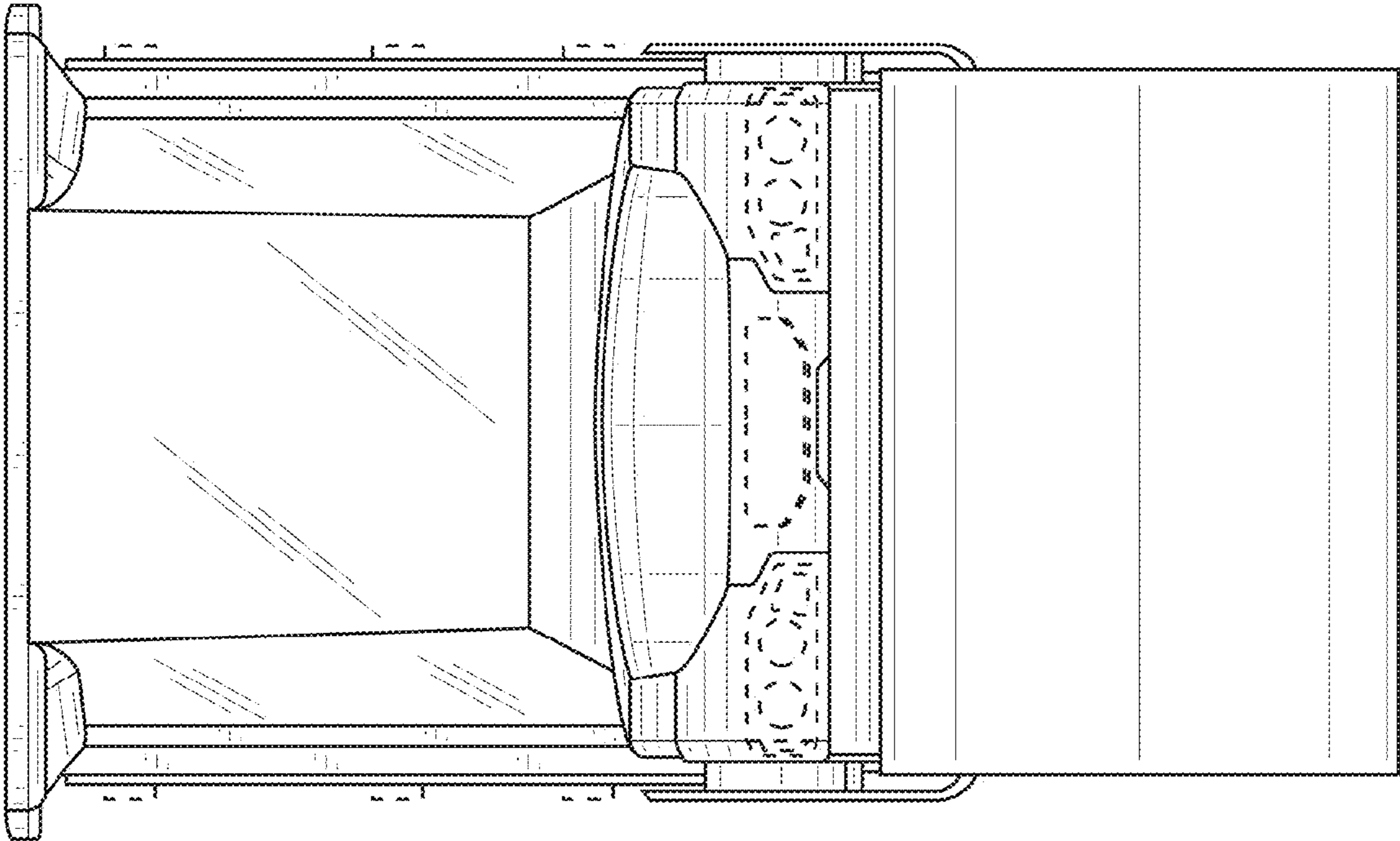


FIG. 5

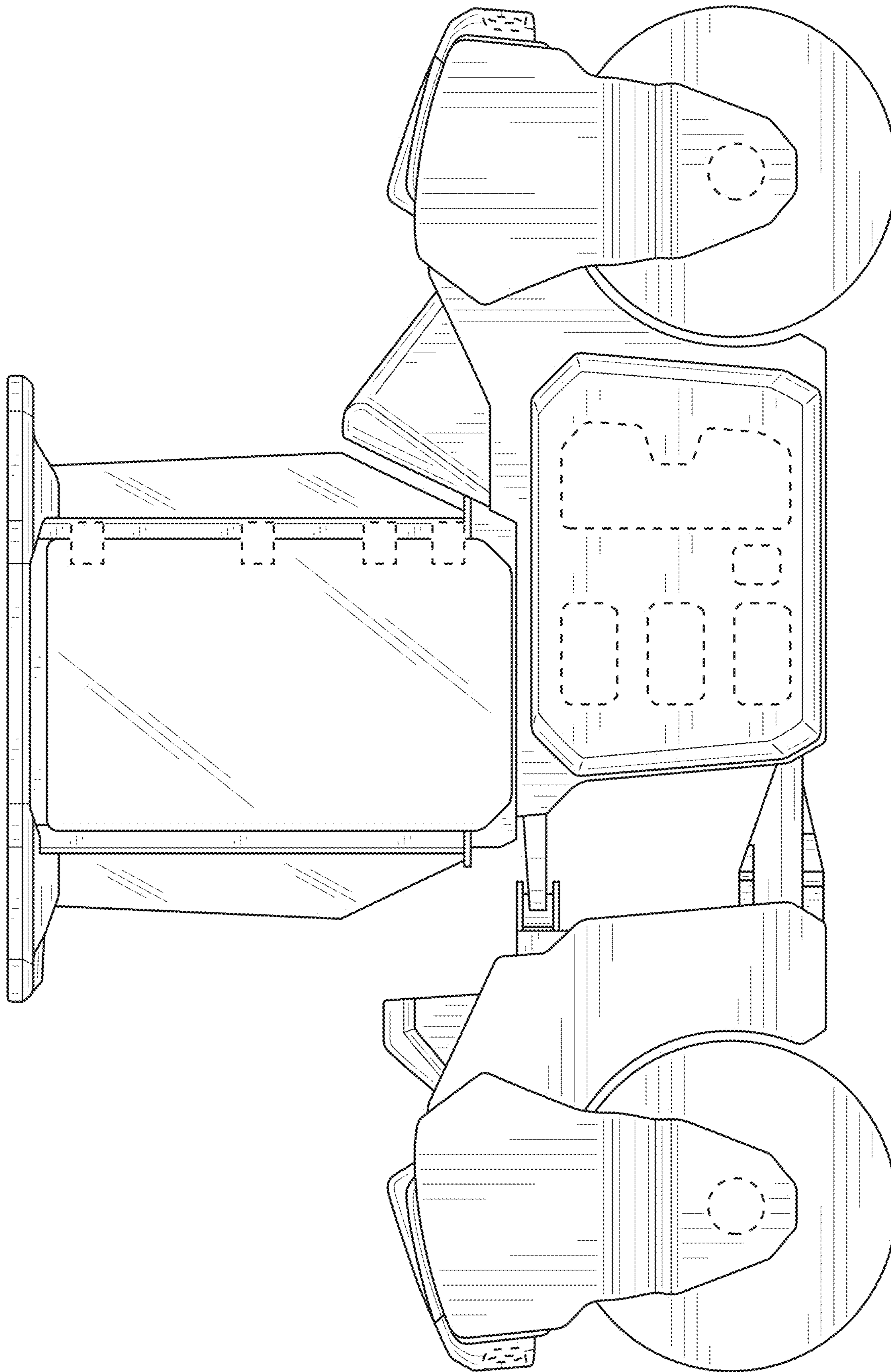


FIG. 6

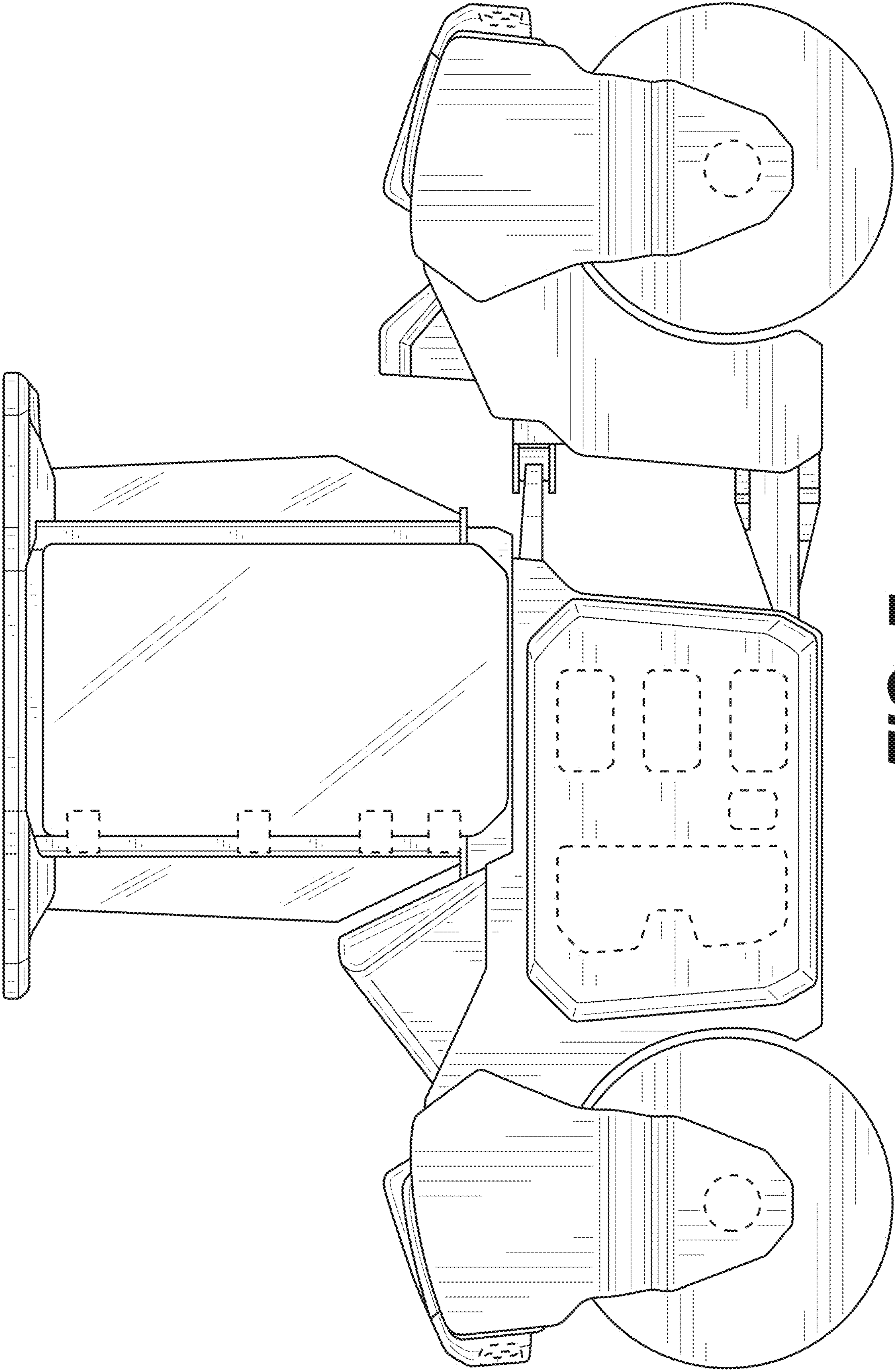


FIG. 7

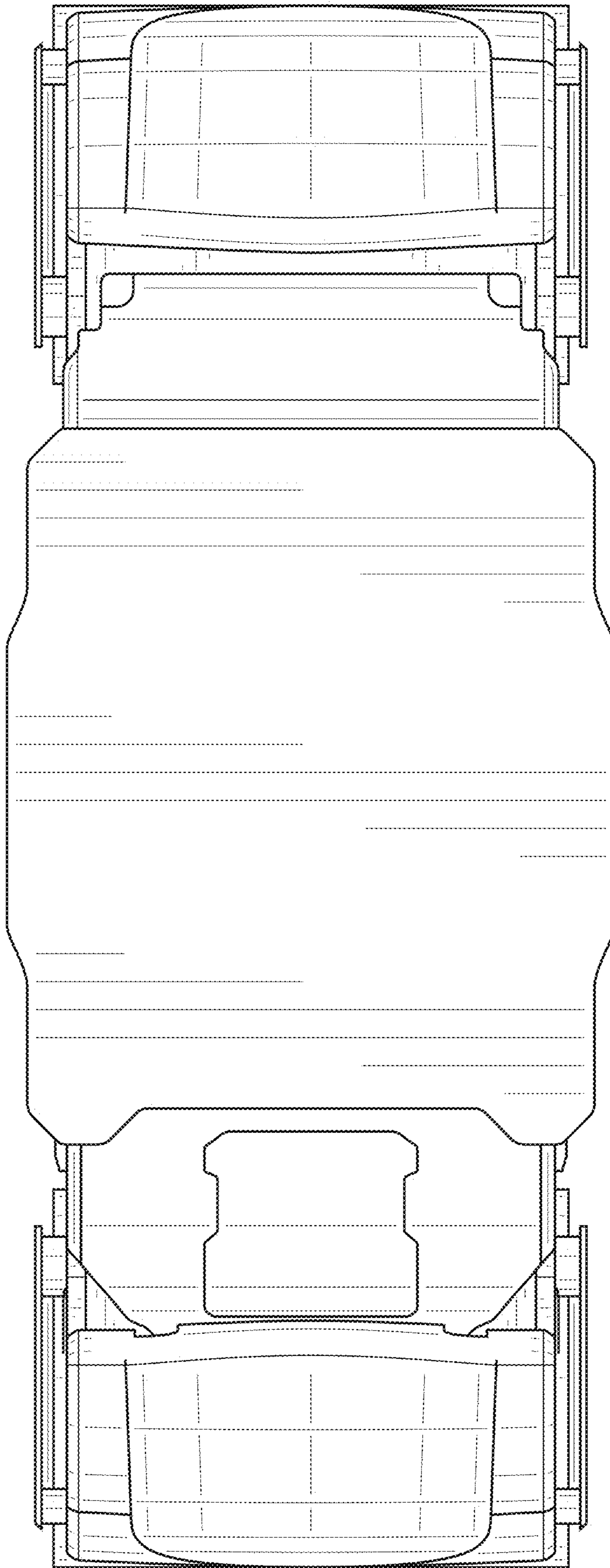


FIG. 8

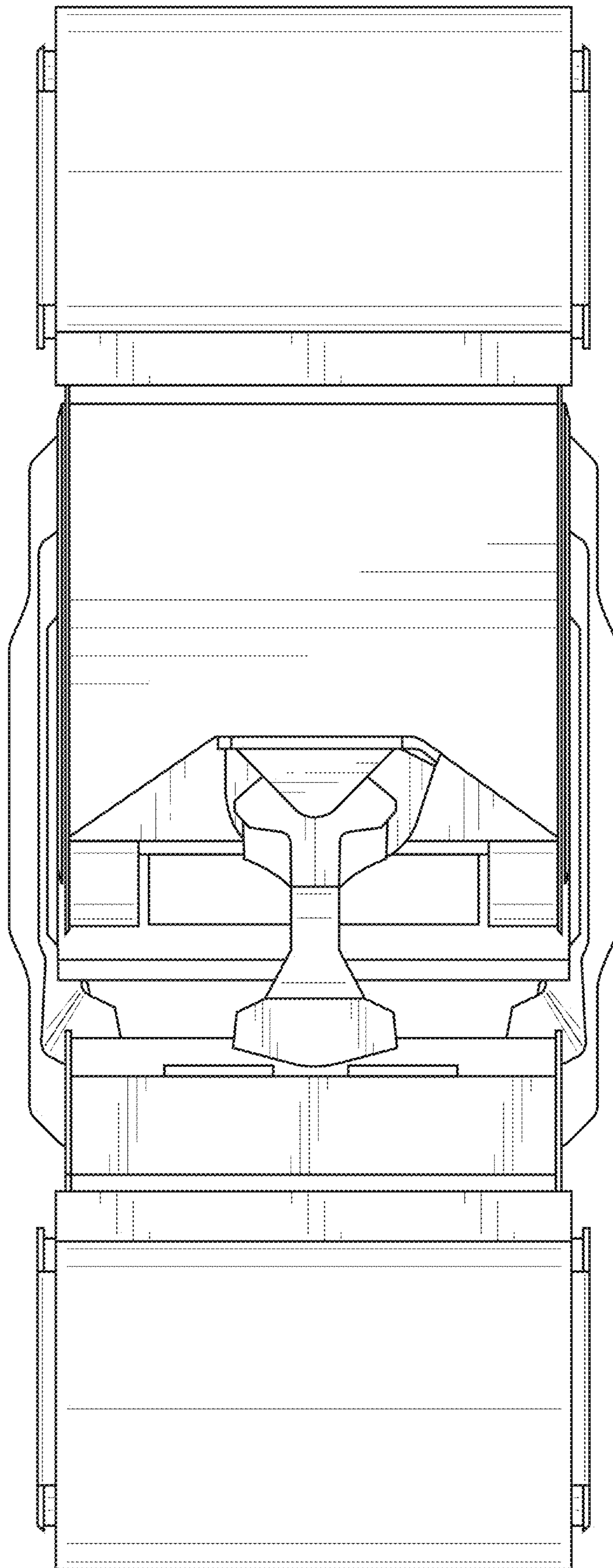


FIG. 9