



US00D896282S

(12) **United States Design Patent**
Wood

(10) **Patent No.:** **US D896,282 S**

(45) **Date of Patent:** **** Sep. 15, 2020**

- (54) **SNOW THROWER HOUSING**
- (71) Applicant: **The Toro Company**, Bloomington, MN (US)
- (72) Inventor: **Charlie Wood**, Delano, MN (US)
- (73) Assignee: **The Toro Company**, Bloomington, MN (US)
- (**) Term: **15 Years**
- (21) Appl. No.: **29/696,303**
- (22) Filed: **Jun. 26, 2019**
- (51) **LOC (12) Cl.** **15-02**
- (52) **U.S. Cl.**
USPC **D15/11**
- (58) **Field of Classification Search**
USPC D15/11, 124, 125, 126, 138, 139
CPC .. E01H 5/04; E01H 5/098; E01H 5/09; E01H 5/045; E01H 5/06; E01H 5/061; E01H 5/066; E01H 5/02
See application file for complete search history.

- 6,035,561 A * 3/2000 Paytas E01H 5/045
180/68.5
- 7,591,086 B2 * 9/2009 Sueshige E01H 5/045
16/380
- 7,703,223 B2 * 4/2010 Walker E01H 5/045
37/244
- 7,836,614 B2 * 11/2010 Parker E01H 5/106
37/246

(Continued)

Primary Examiner — Mark A Goodwin
Assistant Examiner — Benjamin M Weeks
 (74) *Attorney, Agent, or Firm* — Pauly, DeVries Smith & Deffner LLC

(57) **CLAIM**

The ornamental design for a snow thrower housing, as shown and described.

DESCRIPTION

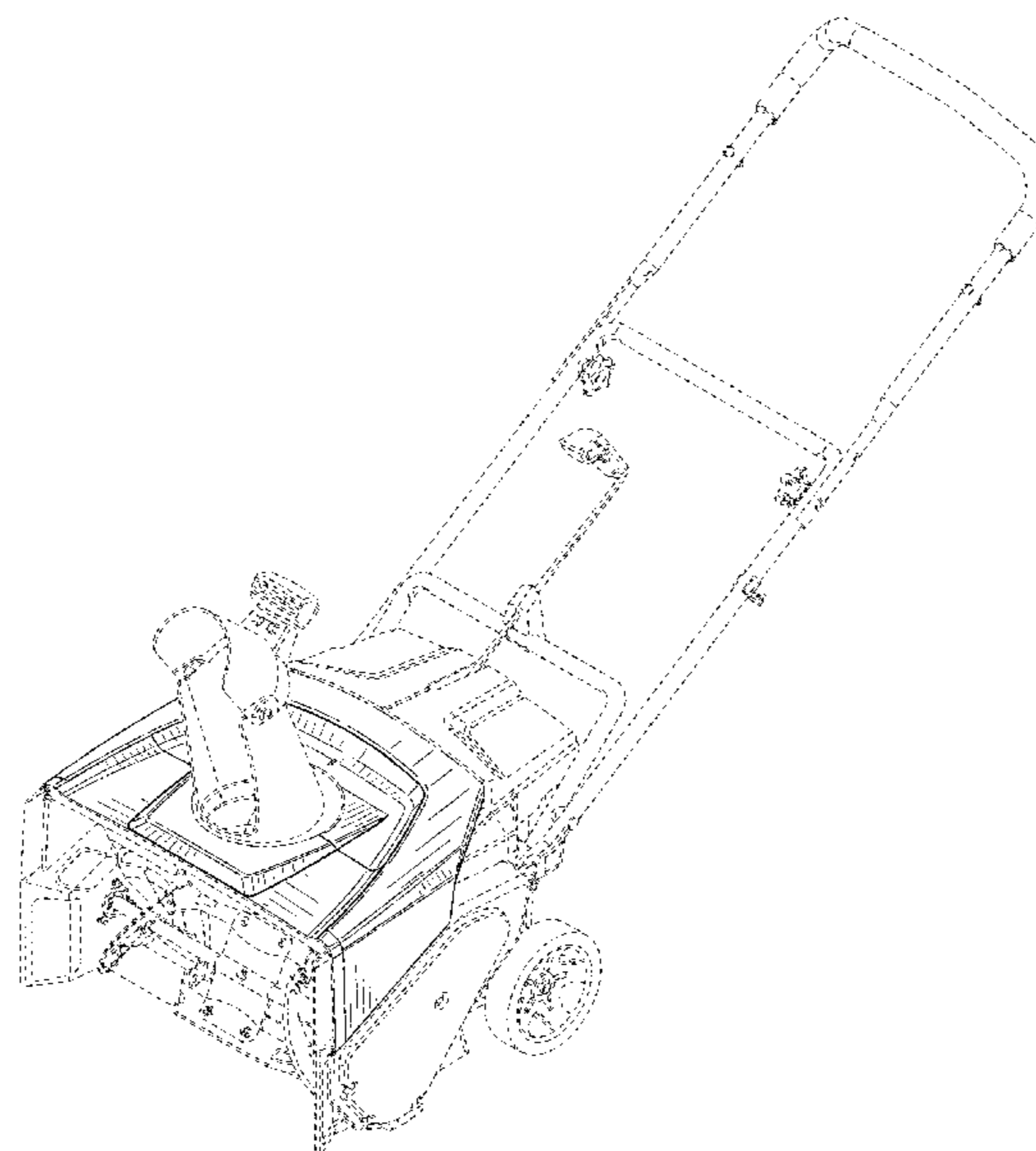
FIG. 1 is a right side perspective view of a snow thrower housing showing our new design in its environmental use mounted to a snow thrower shown in broken line.
 FIG. 2 is an enlarged view thereof;
 FIG. 3 is a left side perspective view thereof;
 FIG. 4 is a front elevational view thereof;
 FIG. 5 is a rear elevational view thereof;
 FIG. 6 is a left side elevational view thereof;
 FIG. 7 is a right side elevational view thereof; and,
 FIG. 8 is a top plan view thereof.
 Evenly dashed lines in the figures show environmental details that form no part of the claim. Portions of the drawings in dash-dot lines define unclaimed boundaries. In some figures, unclaimed portions have been removed from view to reveal claimed detail. The bottom of the snow thrower housing forms no part of the claimed design. The labels used herein to describe orientation (e.g. front, rear, left, right) are merely for reference and are not intended to limit the interpretation of the design.

(56) **References Cited**

U.S. PATENT DOCUMENTS

- 1,770,587 A * 7/1930 Carpenter E01H 5/096
37/248
- 2,768,453 A * 10/1956 Adams, Jr. E01H 5/04
37/252
- 2,770,894 A * 11/1956 Gettelman E01H 5/04
37/260
- D186,948 S * 12/1959 Douglas D15/12
- 4,205,468 A * 6/1980 Greider E01H 5/045
37/260
- 4,294,027 A * 10/1981 Edwards E01H 5/04
37/259
- D262,797 S * 1/1982 Arthur D15/12
- 4,761,901 A * 8/1988 Szafarz B26D 7/22
15/378

1 Claim, 8 Drawing Sheets



(56)

References Cited

U.S. PATENT DOCUMENTS

8,191,289 B2 * 6/2012 Raftery E01H 5/045
16/18 B
9,206,568 B2 * 12/2015 Distefanis, Jr. E01H 5/045
9,279,222 B2 * 3/2016 Gerrits E01H 5/045
9,290,897 B2 * 3/2016 Schisel E01H 5/098
9,340,938 B2 * 5/2016 Ferrell E01H 5/09
9,464,393 B2 * 10/2016 Mast E01H 5/045
9,481,244 B1 * 11/2016 Koehler E01H 5/045
9,546,461 B2 * 1/2017 Cohen B60K 28/00
9,605,396 B2 * 3/2017 Eavenson, Sr. E01H 5/09
D808,440 S * 1/2018 Tucker D15/11
9,903,079 B2 * 2/2018 Palicki E01H 5/045
D824,427 S * 7/2018 Cohen D15/12
10,162,349 B2 * 12/2018 Loghry, Sr. G05D 1/0016
10,196,788 B2 * 2/2019 Yamazaki E01H 5/061
10,208,442 B2 * 2/2019 Mast E01H 5/098
D850,491 S * 6/2019 Cohen D15/12
D850,492 S * 6/2019 Cohen D15/12
D850,493 S * 6/2019 Cohen D15/12
10,428,477 B2 * 10/2019 Hiller E01H 5/098
10,428,479 B2 * 10/2019 Fu E01H 5/045

* cited by examiner

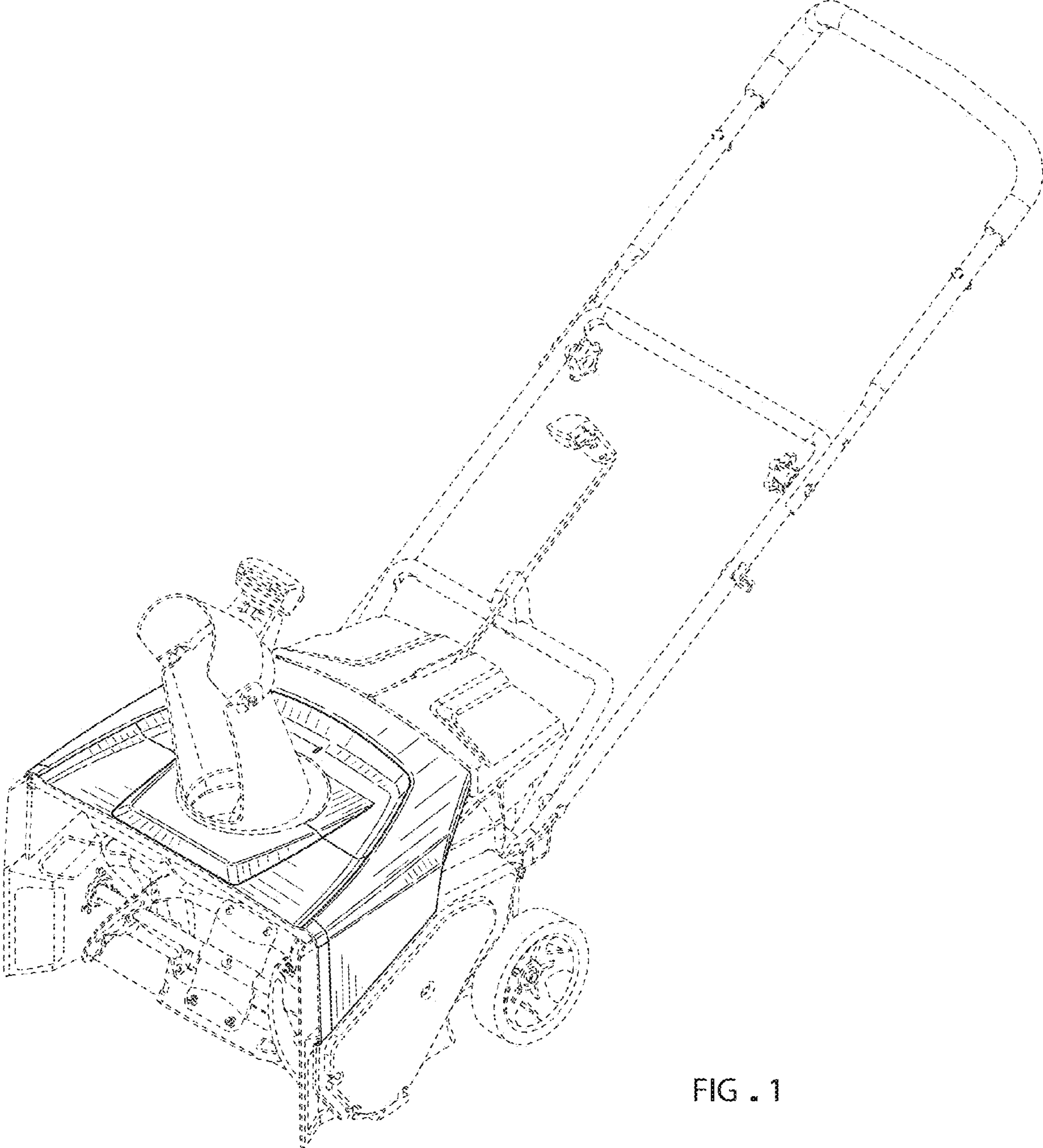


FIG. 1

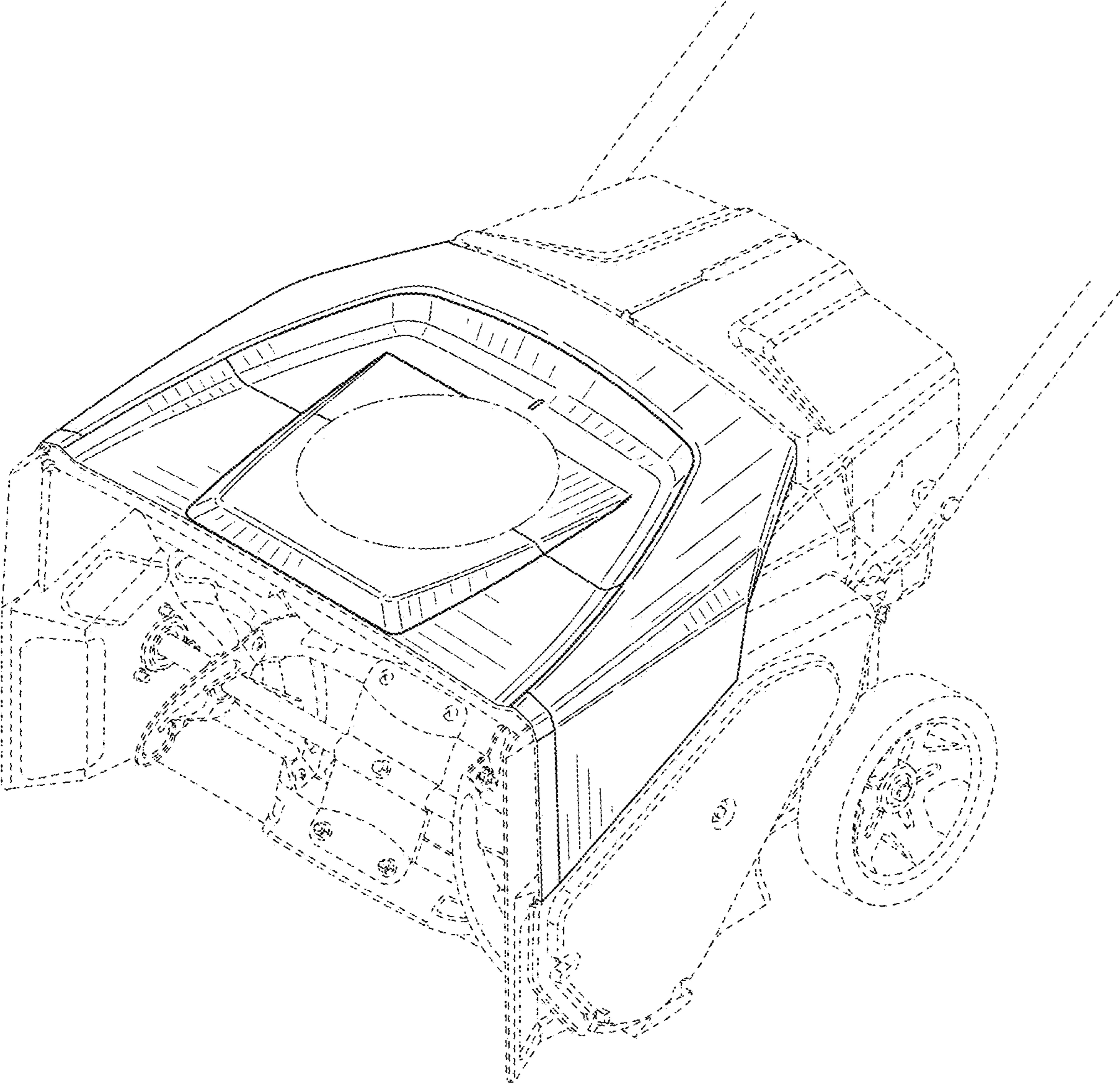


FIG . 2

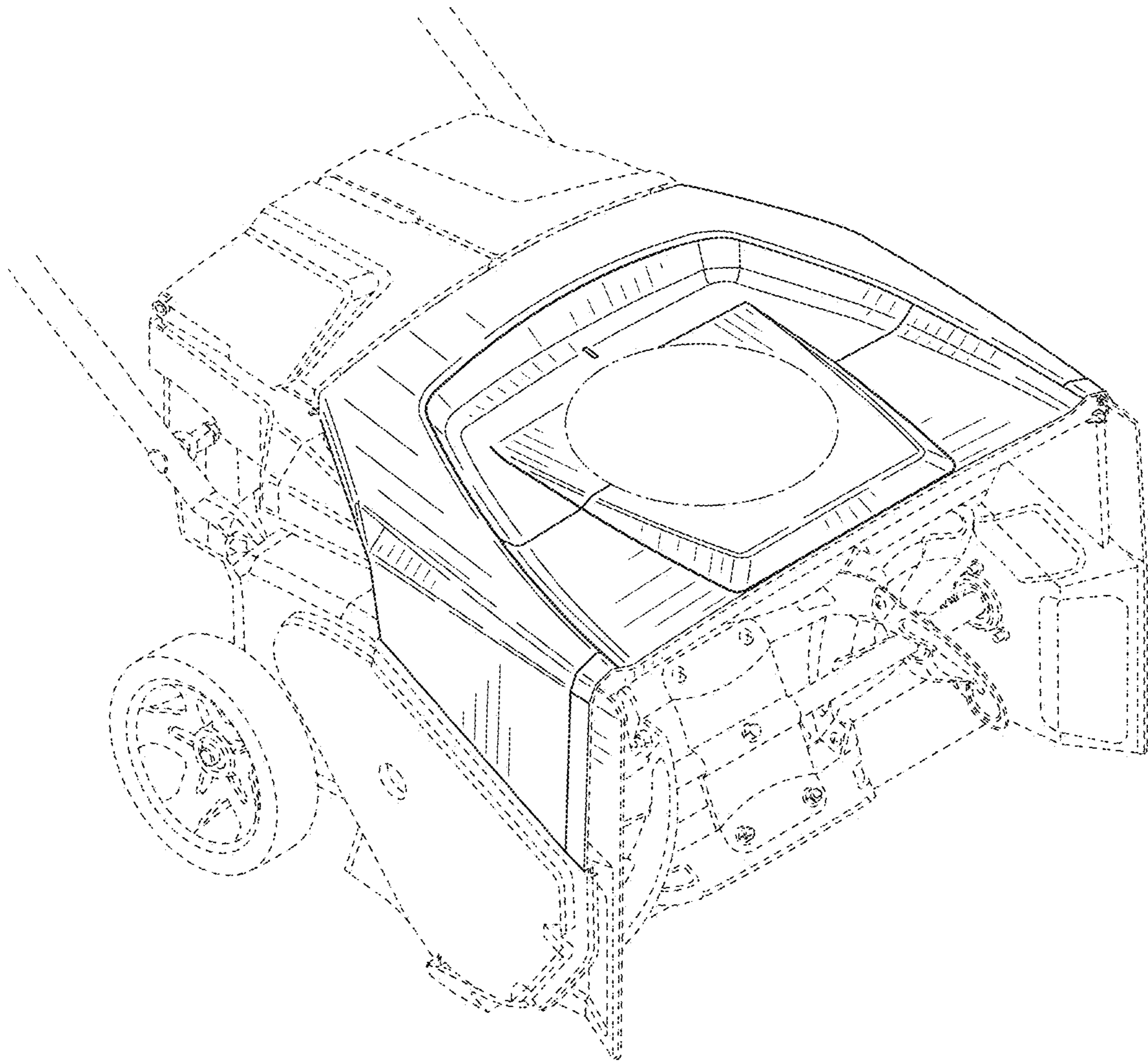


FIG . 3

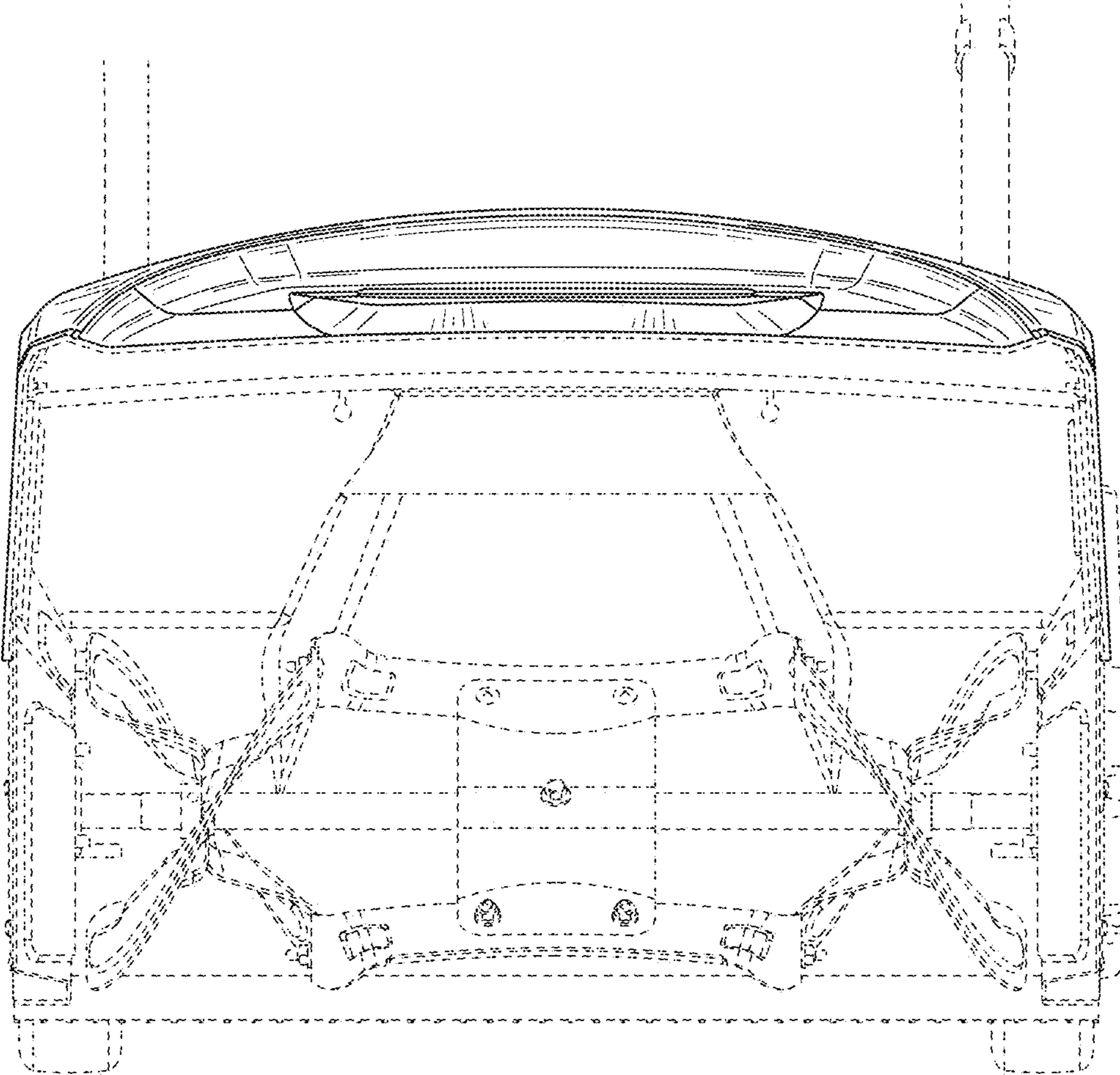


FIG. 4

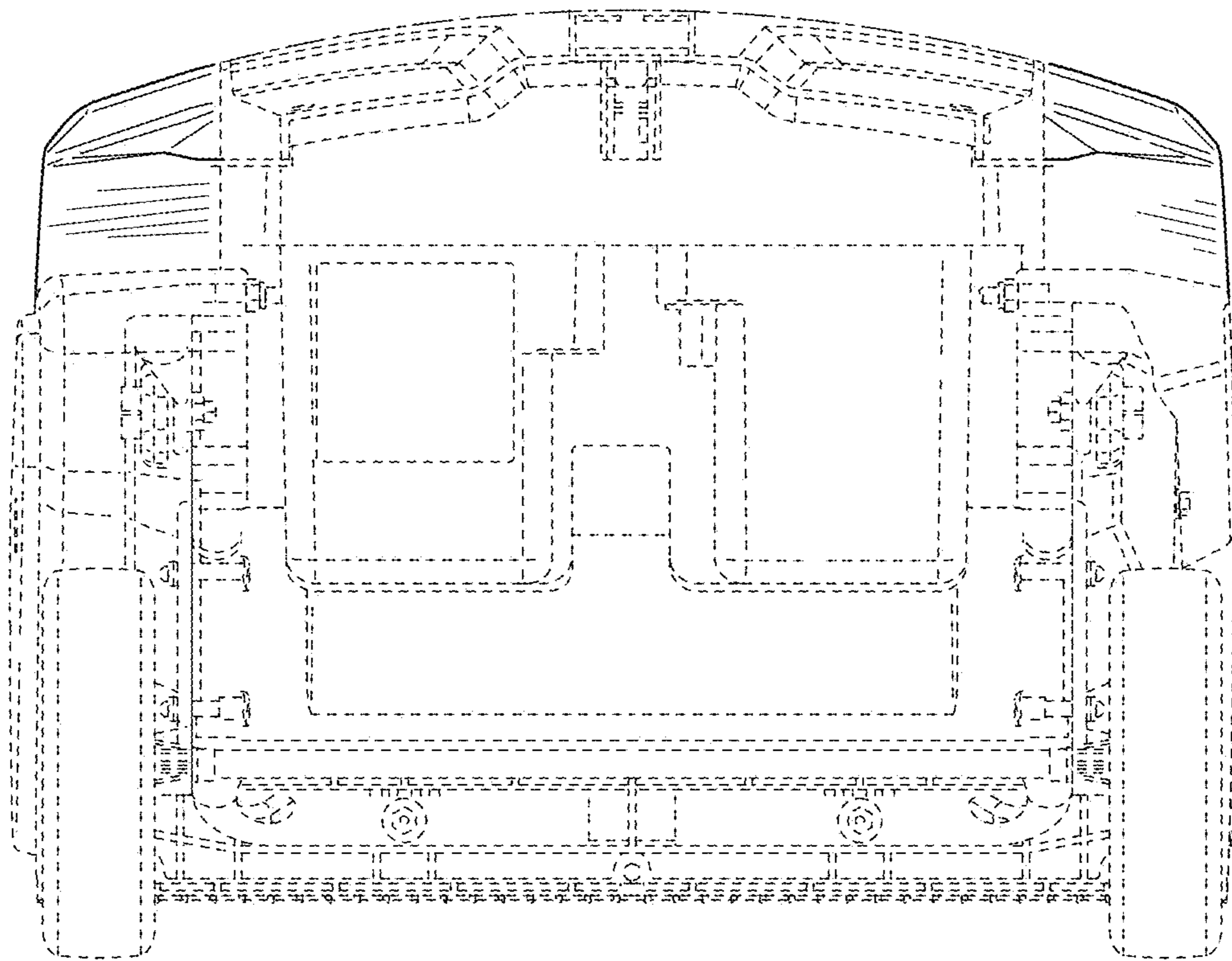


FIG . 5

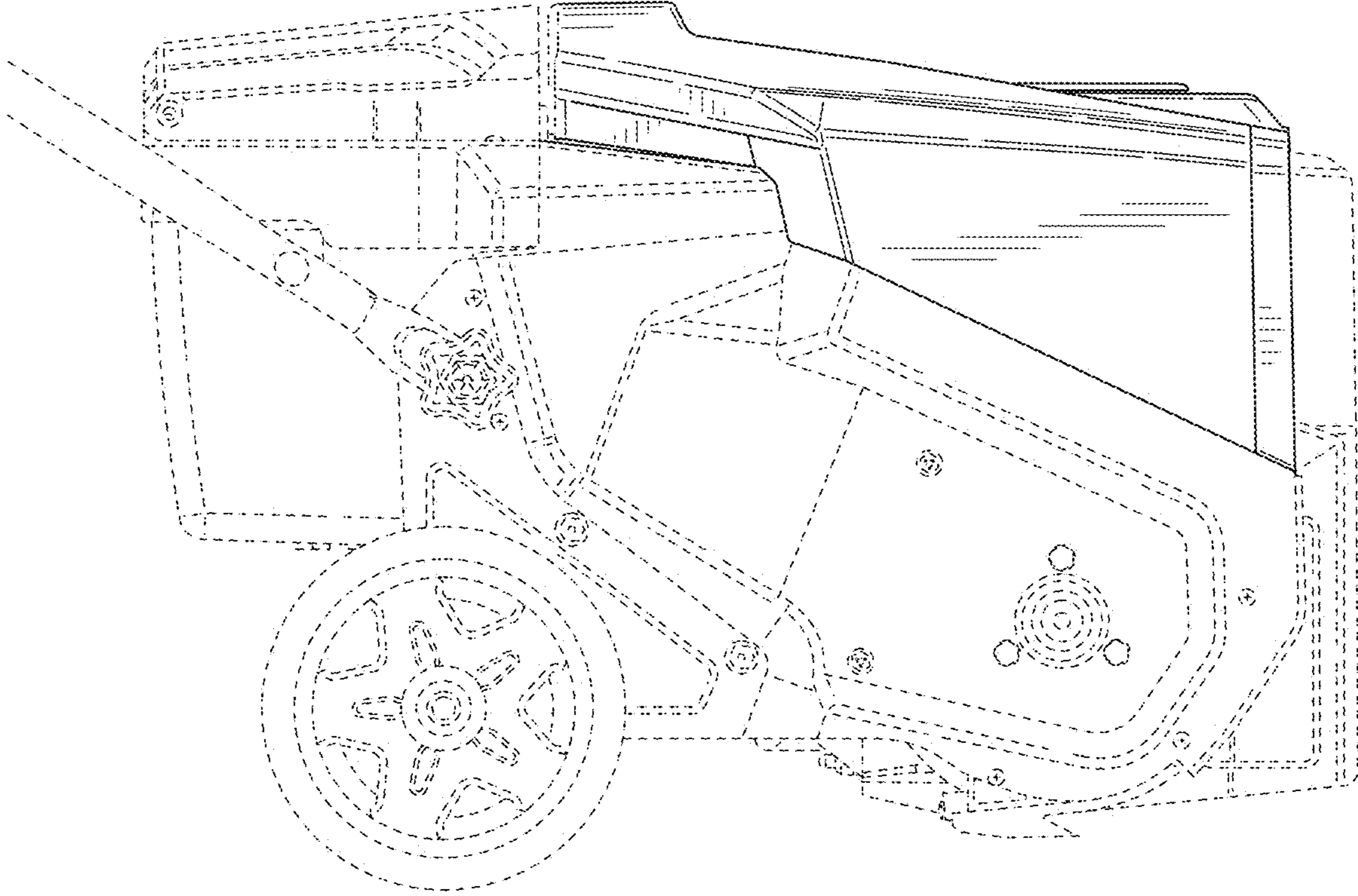


FIG. 6

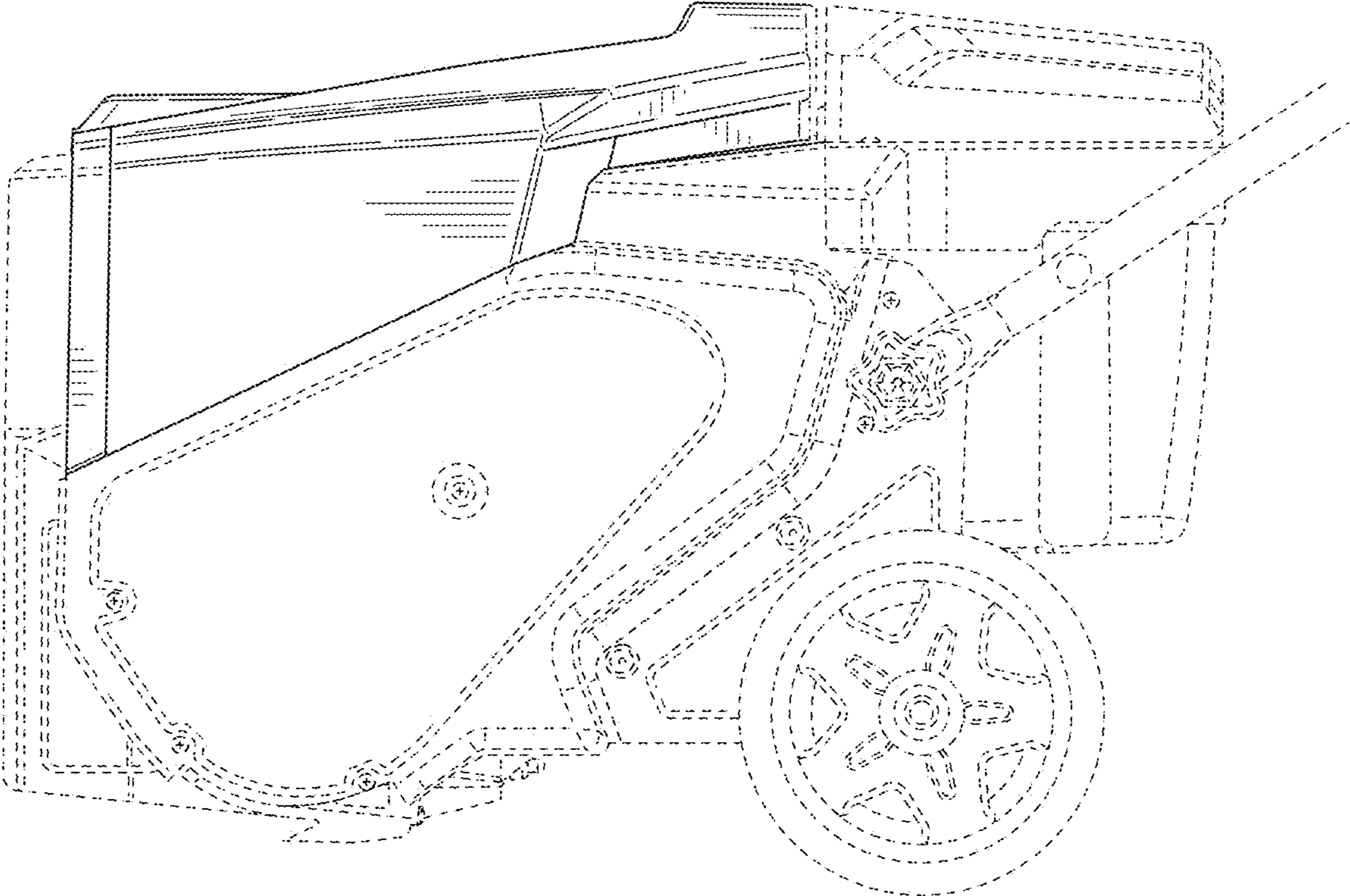


FIG. 7

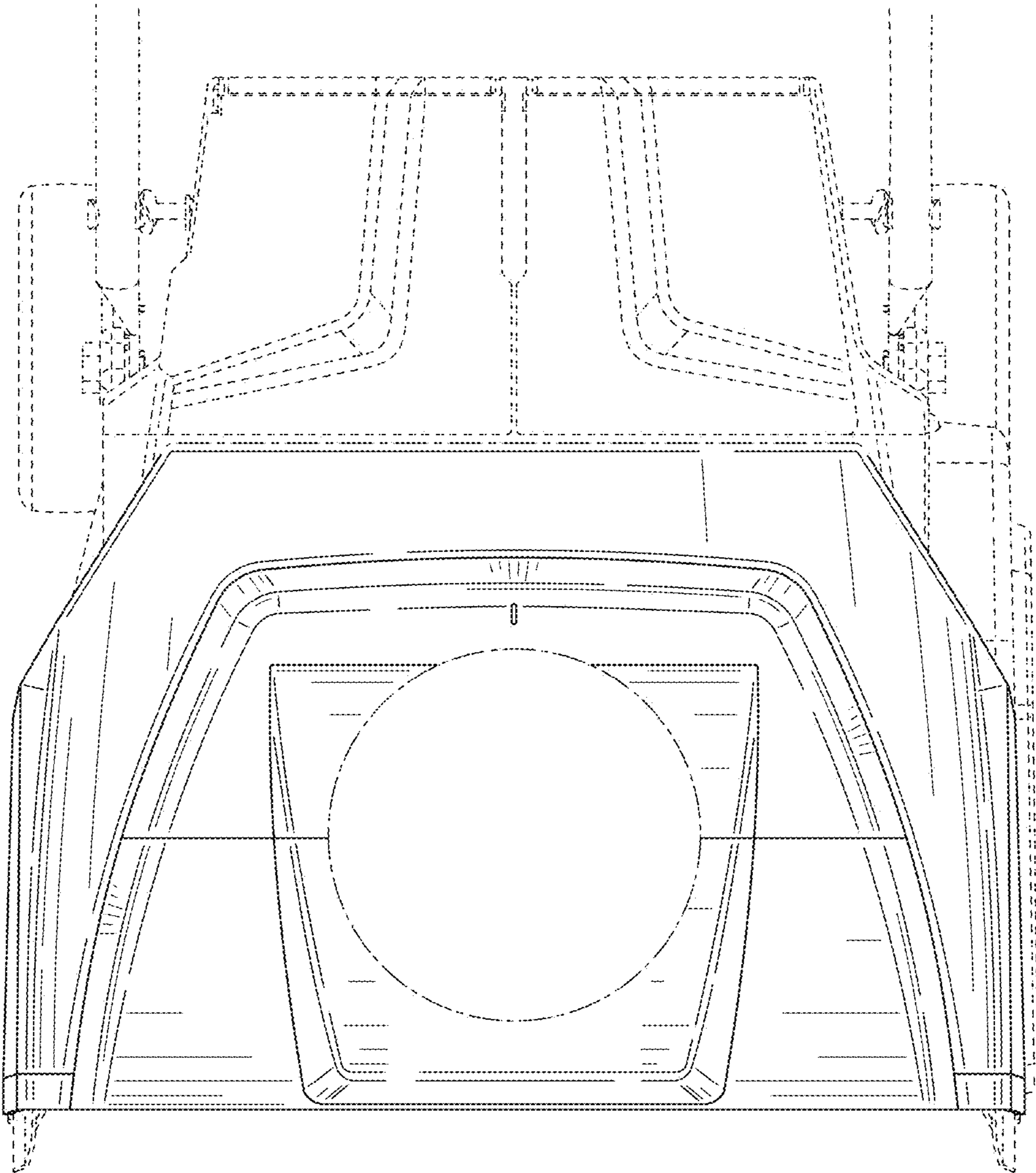


FIG . 8