



US00D896280S

(12) **United States Design Patent** (10) **Patent No.:** **US D896,280 S**
Horning et al. (45) **Date of Patent:** **** Sep. 15, 2020**

- (54) **PISTON ROD**
- (71) Applicant: **Graco Minnesota Inc.**, Minneapolis, MN (US)
- (72) Inventors: **Jeromy D. Horning**, Albertville, MN (US); **August F. Legatt**, Maple Lake, MN (US)
- (73) Assignee: **Graco Minnesota Inc.**, Minneapolis, MN (US)
- (**) Term: **15 Years**
- (21) Appl. No.: **29/677,024**
- (22) Filed: **Jan. 16, 2019**
- (51) **LOC (12) Cl.** **15-01**
- (52) **U.S. Cl.**
USPC **D15/5**
- (58) **Field of Classification Search**
USPC D15/1-9; D23/201, 211, 213, 221, 223, D23/225, 226, 229, 231, 232
CPC B05B 1/18; B05B 1/00-08; B05B 1/20; B05B 15/063; F04B 53/147; F04B 1/0408; F04B 53/146; F04B 19/22; F16J 7/00
See application file for complete search history.

2017/0175734 A1* 6/2017 Roman F04B 43/0072
 2018/0238324 A1* 8/2018 Horning F04B 53/147
 2019/0301615 A1* 10/2019 Horning F04B 53/164

FOREIGN PATENT DOCUMENTS

CN 301263511 S 6/2010
 CN 302688009 S 12/2013
 CN 303533645 S 12/2015
 TW M361580 U1 7/2009
 TW D174523 S 3/2016

OTHER PUBLICATIONS

First Indian Examination Report for in Application No. 319680-001, dated Aug. 14, 2019, pp. 2.

(Continued)

Primary Examiner — Ania Aman

(74) Attorney, Agent, or Firm — Kinney & Lange, P.A.

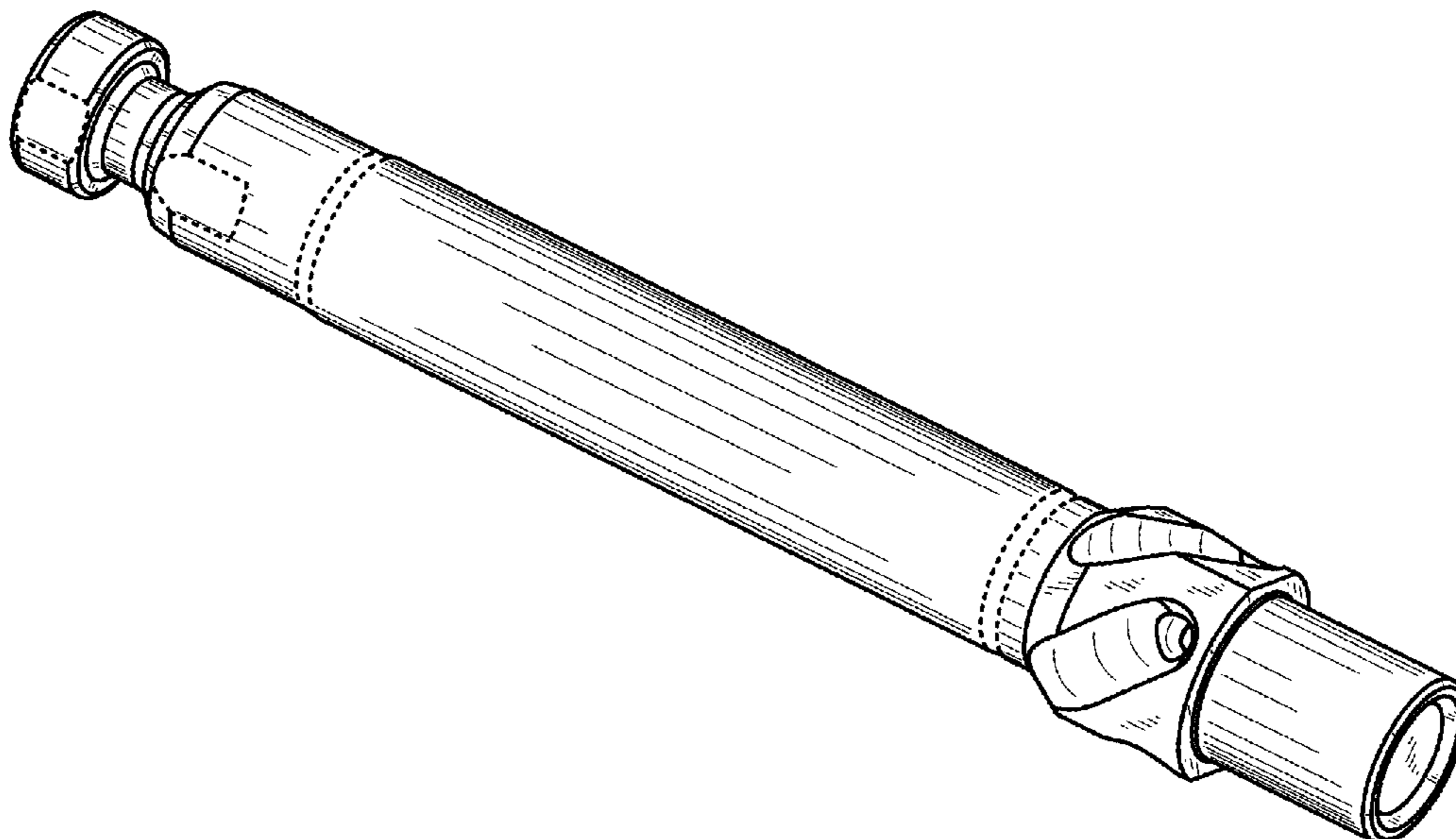
(57) **CLAIM**

The ornamental design for a piston rod, as shown and described.

DESCRIPTION

FIG. 1 is a perspective view of a piston rod.
 FIG. 2 is a side elevational view of a first side of the piston rod.
 FIG. 3 is a side elevational view of a second side of the piston rod.
 FIG. 4 is a side elevational view of a third side of the piston rod.
 FIG. 5 is a side elevational view of a fourth side of the piston rod.
 FIG. 6 is a top plan view of the piston rod; and,
 FIG. 7 is a bottom plan view of the piston rod.
 The broken lines in the Figures depict environmental subject matter only and form no part of the claimed design.

1 Claim, 6 Drawing Sheets



(56)

References Cited

OTHER PUBLICATIONS

First Brazilian Office Action for BR Application No. BR 30 2019
003153-1, dated Aug. 20, 2019, pp. 2.

Second Brazilian Office Action for BR Application No. BR 30 2019
003153-1, dated Nov. 12, 2019, pp. 2.

ROC (Taiwan) Design Search Report for TW Application No.
108304054, dated Jan. 21, 2020, pp. 5.

* cited by examiner

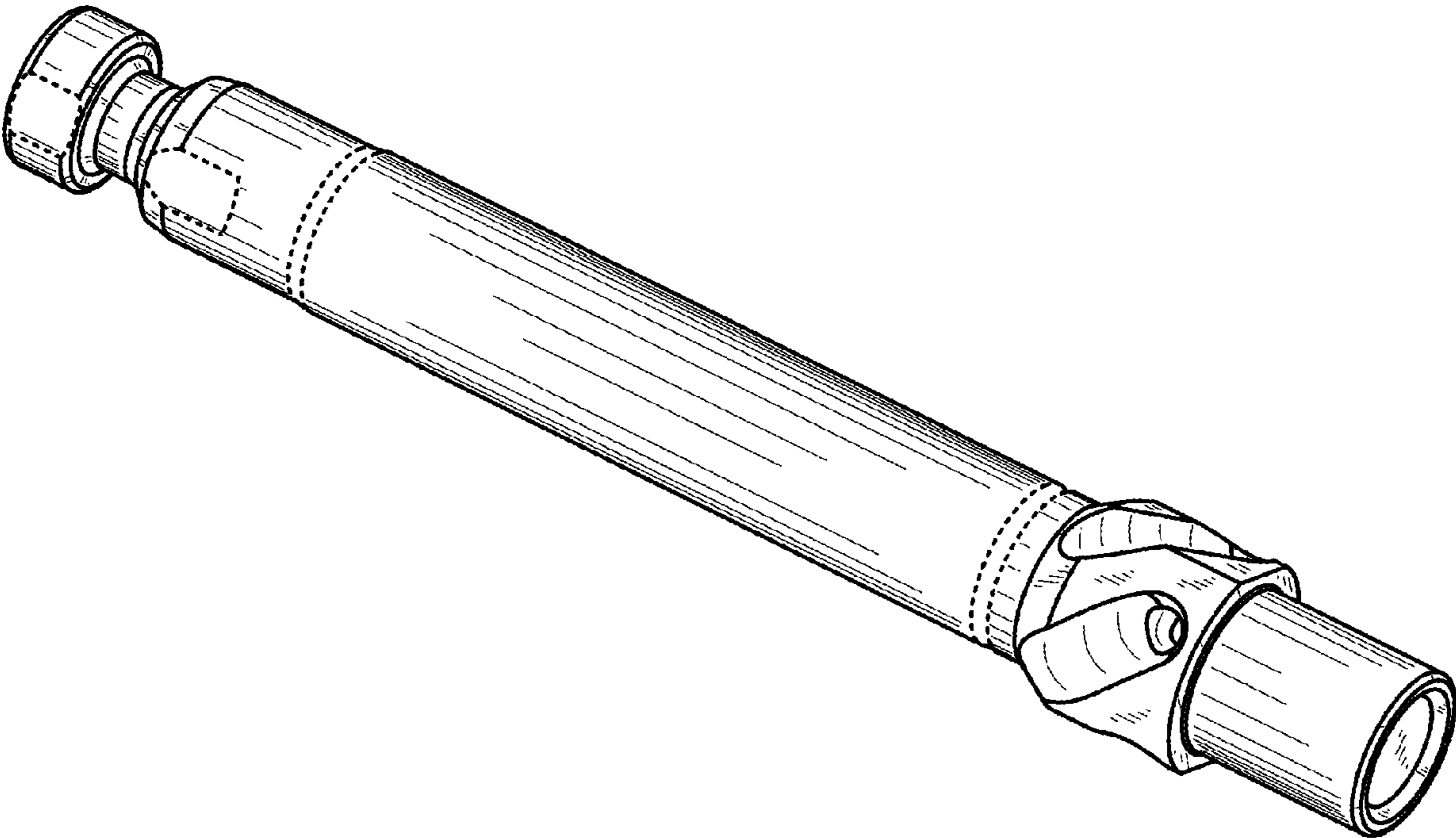


Fig. 1

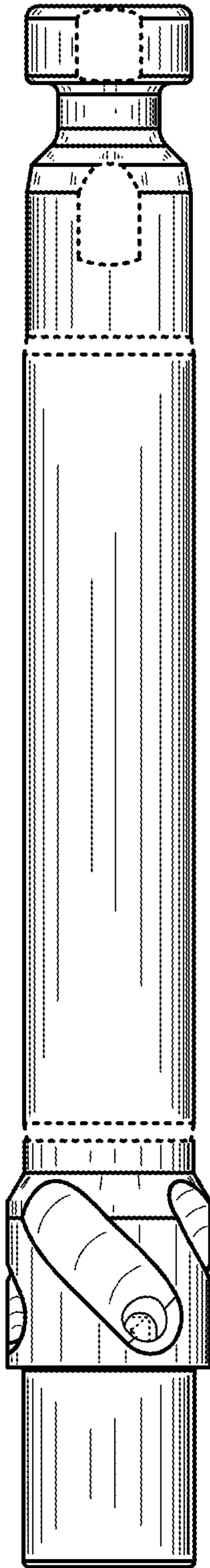


Fig. 2

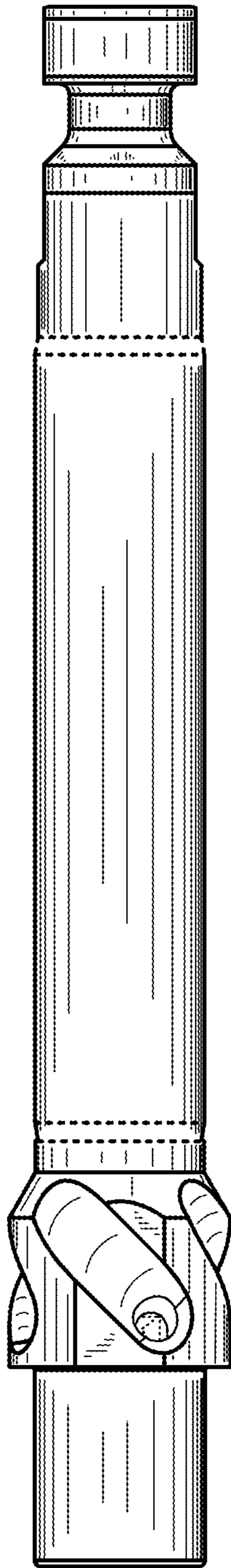


Fig. 3

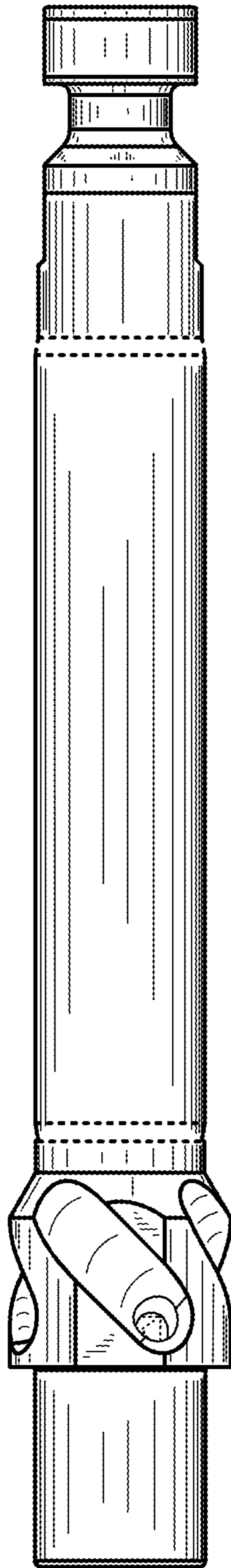


Fig. 4

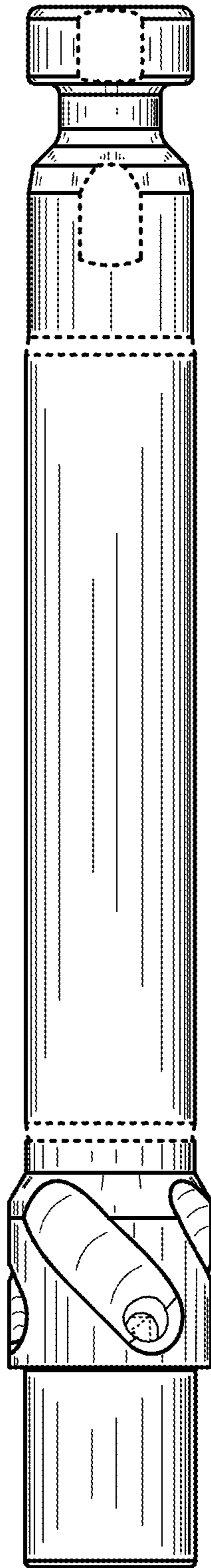


Fig. 5

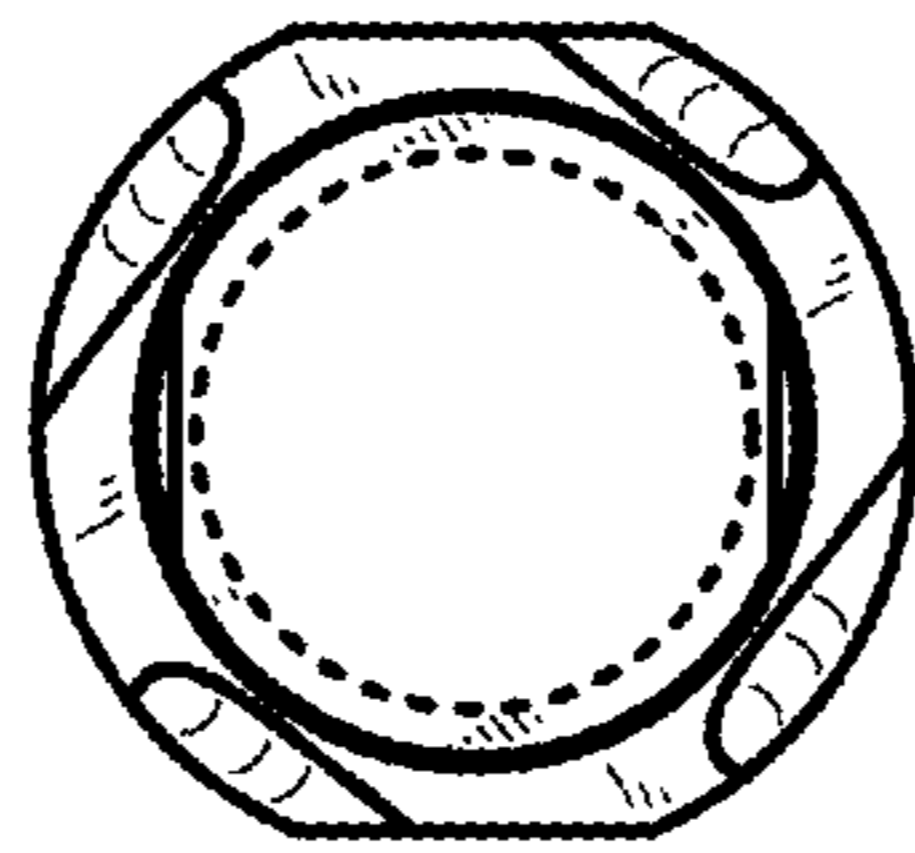


Fig. 6

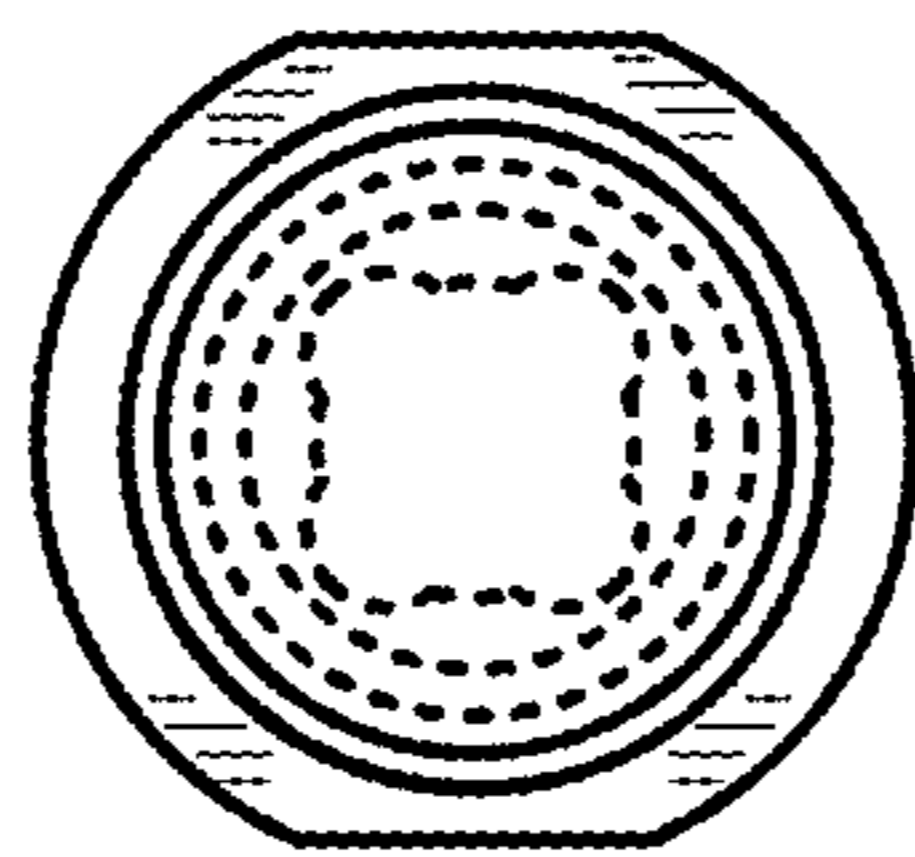


Fig. 7