



US00D896277S

(12) **United States Design Patent** (10) **Patent No.:** **US D896,277 S**  
**Bennett et al.** (45) **Date of Patent:** **\*\* Sep. 15, 2020**

(54) **HIGH-MOUNT SNORKEL**  
(71) Applicant: **OMIX-ADA, INC.**, Ann Arbor, MI (US)  
(72) Inventors: **Patrick W. Bennett**, Gainsville, GA (US); **Eric Lance Russell**, Lilburn, GA (US)  
(73) Assignee: **OMIX-ADA, INC.**, Ann Arbor, MI (US)

D687,071 S 7/2013 Bennett  
D687,072 S 7/2013 Bennett  
8,960,347 B2 \* 2/2015 Bennett ..... B60K 13/02 180/68.3  
9,234,484 B2 1/2016 Lewington et al.  
D774,101 S \* 12/2016 Delgado ..... D15/5  
(Continued)

FOREIGN PATENT DOCUMENTS

WO WO-2017183268 A1 \* 10/2017 ..... F02M 35/10

OTHER PUBLICATIONS

Black Coated RAM Air Snorkel Intake System Kit for 07-11 JK Jeep Wrangler 3.8 V6, ebay.com, last accessed Oct. 22, 2018.

(Continued)

*Primary Examiner* — Ania Aman  
(74) *Attorney, Agent, or Firm* — The Dobrusin Law Firm, P.C.

(\*\*) Term: **15 Years**  
(21) Appl. No.: **29/667,886**  
(22) Filed: **Oct. 25, 2018**  
(51) **LOC (12) Cl.** ..... **15-01**  
(52) **U.S. Cl.**  
USPC ..... **D15/5**  
(58) **Field of Classification Search**  
USPC ..... D15/1, 2, 3, 4, 5  
CPC ..... B60K 13/02; F02M 35/10013  
See application file for complete search history.

(57) **CLAIM**  
The ornamental design for a high mount snorkel, as shown and described.

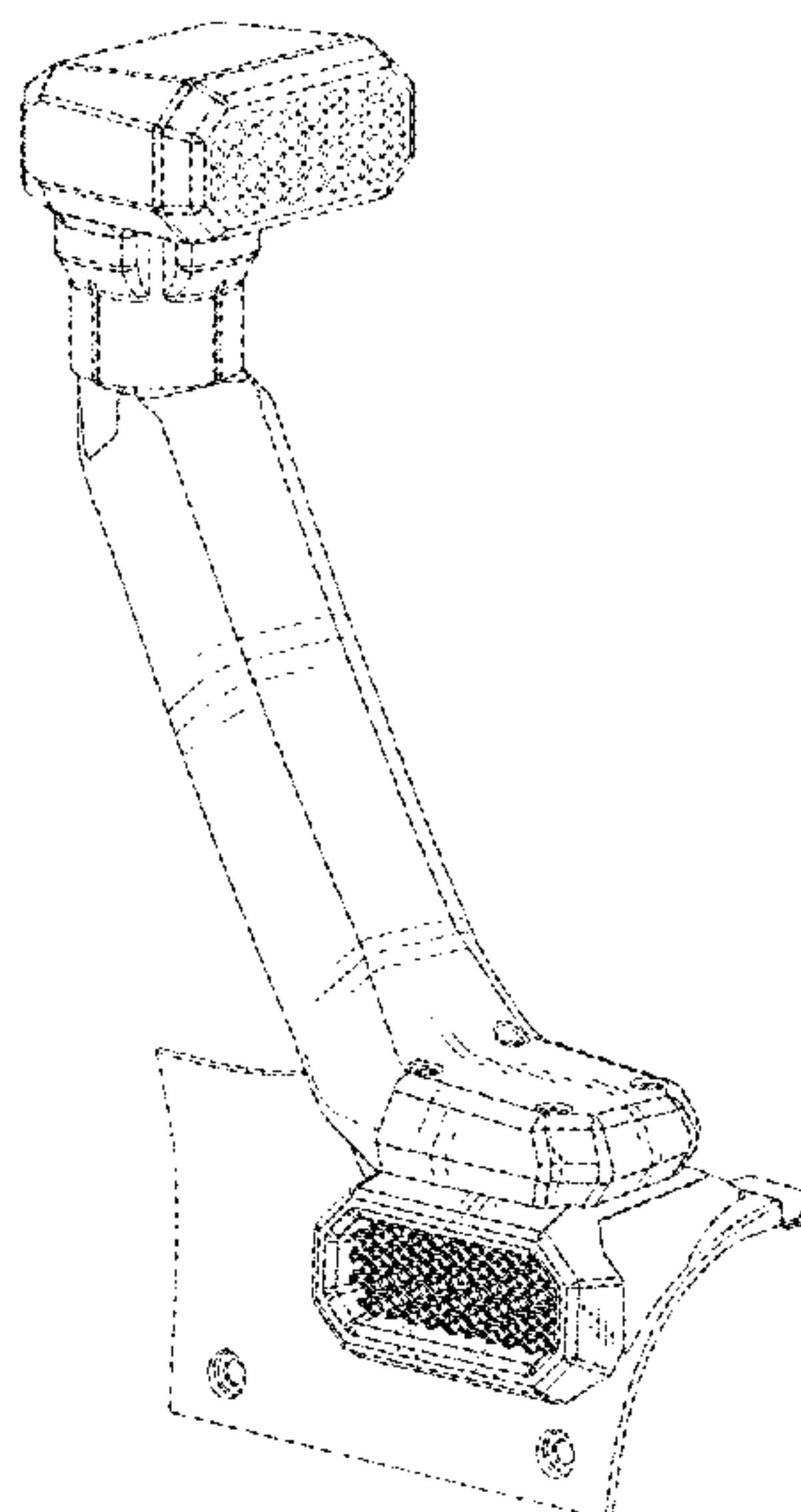
(56) **References Cited**  
U.S. PATENT DOCUMENTS

3,987,862 A	10/1976	Lindstone
4,366,878 A	1/1983	Warf
5,671,802 A	9/1997	Rogers
6,152,096 A	11/2000	Setsuda
6,287,354 B1	9/2001	Nozaki
6,314,931 B1	11/2001	Yasuda et al.
6,530,443 B1	3/2003	Tsuruta et al.
D636,408 S	4/2011	Luxon et al.
D636,787 S	4/2011	Luxon et al.
D636,788 S	4/2011	Luxon et al.
D637,205 S	5/2011	Luxon et al.
D637,206 S	5/2011	Luxon et al.
D637,623 S	5/2011	Luxon et al.
D638,446 S	5/2011	Luxon et al.
D642,199 S	7/2011	Luxon et al.
D648,745 S	11/2011	Luxon et al.

**DESCRIPTION**

FIG. 1 is a perspective view of a high mount snorkel showing our new design and environment including the present design.  
FIG. 2 is a perspective view of the present design.  
FIG. 3 is a front elevational view of FIG. 1.  
FIG. 4 is a back elevational view of FIG. 1.  
FIG. 5 is a top elevational view of FIG. 1.  
FIG. 6 is a bottom elevational view of FIG. 1.  
FIG. 7 is a first side elevational view of FIG. 1; and, FIG. 8 is a second side elevational view of FIG. 1.  
The broken lines which define the bounds of the claimed design form no part thereof and are used to show environmental structure.

**1 Claim, 6 Drawing Sheets**



(56)

**References Cited**

U.S. PATENT DOCUMENTS

9,683,527 B2\* 6/2017 Tallman ..... F02M 35/10013  
 9,909,542 B2 3/2018 Rother  
 10,131,222 B1\* 11/2018 Tier ..... B60K 13/02  
 10,393,076 B1\* 8/2019 Freeman ..... B60K 13/02  
 10,428,773 B1\* 10/2019 Bennett ..... B60K 13/02  
 2002/0023792 A1 2/2002 Bouffard et al.  
 2005/0217625 A1 10/2005 Niaken et al.  
 2006/0065231 A1 3/2006 Nozaki et al.  
 2006/0185639 A1 8/2006 Rosenbaum  
 2006/0219209 A1 10/2006 Tsuruta et al.  
 2006/0230728 A1 10/2006 Tsuruta et al.  
 2007/0012274 A1 1/2007 Kawatani  
 2009/0260906 A1 10/2009 Hartland et al.  
 2010/0078239 A1 4/2010 Beloy  
 2010/0083928 A1 4/2010 Saito et al.  
 2014/0008136 A1\* 1/2014 Bennett ..... B60K 13/02  
 180/68.3  
 2015/0240760 A1\* 8/2015 Lewington ..... F02M 35/164  
 95/269

2017/0130681 A1\* 5/2017 Tallman ..... F02M 35/10013  
 2017/0130682 A1\* 5/2017 Tallman ..... F02M 35/10013  
 2017/0260939 A1 9/2017 Williams  
 2018/0319270 A1\* 11/2018 Tier ..... B60K 13/02

OTHER PUBLICATIONS

AEV Jeep Wrangler JK Snorkel Pre Filter, Sam's 4X4, sams4X4.com, last accessed Oct. 22, 2018.  
 Potentially Related U.S. Appl. No. 13/544,251, filed Jul. 9, 2012, granted as U.S. Pat. No. 8,960,347 on Feb. 24, 2015.  
 Potentially Related U.S. Appl. No. 29/434,144, filed Oct. 10, 2012, granted as U.S. Pat. No. D687,071 on Jul. 30, 2013.  
 Potentially Related U.S. Appl. No. 29/434,147, filed Oct. 10, 2012, granted as U.S. Pat. No. D687,072 on Jul. 30, 2013.  
 Potentially Related U.S. Appl. No. 29/667,519, filed Oct. 23, 2018.  
 Potentially Related U.S. Appl. No. 29/667,549, filed Oct. 23, 2018.  
 Potentially Related U.S. Appl. No. 16/171,428, filed Oct. 26, 2018.

\* cited by examiner

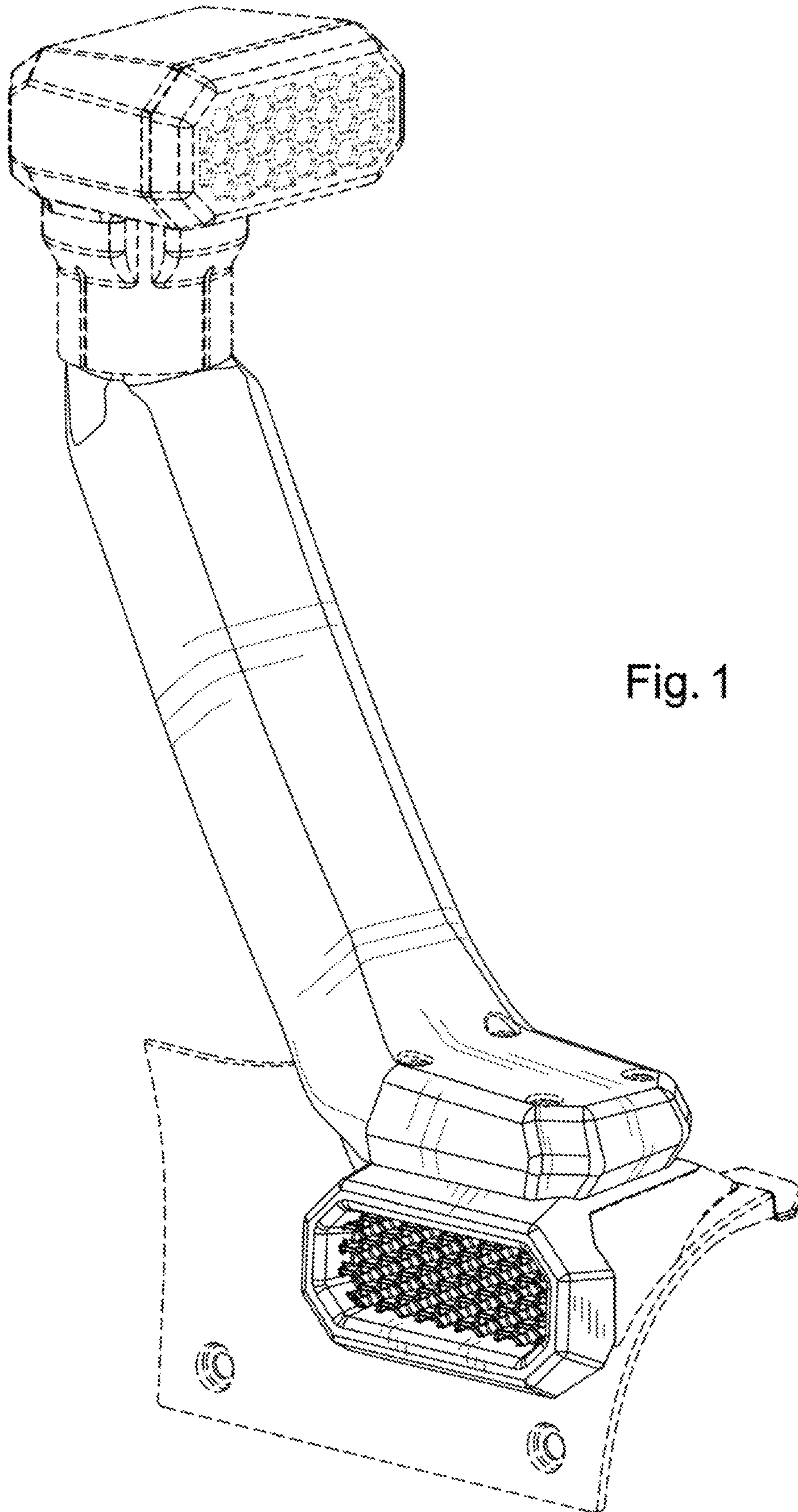


Fig. 1



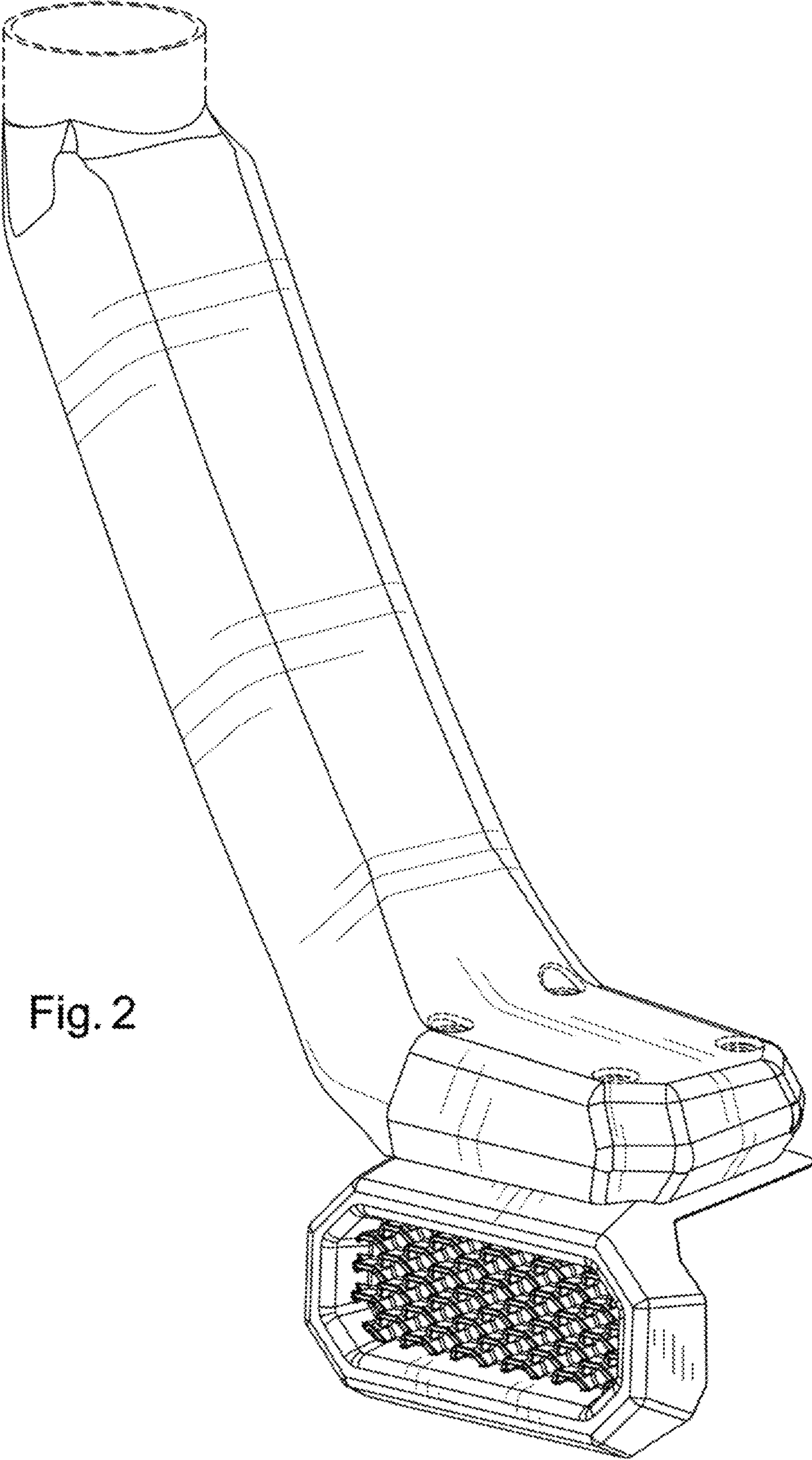


Fig. 2

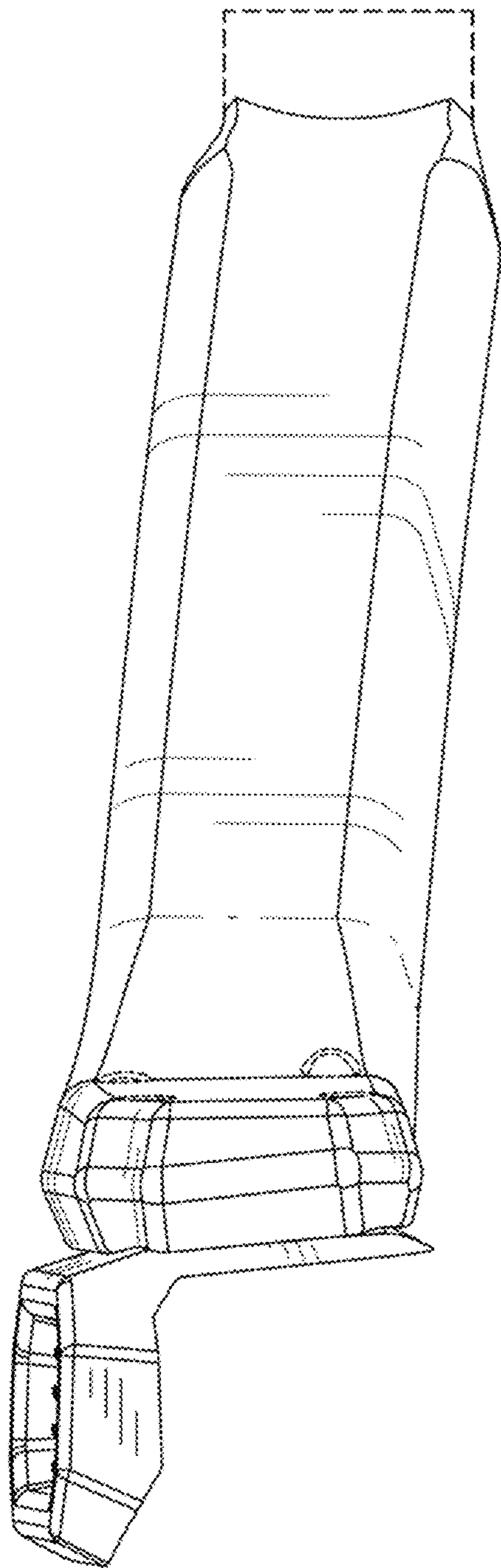


Fig. 3

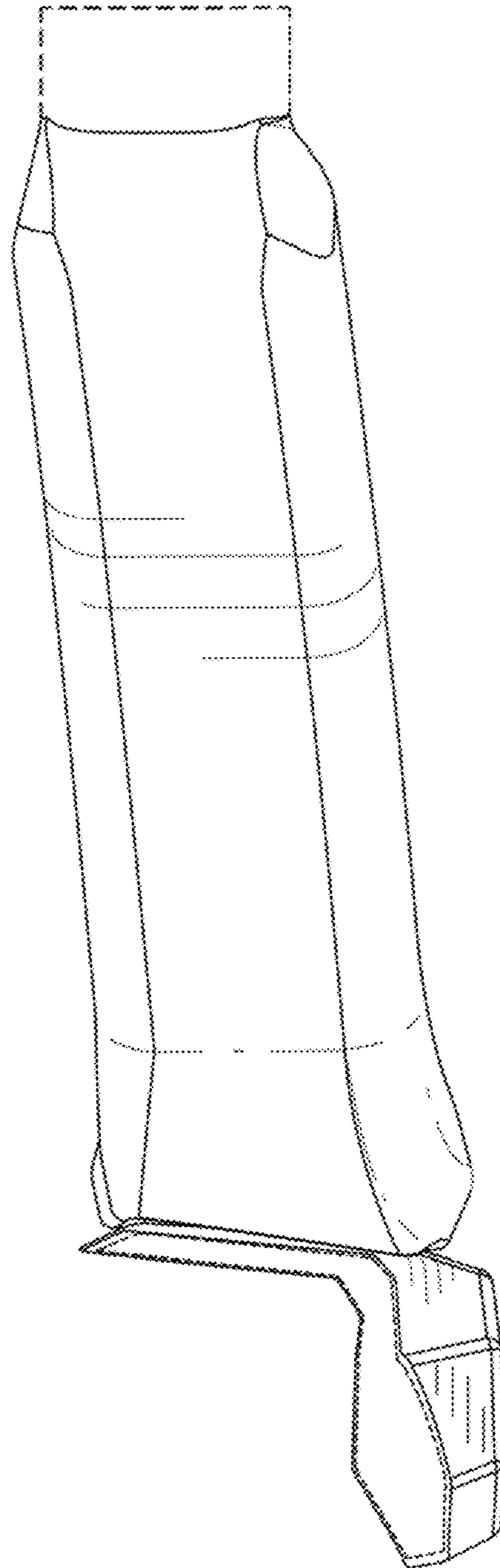


Fig. 4

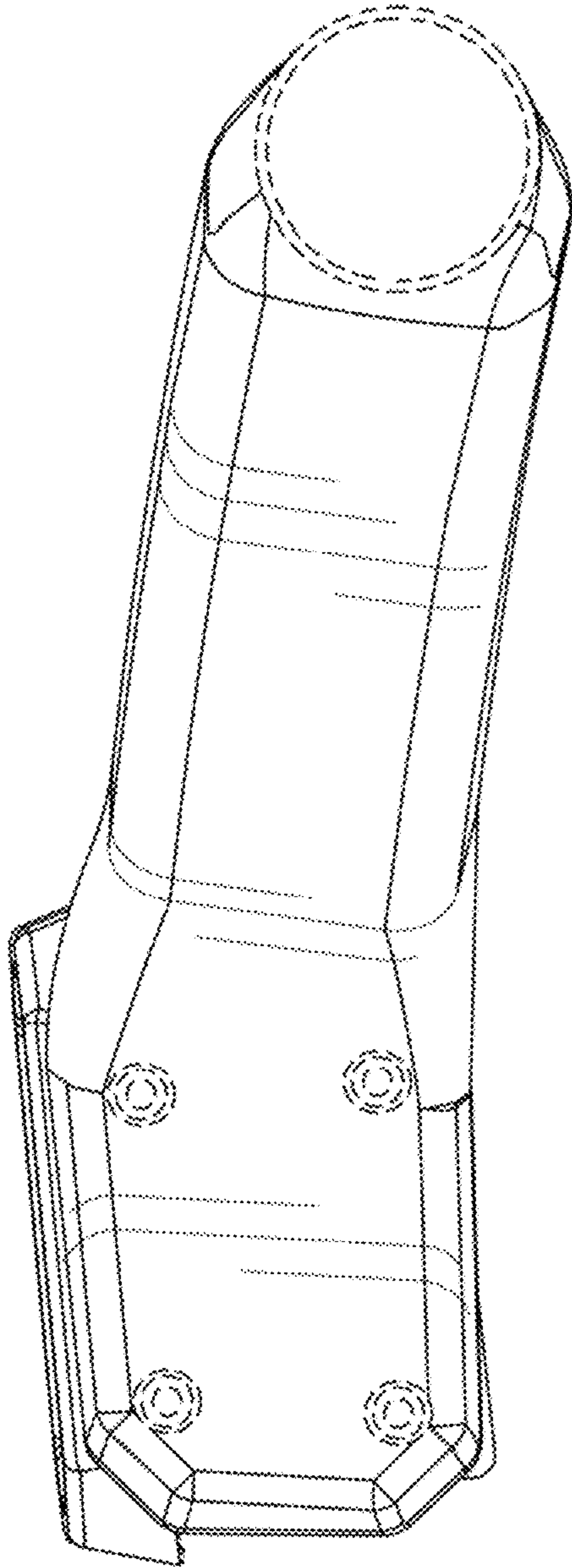


Fig. 5

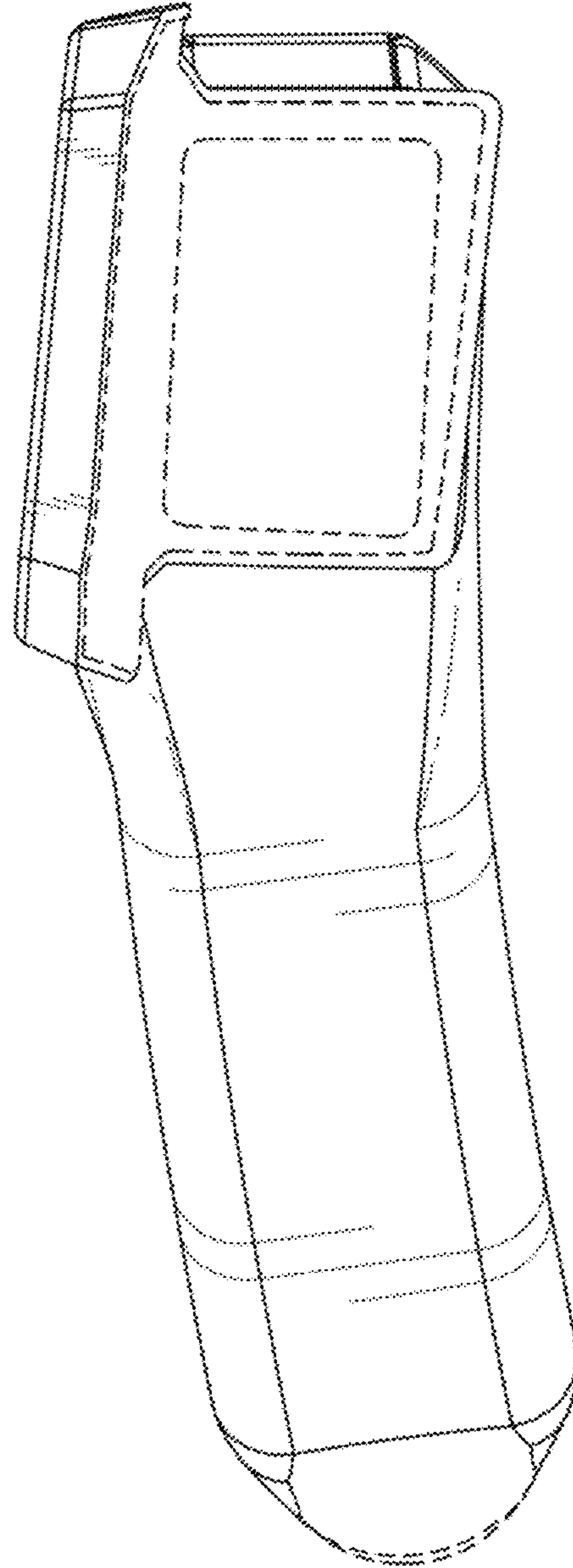


Fig. 6



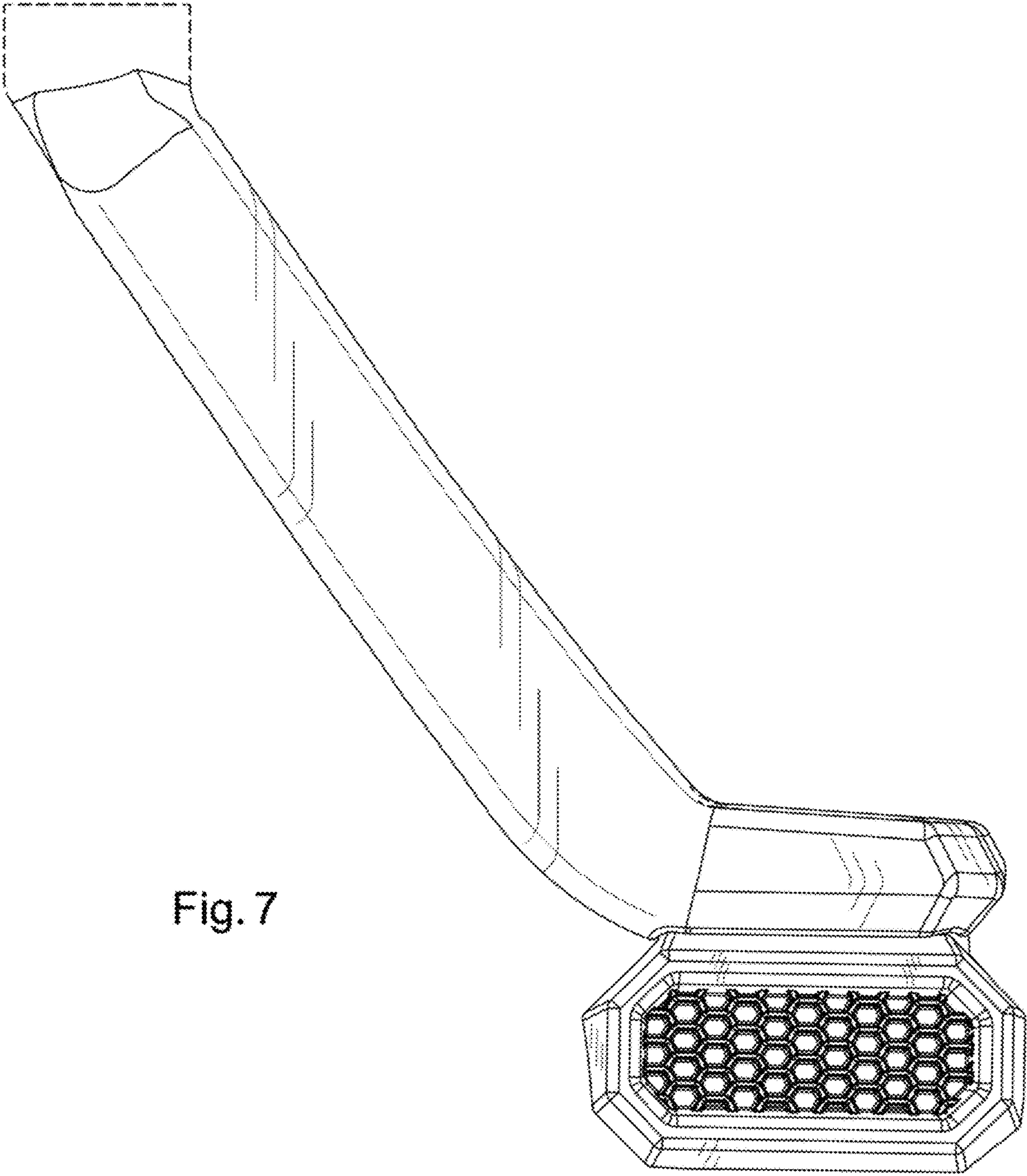


Fig. 7

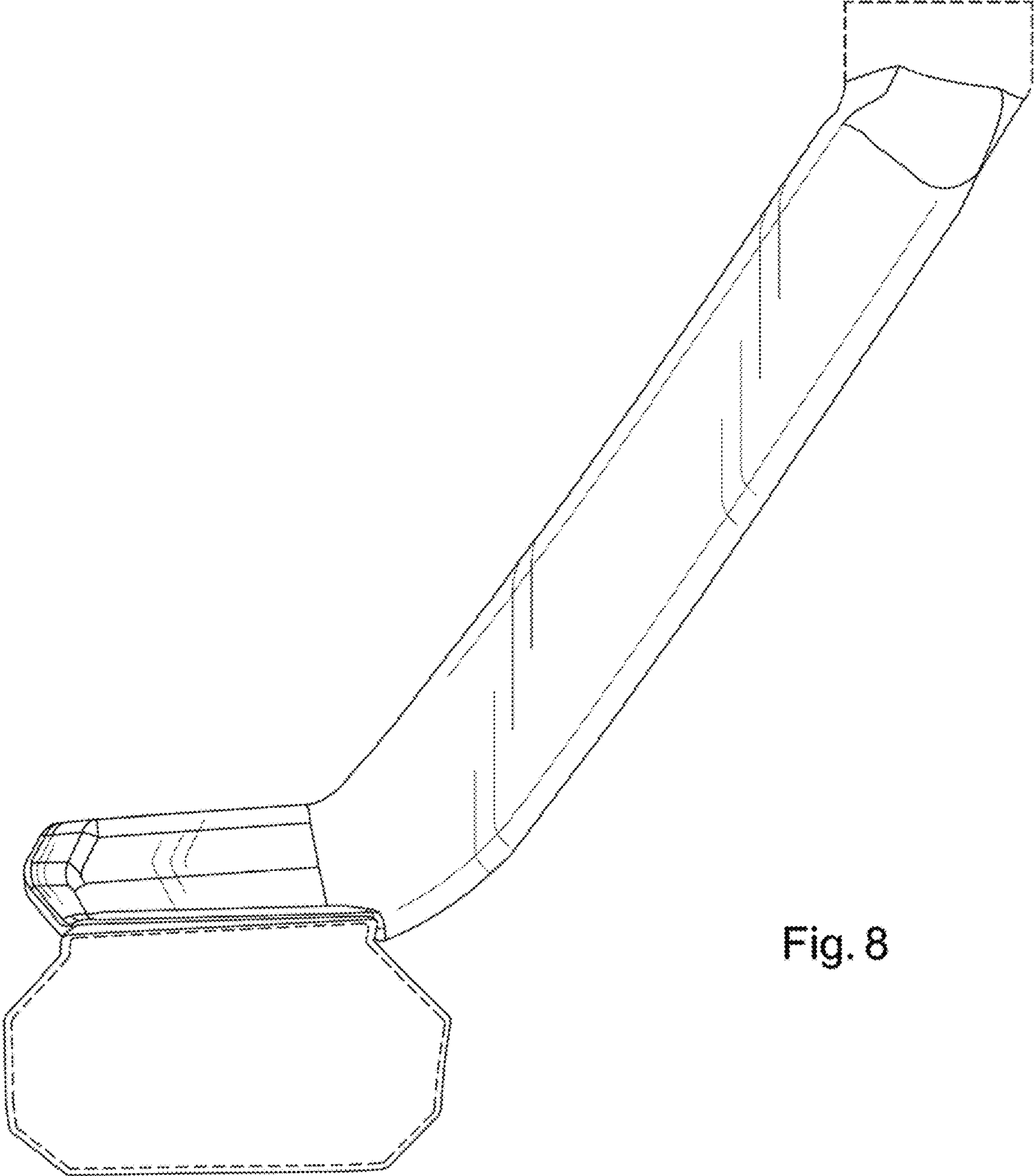


Fig. 8