



US00D896276S

(12) **United States Design Patent** (10) **Patent No.:** **US D896,276 S**  
**Vaidyanathan et al.** (45) **Date of Patent:** **\*\* Sep. 15, 2020**

(54) **PRESSURE REGULATOR AND PISTON**

(71) Applicant: **Transportation IP Holdings, LLC,**  
Norwalk, CT (US)

(72) Inventors: **Krishnamurthy Vaidyanathan,**  
Bangalore (IN); **Bharath Chandrashekar,** Bangalore (IN);  
**Ramprasad Shetti,** Bangalore (IN);  
**Radhish Balan Sulochana,** Bangalore (IN);  
**Mahantesh Hosur,** Bangalore (IN)

(73) Assignee: **Transportation IP Holdings, LLC,**  
Norwalk, CT (US)

(\*\*) Term: **15 Years**

(21) Appl. No.: **29/653,090**

(22) Filed: **Jun. 12, 2018**

(51) **LOC (12) Cl.** ..... **15-01**

(52) **U.S. Cl.**  
USPC ..... **D15/5**

(58) **Field of Classification Search**  
USPC ..... D15/5-9; D23/234-237, 244-249  
CPC ..... F25B 41/062; F25B 2600/2513; F25B  
2341/065  
See application file for complete search history.

(56) **References Cited**

**U.S. PATENT DOCUMENTS**

D282,562 S \* 2/1986 Looney ..... D23/235  
D533,623 S \* 12/2006 Carrothers ..... D23/209

D597,630 S \* 8/2009 Easton ..... D23/233  
D745,114 S \* 12/2015 Alexander ..... D23/235  
D849,195 S \* 5/2019 Matsushita ..... D23/233  
D853,535 S \* 7/2019 Norton ..... D23/266  
2008/0166248 A1\* 7/2008 Bensley ..... F04B 9/02  
417/415  
2015/0293539 A1\* 10/2015 Greenwood ..... G05D 16/0608  
137/505.25  
2019/0128409 A1\* 5/2019 Mason ..... F16H 61/0251  
2019/0163210 A1\* 5/2019 Duffin ..... G05D 16/0663

\* cited by examiner

*Primary Examiner* — Ania Aman

(74) *Attorney, Agent, or Firm* — McCoy Russell LLP

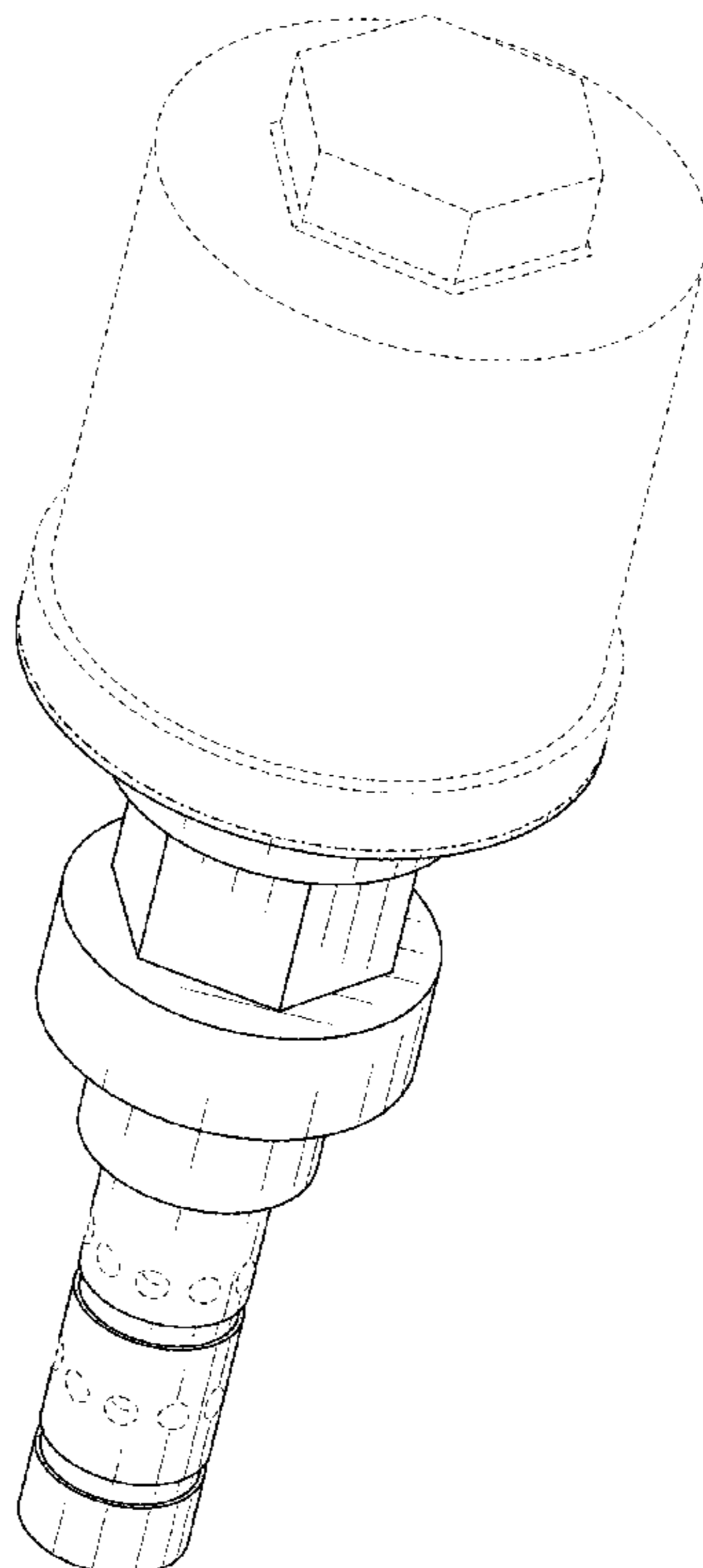
(57) **CLAIM**

The ornamental design for a pressure regulator and piston, as shown and described.

**DESCRIPTION**

FIG. 1 is a top perspective view of a pressure regulator and piston according to the invention;  
FIG. 2 is a front view thereof;  
FIG. 3 is a rear view thereof;  
FIG. 4 is a side view thereof;  
FIG. 5 is a side view thereof;  
FIG. 6 is a top view thereof;  
FIG. 7. is a bottom view thereof; and,  
FIG. 8 is a bottom perspective view thereof.  
In the drawings, the dash/dot/dot/dash broken lines depict claim boundaries and form no part of the claim; the evenly spaced broken lines illustrate portions of the article that form no part of the claimed design.

**1 Claim, 5 Drawing Sheets**



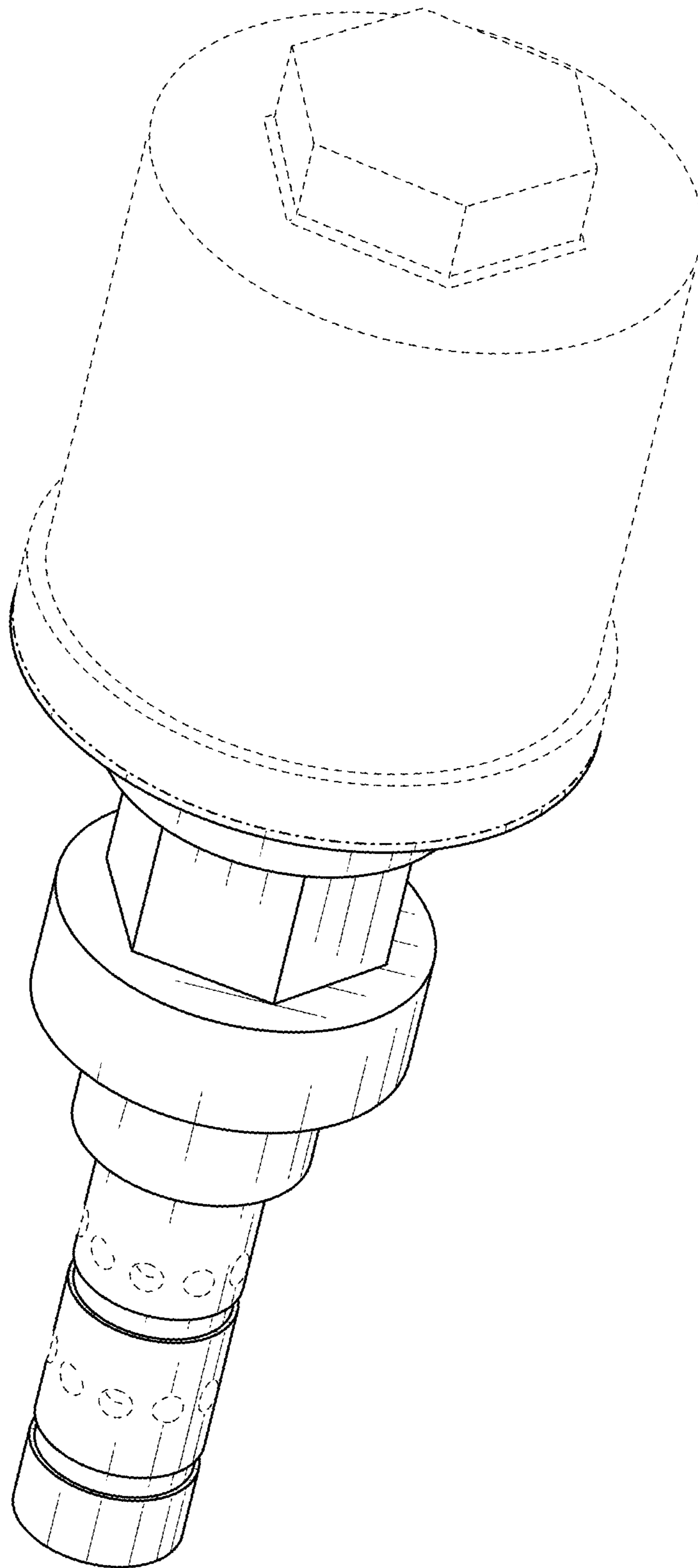


FIG. 1

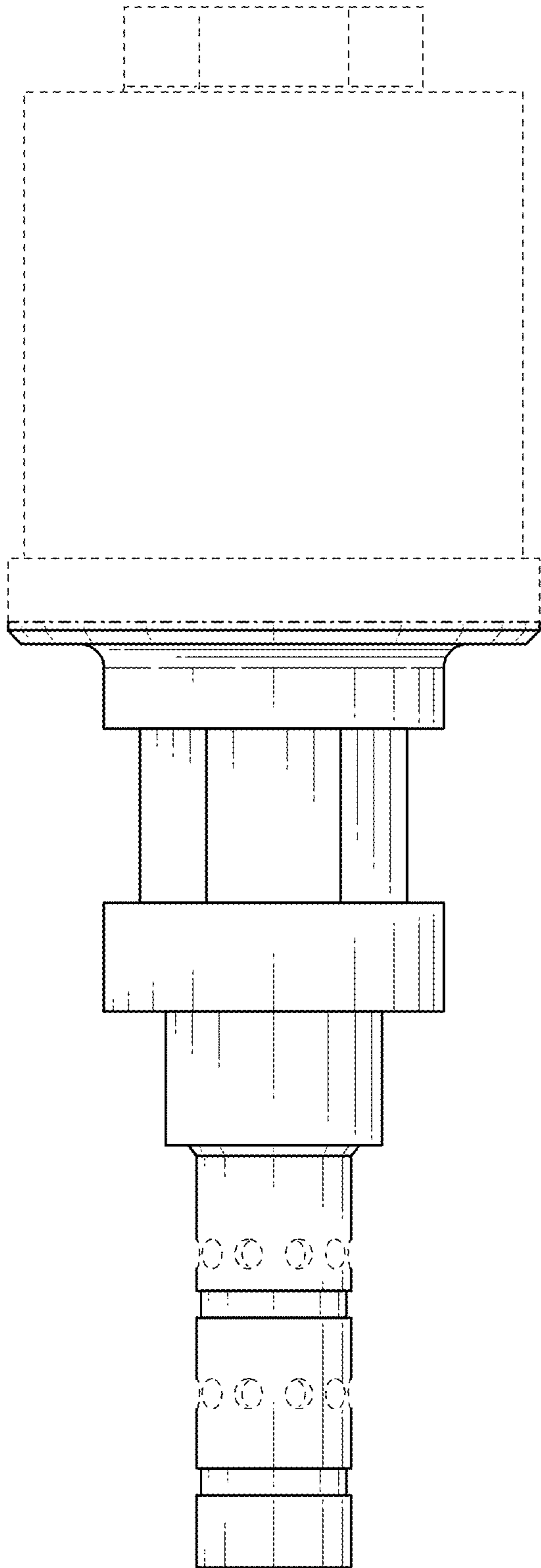


FIG. 2

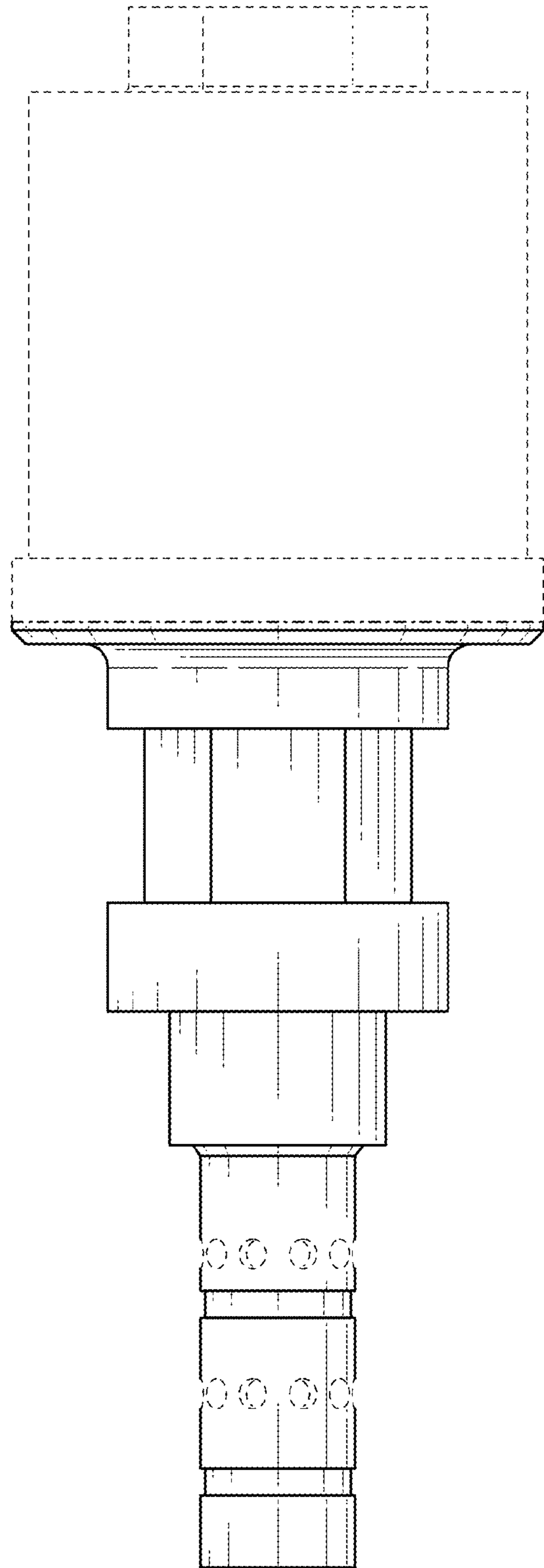


FIG. 3

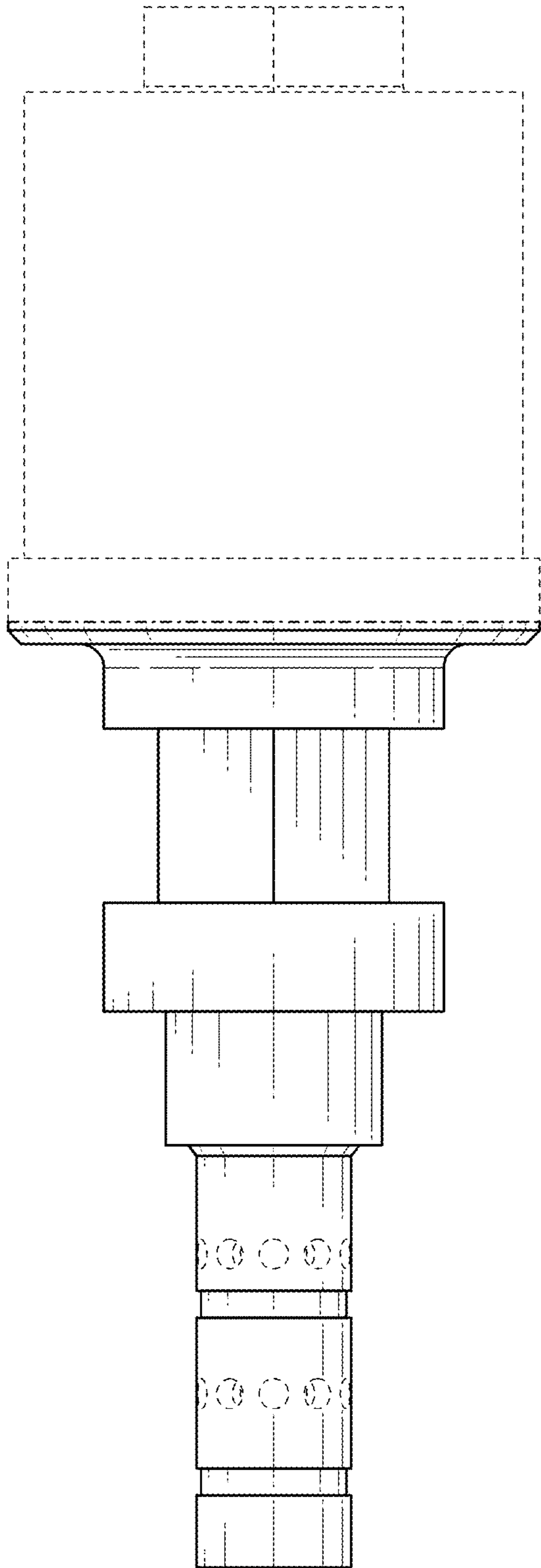


FIG. 4

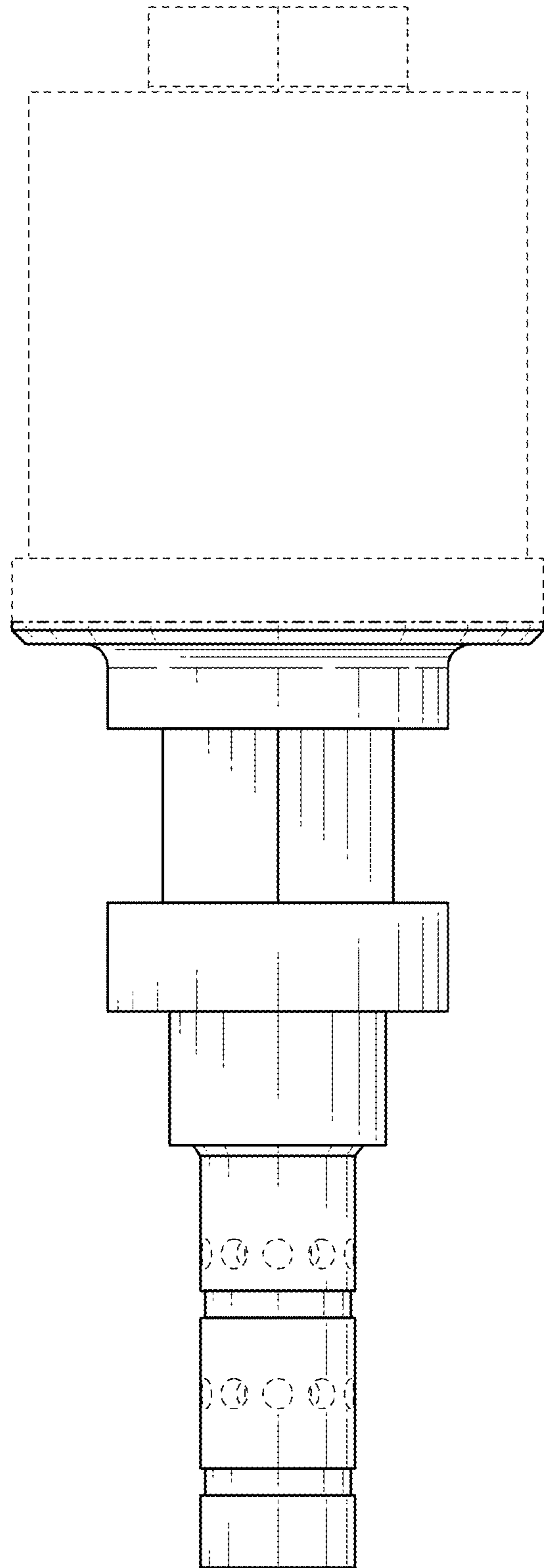


FIG. 5

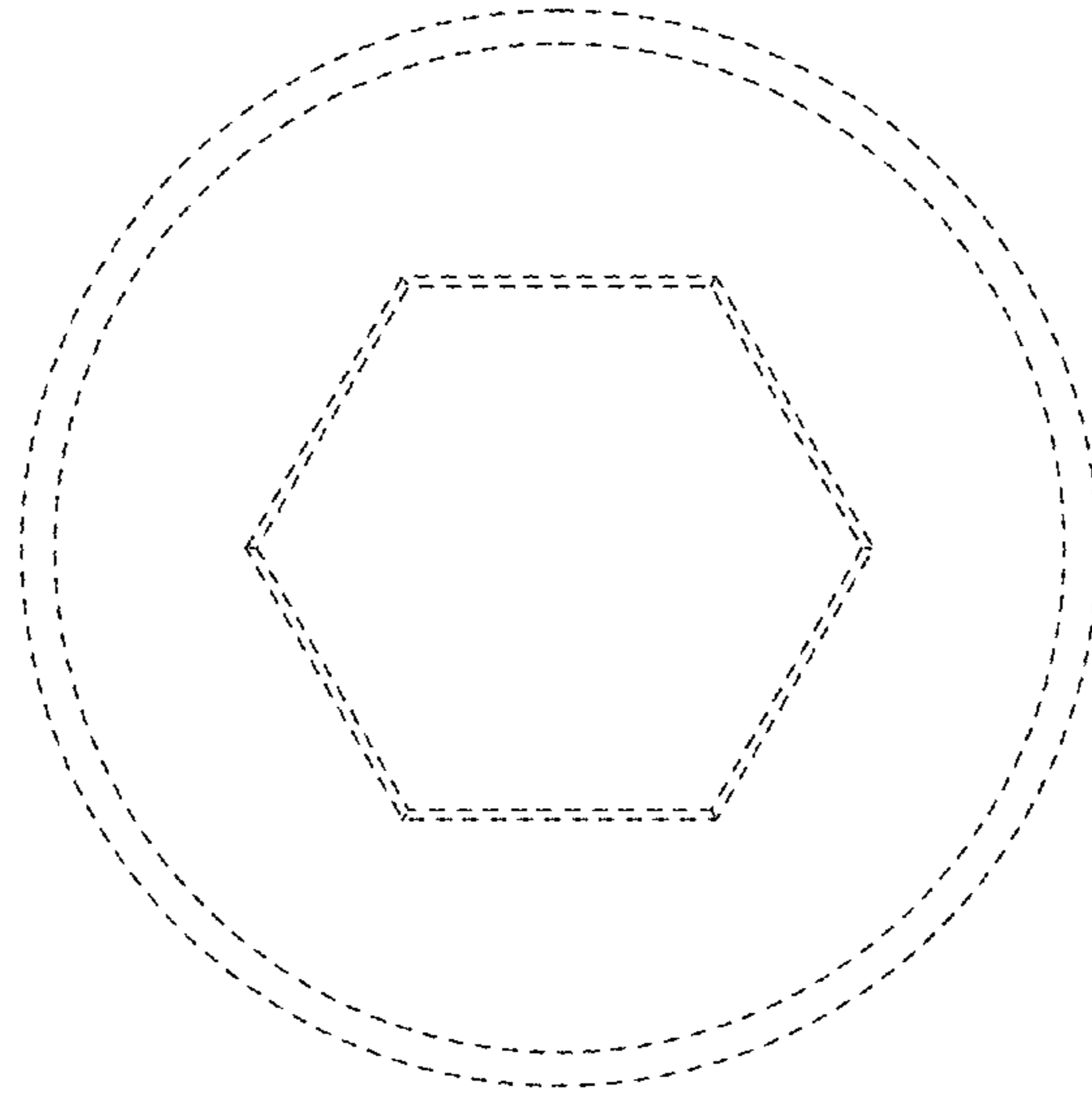


FIG. 6

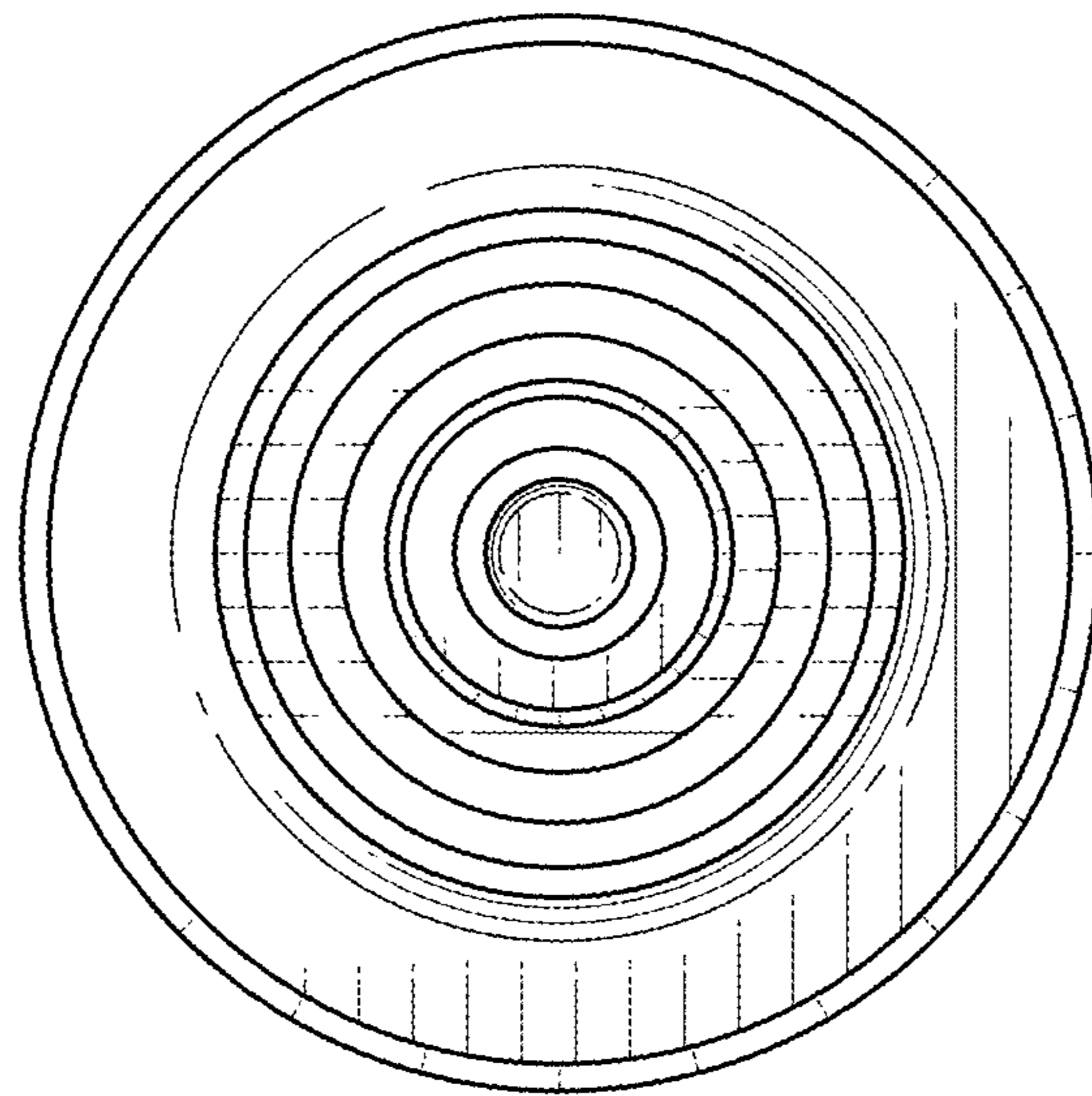


FIG. 7

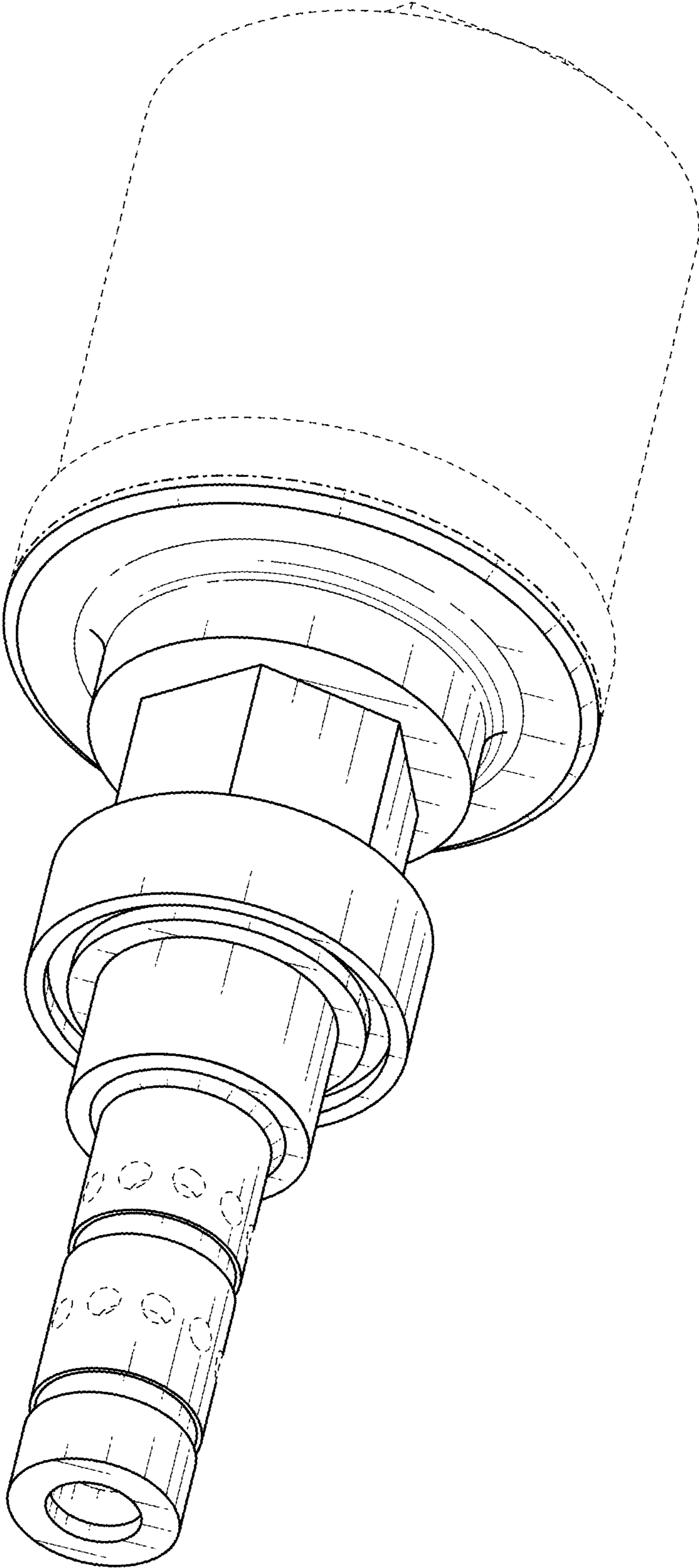


FIG. 8