



US00D896275S

(12) **United States Design Patent**  
**VerSchave**

(10) **Patent No.:** **US D896,275 S**

(45) **Date of Patent:** **\*\* \*Sep. 15, 2020**

- (54) **ENGINE SIDE COVER LEFT**
- (71) Applicant: **AVS Fabrication, Inc.**, Oceanside, CA (US)
- (72) Inventor: **Allen VerSchave**, Oceanside, CA (US)
- (73) Assignee: **AVS Fabrication, Inc.**, Oceanside, CA (US)

D657,798 S \* 4/2012 Platt ..... D15/5  
 8,424,503 B1 \* 4/2013 Harbert ..... F02F 7/006  
 123/195 C  
 D727,362 S \* 4/2015 Platt ..... D15/5  
 D735,759 S \* 8/2015 Chan ..... D15/5  
 D826,279 S \* 8/2018 Vaninetti ..... D15/5  
 D837,263 S \* 1/2019 VerSchave ..... D15/5

- (\*) Notice: This patent is subject to a terminal disclaimer.
- (\*\*) Term: **15 Years**

\* cited by examiner

*Primary Examiner* — Ania Aman

(74) *Attorney, Agent, or Firm* — Trevor Coddington; Insigne LLP

(21) Appl. No.: **29/622,506**

(57) **CLAIM**

I claim the ornamental design for an engine side cover left, as shown and described.

(22) Filed: **Oct. 17, 2017**

**DESCRIPTION**

- (51) **LOC (12) Cl.** ..... **15-01**
- (52) **U.S. Cl.**  
USPC ..... **D15/5**
- (58) **Field of Classification Search**  
USPC ..... D15/1-6  
CPC ... F01M 5/00; F16M 1/026; F02P 3/02; F02B 37/013; F02F 2007/0075  
See application file for complete search history.

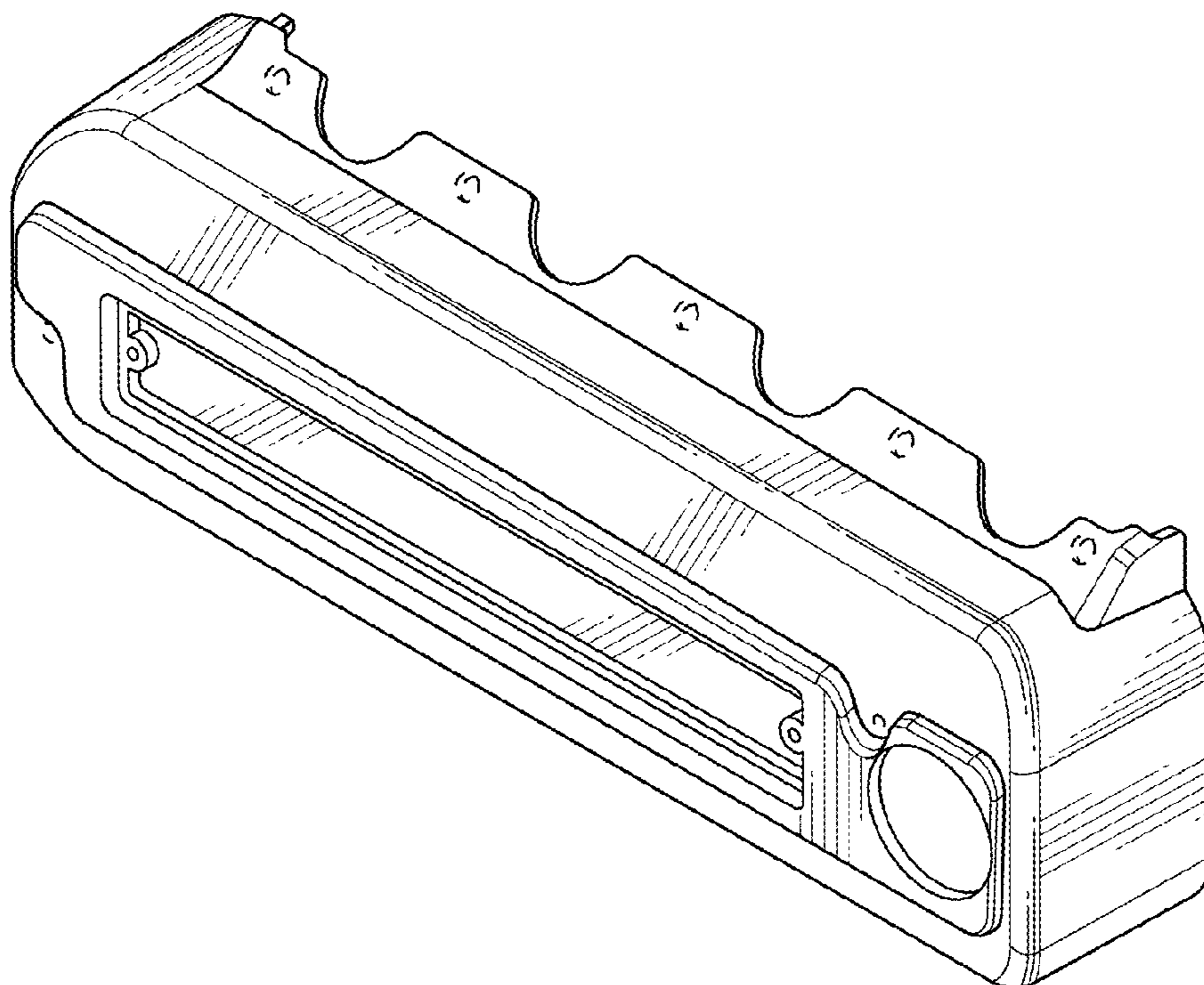
FIG. 1 is a perspective view of the engine side cover left according to an embodiment of the invention.  
 FIG. 2 is a top view of the engine side cover left as shown in FIG. 1;  
 FIG. 3 is a bottom view of the engine side cover left as shown in FIG. 1;  
 FIG. 4 is a head view of the engine side cover left side as shown in FIG. 1;  
 FIG. 5 is a rear view of the engine side cover left as shown in FIG. 1;  
 FIG. 6 is a right side view of the engine side cover left as shown in FIG. 1; and,  
 FIG. 7 is a left side view of the engine side cover left side as shown in FIG. 1.  
 The dashed lines in the figures depict openings in the engine side cover left which form no part of the inventive design.

(56) **References Cited**

**U.S. PATENT DOCUMENTS**

- D305,767 S \* 1/1990 Tauschke ..... D15/5
- 7,316,215 B1 \* 1/2008 Nino ..... F02F 7/006  
123/195 C
- 7,765,971 B1 \* 8/2010 Overacker ..... F01M 9/10  
123/193.5
- D653,676 S \* 2/2012 Tomlinson ..... D15/5

**1 Claim, 3 Drawing Sheets**



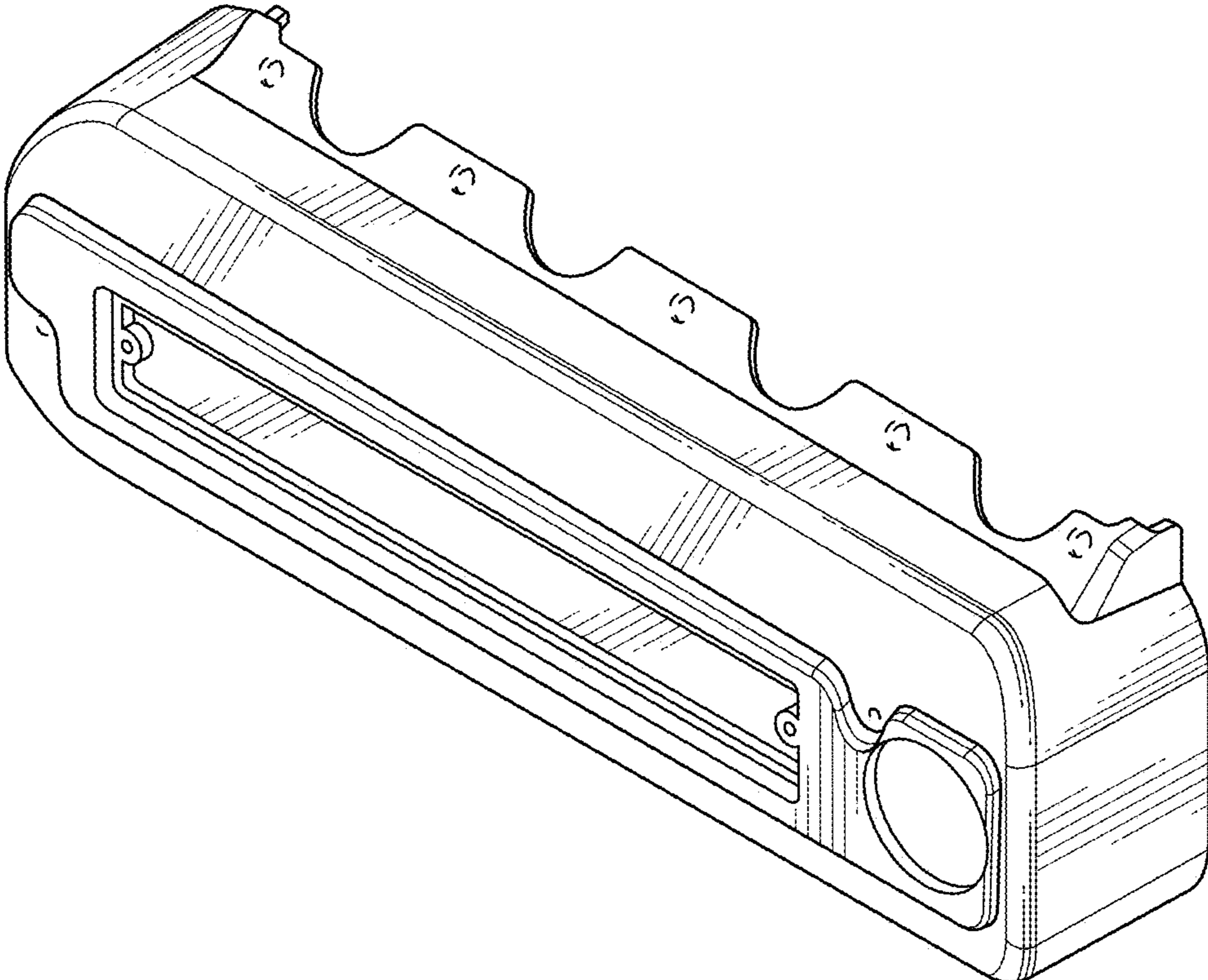


FIG. 1

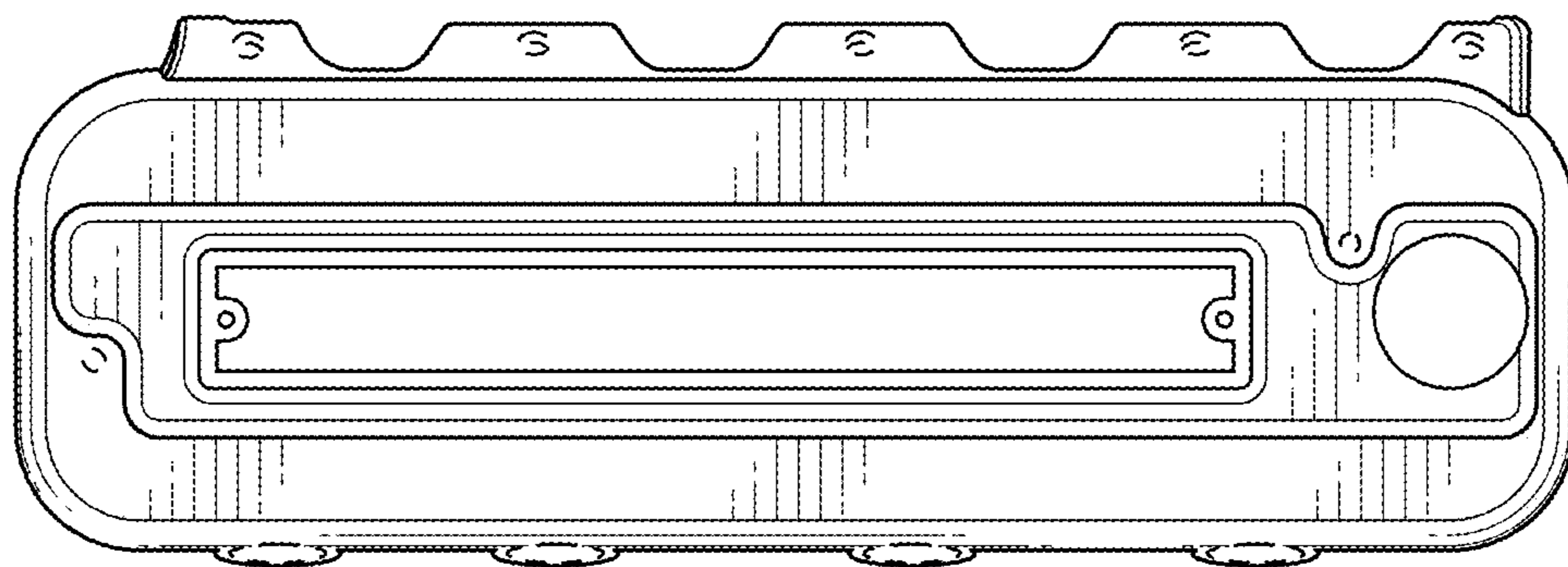


FIG. 2

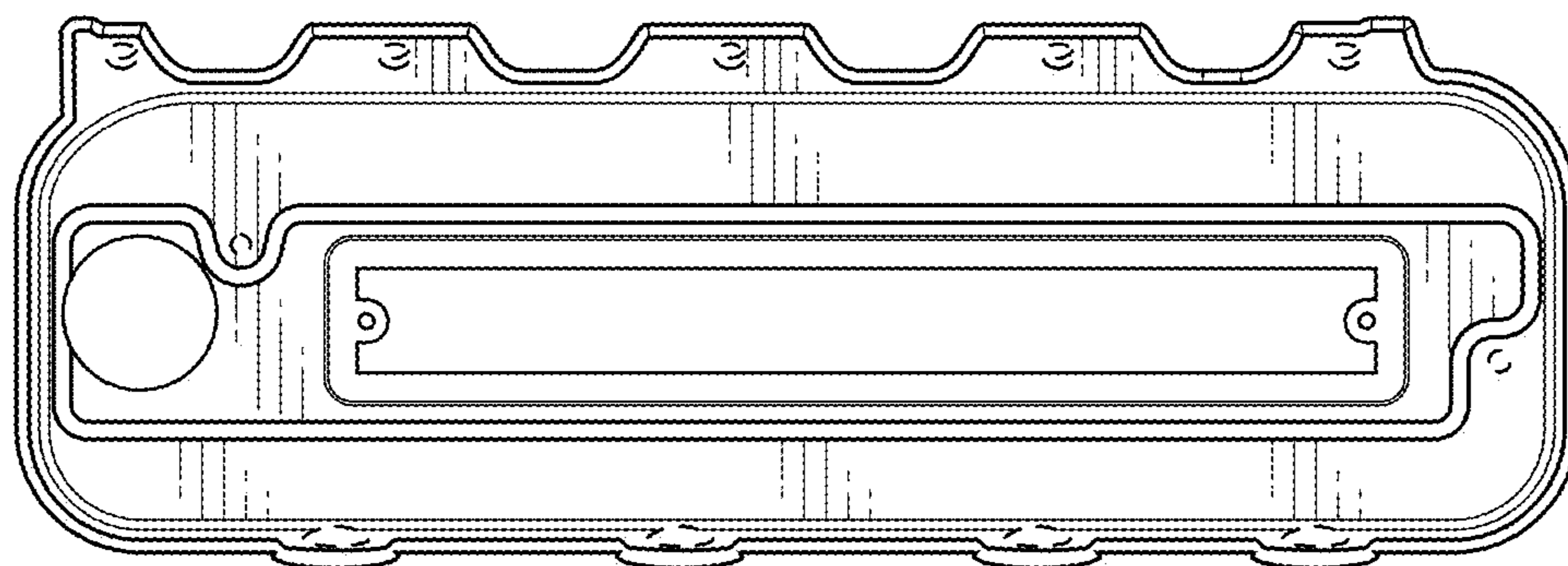


FIG. 3

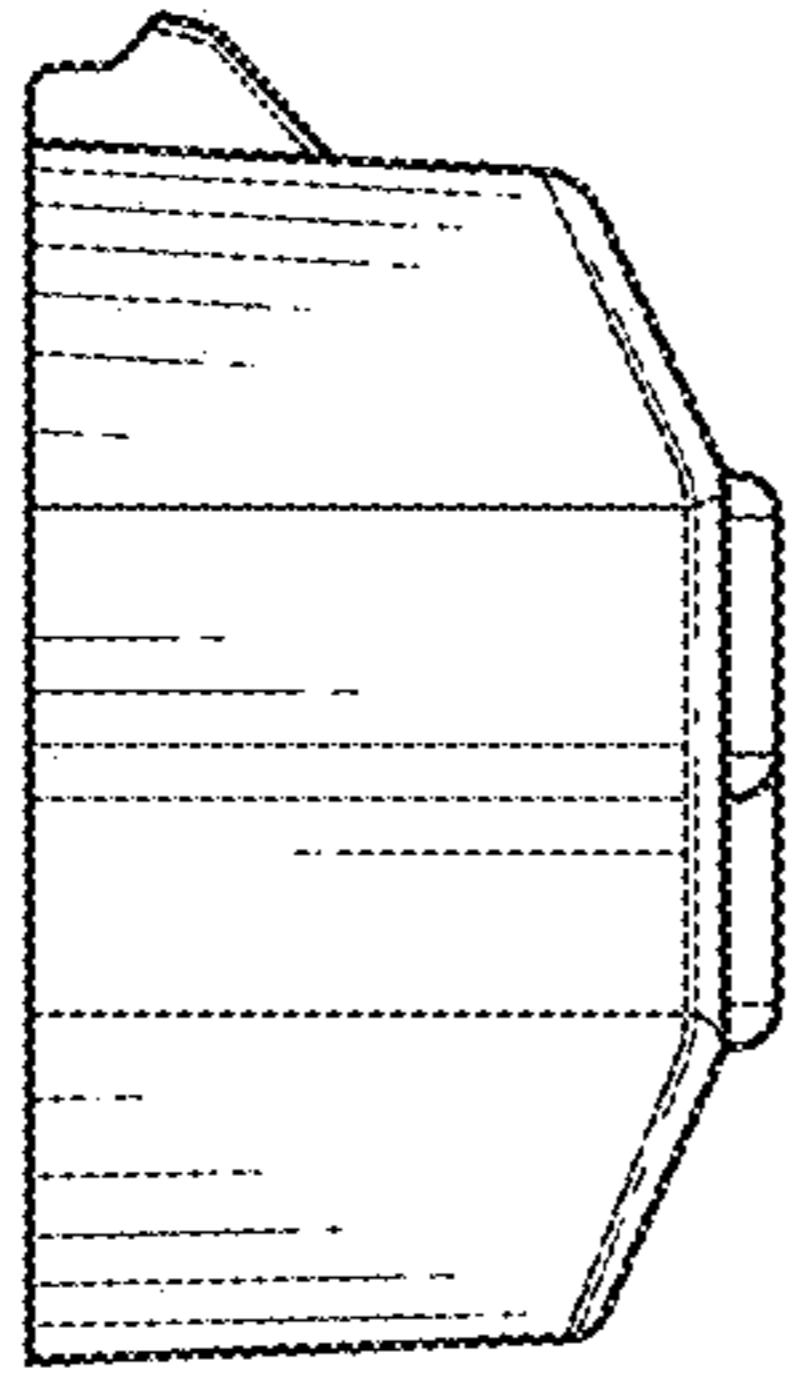


FIG. 4

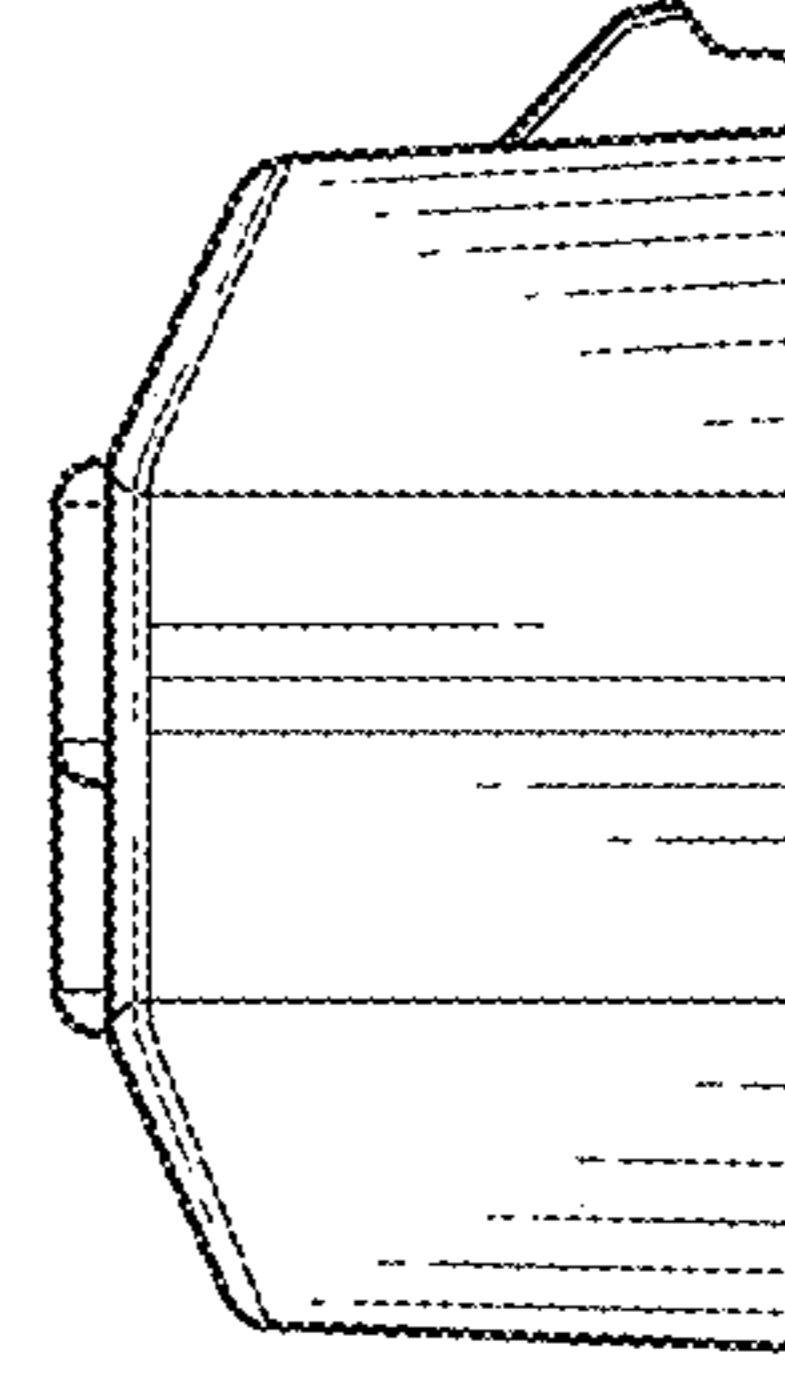


FIG. 5

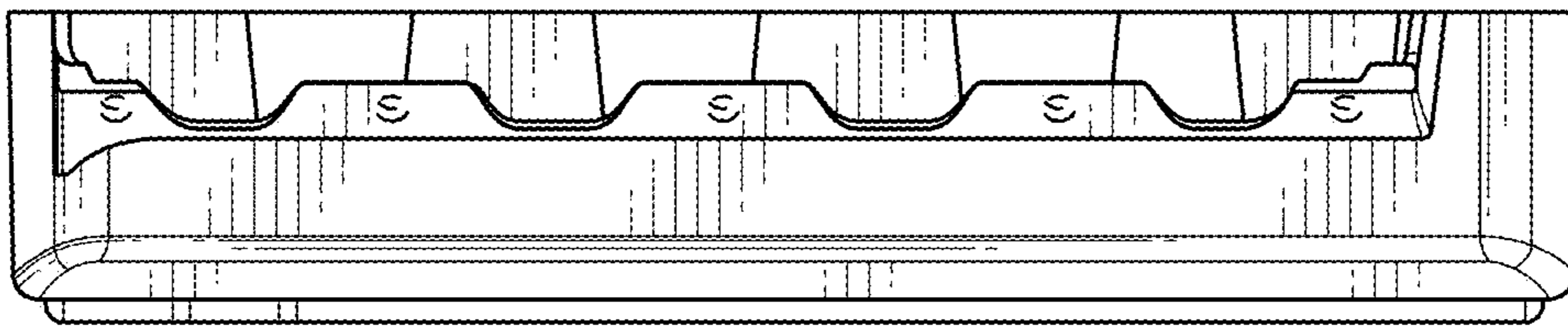


FIG. 6

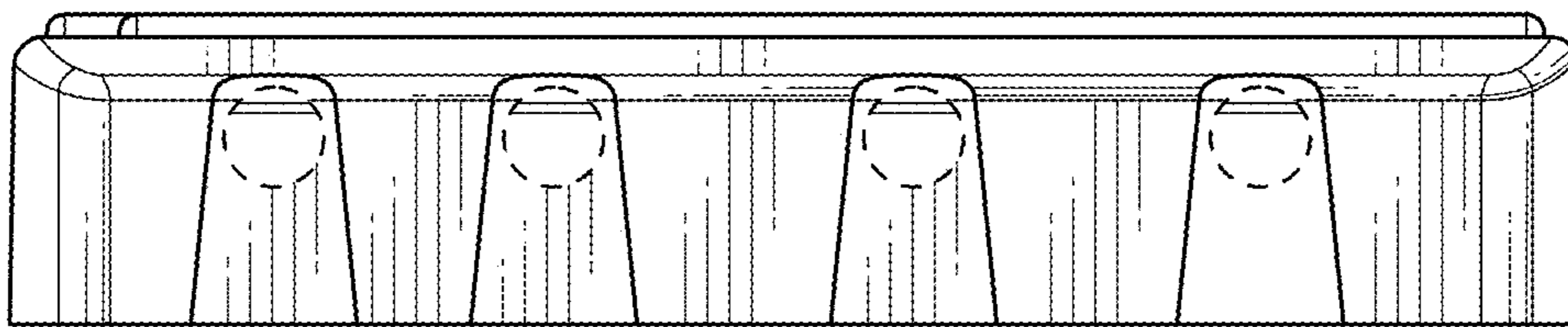


FIG. 7