



US00D896272S

(12) **United States Design Patent**  
**Griffin et al.**

(10) **Patent No.:** **US D896,272 S**

(45) **Date of Patent:** **\*\* Sep. 15, 2020**

(54) **DISPLAY SCREEN OR PORTION THEREOF WITH ANIMATED ICON**

(71) Applicant: **Apple Inc.**, Cupertino, CA (US)

(72) Inventors: **Bradley William Griffin**, Redwood City, CA (US); **Aurelio Guzmán**, San Jose, CA (US); **Christopher Wilson**, San Francisco, CA (US); **Giancarlo Yerkes**, Menlo Park, CA (US)

(73) Assignee: **Apple Inc.**, Cupertino, CA (US)

(\*\*) Term: **15 Years**

(21) Appl. No.: **29/733,889**

(22) Filed: **May 7, 2020**

**Related U.S. Application Data**

(63) Continuation of application No. 29/672,113, filed on Dec. 3, 2018, now Pat. No. Des. 885,431, which is a continuation of application No. 29/611,672, filed on Jul. 24, 2017, now Pat. No. Des. 835,156.

(51) **LOC (12) Cl.** ..... **14-04**

(52) **U.S. Cl.**  
USPC ..... **D14/492**; D14/489; D14/491

(58) **Field of Classification Search**  
USPC ..... D14/485-495; D18/27, 33; D20/26, 34; D21/351  
CPC ... B60K 37/00; G06F 3/0481; G06F 3/04845; G06F 3/04817; G06F 17/212; G06F 19/3406; G06T 13/80; G06T 15/02  
See application file for complete search history.

(56) **References Cited**

**U.S. PATENT DOCUMENTS**

5,140,678 A 8/1992 Torres  
D341,848 S 11/1993 Bigelow et al.  
D382,866 S 8/1997 Boots

D386,477 S 11/1997 Thomas  
D391,249 S 2/1998 Yamamoto et al.  
D393,639 S 4/1998 Wanishi et al.  
D393,839 S 4/1998 Morioka et al.  
D432,100 S 10/2000 Zink et al.  
6,240,421 B1 5/2001 Stolarz  
6,262,734 B1 7/2001 Ishikawa  
D471,225 S \* 3/2003 Gray ..... D14/488  
D494,983 S 8/2004 Peter et al.  
D494,984 S 8/2004 Peter et al.

(Continued)

**OTHER PUBLICATIONS**

Trademark Serial No. 74433030, Apple Inc., filed Sep. 3, 1993.

(Continued)

*Primary Examiner* — Philip S Hyder

*Assistant Examiner* — Cary M Robinson

(74) *Attorney, Agent, or Firm* — Sterne, Kessler, Goldstein & Fox P.L.L.C.

(57) **CLAIM**

The ornamental design for a display screen or portion thereof with animated icon, as shown and described.

**DESCRIPTION**

FIG. 1 is a front view of a display screen or portion thereof with animated icon showing a first image of the claimed design;

FIG. 2 is a second image thereof;

FIG. 3 is a third image thereof;

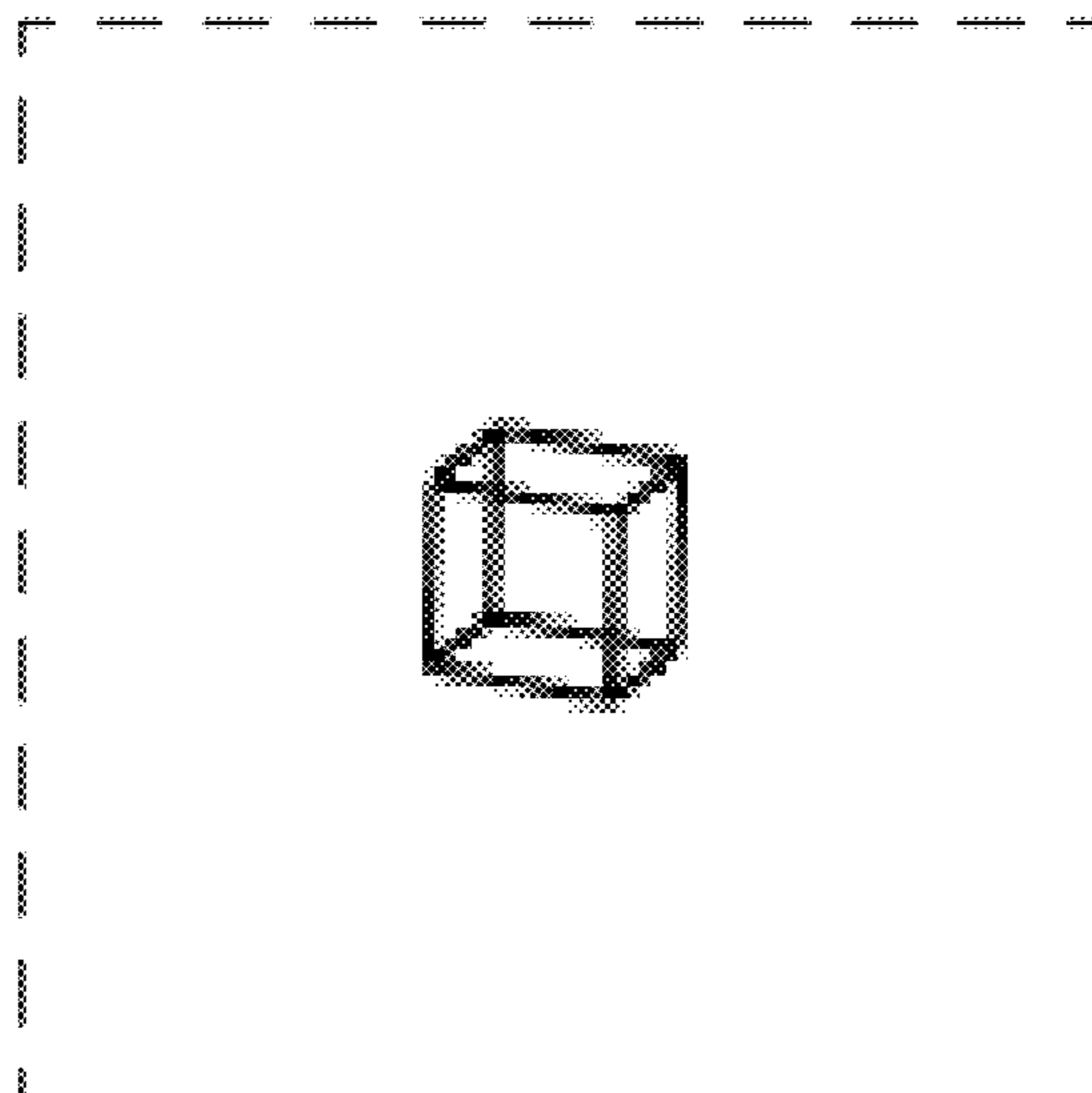
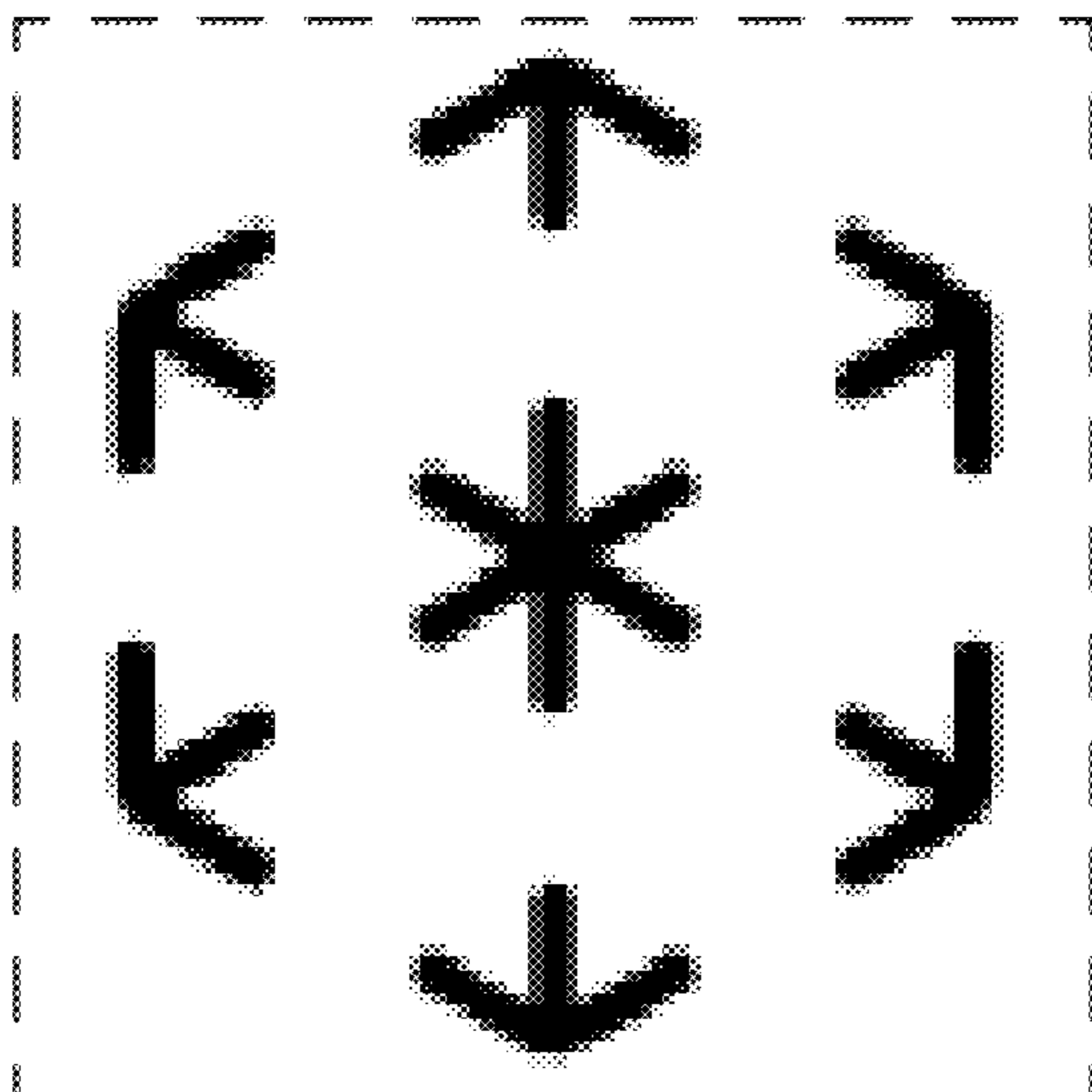
FIG. 4 is a fourth image thereof; and,

FIG. 5 is a fifth image thereof.

The broken lines in the figures show a display screen or portion thereof, and form no part of the claimed design.

The appearance of the animated image sequentially transitions between the images shown in FIGS. 1-5. The process or period in which one image transitions to another forms no part of the claimed design.

**1 Claim, 1 Drawing Sheet**



(56)

References Cited

U.S. PATENT DOCUMENTS

D495,338 S 8/2004 Peter et al.  
 6,809,724 B1 10/2004 Shiraishi et al.  
 D547,365 S 7/2007 Reyes et al.  
 D549,726 S 8/2007 Van dongen et al.  
 D560,680 S 1/2008 Armendariz  
 D563,990 S 3/2008 Okuyama  
 D574,847 S 8/2008 O'Donnell et al.  
 D576,635 S 9/2008 Nathan et al.  
 D579,948 S 11/2008 Marmier  
 D582,427 S 12/2008 Neuhaus  
 D582,939 S 12/2008 Neuhaus  
 D601,164 S 9/2009 Pell et al.  
 D602,027 S 10/2009 Queric  
 D602,028 S 10/2009 Queric  
 D602,030 S 10/2009 Vu et al.  
 D602,034 S 10/2009 Vu et al.  
 D606,090 S 12/2009 Danton et al.  
 D606,551 S 12/2009 Willis  
 D607,001 S 12/2009 Ording  
 D608,792 S 1/2010 Canu-Chiesa  
 D612,398 S 3/2010 Lemay  
 7,761,813 B2 7/2010 Kim et al.  
 D623,194 S 9/2010 Cook et al.  
 D623,657 S 9/2010 Fitzmaurice et al.  
 D627,789 S 11/2010 Jewitt et al.  
 D628,586 S 12/2010 Umezawa et al.  
 D638,028 S 5/2011 Cook et al.  
 D643,044 S 8/2011 Ording  
 D648,735 S 11/2011 Arnold et al.  
 D649,557 S 11/2011 Duchene  
 D656,515 S 3/2012 Bechtold et al.  
 D657,796 S 4/2012 Anzures  
 D659,706 S 5/2012 David et al.  
 8,289,316 B1 10/2012 Reisman et al.  
 8,327,272 B2 12/2012 Anzures et al.  
 D677,326 S 3/2013 Gleasman et al.  
 D678,323 S 3/2013 Yoshida et al.  
 D680,126 S 4/2013 Seo  
 D680,550 S 4/2013 Seo  
 D695,775 S 12/2013 Brinda et al.  
 D697,524 S 1/2014 Ording  
 D697,939 S 1/2014 Lee et al.  
 D699,751 S 2/2014 Pearson et al.  
 D700,209 S 2/2014 Tanghe et al.  
 D706,276 S 6/2014 Takano  
 D706,821 S 6/2014 Park  
 D707,713 S 6/2014 D'amore et al.  
 D708,638 S 7/2014 Manzari et al.  
 D710,882 S 8/2014 Francisco et al.  
 D712,910 S 9/2014 Liao et al.  
 D714,810 S 10/2014 Lee et al.  
 D717,839 S 11/2014 Sin et al.  
 D726,160 S 4/2015 Chang  
 D732,072 S 6/2015 Ying  
 D735,236 S 7/2015 Keavney et al.  
 D740,316 S 10/2015 Kim  
 D741,370 S 10/2015 Torres et al.  
 D743,439 S 11/2015 Torres et al.  
 D745,556 S 12/2015 Jeon et al.  
 D745,886 S 12/2015 Seo et al.  
 D747,344 S 1/2016 Balles et al.  
 D751,603 S 3/2016 Park et al.  
 D752,067 S 3/2016 Moon et al.  
 D752,608 S 3/2016 Oh et al.  
 D754,150 S 4/2016 Oh et al.  
 D757,095 S 5/2016 Butcher et al.  
 D757,737 S 5/2016 Chaudhri et al.  
 D757,791 S 5/2016 Van os  
 D757,812 S 5/2016 Woo et al.  
 D761,302 S 7/2016 Rodriguez  
 D761,802 S 7/2016 Moon et al.  
 D761,843 S 7/2016 Kim  
 D762,725 S 8/2016 Chaudhri et al.  
 D766,975 S 9/2016 Lim et al.  
 D770,477 S 11/2016 Evans et al.

D770,500 S 11/2016 Rodriguez  
 D771,700 S 11/2016 Toyoda  
 D772,936 S 11/2016 Ryono  
 D772,940 S 11/2016 Marianek et al.  
 D777,185 S 1/2017 Kwak et al.  
 D777,203 S 1/2017 Schreyer  
 D781,873 S 3/2017 Wu et al.  
 D784,368 S 4/2017 Mitti  
 D794,672 S 8/2017 Hirai  
 D795,887 S 8/2017 Bates  
 D806,746 S 1/2018 Kalanick et al.  
 D807,396 S 1/2018 Gardner et al.  
 D812,095 S 3/2018 Kalanick et al.  
 D814,506 S 4/2018 Porter  
 D819,052 S 5/2018 Norris et al.  
 D819,077 S 5/2018 Guzman et al.  
 D819,691 S 6/2018 Evans et al.  
 D835,156 S 12/2018 Griffin et al.  
 D836,671 S 12/2018 Guzmán et al.  
 D838,726 S 1/2019 Griswold  
 D845,320 S 4/2019 VanDuyn et al.  
 D845,340 S 4/2019 Wu et al.  
 D850,468 S 6/2019 Malahy et al.  
 D851,128 S 6/2019 Tauban  
 D862,515 S 10/2019 Guzmán et al.  
 D877,196 S \* 3/2020 Wu ..... D14/492  
 D879,142 S \* 3/2020 Voiles ..... D14/489  
 D883,324 S \* 5/2020 Mollinga ..... D14/489  
 D885,427 S \* 5/2020 Elgena ..... D14/489  
 D885,428 S \* 5/2020 Elgena ..... D14/489  
 D885,431 S \* 5/2020 Griffin ..... D14/492  
 2001/0003835 A1 6/2001 Watts  
 2002/0105534 A1 8/2002 Balassan  
 2003/0142136 A1 7/2003 Carter et al.  
 2007/0154075 A1 7/2007 Matsumoto  
 2008/0094369 A1 4/2008 Ganatra et al.  
 2008/0215978 A1 9/2008 Bamba  
 2008/0238916 A1 10/2008 Ghosh et al.  
 2011/0164029 A1 7/2011 King et al.  
 2013/0097563 A1 4/2013 Velho et al.  
 2013/0132909 A1 5/2013 Song et al.  
 2013/0263027 A1 10/2013 Petschnigg et al.  
 2013/0275898 A1 10/2013 Fujimoto et al.  
 2015/0077323 A1 3/2015 Ramaswamy et al.  
 2016/0231883 A1 8/2016 Zambetti et al.

OTHER PUBLICATIONS

Trademark Serial No. 74582426, Apple Inc., filed Oct. 5, 1994.  
 Trademark Serial No. 77629609, Common Impact, Inc., filed Dec. 9, 2008.  
 Trademark Serial No. 85287146, Apple Inc., filed Apr. 5, 2011.  
 Trademark Serial No. 85939587, Citrix Systems Inc., filed May 22, 2013.  
 Trademark Serial No. 87237591, Apple Inc. filed Nov. 15, 2016.  
 3D Cube Icon, iconswebsite.com [online], dated Nov. 16, 2016, retrieved from the Internet <URL: <http://iconswebsite.com/shutterstock-irnage/3d-cube-icon-516815581.html>>.  
 3D Spinning Cube in Allegro 5, by Lorand, YouTube [online], dated Apr. 23, 2013, retrieved from the Internet <URL: <https://www.youtube.com/watch?v=6NP-PFRIfpk>>.  
 3D Cube, by tommytwotrai n, social.sdn.microsoft.com [online], dated Jan. 5, 2017, retrieved from the Internet <URL: <https://social.msdn.microsoft.com/Forums/vstudio/en-US/ef572fc3-d6bd-4cf0-baae-b968a14236ea/display-amp-rotate-a-3d-cube-using-visual-basic?f%E2%80%A6>>.  
 Rotating Isometric Cube, by Fitch, dribbble.com [online], dated May 30, 2016, retrieved from the Internet <URL: <https://dribbble.com/shots/2746178-Rotating-Isometric-Cube>>.  
 Trademark Serial No. 86948525, Fetchl Transport LLC, Limited Liability Company, filed Mar. 22, 2016.  
 Loading #2, by Versleijen, dribbble.com [online], dated Dec. 1, 2016, retrieved from the Internet <URL: <https://dribbble.com/shots/3129814-Loading-2>>.

(56)

**References Cited**

OTHER PUBLICATIONS

Javascript 3D Cube Animation, YouTube [online], dated May 18, 2016, retrieved from the Internet <URL: <https://www.youtube.com/watch?v=f6y0m6zwq2E>>.

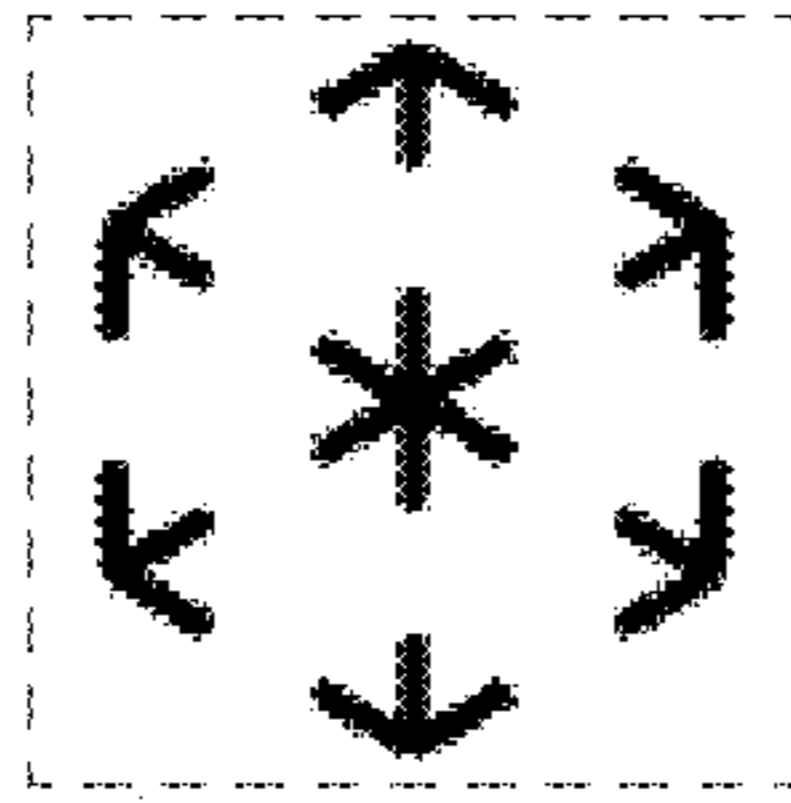
Hupx, by szalaypeti, logopond.com [online], dated Jan. 16, 2009, retrieved from the Internet <URL: <https://logopond.com/szalaypeti/showcase/detail/50625>>.

Trademark Serial No. 85538497, Integrated Micro-Electronics Inc., first use date 1991, Phillipines.

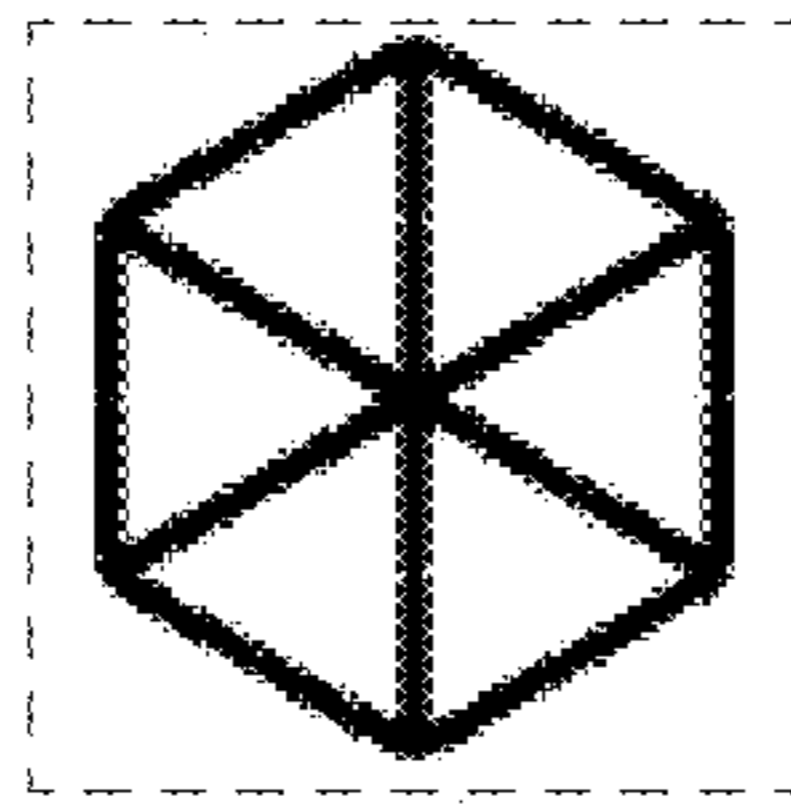
Icons for Techpark Georgia, by Mirninoshwili, dribbble.com [online], dated Jan. 26, 2016, retrieved from the Internet <URL: <https://dribbble.com/shots/2482700-Icons-for-Techpark-Georgia>>.

Trademark Serial No. 86724811, The Board of Regents of the University of Texas System, State Agency, Texas, filed Aug. 14, 2015.

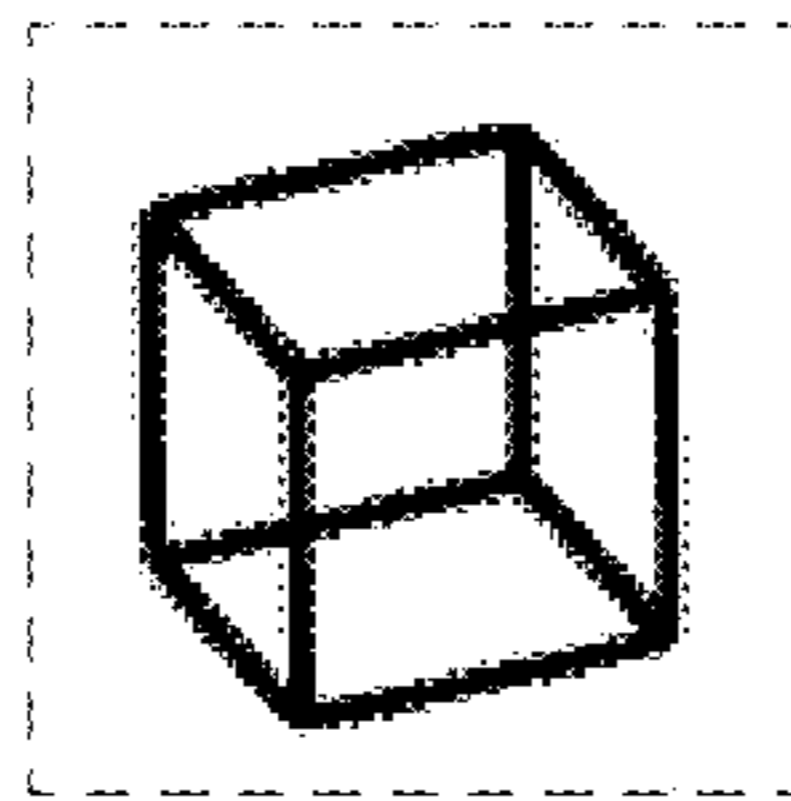
\* cited by examiner



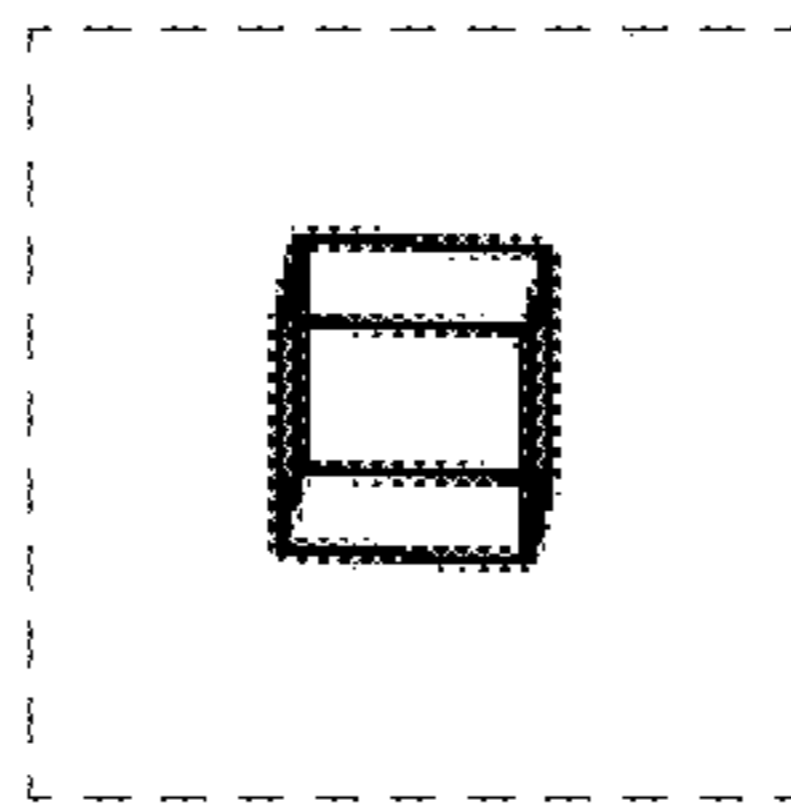
**FIG. 1**



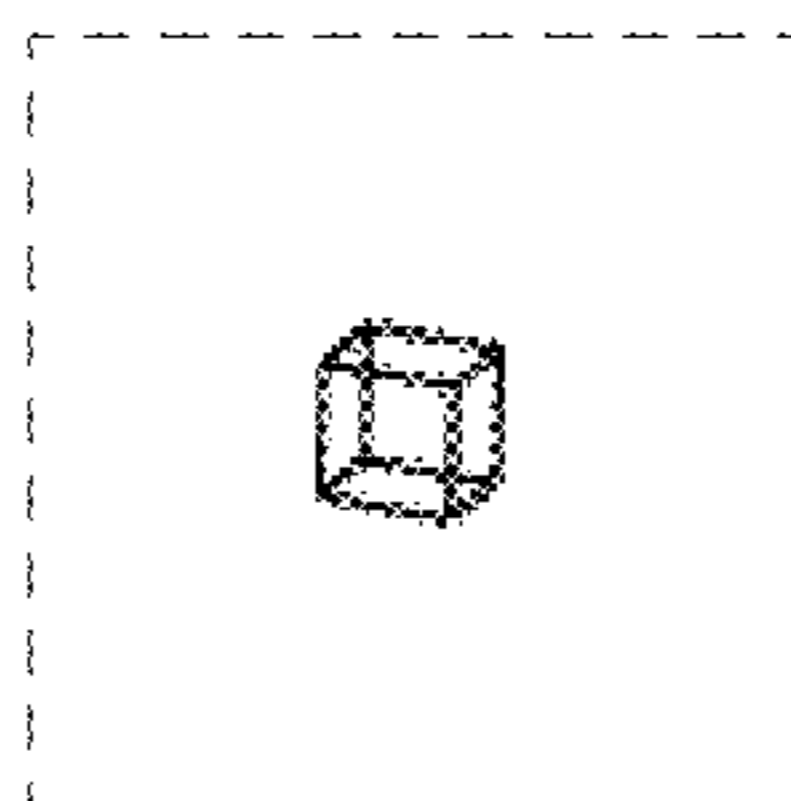
**FIG. 2**



**FIG. 3**



**FIG. 4**



**FIG. 5**