



US00D896246S

(12) **United States Design Patent**
Chesworth et al.

(10) **Patent No.:** **US D896,246 S**

(45) **Date of Patent:** **** Sep. 15, 2020**

(54) **DISPLAY SCREEN WITH ANIMATED GRAPHICAL USER INTERFACE**

(71) Applicant: **BALLY GAMING, INC.**, Las Vegas, NV (US)

(72) Inventors: **Jack Chesworth**, Hurlstone (AU); **Ross Malcom Gilbertson**, Ultimo (AU); **Samuel Goodall**, Marrickville (AU); **Tod Sarlemyn**, Harrington Park (AU)

(73) Assignee: **SG Gaming, Inc.**, Las Vegas, NV (US)

(**) Term: **15 Years**

(21) Appl. No.: **29/685,942**

(22) Filed: **Apr. 1, 2019**

(51) **LOC (12) Cl.** **14-04**

(52) **U.S. Cl.**
USPC **D14/485**

(58) **Field of Classification Search**
USPC D14/485–495
CPC G06F 17/211; G06F 17/212; G06F 3/1251;
G06F 3/0481; G06F 2203/04807
See application file for complete search history.

(56) **References Cited**

U.S. PATENT DOCUMENTS

5,701,424	A *	12/1997	Atkinson	G06F 3/0482	715/808
D462,122	S *	8/2002	Hutcheson	D24/169	
7,650,570	B2 *	1/2010	Torrens	G11B 27/105	715/727
D624,557	S *	9/2010	Allen	D14/488	
D625,319	S *	10/2010	Allen	D14/485	
D685,391	S *	7/2013	Blissenbach	D14/492	
D697,080	S *	1/2014	Scholz	D14/489	
D699,251	S *	2/2014	Rao	D14/486	
D699,750	S *	2/2014	Pearson	D14/488	
8,707,211	B2 *	4/2014	Yasui	G06F 3/0482	715/834

D716,316	S *	10/2014	Behzadi	D14/485	
D716,319	S *	10/2014	Fan	D14/485	
8,910,078	B2 *	12/2014	Sweeney	G06F 3/0481	715/800
9,021,398	B2 *	4/2015	Kotler	G06F 3/04812	715/834
D729,260	S *	5/2015	Ahn	D14/485	
9,026,944	B2 *	5/2015	Kotler	G06F 3/0482	715/828
D737,855	S *	9/2015	Hastings	D14/495	
D744,535	S *	12/2015	Shin	D14/489	

(Continued)

Primary Examiner — Daniel J Domino

(74) *Attorney, Agent, or Firm* — Banner & Witcoff, Ltd.

(57) **CLAIM**

The ornamental design for a display screen with animated graphical user interface, as shown and described.

DESCRIPTION

FIG. 1 is the first image in a sequence for a display screen with animated graphical user interface showing our new design;

FIG. 2 is the second image thereof;

FIG. 3 is the third image thereof;

FIG. 4 is the fourth image thereof;

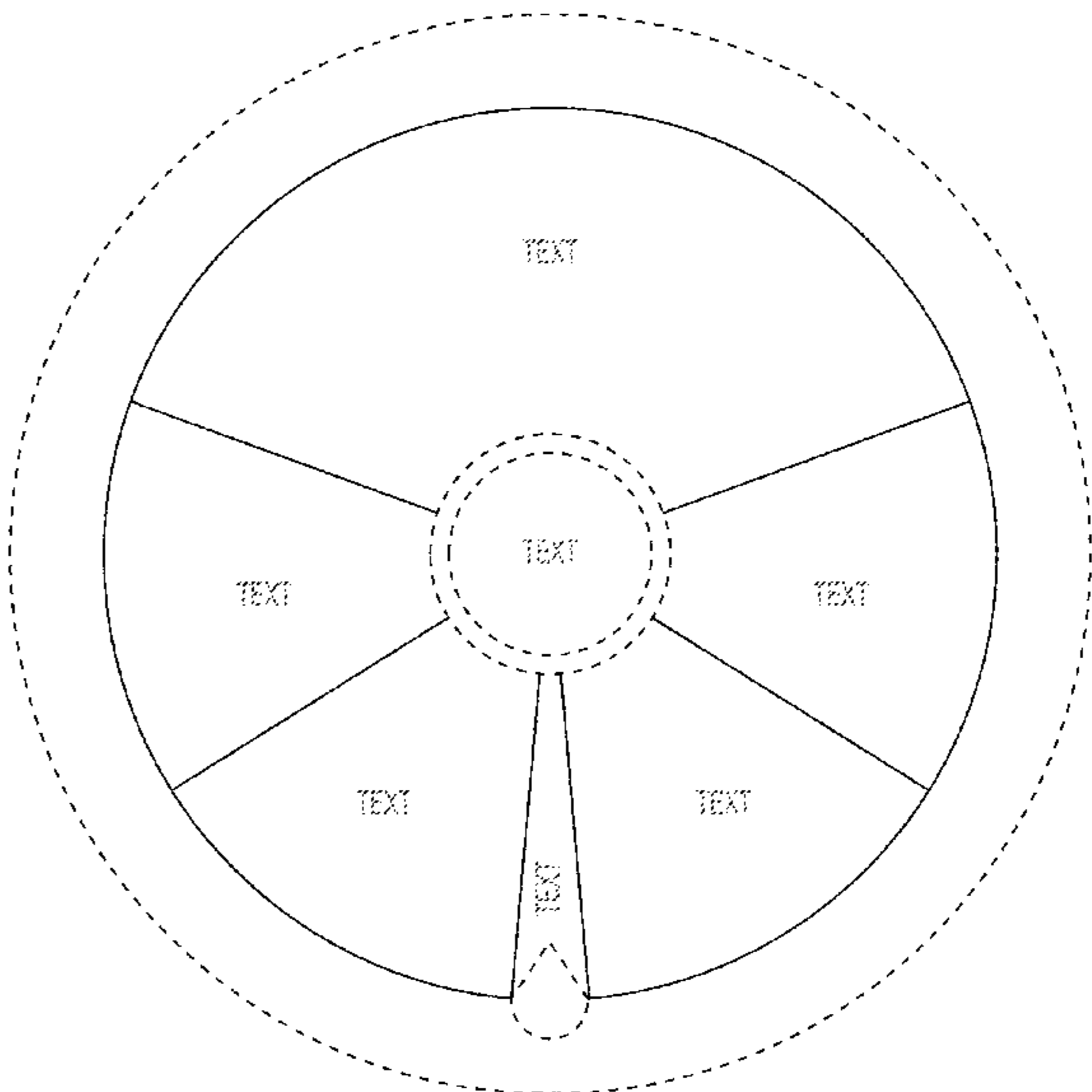
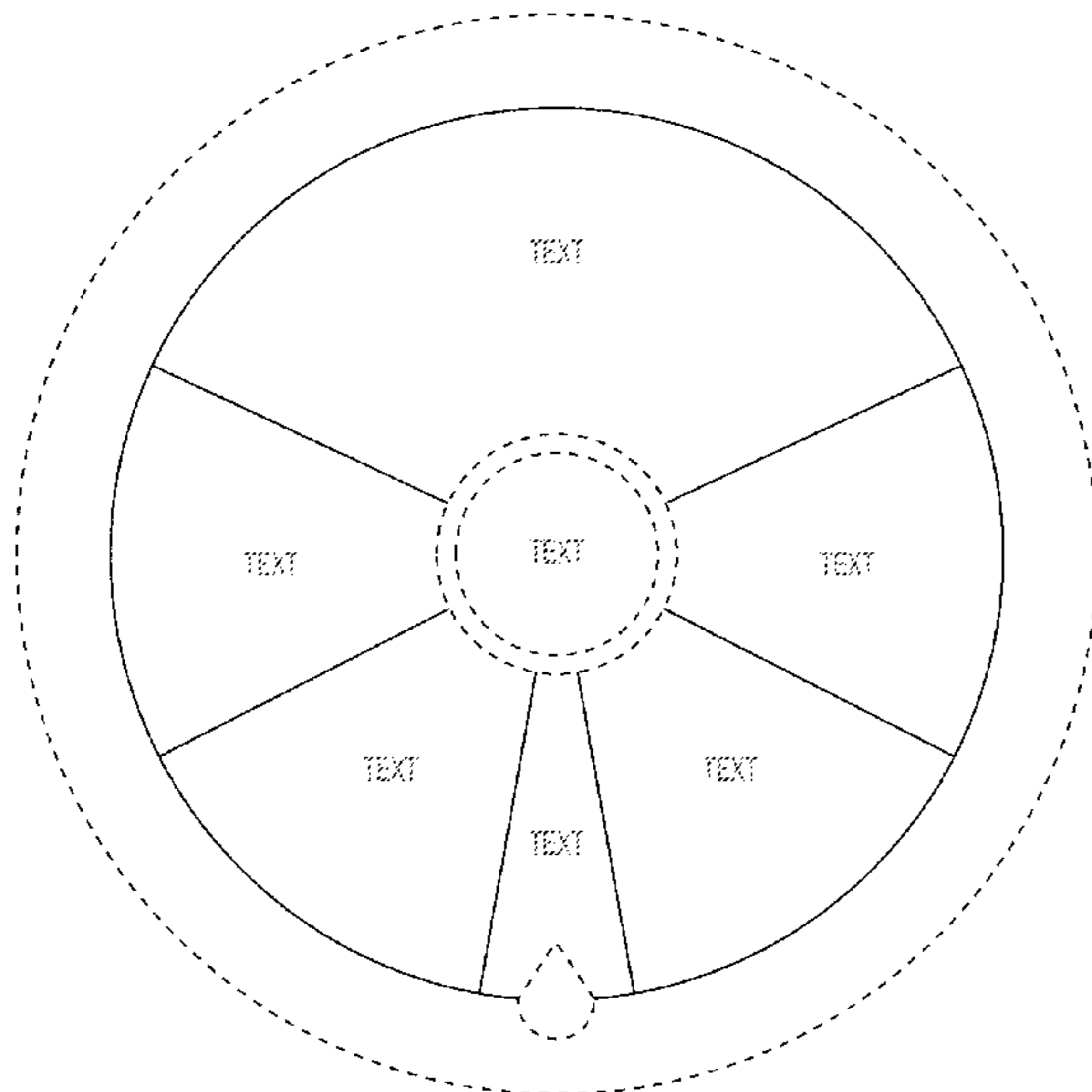
FIG. 5 is the fifth image thereof;

FIG. 6 is the sixth image thereof; and,

FIG. 7 is the seventh image thereof.

The peripheral circular broken line represents a peripheral boundary of the display screen and forms no part of the claimed design. The broken line showing of the word text, a pointer, and other features within the disclaimed peripheral boundary forms no part of the claimed design. The appearance of the graphical user interface sequentially transitions between the images shown in FIGS. 1-7. The process or period in which one image transitions to another forms no part of the claimed design.

1 Claim, 7 Drawing Sheets



(56)

References Cited

U.S. PATENT DOCUMENTS

D745,015 S * 12/2015 Wang D14/485
 D753,712 S * 4/2016 Lee G06F 3/04817
 D757,746 S * 5/2016 Lee D14/485
 D761,840 S * 7/2016 Patterson D14/488
 D762,709 S * 8/2016 Hsieh D14/488
 D763,269 S * 8/2016 Lee D14/485
 D764,493 S * 8/2016 Sanderson D14/485
 D765,669 S * 9/2016 Shaw D14/485
 D765,672 S * 9/2016 Raff D14/485
 D769,287 S * 10/2016 Lirov D14/486
 9,557,881 B1 * 1/2017 Jain G06F 3/0481
 D780,804 S * 3/2017 Cho D14/489
 D783,046 S * 4/2017 Dzijind D14/488
 D787,536 S * 5/2017 Pantelis D14/486
 D787,547 S * 5/2017 Basargin D14/488
 D791,165 S * 7/2017 Modestine D14/487
 D794,065 S * 8/2017 Lider D14/488
 D795,898 S * 8/2017 Li D14/486
 D797,792 S * 9/2017 Patterson D14/488
 D798,326 S * 9/2017 Kim D14/486
 D800,764 S * 10/2017 Thoreson D14/488
 D801,386 S * 10/2017 Xu D14/489
 D803,247 S * 11/2017 Mistry D14/486
 D804,514 S * 12/2017 Watanabe D14/487
 D806,120 S * 12/2017 Elatta D14/490
 D808,983 S * 1/2018 Narinedhat D14/485
 D808,986 S * 1/2018 Dudey D14/485
 D808,994 S * 1/2018 Mangold D14/486
 D810,755 S * 2/2018 Josephson D14/485
 D811,420 S * 2/2018 Gaur D14/485
 D811,421 S * 2/2018 Caldwell G06Q 40/12
 D813,268 S * 3/2018 Cabrera, Jr. D14/489
 D813,884 S * 3/2018 Penker D14/485
 D814,499 S * 4/2018 Ok D14/486
 D814,508 S * 4/2018 Holl D14/488
 D817,973 S * 5/2018 Akatsu D14/485
 D818,001 S * 5/2018 Elatta D14/489
 D818,489 S * 5/2018 Lider D14/488
 D819,066 S * 5/2018 Anderson D14/486
 D822,705 S * 7/2018 Antihi D14/486
 D823,320 S * 7/2018 Peeters D14/485
 D824,405 S * 7/2018 Narinedhat D14/486

D825,583 S * 8/2018 Liu G06Q 10/06393
 D830,372 S * 10/2018 Gratzki D14/485
 D831,697 S * 10/2018 Elatta D14/489
 D832,284 S * 10/2018 Tokash D14/485
 D832,870 S * 11/2018 Hu D14/486
 D834,606 S * 11/2018 Dascola D14/486
 D835,142 S * 12/2018 Li D14/486
 D835,143 S * 12/2018 Kim D14/486
 D837,824 S * 1/2019 Itano D14/488
 D840,428 S * 2/2019 Narinedhat D14/488
 D840,430 S * 2/2019 Elatta D14/489
 D842,332 S * 3/2019 Patterson D14/488
 D843,382 S * 3/2019 Shadforth D14/485
 D844,013 S * 3/2019 Peeters D14/485
 D845,317 S * 4/2019 Wellmeier D14/486
 D845,332 S * 4/2019 Shriram D14/486
 D845,970 S * 4/2019 Josephson D14/485
 D846,576 S * 4/2019 Iannotti D14/486
 D847,155 S * 4/2019 Cheney D14/485
 D847,857 S * 5/2019 Elatta D14/489
 D854,551 S * 7/2019 Pistiner D14/485
 D854,568 S * 7/2019 Hu D14/486
 D854,569 S * 7/2019 Hu D14/486
 D858,540 S * 9/2019 Lian D14/485
 D861,021 S * 9/2019 Vincent D14/486
 D861,703 S * 10/2019 Suslik D14/485
 D863,338 S * 10/2019 Antihi D14/486
 D866,565 S * 11/2019 Cohen G16H 10/60
 D866,584 S * 11/2019 Burroughs D14/486
 D868,802 S * 12/2019 Tzeng D14/485
 D868,803 S * 12/2019 Suslik D14/485
 D872,108 S * 1/2020 Wang D14/485
 D874,492 S * 2/2020 Henderson D14/486
 D874,502 S * 2/2020 Krishnamurthy D14/486
 D875,742 S * 2/2020 Kang D14/485
 D876,450 S * 2/2020 Suslik D14/485
 D877,179 S * 3/2020 Iannotti D14/486
 D878,397 S * 3/2020 Gratzki D14/485
 D880,498 S * 4/2020 Shahidi D14/485
 D880,501 S * 4/2020 Shadforth D14/485
 D881,904 S * 4/2020 Angeles D14/485
 2010/0299637 A1 * 11/2010 Chmielewski G06F 3/04883
 715/834
 2013/0104071 A1 * 4/2013 Boutoussov G06F 3/0481
 715/781

* cited by examiner

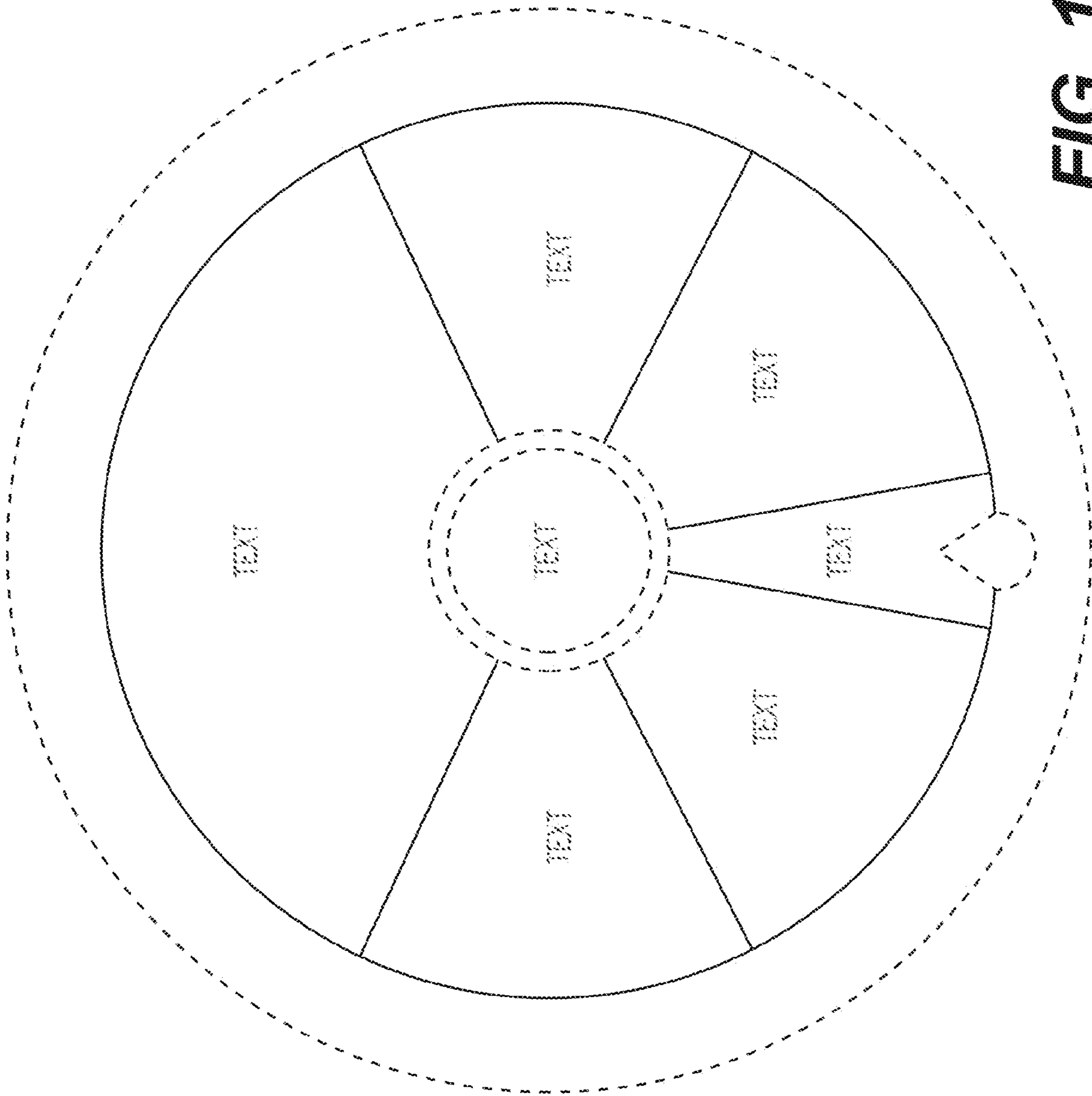


FIG. 1

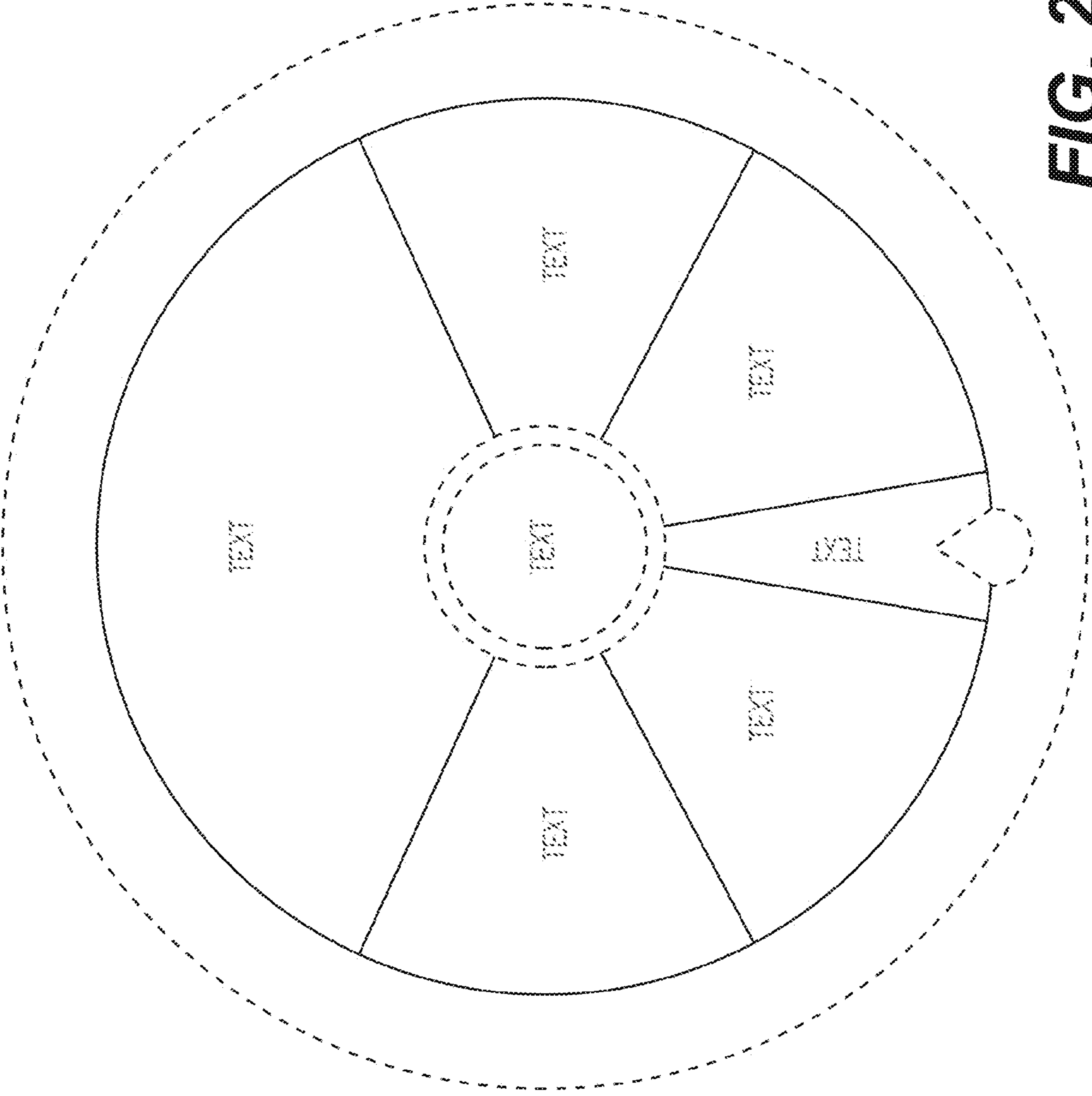


FIG. 2

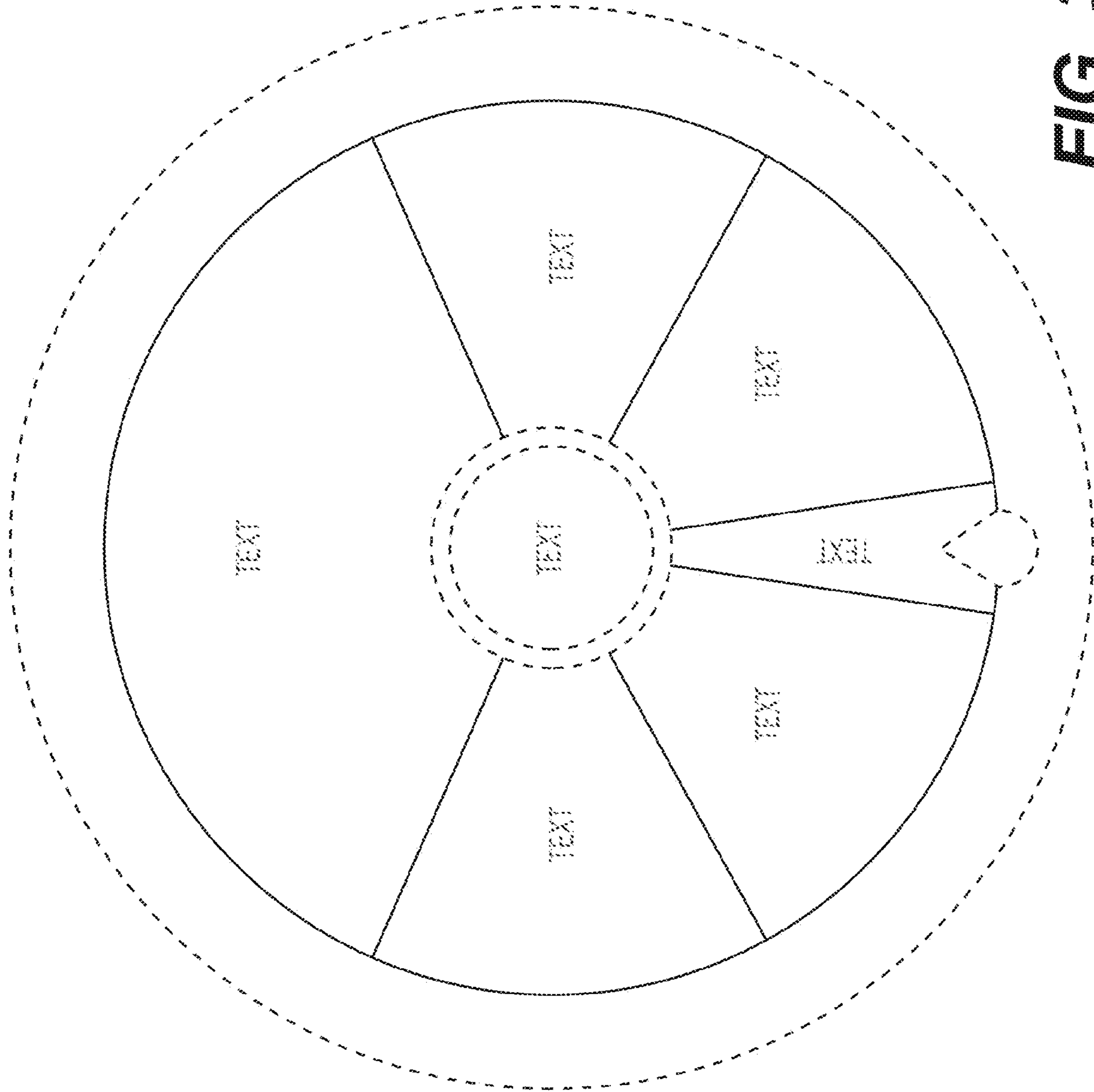


FIG. 3

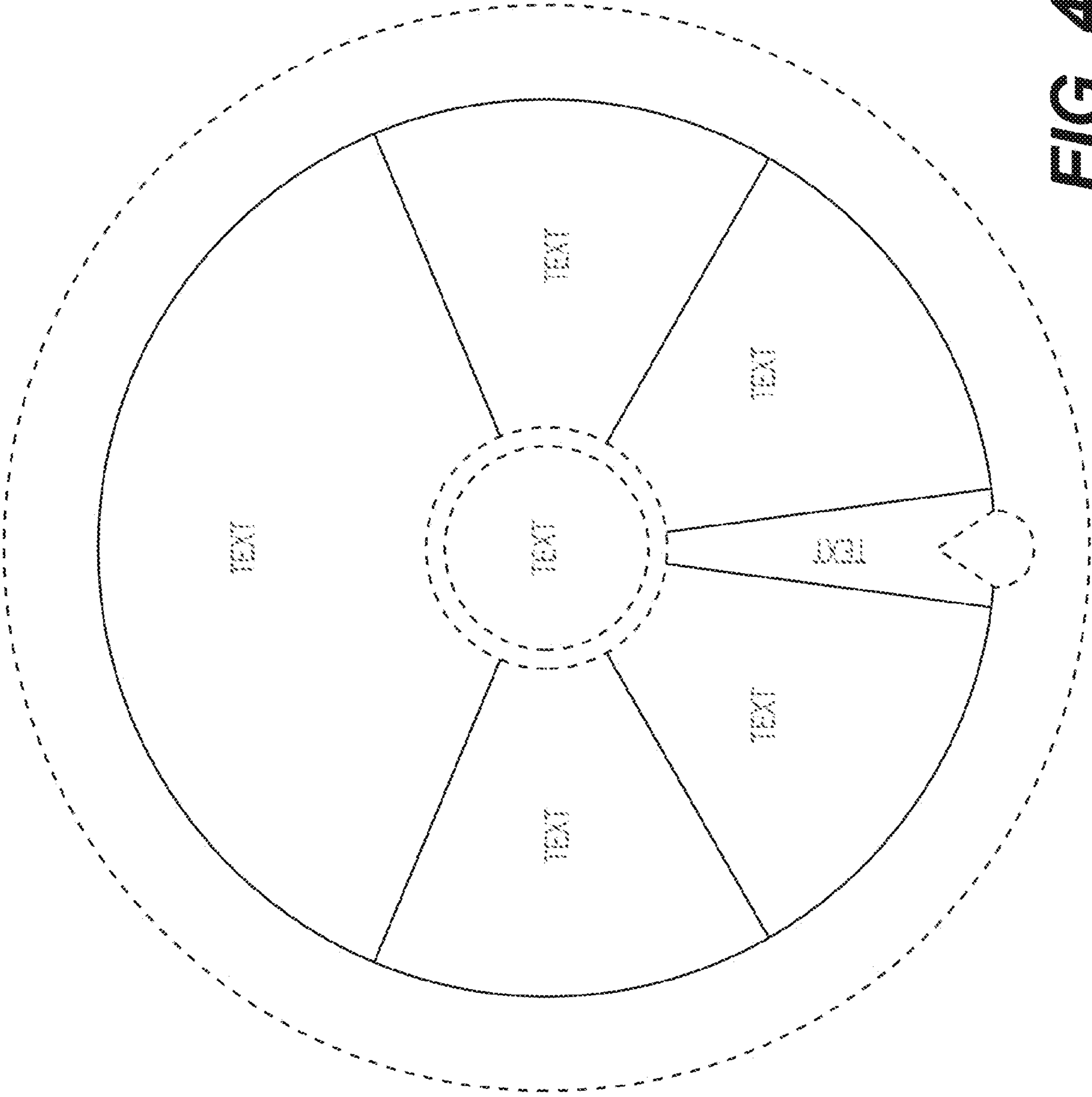


FIG. 4

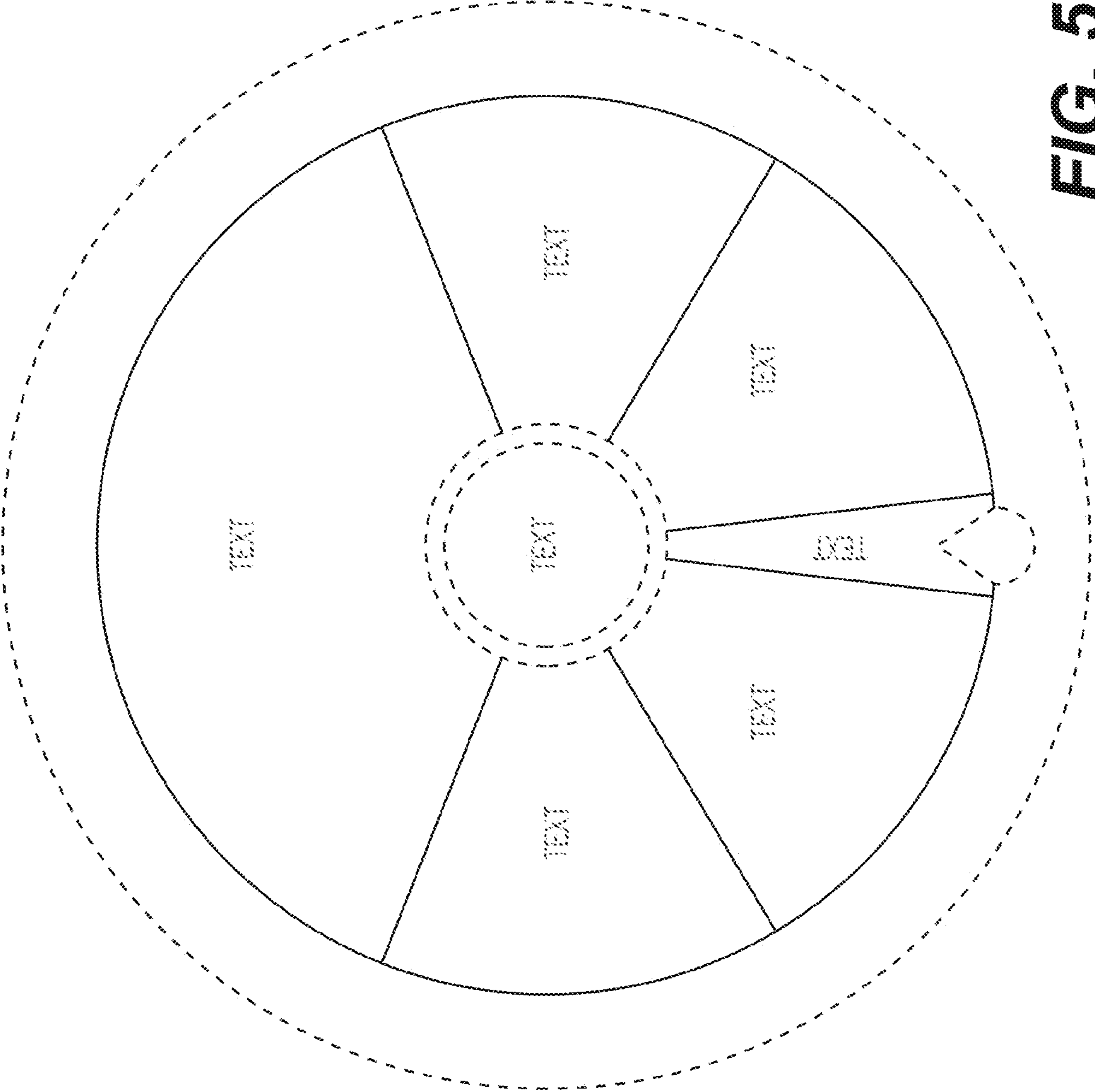


FIG. 5

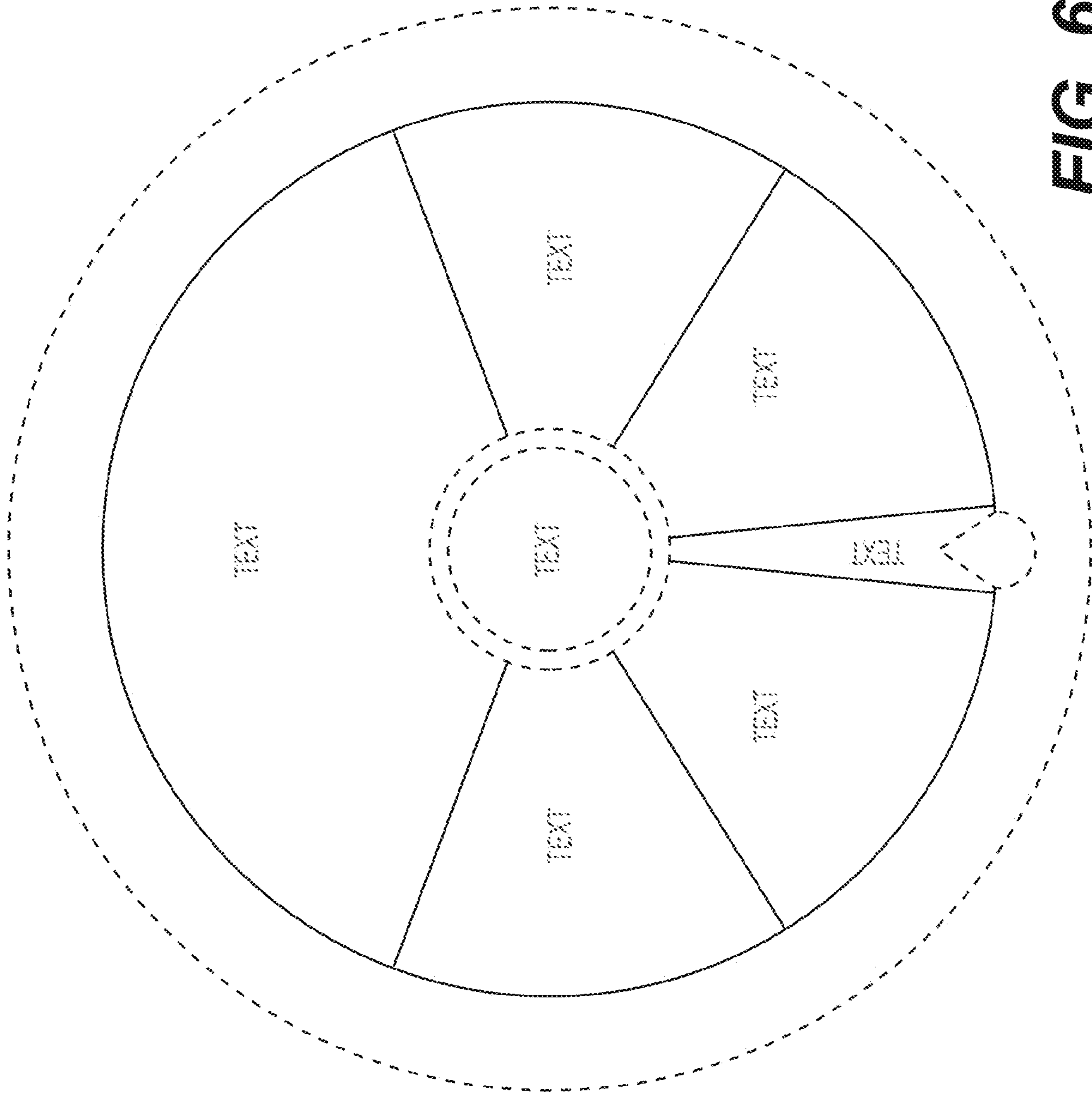


FIG. 6

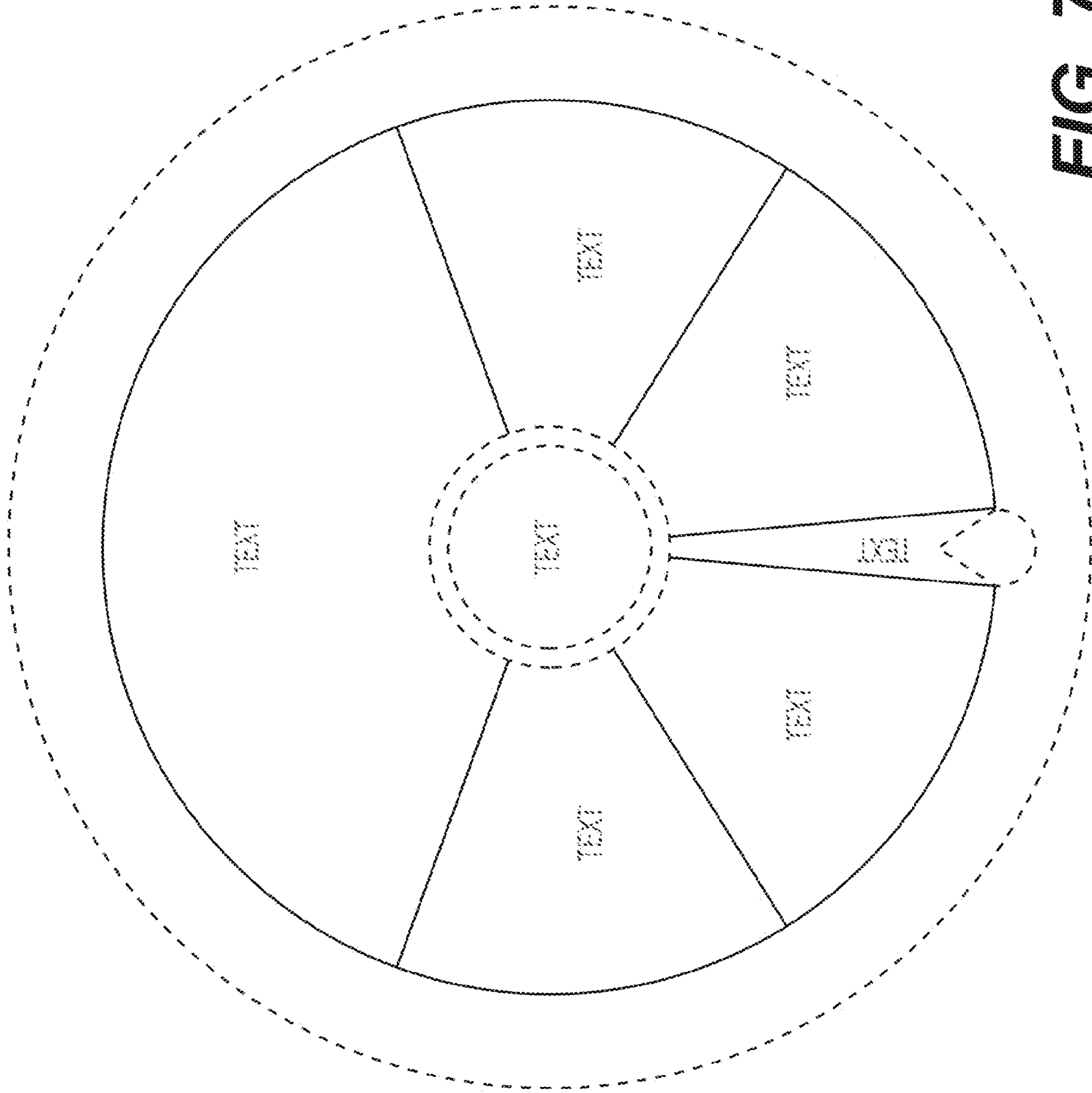


FIG. 7