



US00D896234S

(12) **United States Design Patent** (10) **Patent No.:** **US D896,234 S**
Garrity, III (45) **Date of Patent:** **** Sep. 15, 2020**

(54) **PHONE OR TABLET STAND**

(56) **References Cited**

(71) Applicant: **James Aloysius Garrity, III**, Tarzana, CA (US)

U.S. PATENT DOCUMENTS

(72) Inventor: **James Aloysius Garrity, III**, Tarzana, CA (US)

D249,889 S * 10/1978 DeAmicis D23/259
D252,255 S * 7/1979 Uyeda D8/394
D335,805 S * 5/1993 Ransom D8/51
D344,226 S * 2/1994 Glynn D8/73
D348,816 S * 7/1994 Degen D8/73
D359,466 S * 6/1995 Eggers D12/115

(**) Term: **15 Years**

(Continued)

(21) Appl. No.: **29/693,979**

OTHER PUBLICATIONS

(22) Filed: **Jun. 6, 2019**

iOttie Easy Smart Tap 2 Universal Tablet Mount in 4 pages.
https://www.bhphotovideo.com/c/product/1085502-REG/iottie_hlcricio141_easy_smart_tap_2.html.

(51) **LOC (12) Cl.** **14-02**

(52) **U.S. Cl.**
USPC **D14/447**

(Continued)

(58) **Field of Classification Search**

Primary Examiner — Katie Jane Stofko
(74) *Attorney, Agent, or Firm* — Knobbe, Martens, Olson & Bear LLP

USPC D14/371–382, 125–129, 336, 337, D14/447–452, 492, 335, 239, 457, D14/439–441, 432, 251–253; D8/51, 73, D8/349, 354, 363, 373, 376, 380, 394; D21/333; D12/415; D3/10, 218; 348/180, 184, 325, 739, 825; 248/323, 248/278.1, 286.1
CPC G06F 3/0412; G06F 3/016; G06F 3/0488; G06F 3/011; G06F 3/038; G06F 3/03543; G06F 3/0338; G06F 3/0202; G06F 3/0219; G06F 3/0213; G06F 1/1616; G06F 3/023; G06F 3/04883; G02F 1/13338; G02F 1/1313; G02F 1/1333; G02F 1/135; G02F 1/132; G02F 1/133308; G02F 1/134309; G02F 1/13718; G09G 3/3648; G06K 15/1252; B41J 2/465; G03F 7/70291; G02B 27/0172; G02B 5/30; G02B 2027/0118; G02B 27/0101; F16M 13/02; F16M 13/00; F16M 11/10; F16M 11/04; F16M 2200/08; F16M 11/2021; A47B 21/0314; A47B 88/044; A47B 2021/0335; H02G 3/126; F16B 47/00; F16B 47/006; A47G 1/17; A47K 2201/00

(57) **CLAIM**

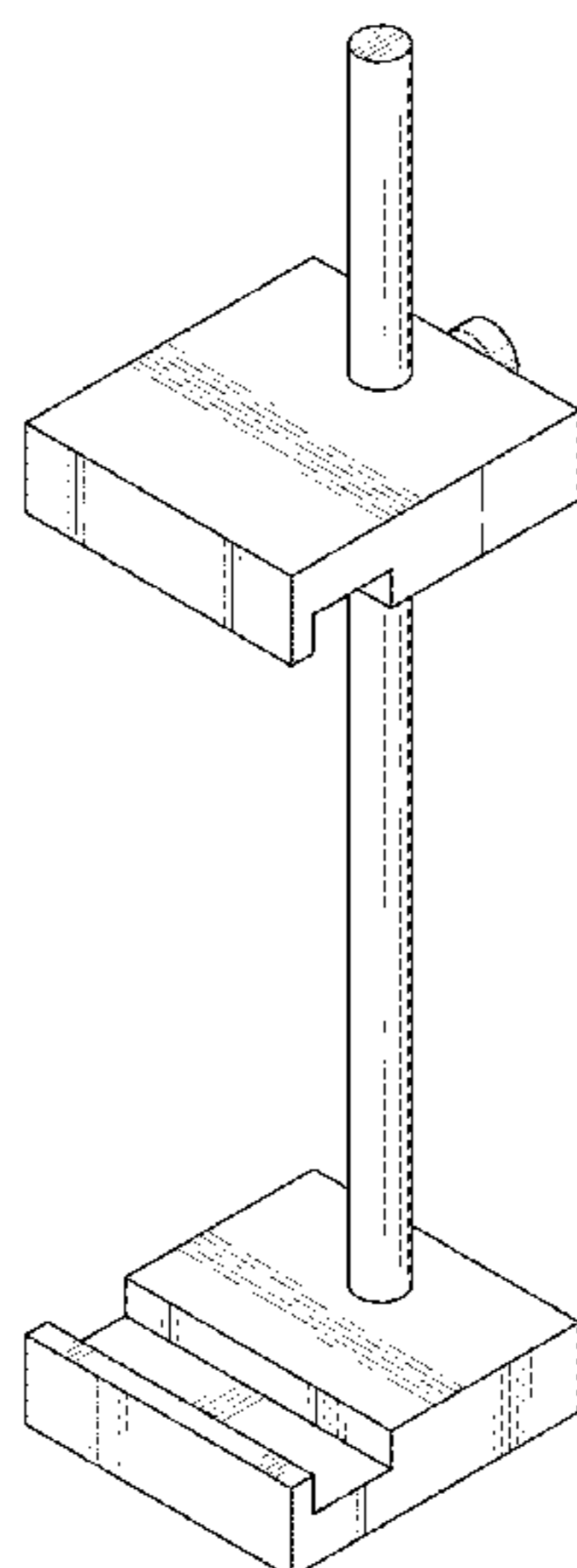
The ornamental design for a phone or tablet stand, as shown and described.

DESCRIPTION

FIG. 1 is a top, front and right perspective view of a phone or tablet stand;
FIG. 2 is a bottom, rear and left perspective view thereof;
FIG. 3 is a front elevation view thereof;
FIG. 4 is a rear elevation view thereof;
FIG. 5 is a right side elevation view thereof;
FIG. 6 is a top plan view thereof;
FIG. 7 is a bottom plan view thereof; and,
FIG. 8 is a top, front and right perspective view thereof, shown in an alternate position and in an environment of use. The broken lines shown in FIGS. 2 and 7 illustrate portions of the phone or tablet stand that form no part of the claimed design. The broken lines in FIG. 8 illustrate environment that form no part of the claimed design.

See application file for complete search history.

1 Claim, 7 Drawing Sheets



(56)

References Cited

U.S. PATENT DOCUMENTS

D378,343 S * 3/1997 Macor D8/73
D393,998 S * 5/1998 Anderson D8/394
D810,091 S * 2/2018 Cho D14/451
D820,062 S * 6/2018 Martin D8/73
D859,953 S * 9/2019 Pililaa D8/73
2016/0167201 A1* 6/2016 Saraie B25B 1/2405
29/559
2018/0314297 A1* 11/2018 Teator G03B 11/00

OTHER PUBLICATIONS

Wakeye XT-One Universal Smart Phone / Tablet Holder (Holder Only) in 5 pages. <https://www.h2oproshop.com/products/wakeye-xt-one-universal-smart-phone-tablet-holder-holder-only>.

* cited by examiner

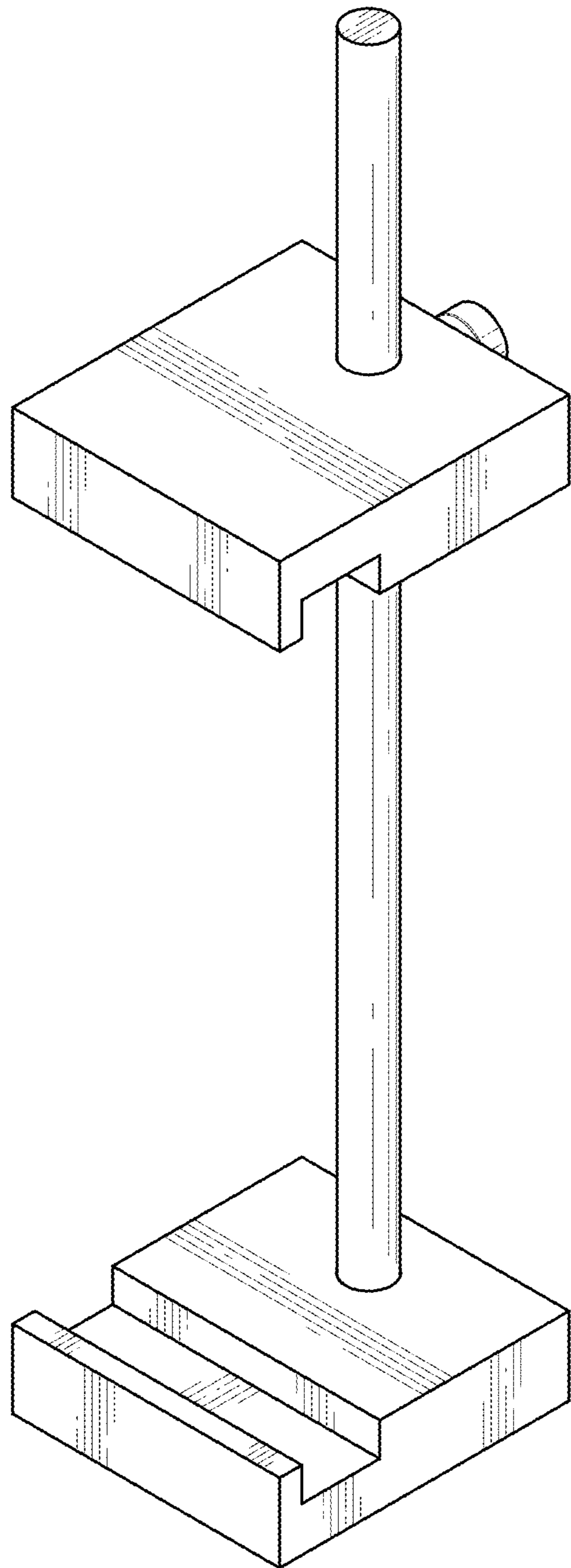


FIG. 1

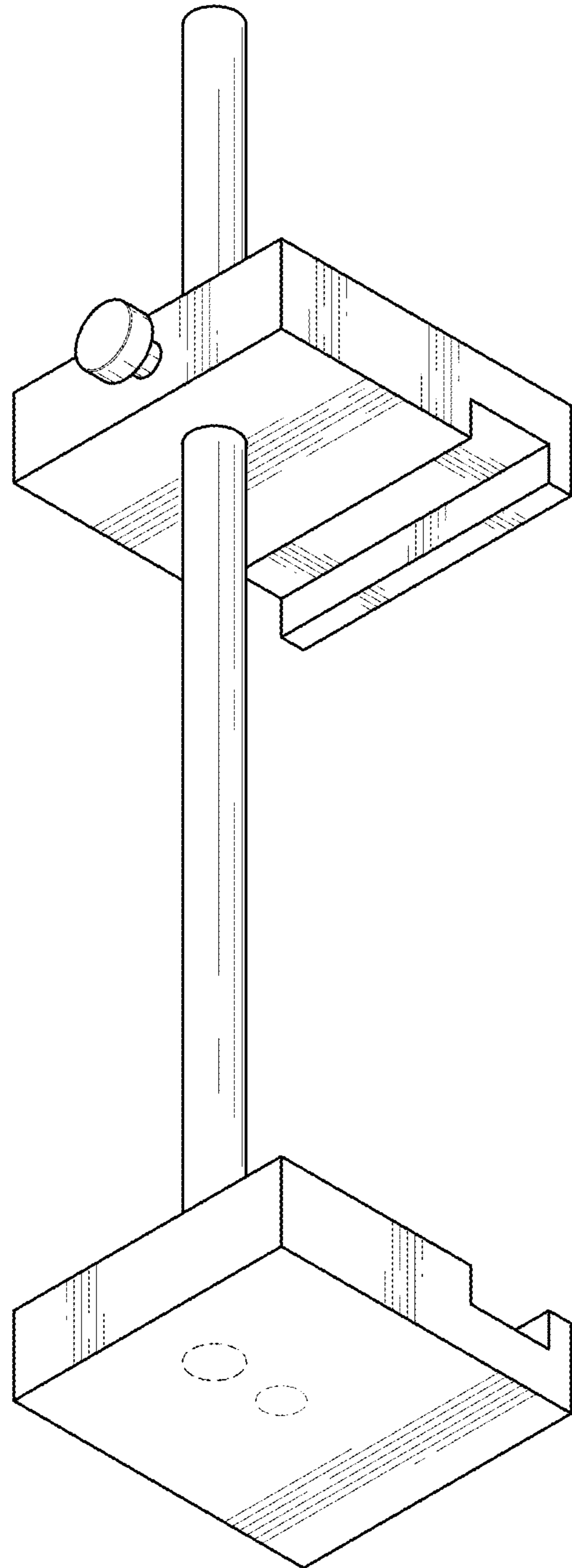


FIG. 2

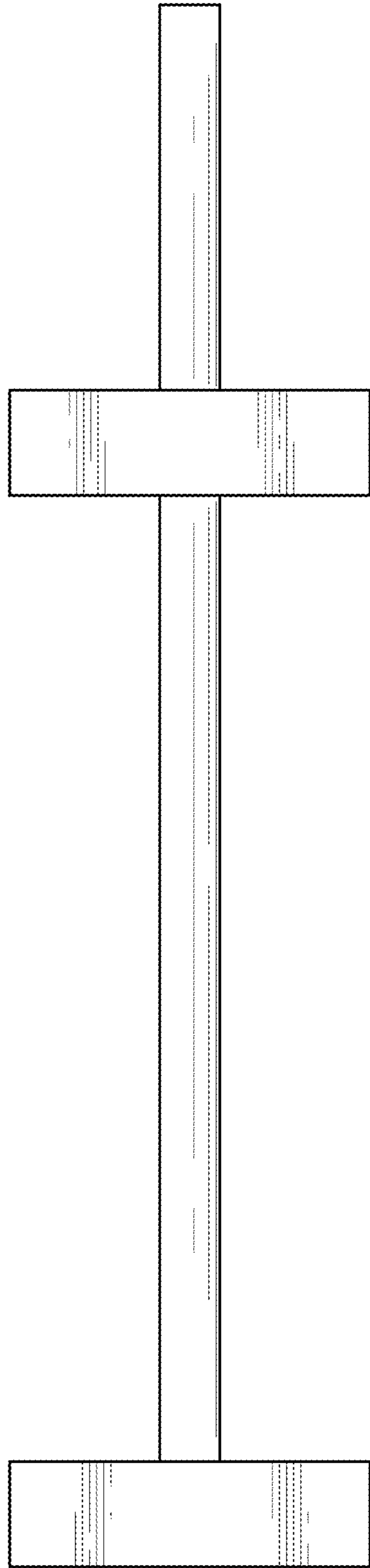


FIG. 3

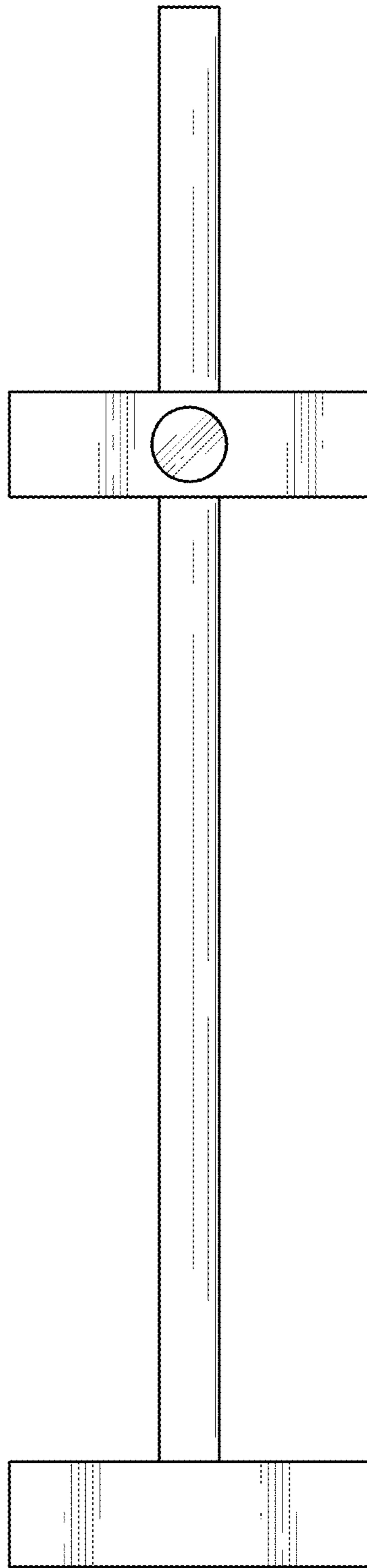


FIG. 4

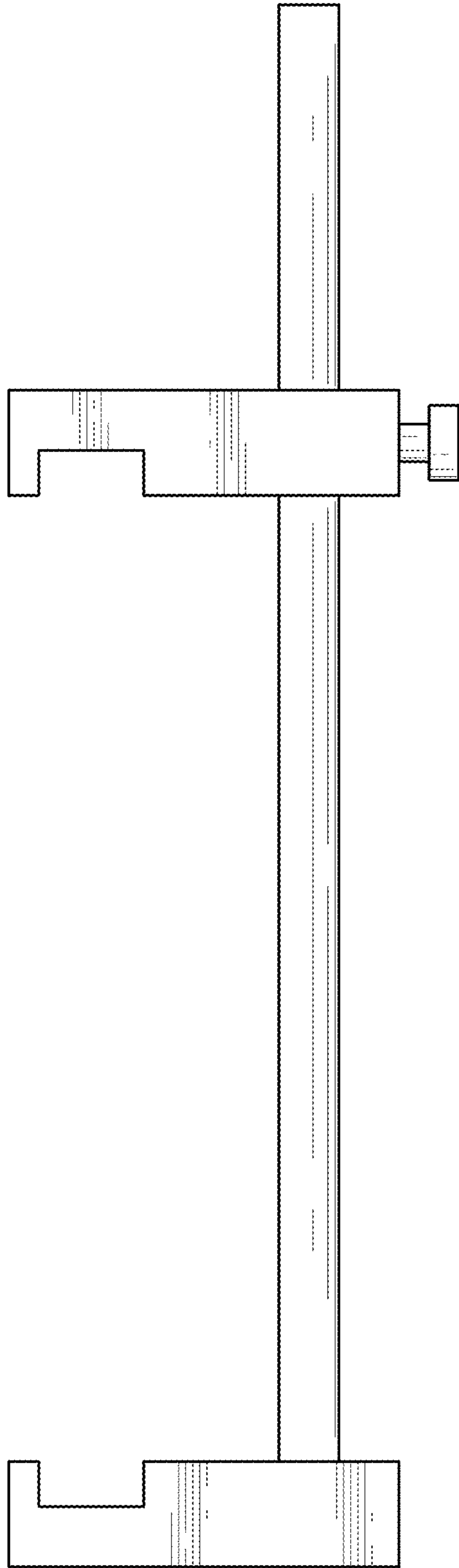


FIG. 5

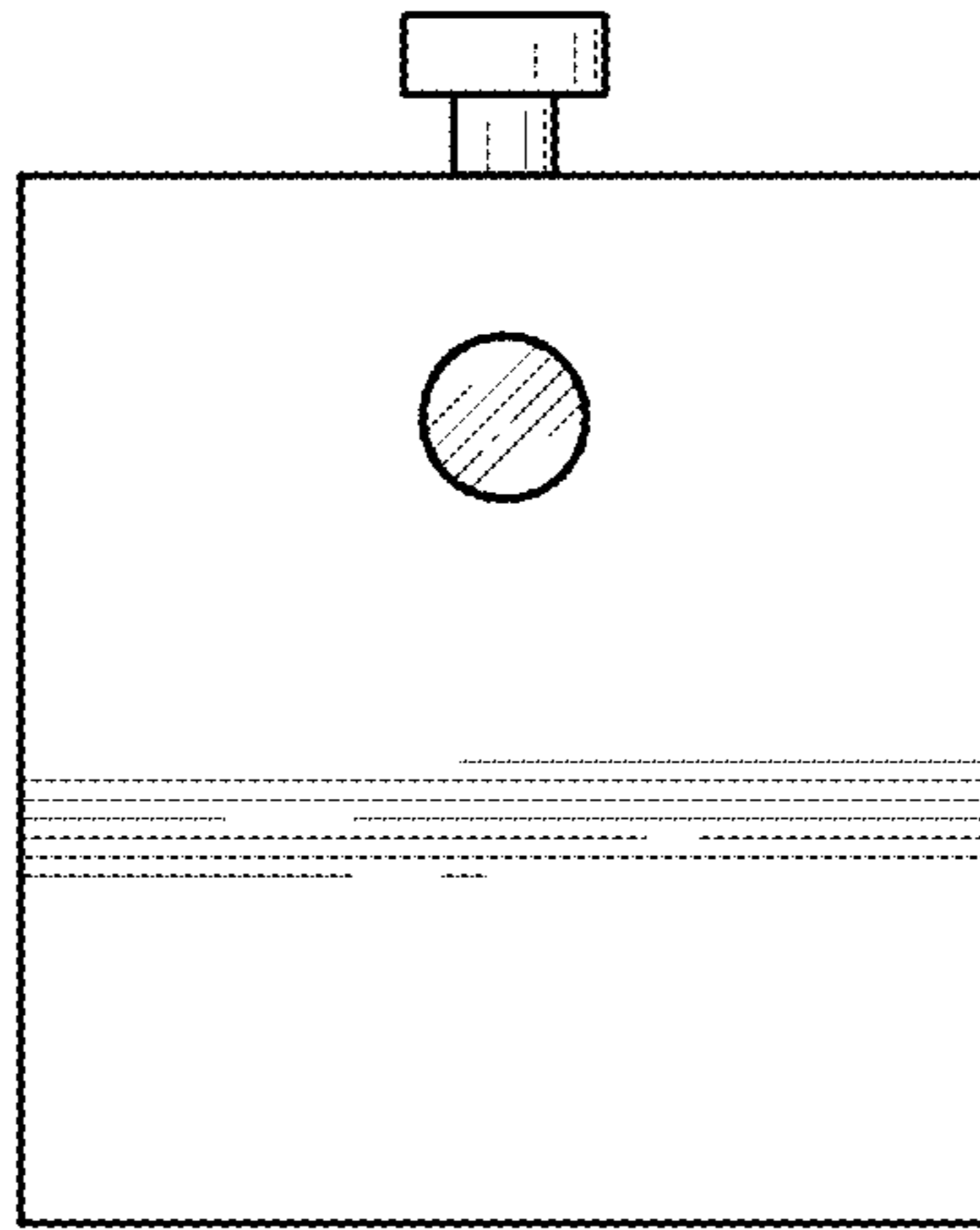


FIG. 6

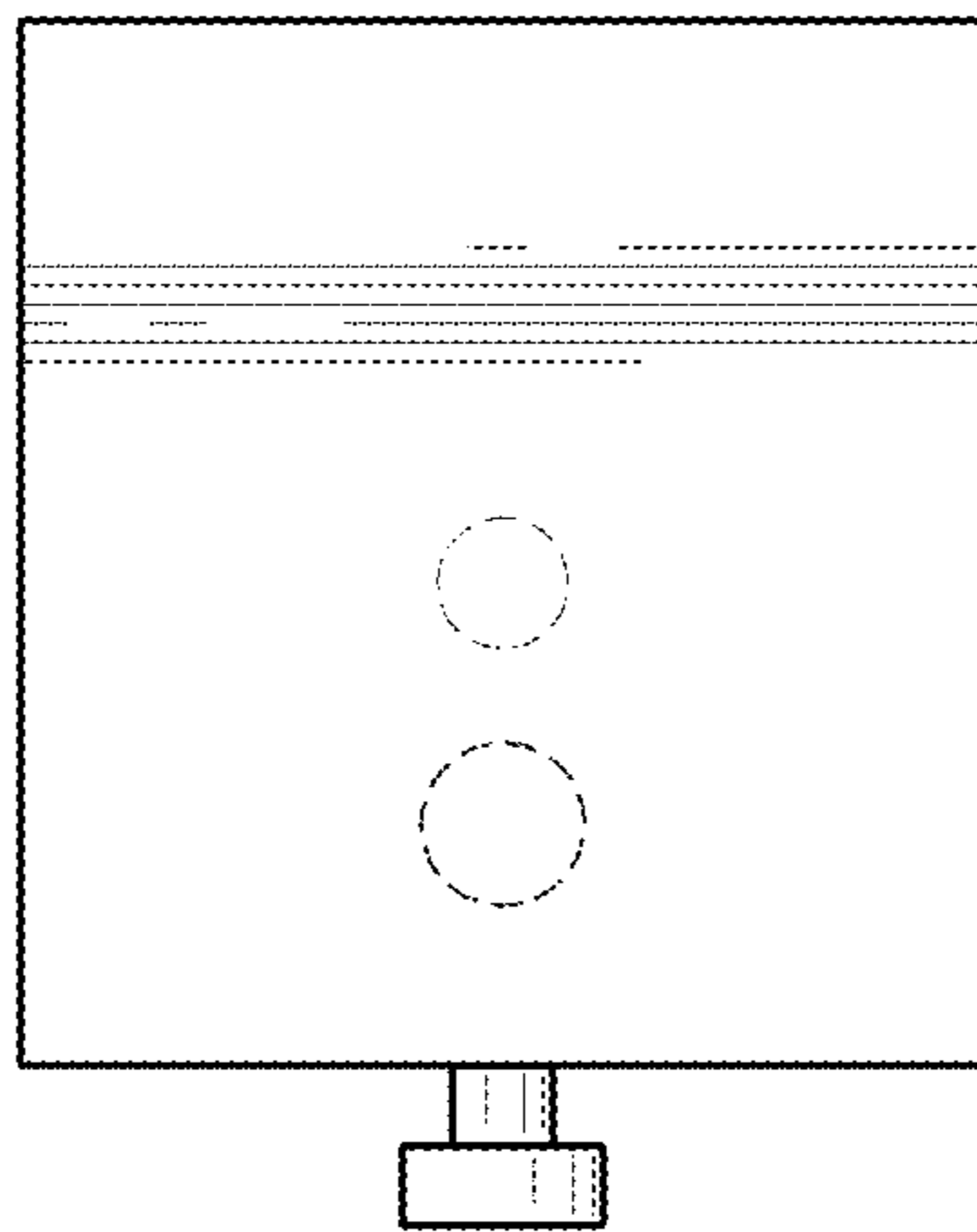


FIG. 7

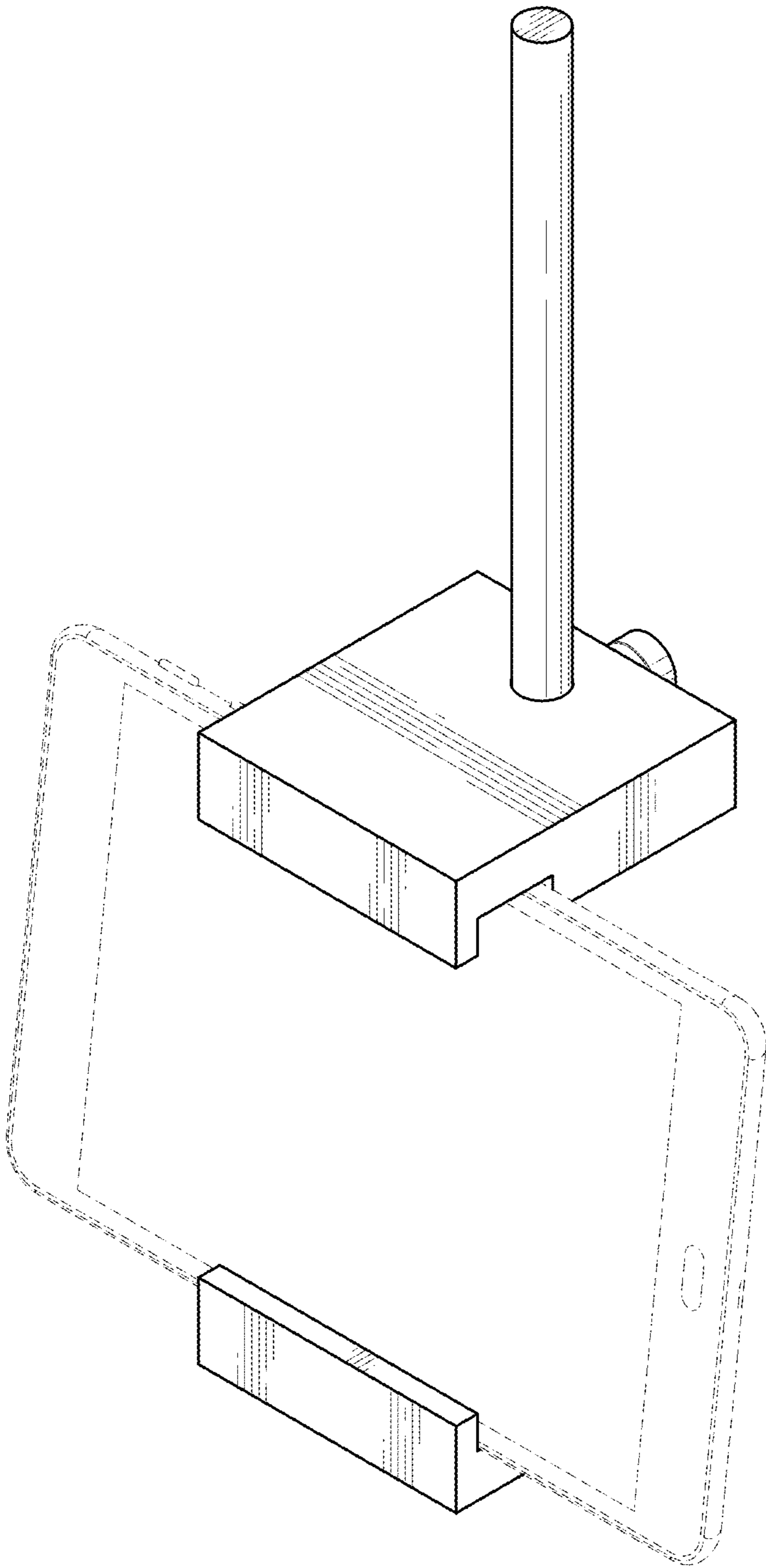


FIG. 8