



US00D896232S

(12) **United States Design Patent** (10) **Patent No.:** **US D896,232 S**
Akana et al. (45) **Date of Patent:** **** Sep. 15, 2020**

(54) **HOUSING MODULE FOR AN ELECTRONIC DEVICE**

(71) Applicant: **Apple Inc.**, Cupertino, CA (US)

(72) Inventors: **Jody Akana**, San Francisco, CA (US); **Molly Anderson**, San Francisco, CA (US); **Bartley K. Andre**, Palo Alto, CA (US); **Shota Aoyagi**, San Francisco, CA (US); **Anthony Michael Ashcroft**, San Francisco, CA (US); **Marine C. Bataille**, San Francisco, CA (US); **Jeremy Bataillou**, San Francisco, CA (US); **Markus Diebel**, San Francisco, CA (US); **Aidan R. Gallagher**, San Francisco, CA (US); **Jason M. Gillier**, San Jose, CA (US); **M. Evans Hankey**, San Francisco, CA (US); **Julian Hoenig**, San Francisco, CA (US); **Richard P. Howarth**, San Francisco, CA (US); **Jonathan P. Ive**, San Francisco, CA (US); **Julian Jaede**, San Francisco, CA (US); **Duncan Robert Kerr**, San Francisco, CA (US); **Derek C. Krass**, Santa Cruz, CA (US); **Sowmya Laxminarayanan**, San Jose, CA (US); **Jason B. Neevel**, Santa Clara, CA (US); **Peter Russell-Clarke**, San Francisco, CA (US); **Benjamin Andrew Shaffer**, San Jose, CA (US); **Jason P. Shannon**, Sunnyvale, CA (US); **Mikael Silvano**, San Francisco, CA (US); **Sung-Ho Tan**, San Francisco, CA (US); **Clement Tissandier**, San Francisco, CA (US); **Eugene Antony Whang**, San Francisco, CA (US); **Rico Zörkendörfer**, Jackson, WY (US)

(73) Assignee: **Apple Inc.**, Cupertino, CA (US)

(**) Term: **15 Years**

(21) Appl. No.: **29/691,313**

(22) Filed: **May 15, 2019**

(51) **LOC (12) Cl.** 14-02

(52) **U.S. Cl.**
USPC **D14/439**

(58) **Field of Classification Search**
 USPC D14/341-347, 424, 425, 432-453, 464, D14/468, 469, 471, 496, 511, 138 AA, D14/138 AD, 138 C, 138 G, 203.1-203.8, D14/217, 238.1, 248, 250, 257, 299; 361/679.01, 679.02, 679.03, 679.3, 361/679.55, 679.56; 455/550.1, 556.1, 455/556.2, 575.1, 575.3-575.5, 575.8, 455/90.3

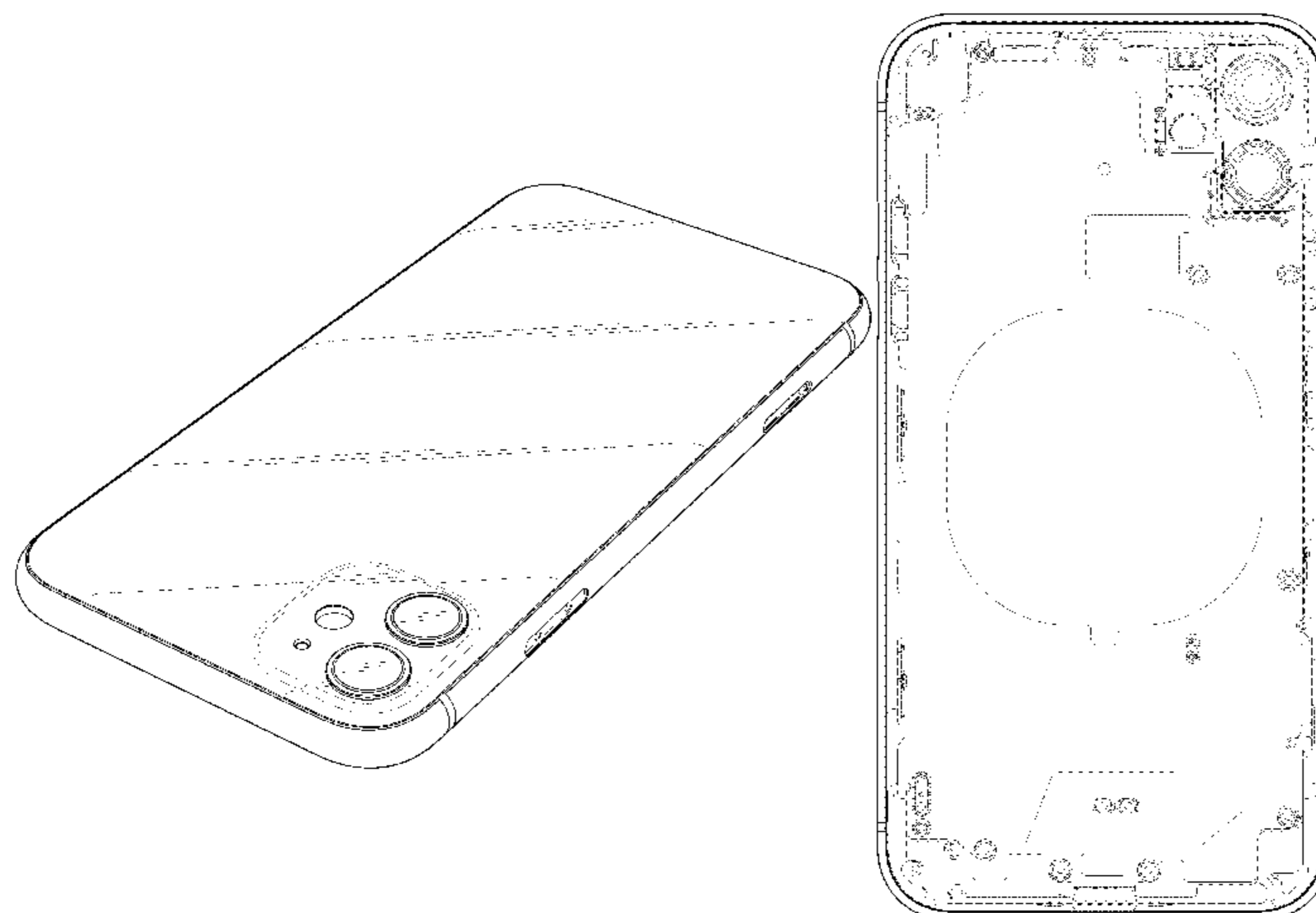
CPC H04M 1/0277; H04M 1/0202; H04M 1/02; H04B 1/3838

See application file for complete search history.

(56) **References Cited**

U.S. PATENT DOCUMENTS

D114,891 S	5/1939	Fogel
D191,070 S	8/1961	McCreery
D411,448 S	6/1999	Baker
D465,486 S	11/2002	Lee
D556,681 S	12/2007	Kim
D574,819 S	8/2008	Andre et al.
D575,056 S	8/2008	Tan
7,660,560 B2	2/2010	Zuo et al.
7,697,281 B2	4/2010	Dabov et al.
D619,361 S	7/2010	Andre et al.
D622,716 S	8/2010	Andre et al.
D623,180 S	9/2010	Diebel
D624,403 S	9/2010	Hansen et al.
7,796,381 B2	9/2010	Zuo et al.
D624,815 S	10/2010	Hansen et al.
D625,303 S	10/2010	Kim
D625,524 S	10/2010	Schwartz et al.
D627,343 S	11/2010	Andre et al.
7,911,774 B2	3/2011	Nakanishi et al.
D643,837 S	8/2011	Smith et al.
D647,519 S	10/2011	Rothbaum et al.
D648,718 S	11/2011	Andre et al.
D653,202 S	1/2012	Hasbrook et al.
D662,503 S	6/2012	Akana et al.
D666,202 S	8/2012	Dinh et al.
8,250,724 B2	8/2012	Dabov et al.
D670,281 S	11/2012	Corpuz et al.
D671,102 S	11/2012	Rothbaum et al.
D677,664 S	3/2013	Akana et al.
D677,666 S	3/2013	Akana et al.



D681,032 S	4/2013	Akana et al.	
D697,068 S	1/2014	Andre et al.	
D697,511 S	1/2014	Andre et al.	
D697,918 S	1/2014	Akana et al.	
D699,717 S	2/2014	Akana et al.	
D710,813 S	8/2014	Ichinose	
D718,753 S	12/2014	Akana et al.	
D720,747 S	1/2015	Kim et al.	
D721,346 S	1/2015	Lee et al.	
D723,495 S	3/2015	Jeong	
D723,567 S	3/2015	Akana et al.	
D729,809 S	5/2015	Akana et al.	
D730,361 S	5/2015	Akana et al.	
D732,498 S	6/2015	Huang et al.	
D732,539 S	6/2015	Akana et al.	
D733,146 S	6/2015	Akana et al.	
D735,726 S	8/2015	Chen	
9,114,487 B2	8/2015	Kiple et al.	
D743,389 S	11/2015	Akana et al.	
9,176,701 B2	11/2015	Becze	
D747,319 S	1/2016	Lee	
D747,723 S	1/2016	Kim et al.	
D749,590 S	2/2016	Dinh et al.	
D749,591 S	2/2016	Akana et al.	
D756,948 S	5/2016	Kim et al.	
D757,675 S	5/2016	Seo et al.	
D759,008 S	6/2016	Akana et al.	
D765,661 S	9/2016	Akana et al.	
D768,637 S	10/2016	Akana et al.	
D770,411 S	11/2016	Zhang	
D772,865 S	11/2016	Akana et al.	
D772,877 S	11/2016	Akana et al.	
D774,031 S	12/2016	Otani	
D777,155 S	1/2017	Kim et al.	
D778,905 S	2/2017	Akana et al.	
D780,742 S	3/2017	Guerdrum et al.	
D781,807 S	3/2017	Hubbard et al.	
D791,139 S *	7/2017	Akana	D14/439
D791,732 S	7/2017	Xu et al.	
D795,260 S	8/2017	Schlossberg et al.	
D796,469 S	9/2017	Jin	
D798,260 S	9/2017	Seo et al.	
D800,716 S	10/2017	Akana et al.	
D803,209 S	11/2017	Akana et al.	
D806,705 S	1/2018	Akana et al.	
D815,632 S	4/2018	Akana et al.	
D815,633 S	4/2018	Akana et al.	
D815,634 S	4/2018	Akana et al.	
D816,649 S	5/2018	Song et al.	
D824,389 S *	7/2018	Dinh	D14/439
D824,390 S *	7/2018	Akana	D14/439
D831,025 S *	10/2018	Akana	D14/341
D832,266 S *	10/2018	Akana	D14/439
D832,267 S *	10/2018	Akana	D14/439
D848,999 S *	5/2019	Akana	D14/341
D849,009 S *	5/2019	Akana	D14/439
D849,010 S *	5/2019	Akana	D14/439
D852,197 S *	6/2019	Akana	D14/439
D856,337 S *	8/2019	Akana	D14/439
D856,338 S *	8/2019	Akana	D14/439
D873,832 S *	1/2020	Akana	D14/439
2006/0281501 A1	12/2006	Zuo et al.	
2009/0245565 A1	10/2009	Mittleman et al.	
2010/0146766 A1	6/2010	Dabov et al.	
2012/0008266 A1	1/2012	Nomura	
2012/0092812 A1	4/2012	Lewis et al.	

OTHER PUBLICATIONS

Apple Launches iPhone 8 and iPhone 8 Plus Starting at \$699, posted Sep. 12, 2017, [retrieved May 9, 2018]. Retrieved from Internet:

(URL: <https://www.guidingtech.com/72676/apple-launches-iphone8/>).

Back Rear Housing Cover Battery Door Replacement Part for iPhone 8/8 Plus, Quality, posted unknown, [retrieved May 9, 2018]. Retrieved from Internet: URL:[http://domobest.manufacturer.globalsources.com/si/6008848956994/pdfl/Repair-part/1157196030/Battery- . . .](http://domobest.manufacturer.globalsources.com/si/6008848956994/pdfl/Repair-part/1157196030/Battery-. . .)).

Fingas, Roger, "Leak claims to show schematic for 2019's upcoming 'iPhone XI'," Mar. 28, 2019. Available online at (<https://appleinsider.com/articles/19/03/28/leak-claims-to-show-schematic-for-2019s-upcoming-iphone-xi>).

HTC: Apple ripped off our unibody phone design and antenna bands, not the other way round, posted Oct. 22, 2015, [retrieved May 9, 2018]. Retrieved from Internet: (URL: <http://www.idownloadblog.com/2015/10/22/htc-antenna-design-statement/>).

iPhone 6 Back Housing Replacement (Space Gray), posted Apr. 21, 2014, [retrieved May 9, 2018]. Retrieved from Internet, (URL: <https://www.phonepartworld.com/iphone-6-aluminium-back-housing-replacement-gray>).

Replacement for iPhone X Rear Housing with Frame-White, posted unknown, [retrieved May 9, 2018]. Retrieved from Internet: (URL:<https://www.unionrepair.com/replacement-for-iphone-x-rear-housing-with-frame-white.html>).

Team Digit, "Exclusive: First look at 2019 Apple iPhone XI renders," Jan. 6, 2019. Available online at (<https://www.digit.in/news/mobile-phones/exclusive-first-look-at-2019-iphone-xi-renders-45655.html>).

The iPhone 8 is excellent, but not for everyone, posted Sep. 19, 2017, [retrieved May 9, 2018]. Retrieved from Internet: (URL: <https://mashable.com/2017/09/19/apple-iphone-8-and-iphone-8-plus-review/#fOyLRIFfRkql>).

Twitter, @OnLeaks, "Excitement level over 9000!!!" Jan. 5, 2019. Available online at (<https://twitter.com/OnLeaks/status/1081902300434780161>).

Wayback Machine Internet Archive, "iPhone 7 Pre-order Sep. 9," Apple Inc., dated Sep. 7, 2016, accessed Jan. 16, 2018. Available online at (<https://web.archive.org/web/20160907191555/https://www.apple.com/shop/buy-iphone/iphone-7>).

* cited by examiner

Primary Examiner — Austin Murphy
(74) Attorney, Agent, or Firm — Sterne, Kessler, Goldstein & Fox, P.L.L.C.

(57) CLAIM

The ornamental design for a housing module for an electronic device, as shown.

DESCRIPTION

FIG. 1 is a bottom front perspective view of a housing module for an electronic device showing the claimed design; FIG. 2 is a top rear perspective view thereof; FIG. 3 is a front view thereof; FIG. 4 is a rear view thereof; FIG. 5 is a left side view thereof; FIG. 6 is a right side view thereof; FIG. 7 is a top view thereof; and, FIG. 8 is a bottom view thereof.

The broken lines in the figures show portions of the housing module for an electronic device that form no part of the claimed design.

1 Claim, 6 Drawing Sheets

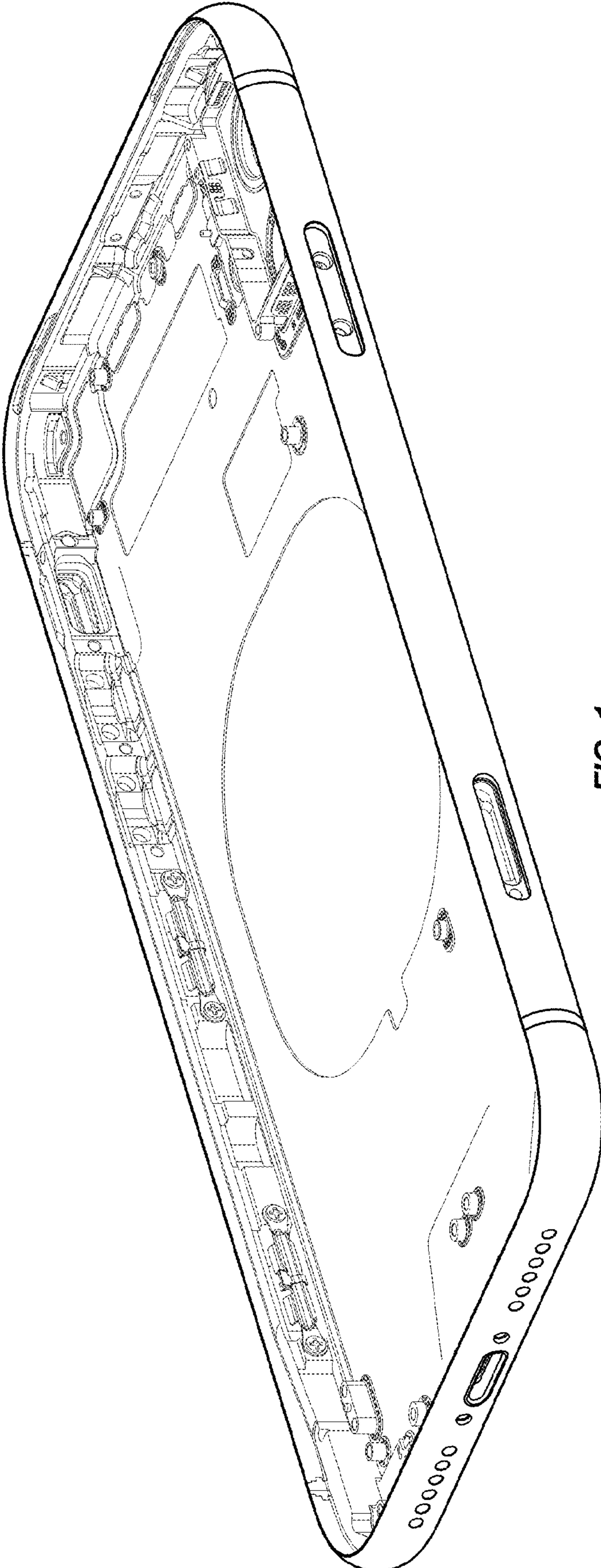


FIG. 1

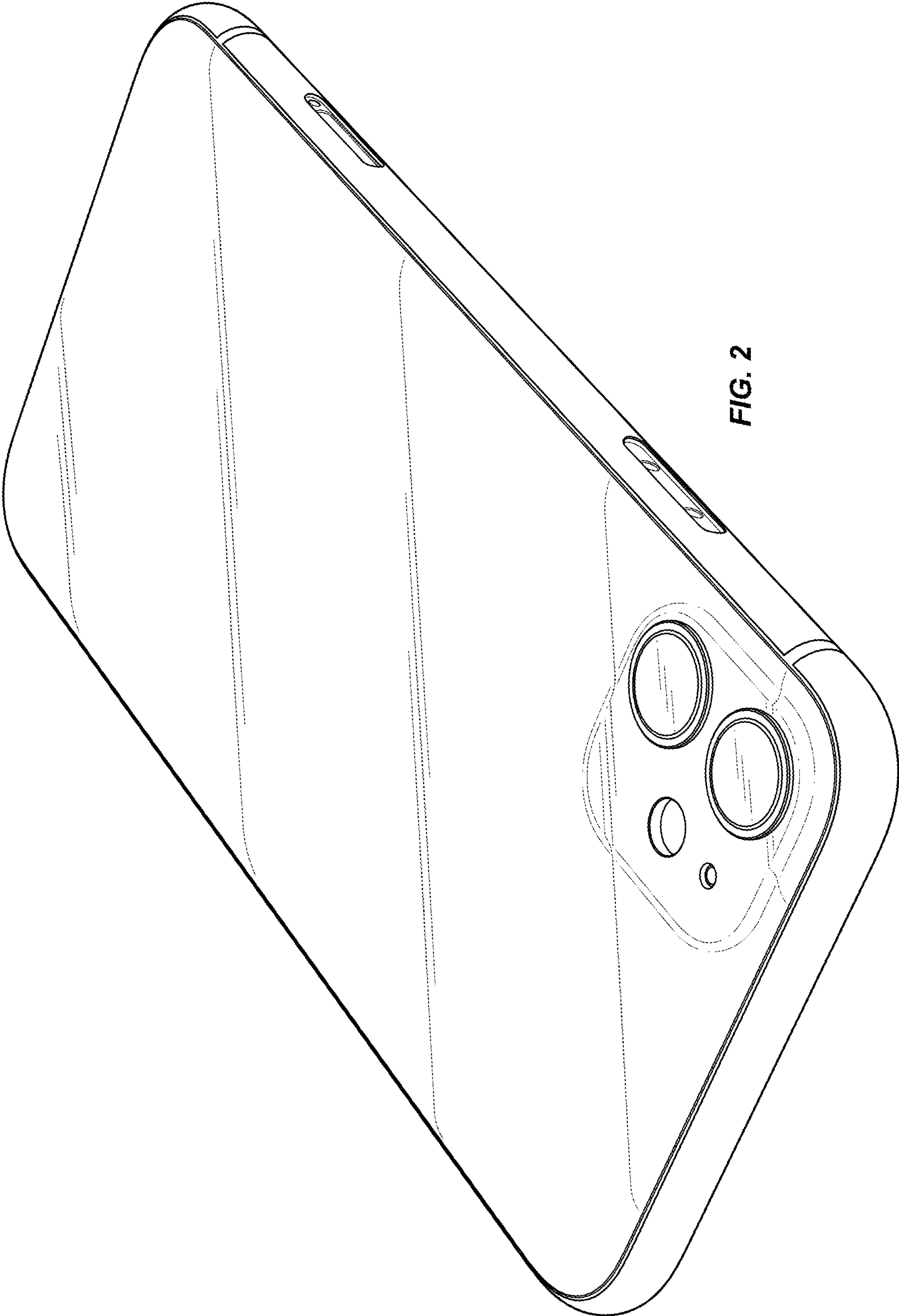


FIG. 2

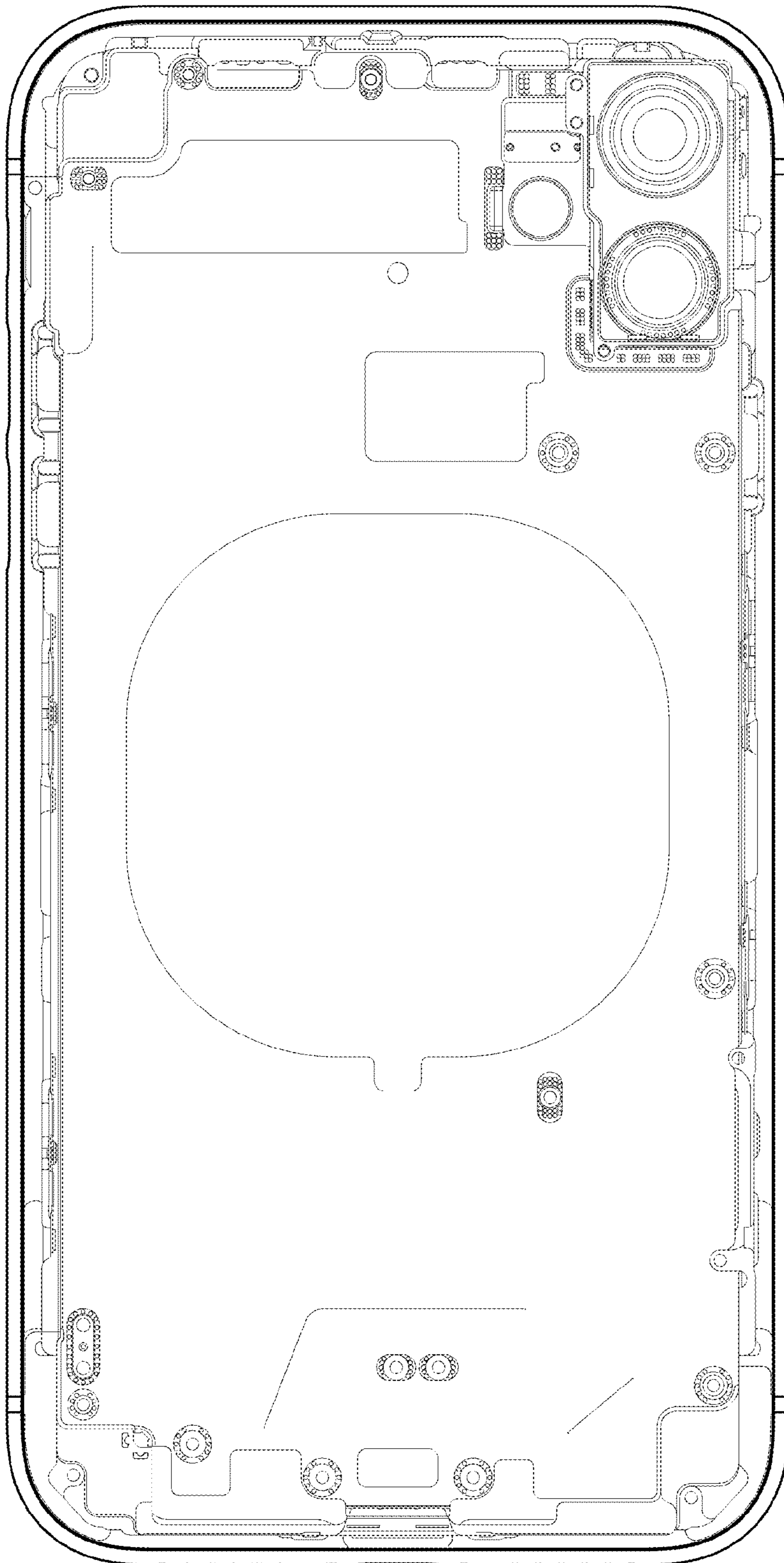


FIG. 3

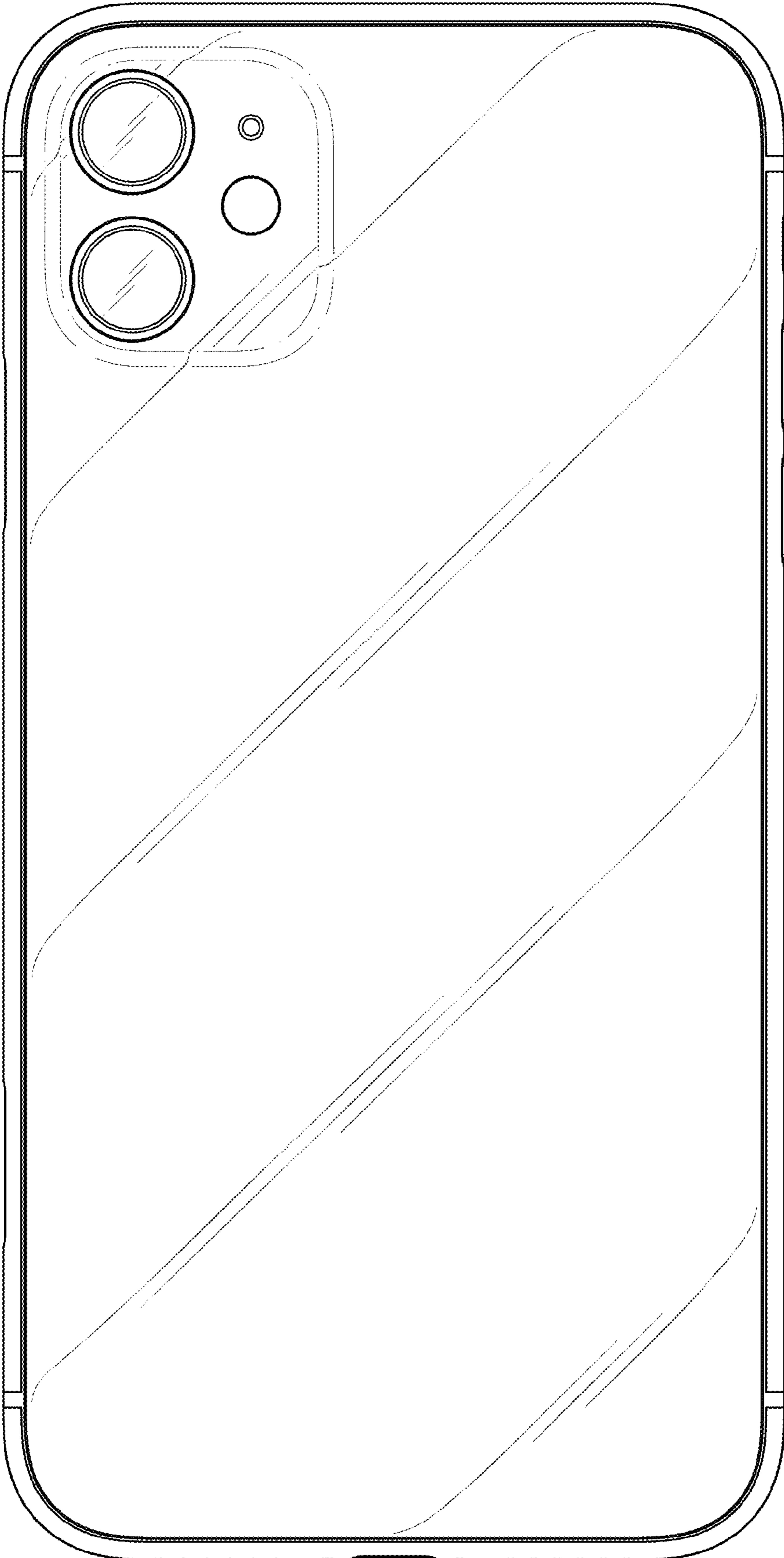


FIG. 4

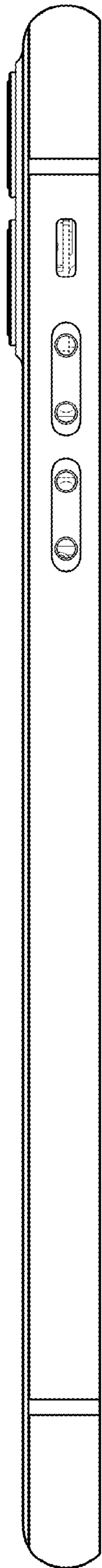


FIG. 5

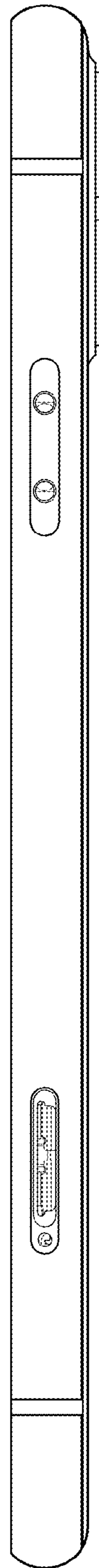


FIG. 6



FIG. 7

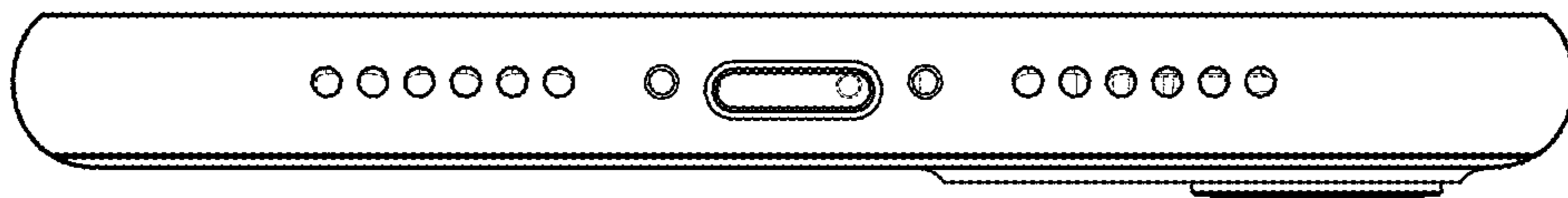


FIG. 8

UNITED STATES PATENT AND TRADEMARK OFFICE
CERTIFICATE OF CORRECTION

PATENT NO. : D896,232 S
APPLICATION NO. : 29/691313
DATED : September 15, 2020
INVENTOR(S) : Akana et al.

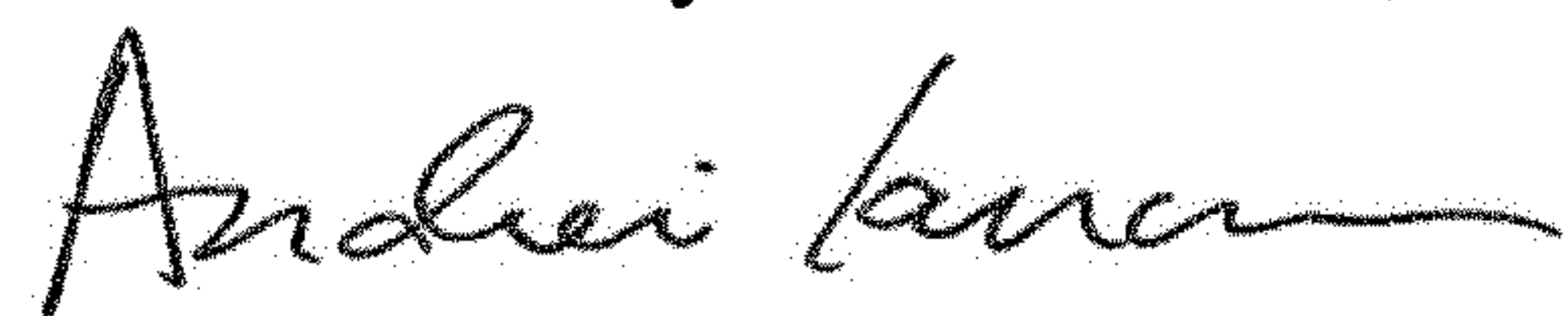
Page 1 of 1

It is certified that error appears in the above-identified patent and that said Letters Patent is hereby corrected as shown below:

On the Title Page

Page 2, Column 2, Lines 56-58 In the Description section, delete the following paragraph:
“The broken lines in the figures show portions of the housing module for an electronic device that form no part of the claimed design.”

Signed and Sealed this
Seventeenth Day of November, 2020



Andrei Iancu
Director of the United States Patent and Trademark Office