



US00D896224S

(12) **United States Design Patent** (10) **Patent No.:** **US D896,224 S**
Sieckowski et al. (45) **Date of Patent:** **** Sep. 15, 2020**

(54) **DATA CAPTURE DEVICE**

(71) Applicant: **SYMBOL TECHNOLOGIES, LLC**,
Holtsville, NY (US)

(72) Inventors: **Steven D. Sieckowski**, Port Jefferson,
NY (US); **Roland Wing Fai Lee**,
Jericho, NY (US); **Ian R. Jenkins**,
Stony Brook, NY (US)

(73) Assignee: **Symbol Technologies, LLC**, Holtsville,
NY (US)

(**) Term: **15 Years**

(21) Appl. No.: **29/730,288**

(22) Filed: **Apr. 2, 2020**

Related U.S. Application Data

(63) Continuation of application No. 29/636,305, filed on
Feb. 7, 2018, now Pat. No. Des. 883,287.

(51) **LOC (12) Cl.** **14-02**

(52) **U.S. Cl.**
USPC **D14/428**

(58) **Field of Classification Search**

USPC D14/420, 426-430, 453, 346, 341, 347,
D14/412, 138 R, 138 AA, 138 C;
D13/107, 184; 358/473; 235/462.43,
235/462.45, 462.47, 462.48, 462.44,
235/462.46, 487, 472.01, 472.02, 145 A,
235/145 R, 385, 440, 383, 454, 462.01;
D10/78, 46, 70, 75, 80; 324/426;
D3/273; 710/73; D18/7; 361/679, 728,
361/679.56, 679.55, 679.59; 382/313,
382/321; 455/575.1, 561, 572, 557, 349,
455/556.1, 556.2, 90.3; 345/156, 168,
345/169, 172, 173, 87; 705/17, 18,
705/22-25; 343/872, 846, 700 MS
CPC G06F 1/626; G06F 1/1626; G06F 1/1656;
G06F 1/1632; G06F 1/1684; G06F
1/1635; G06F 8/63; G06F 17/30091;
G06F 9/4401; G06K 7/10881; G06K

7/1098; G06K 7/10722; G06K 7/1404;
G06K 7/0004; G06K 7/10633; G06K
7/10851; G06K 7/1091; G06K 7/1092;
G06K 7/1093; G06K 7/10; G06K 7/109;
G06K 7/1417; G06K 9/228; G06K
17/0022; G06K 17/00; G06K 2207/1011;
G06K 2207/1013; G06K 2207/1016;
G06K 2207/1018; G06K 2017/0051;
G06K 2017/0067; G06K 2007/10524;
G06K 7/1095; G06K 7/089;

(Continued)

(56) **References Cited**

U.S. PATENT DOCUMENTS

D299,028 S * 12/1988 Hermann D10/31
D299,463 S * 1/1989 Hermann D10/31
(Continued)

Primary Examiner — Susan Moon Lee

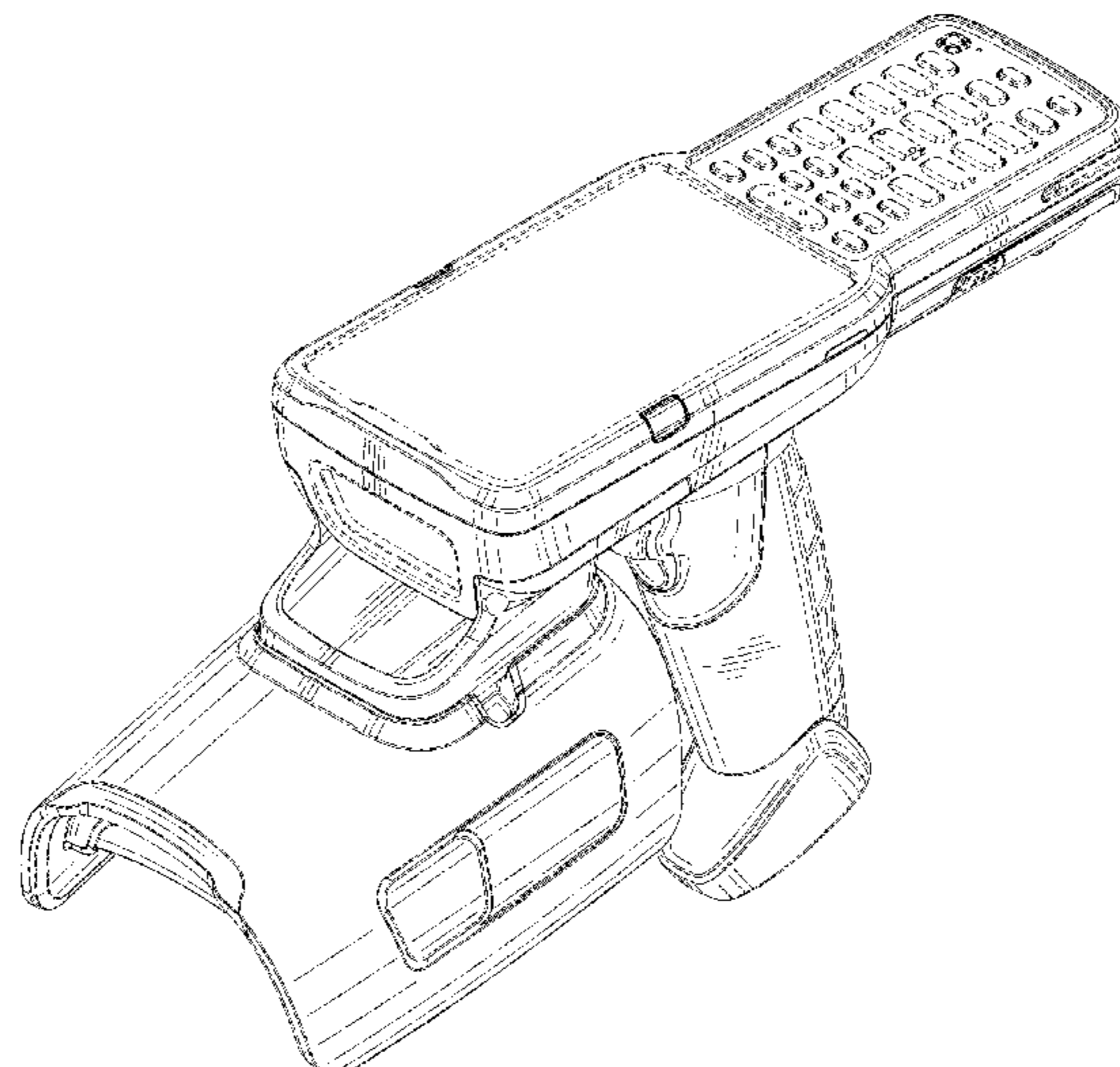
(57) **CLAIM**

We claim the ornamental design for a data capture device, as
shown and described.

DESCRIPTION

FIG. 1 is a rear perspective view of an example data capture
device;
FIG. 2 is a bottom perspective view thereof;
FIG. 3 is a front perspective view thereof;
FIG. 4 is a first side view thereof;
FIG. 5 is a second side view thereof;
FIG. 6 is a top view thereof;
FIG. 7 is a bottom view thereof;
FIG. 8 is a front view thereof; and,
FIG. 9 is a rear view thereof.
Broken lines and unshaded portions contained within broken
lines depict portions of the data capture device that form no
part of the claimed design but are shown for illustrative
purposes.

1 Claim, 9 Drawing Sheets



(58) **Field of Classification Search**

CPC .. G06K 7/10821; G07G 1/0081; G07G 1/009;
 G06Q 20/20; G06Q 20/201; G06Q
 20/202; G06Q 20/203; G06Q 20/30;
 G06Q 20/32; G06Q 20/322; G06Q
 20/4014; G06Q 10/087; H04N 1/00127;
 H04N 1/00135; H04N 1/00326; H04N
 1/00334; H04N 1/00307; H04N 1/107;
 H04N 2201/0084; H04N 2101/00; H04M
 1/0249; H04M 1/0262; H04M 1/0266;
 H04M 1/18; H04M 1/23; H04M 1/236;
 H04B 1/3827; H04B 1/3833; H04B
 1/3877; H04B 1/3883; H04B 1/3888;
 H04B 2001/3894; H01M 2/1066; H01Q
 1/42; H01Q 1/2216; H01Q 1/20; H01Q
 1/22; H01Q 1/2208; H01Q 1/2258; H01Q
 1/241; H01Q 1/242; H01Q 1/244; H01Q
 1/27; H01Q 1/273; H01Q 9/16; H01Q
 9/285; H01Q 19/28; Y10T 29/49016

See application file for complete search history.

(56) **References Cited**

U.S. PATENT DOCUMENTS

D377,345 S * 1/1997 Karlin 14/2
 D377,348 S * 1/1997 Karlin 14/2
 5,610,386 A * 3/1997 Ball G06K 7/10891
 235/412
 5,610,387 A * 3/1997 Bard G04B 47/00
 235/462.44
 5,808,289 A * 9/1998 Becker G06K 7/10891
 235/462.01
 5,969,327 A * 10/1999 Metlitsky G06K 7/10564
 235/462.44
 D512,427 S * 12/2005 Choi D14/428
 7,051,943 B2 * 5/2006 Leone G08B 13/1427
 235/462.45

D539,294 S * 3/2007 Croley D14/453
 D540,333 S * 4/2007 Croley D14/453
 D544,485 S * 6/2007 Chen D14/428
 D554,641 S * 11/2007 Miller D14/427
 D558,768 S * 1/2008 Jenkins D14/428
 D654,597 S * 2/2012 Hiramura D24/186
 9,444,145 B2 * 9/2016 Chan H01Q 9/285
 9,692,114 B2 * 6/2017 Zhao H01Q 1/42
 D832,844 S * 11/2018 Lim D14/427
 D833,438 S * 11/2018 Lim D14/427
 D840,377 S * 2/2019 Jin D14/217
 D865,773 S * 11/2019 Oberpriller D14/453
 10,509,927 B2 * 12/2019 Dagdelen Uysal
 G06K 7/10079
 D883,287 S * 5/2020 Sieckowski D14/428
 2008/0054039 A1 * 3/2008 Wulff A45F 5/00
 224/575
 2008/0078837 A1 * 4/2008 Morris G06K 7/10891
 235/462.44
 2008/0078838 A1 * 4/2008 Morris G06K 7/10891
 235/462.44
 2008/0197195 A1 * 8/2008 Miller G06K 7/10396
 235/440
 2009/0266898 A1 * 10/2009 Miller G06K 7/1413
 235/472.01
 2009/0312053 A1 * 12/2009 An G06K 7/10326
 455/556.2
 2010/0170952 A1 * 7/2010 Mangaroo G06K 7/10881
 235/462.45
 2010/0176166 A1 * 7/2010 Siagri A44C 5/0007
 224/271
 2012/0187192 A1 * 7/2012 Lee G06K 7/10891
 235/462.44
 2012/0228384 A1 * 9/2012 Boyd G06K 7/1098
 235/472.01
 2013/0154809 A1 * 6/2013 Subramanian G06K 7/0008
 340/10.42
 2018/0167549 A1 * 6/2018 Lim G06K 7/10554
 2018/0225489 A1 * 8/2018 Liou G06K 7/10544

* cited by examiner

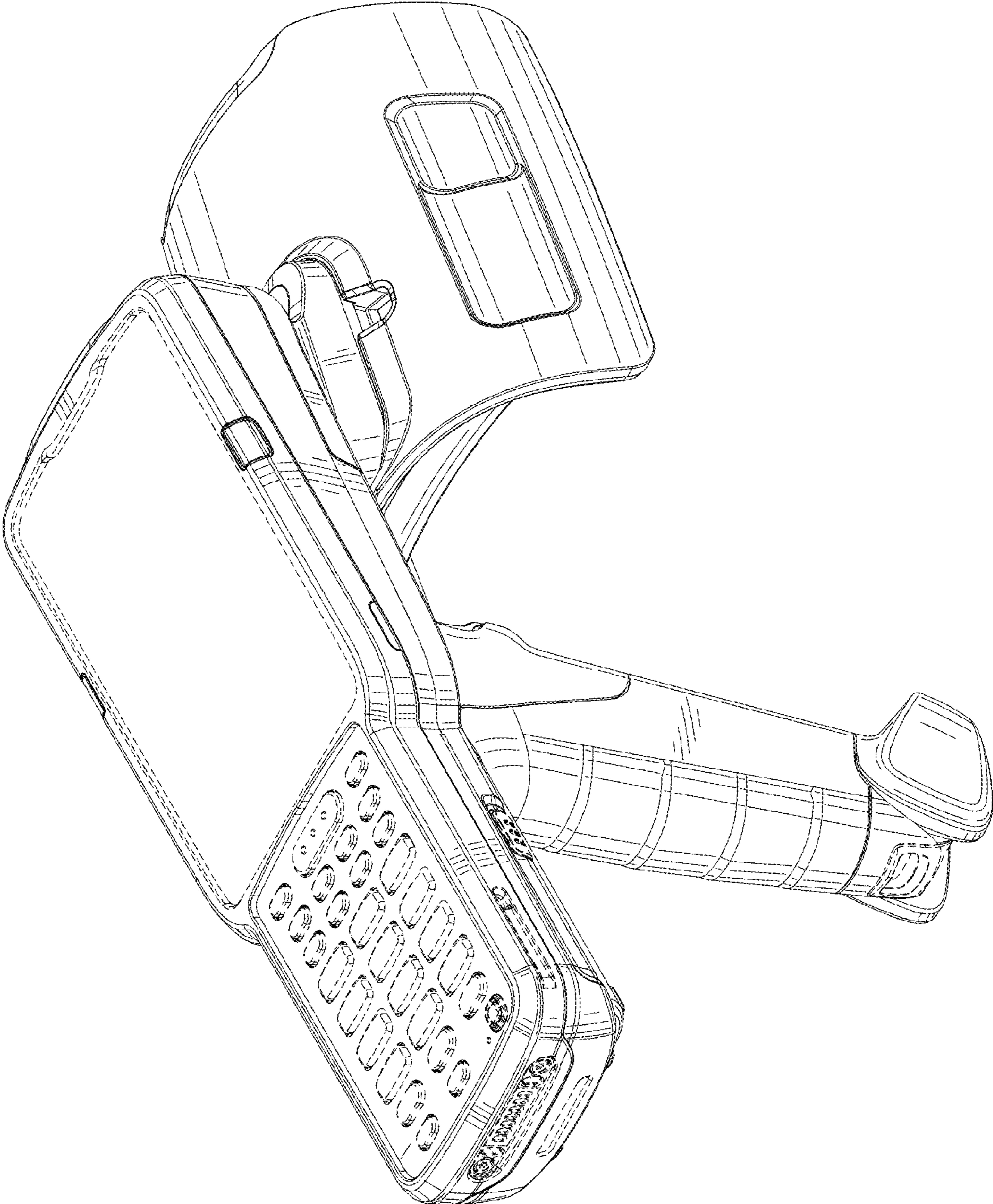


FIG. 1

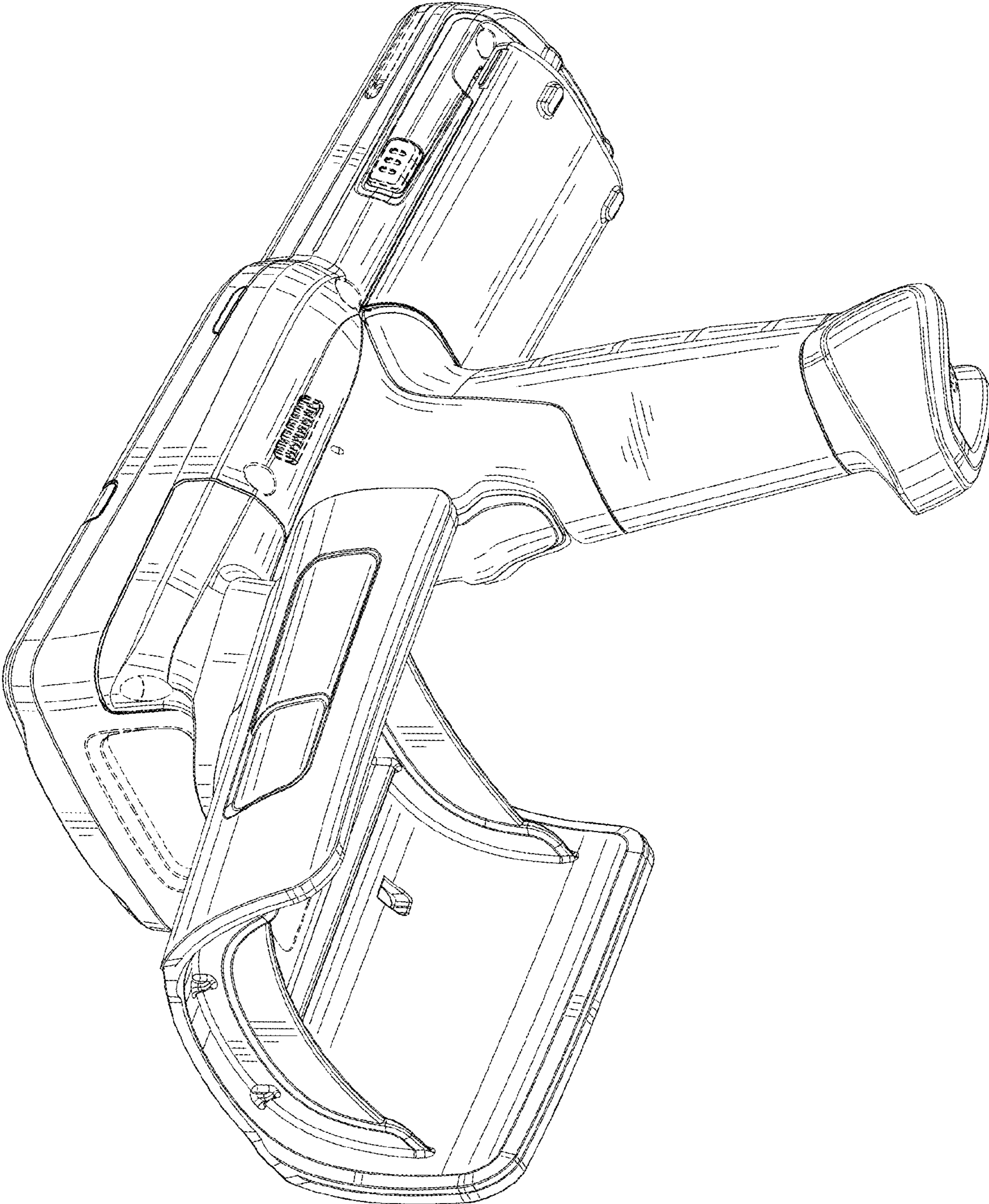


FIG. 2

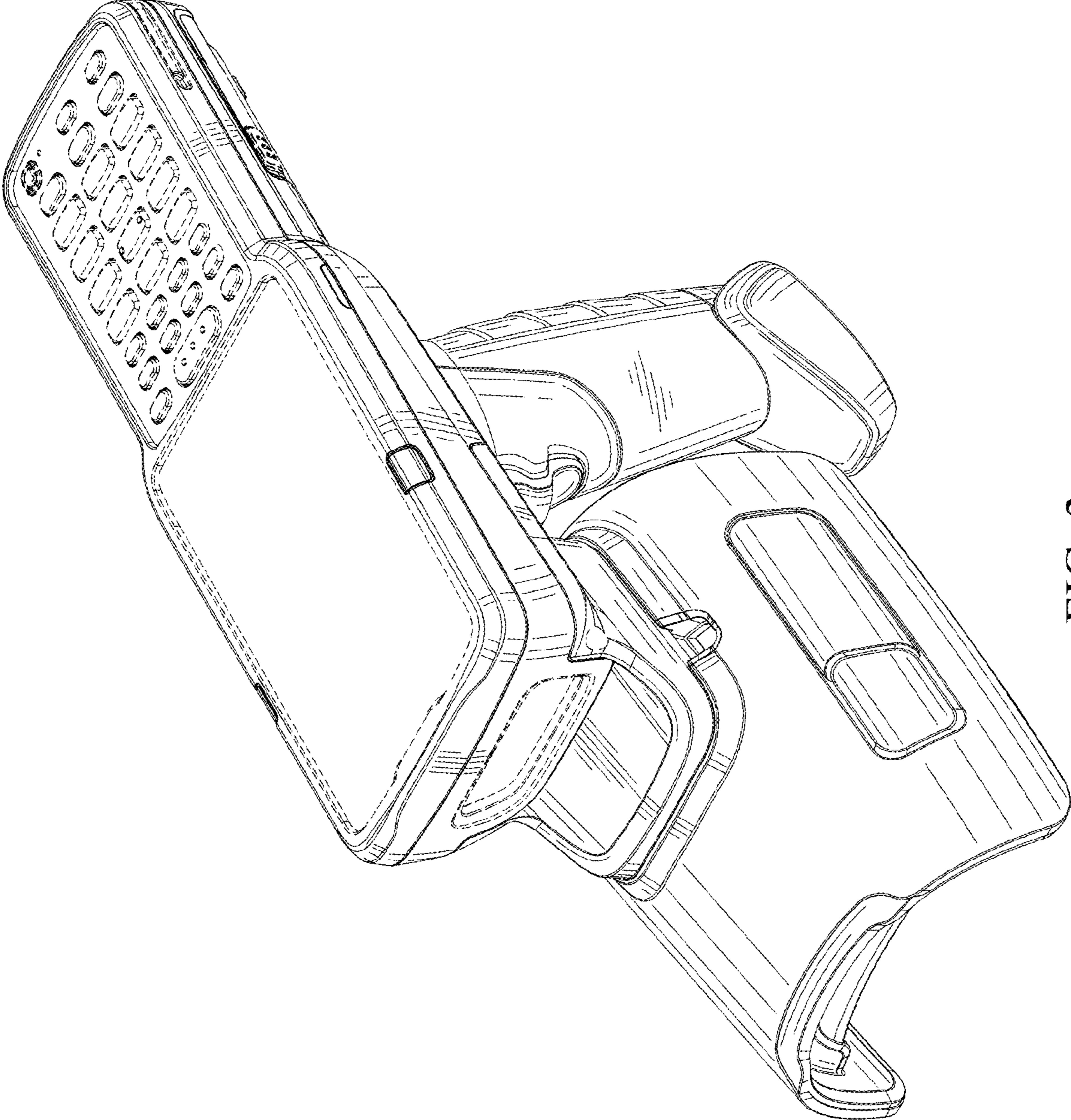


FIG. 3

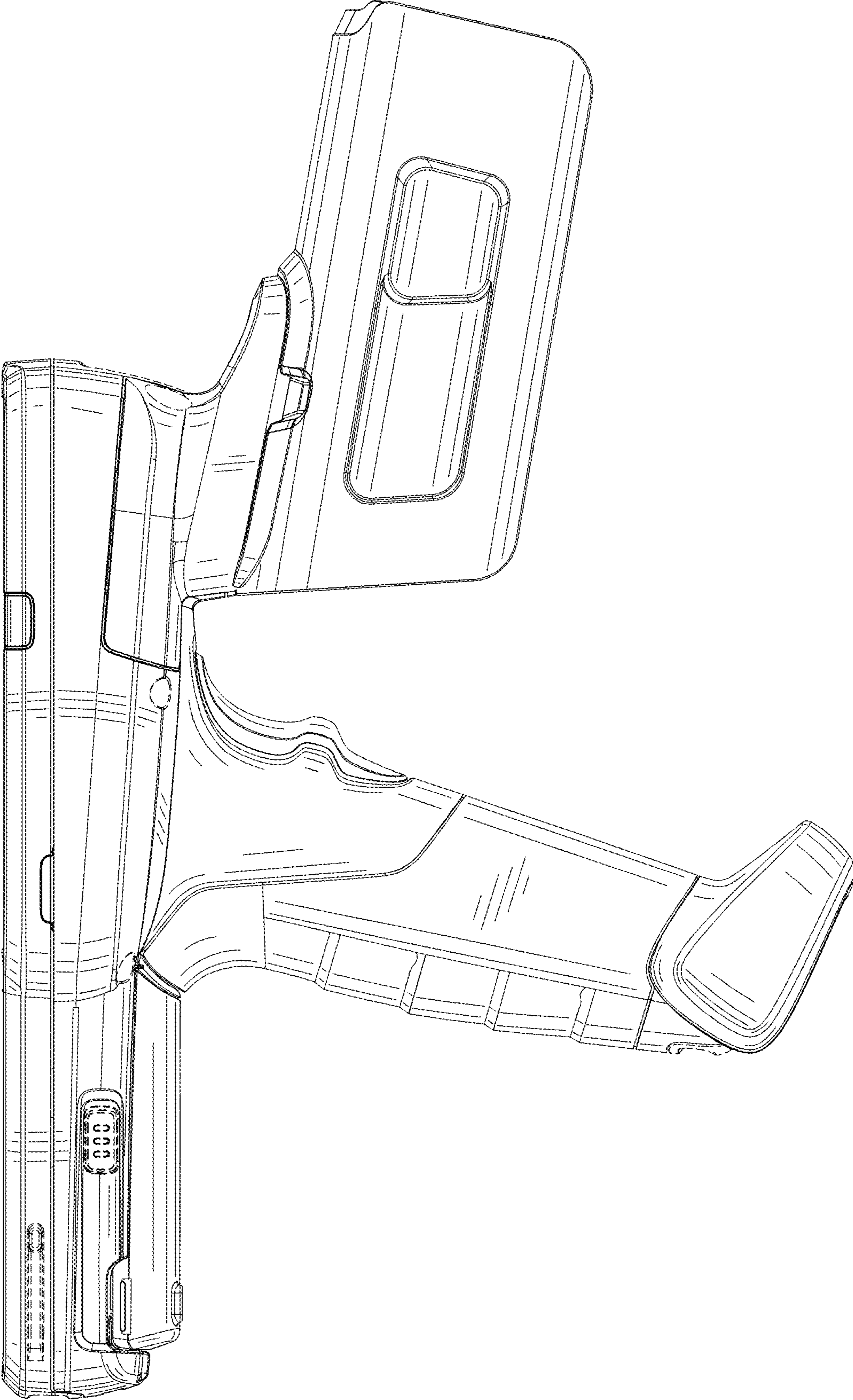


FIG. 4

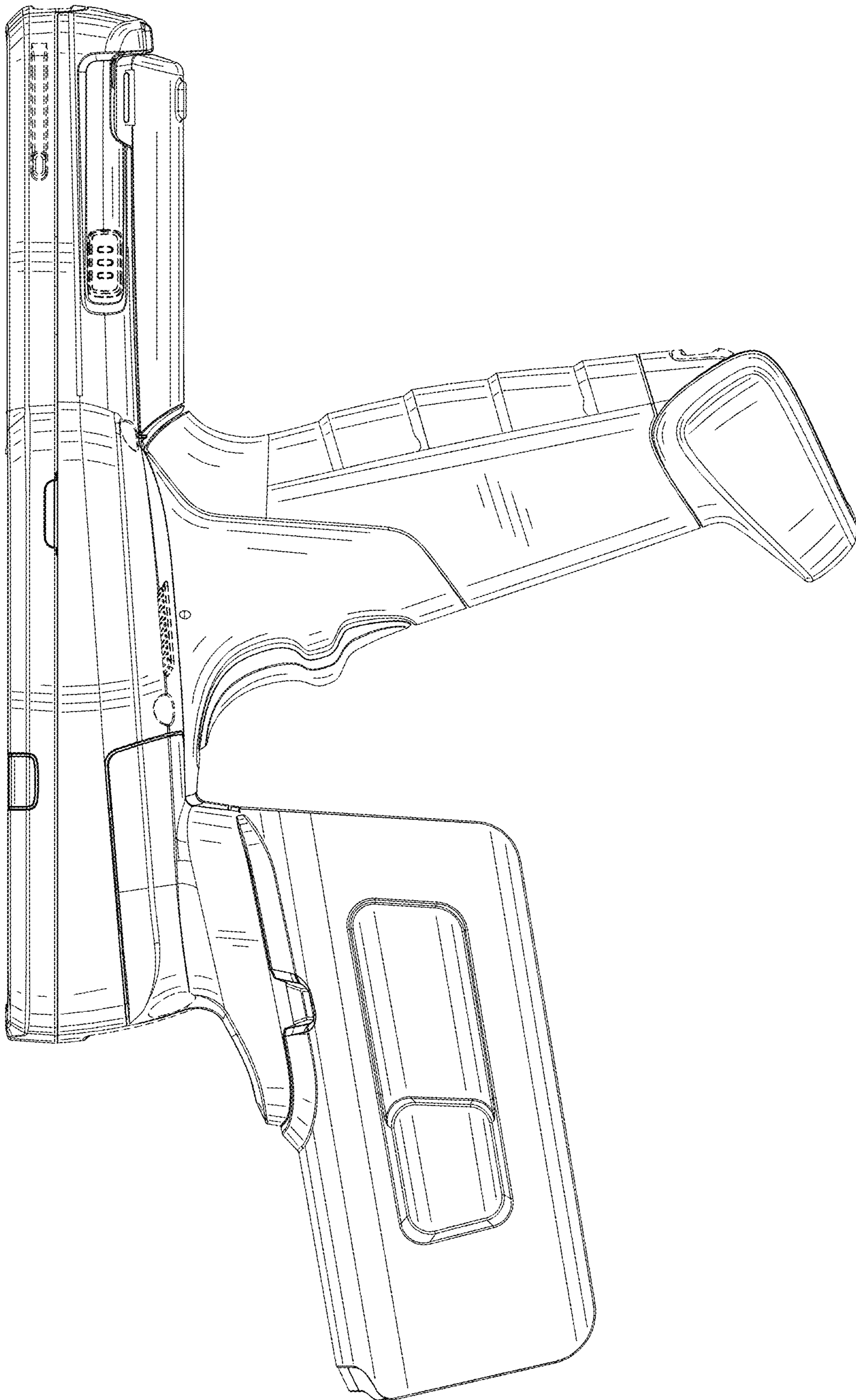


FIG. 5

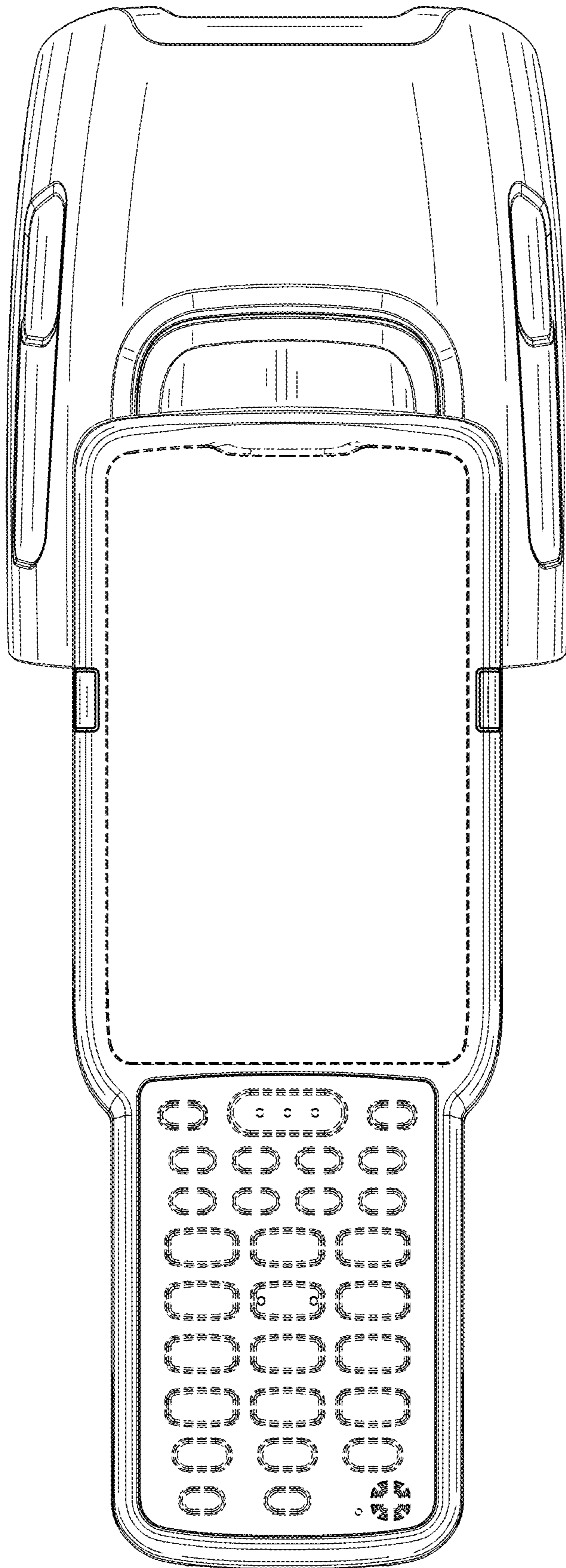


FIG. 6

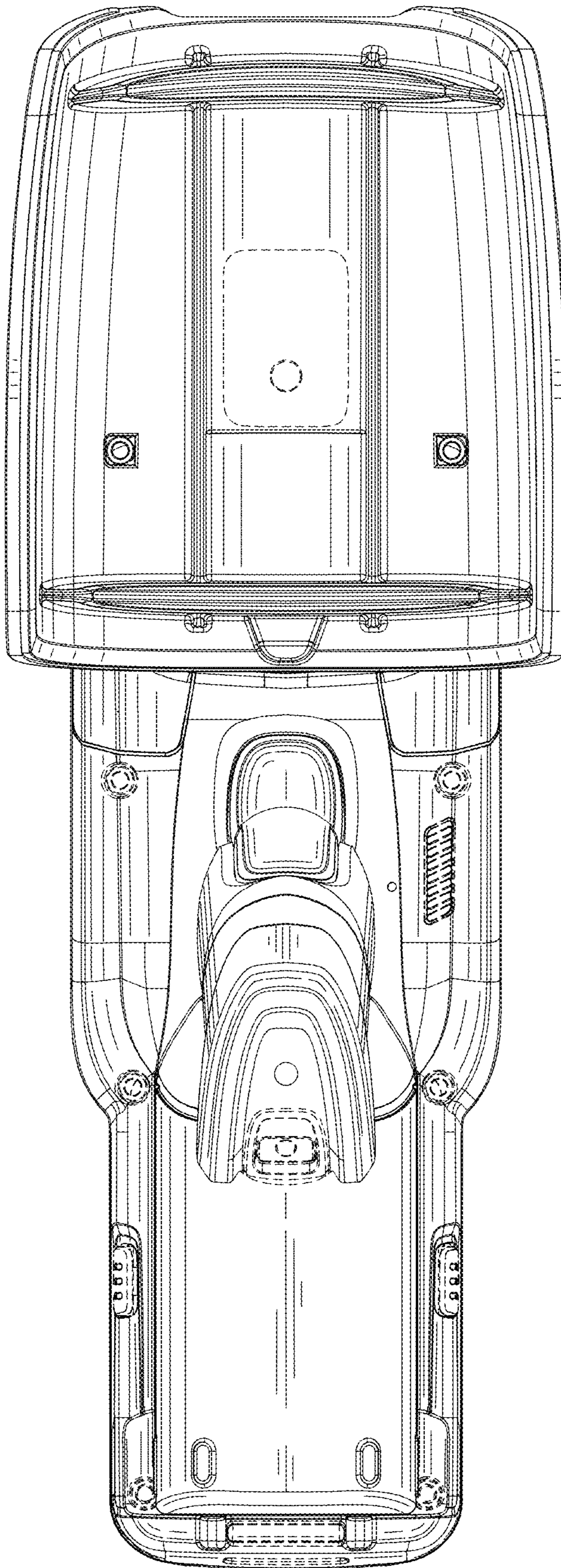


FIG. 7

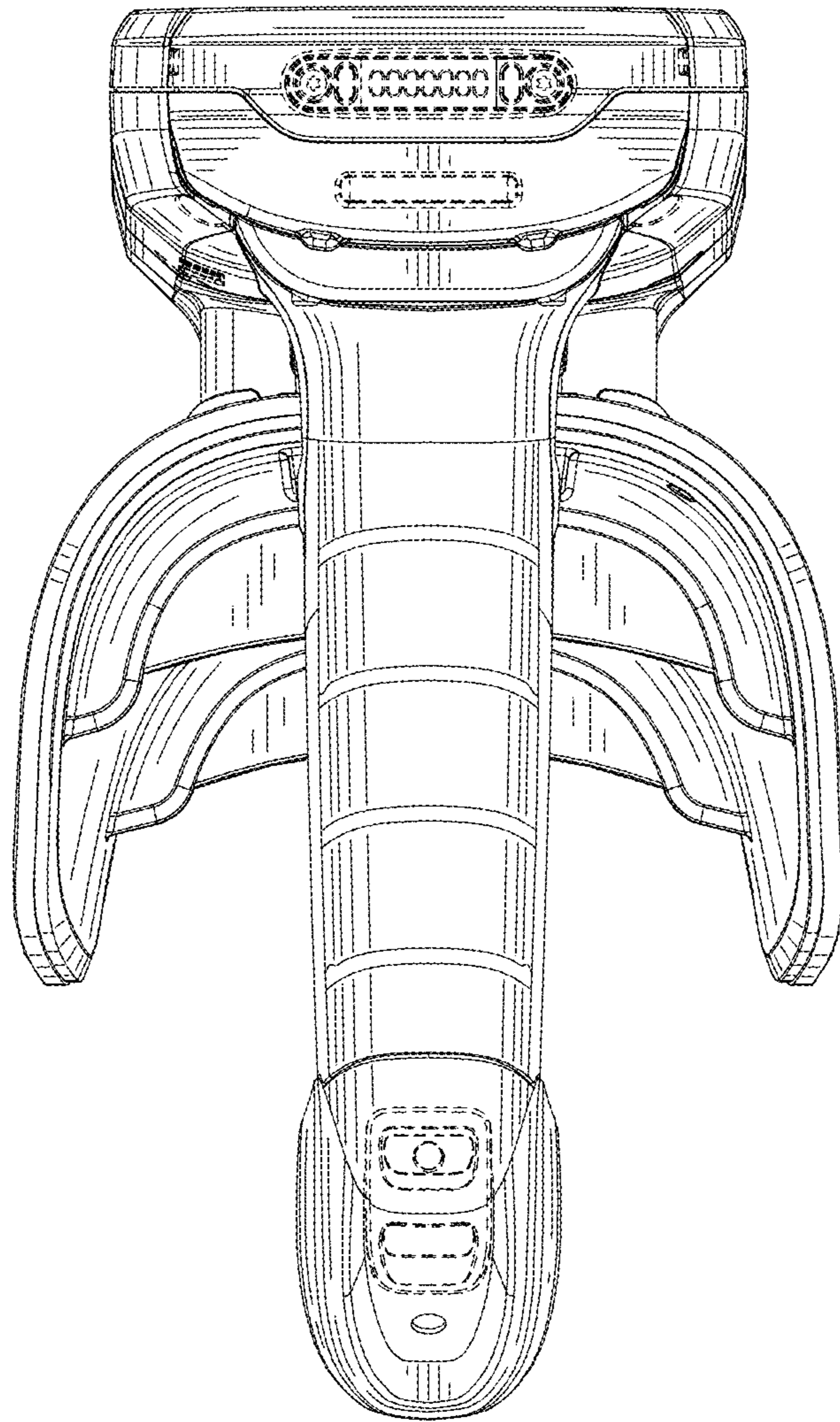


FIG. 8

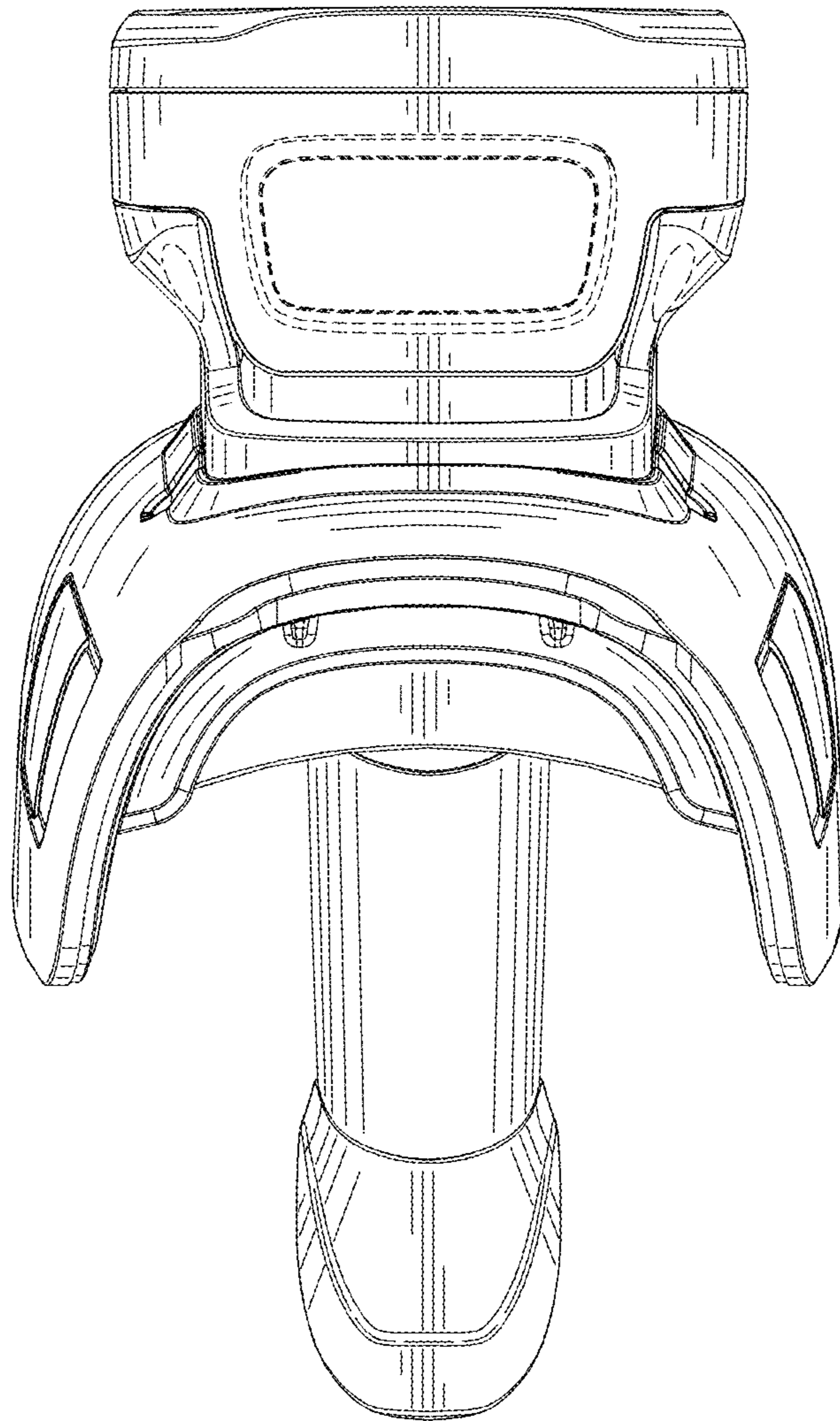


FIG. 9