



US00D896221S

(12) **United States Design Patent**  
**Lee et al.**

(10) **Patent No.:** **US D896,221 S**  
(45) **Date of Patent:** **\*\* Sep. 15, 2020**

(54) **HEAD-MOUNTED DISPLAY DEVICE**

(71) Applicant: **Samsung Electronics Co., Ltd.**,  
Suwon-si (KR)

(72) Inventors: **Se O Lee**, Yongin-si (KR); **Myungkyu Kim**, Seoul (KR); **Minki Ham**, Seoul (KR)

(73) Assignee: **Samsung Electronics Co., Ltd.**,  
Suwon-si (KR)

(\*\*) Term: **15 Years**

(21) Appl. No.: **29/660,871**

(22) Filed: **Aug. 23, 2018**

(30) **Foreign Application Priority Data**

Feb. 26, 2018 (KR) ..... 30-2018-0009444

(51) **LOC (12) Cl.** ..... **14-02**

(52) **U.S. Cl.**  
USPC ..... **D14/372**

(58) **Field of Classification Search**  
USPC ..... D14/372, 496, 432, 371, 125, 126, 129,  
D14/299; D16/300–342; 351/158, 153,  
351/144; 345/7–9, 905; 455/344;  
348/115, 53, 121, 739  
CPC ..... G02B 27/017; G02B 27/0158; G02B  
27/0161; G02B 27/0181; G02B 27/0185;  
G02B 27/0189  
See application file for complete search history.

(56) **References Cited**

**U.S. PATENT DOCUMENTS**

D810,743 S 2/2018 Yee et al.  
D838,718 S \* 1/2019 Chiang ..... D14/372  
D839,269 S \* 1/2019 Wang ..... D14/372  
D840,399 S \* 2/2019 Miller ..... D14/372  
D858,521 S \* 9/2019 Neil ..... D14/372  
D860,199 S \* 9/2019 McGinty, Jr. .... D14/372

D861,680 S \* 10/2019 Chou ..... D14/372  
D865,763 S \* 11/2019 Lau ..... D14/372  
D865,764 S \* 11/2019 Miller ..... D14/372  
D869,464 S \* 12/2019 Chang ..... D14/372

(Continued)

**FOREIGN PATENT DOCUMENTS**

EM 003130319-0001 6/2016  
KR 30-2014-0041204 7/2015

(Continued)

**OTHER PUBLICATIONS**

“Homido V2 VR Headset—Black” [2016] www.bestbuy.com Oct.  
28, 2016 <<https://www.bestbuy.ca/en-ca/product/homido-homido-v2-vr-headset-black-homidov2/10488822.aspx>>.

(Continued)

*Primary Examiner* — Austin Murphy

(74) *Attorney, Agent, or Firm* — NSIP Law

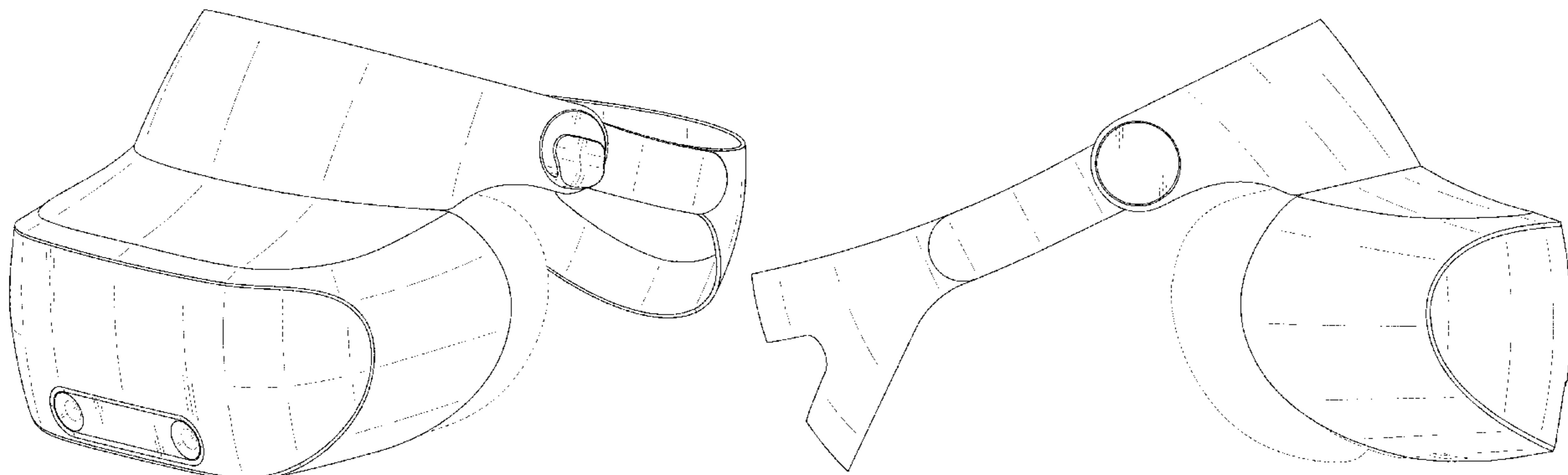
(57) **CLAIM**

We claim the ornamental design for a head-mounted display device, as shown and described.

**DESCRIPTION**

FIG. 1 is a front perspective view of a head-mounted display device showing our new design;  
FIG. 2 is a front view thereof;  
FIG. 3 is a rear view thereof;  
FIG. 4 is a left-side view thereof;  
FIG. 5 is a right-side view thereof;  
FIG. 6 is a top view thereof;  
FIG. 7 is a bottom view thereof;  
FIG. 8 is a top rear perspective view thereof; and,  
FIG. 9 is a bottom rear perspective view thereof.  
The broken lines in the figures depict portions of the head-mounted display device which form no part of the claimed design.

**1 Claim, 9 Drawing Sheets**



(56)

**References Cited**

U.S. PATENT DOCUMENTS

D872,079 S \* 1/2020 Huang ..... D14/372  
D872,082 S \* 1/2020 Denhez ..... D14/372  
D873,825 S \* 1/2020 Lionel ..... D14/372  
D875,093 S \* 2/2020 Park ..... D14/372

FOREIGN PATENT DOCUMENTS

KR 30-2015-0035163 6/2016  
KR 30-2016-0031937 8/2016

OTHER PUBLICATIONS

Cram, Robert "Sony, This is how you Could Present Playstation VR Content" [2016] www.cramgaming.com Feb. 21, 2016 <<http://cramgaming.com/sony-this-is-how-you-could-present-playstation-vr-content-30147/>>.

Hart, Brian "Microsoft Targets Enterprise Virtual Reality with Business Oriented VR Headset." [2014] www.roadtovr.com Apr. 1, 2014 <<https://www.roadtovr.com/microsoft-enterprise-virtual-reality-business-vr-headset/>>.

Eadicicco, Lisa "Samsung's Cheap Virtual Reality Headset Just Got a Little Better" [2016] www.time.com Aug. 1, 2016 <<http://time.com/4432987/new-samsung-gear.>>.

"HYON Virtual Reality Game Movie 3D Glasses All in One VR Headset 5 inch 1080P 90 FOV Support Remote Controller Bluetooth Wifi HDMI TF Card Apps 360 degree View for PC PS4 Xbox Youtube Google Play" [2016] www.virtualrealitytechnologyshop.com Oct. 18, 2016 <<http://www.virtualrealitytechnologyshop.com/hyon-virtual-reality-game-movie-3d-glasses-all-in-one-vr-headset-5-inch-1080p-90-fov-support-remote-controller-bluetooth-wifi-hdmi-tf-card-apps-360-degree-view-for-pc-ps4-xbox-youtube-google-play/>>.

"VR headset without smartphone" [2017] www.popco.net Dec. 4, 2017 <[https://www.popco.net/zboard/view.php?id=dica\\_news&no=14635](https://www.popco.net/zboard/view.php?id=dica_news&no=14635)>.

\* cited by examiner

FIG. 1

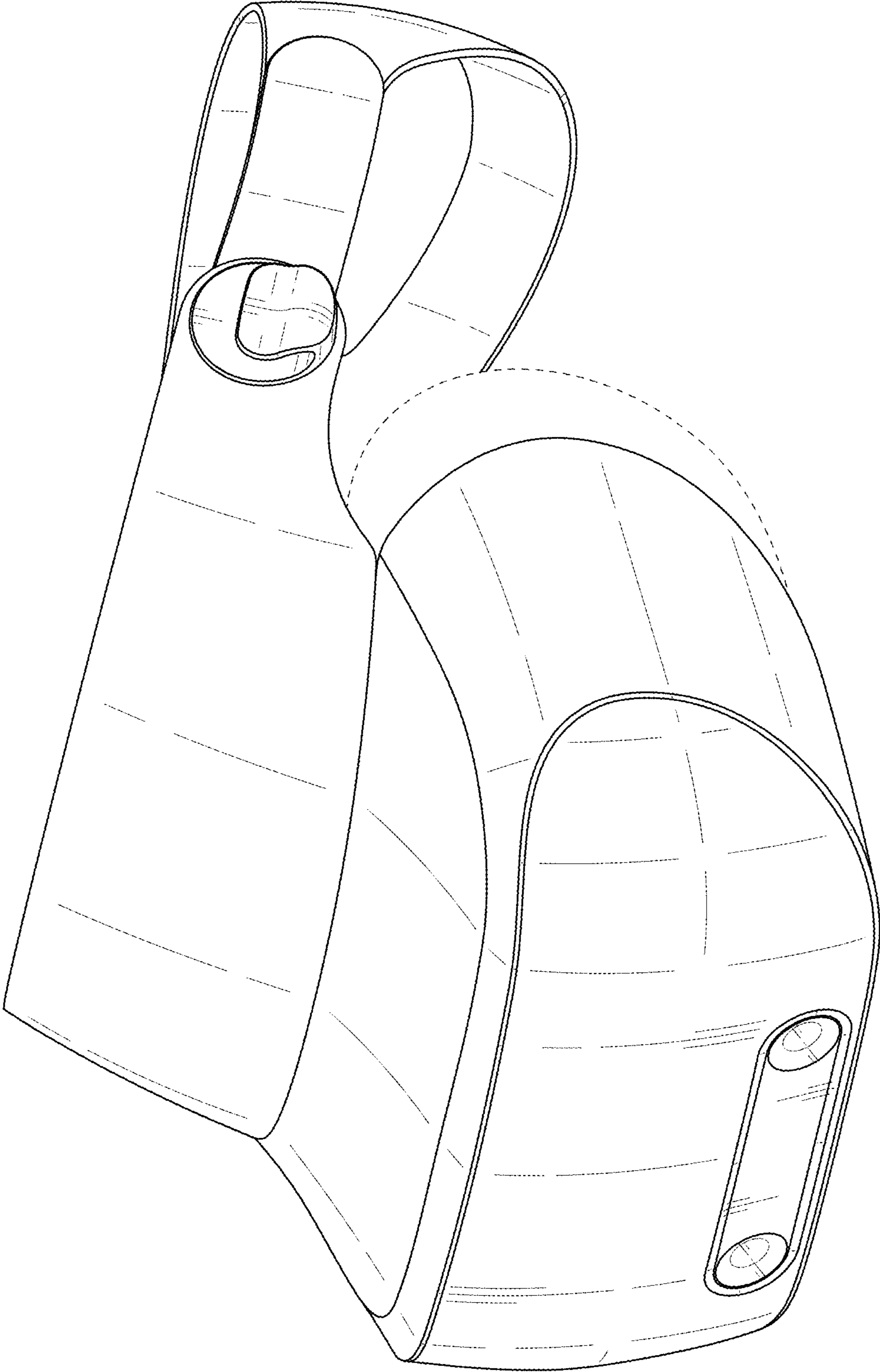


FIG. 2

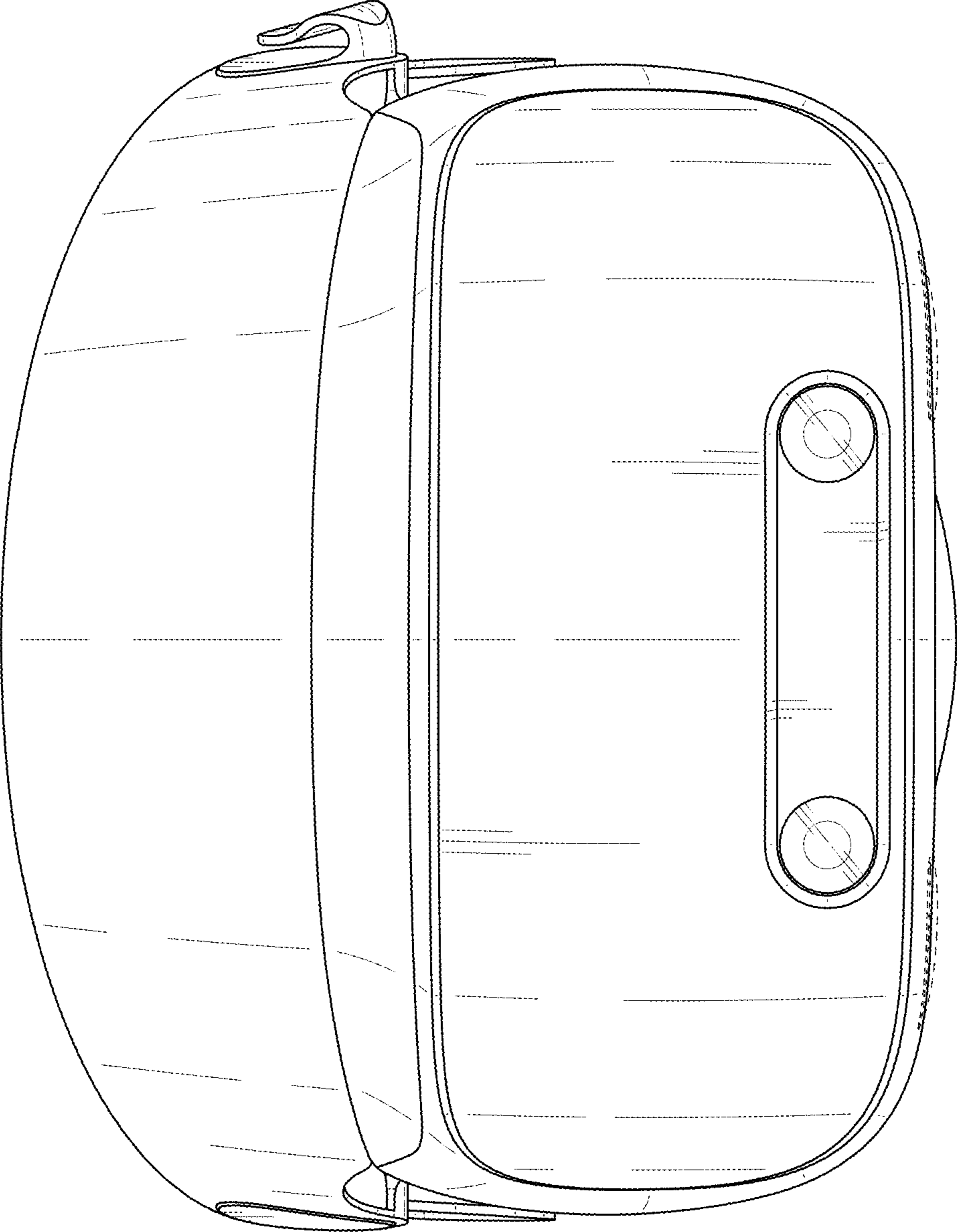




FIG. 3

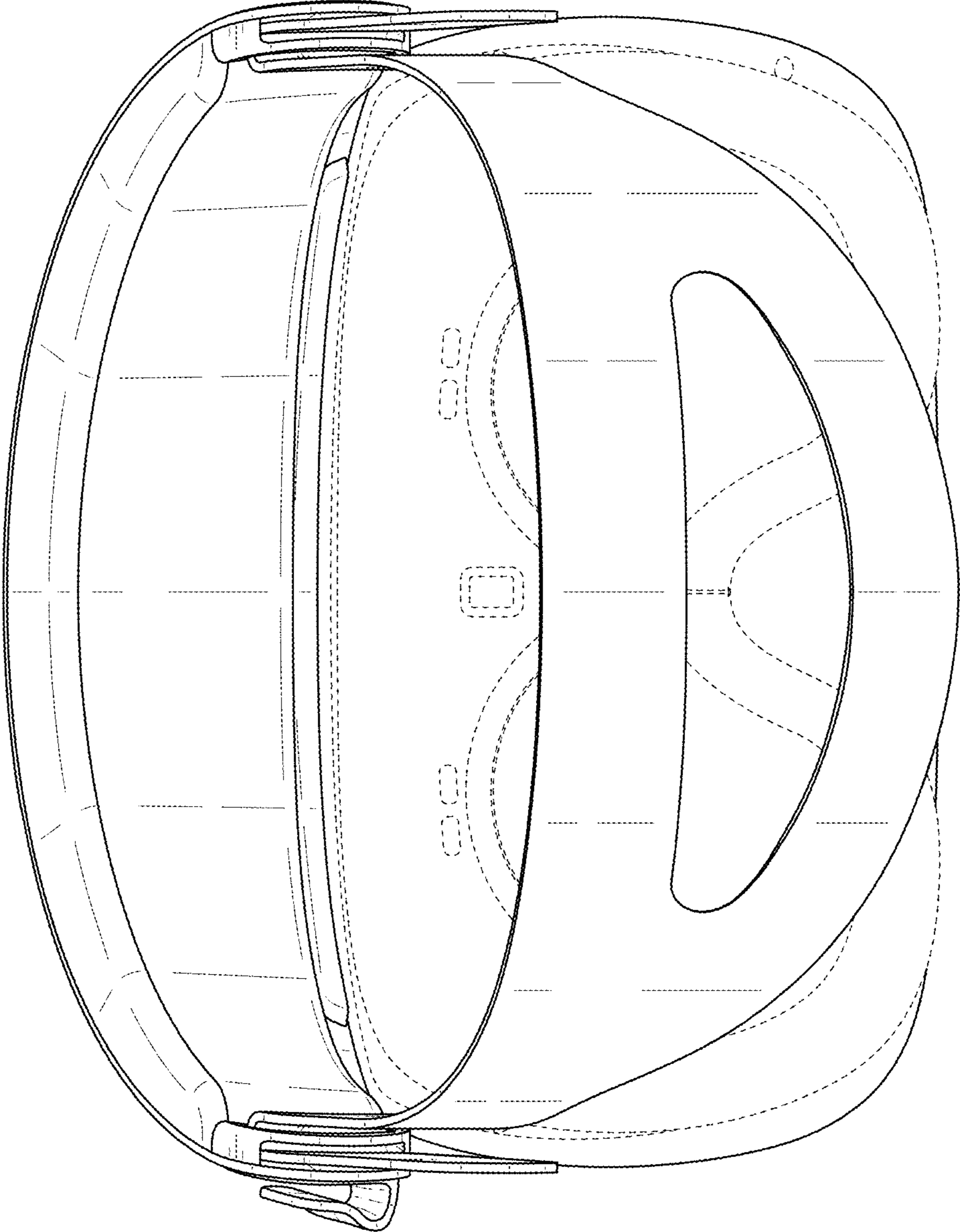


FIG. 4

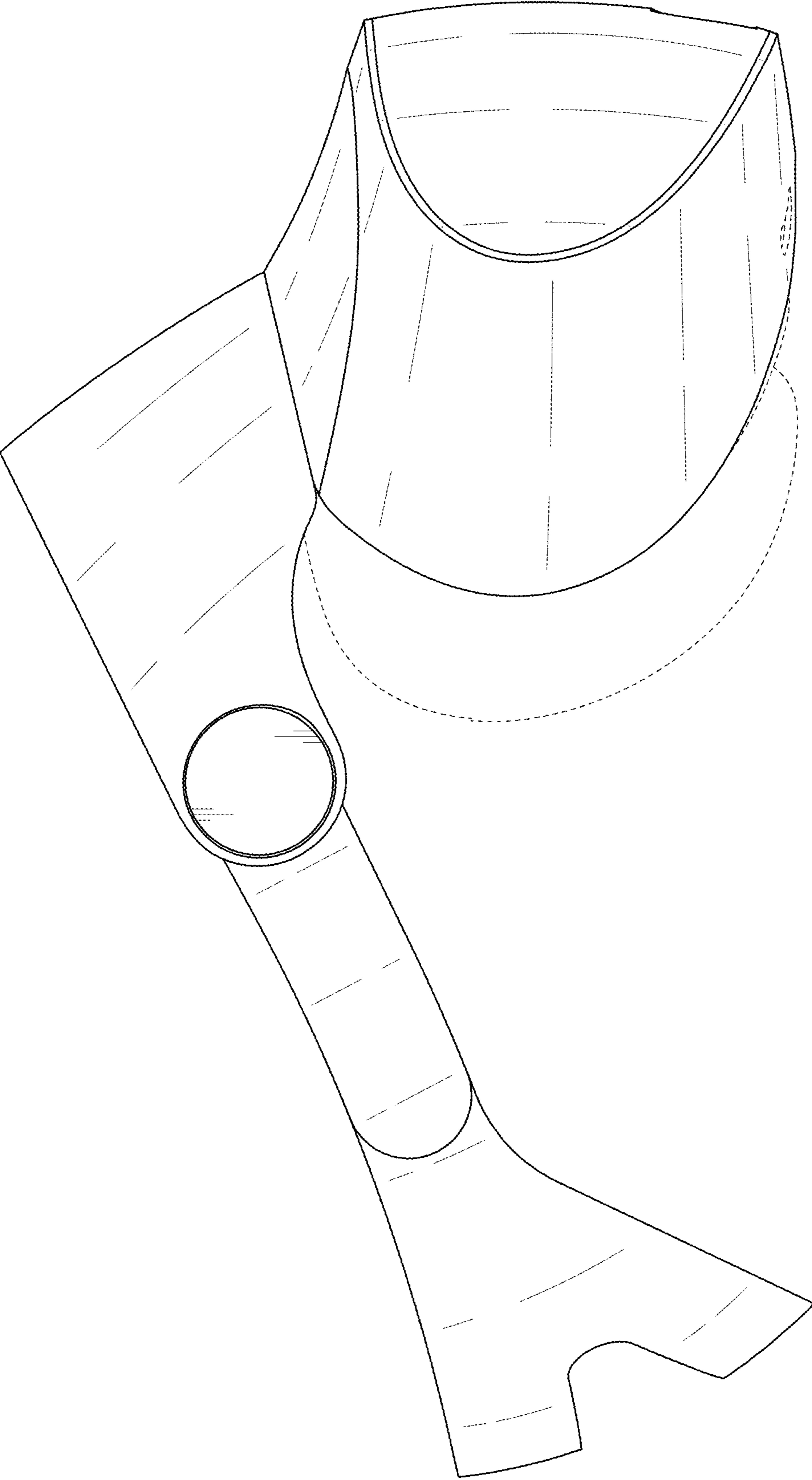


FIG. 5

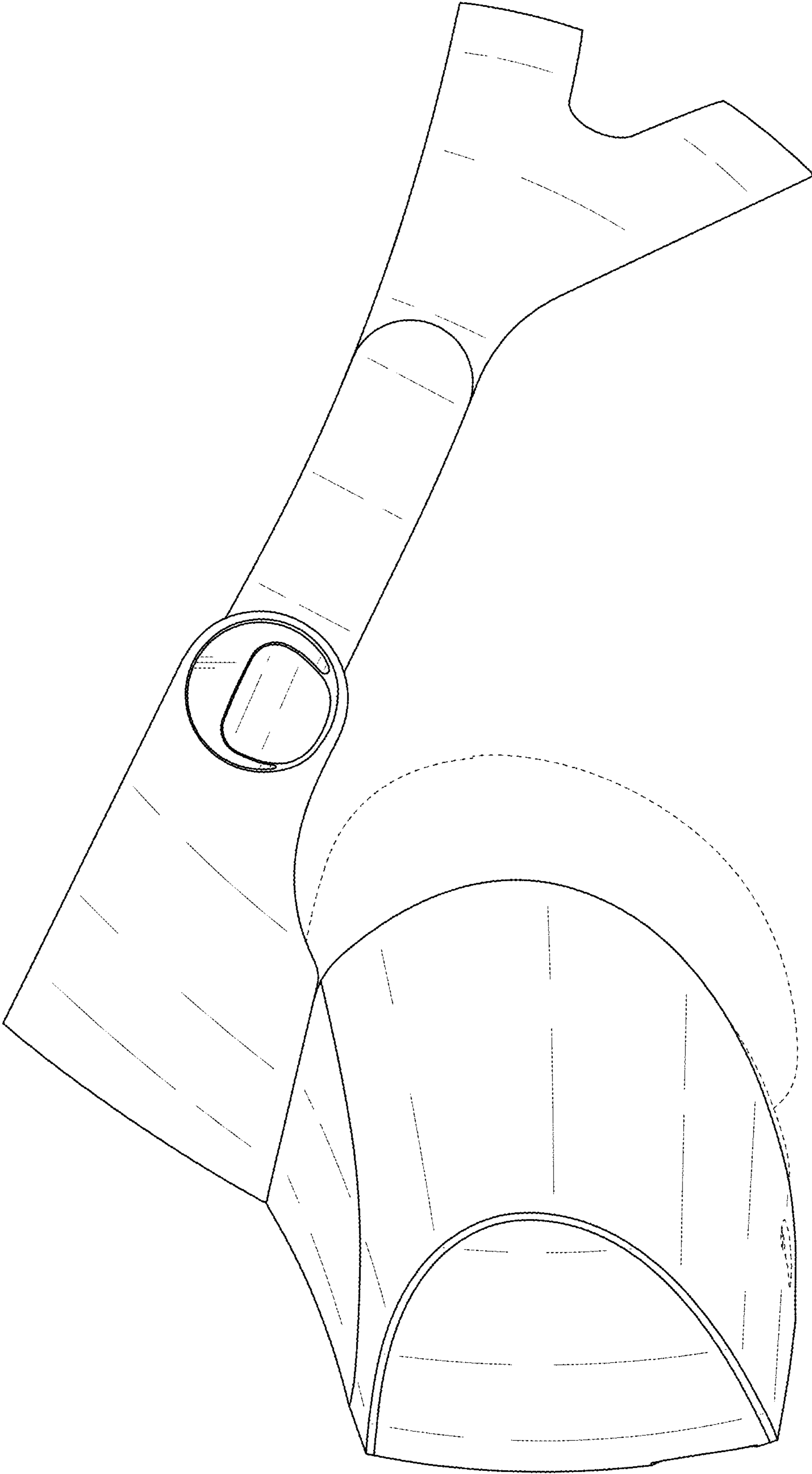


FIG. 6

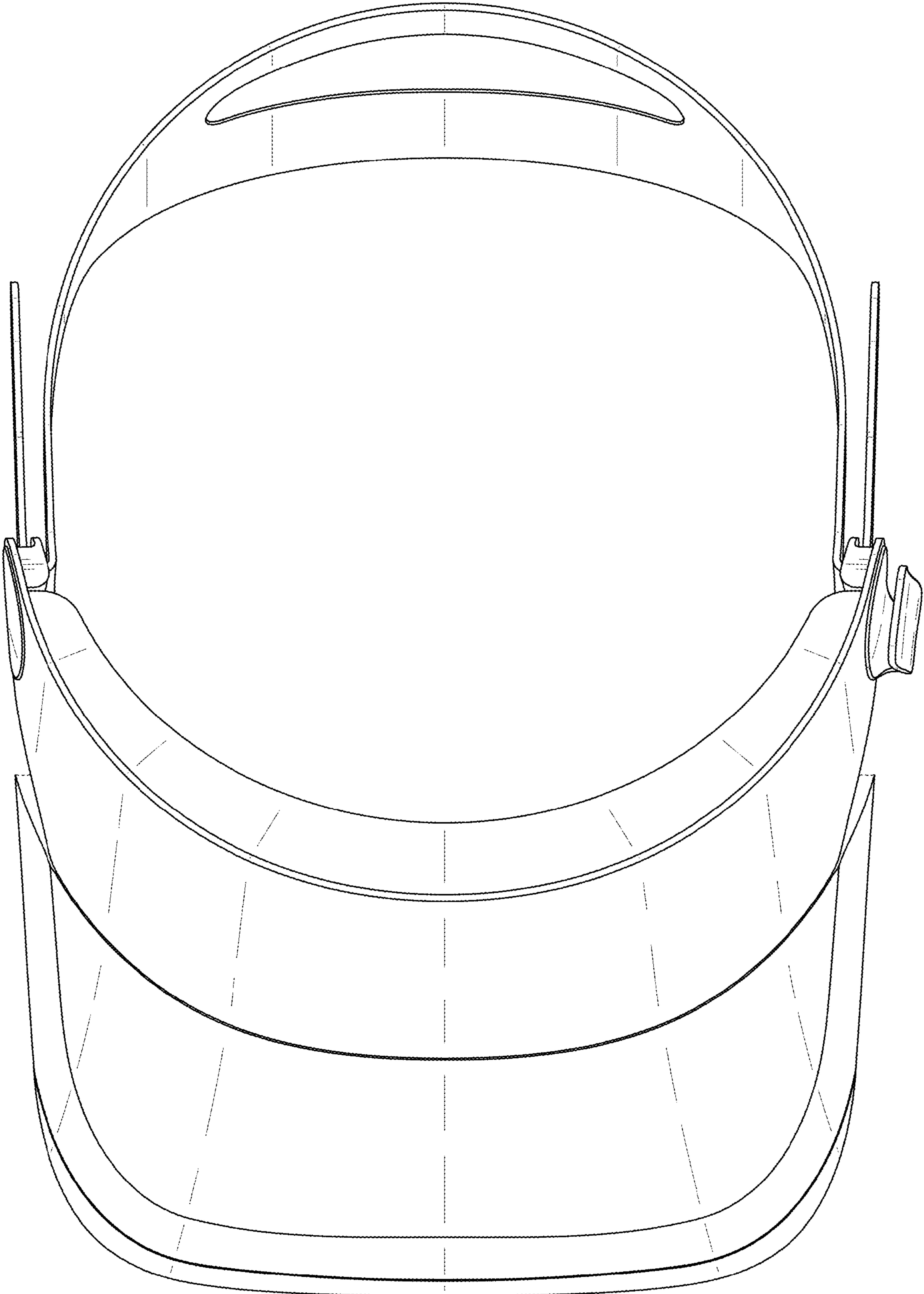
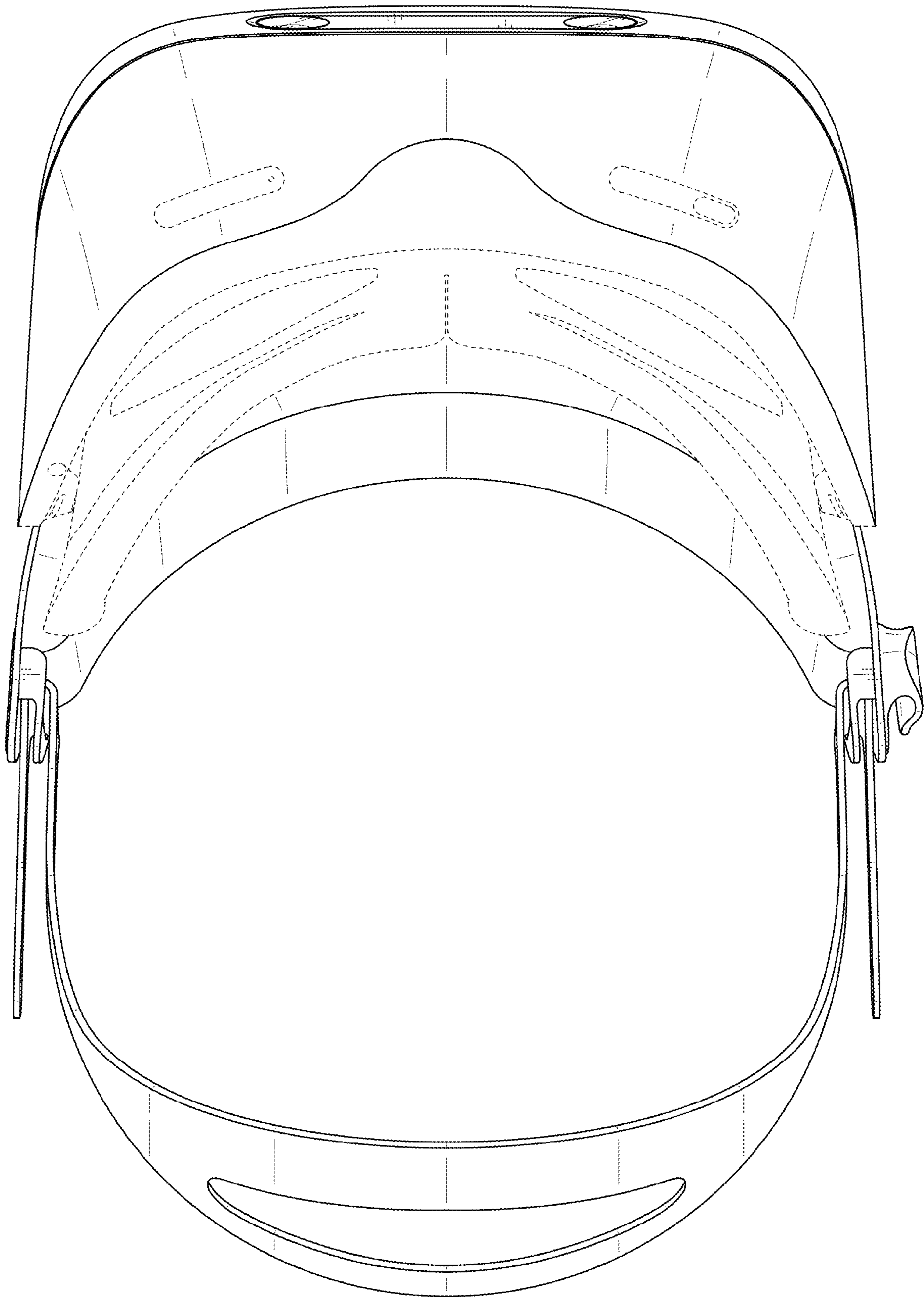




FIG. 7



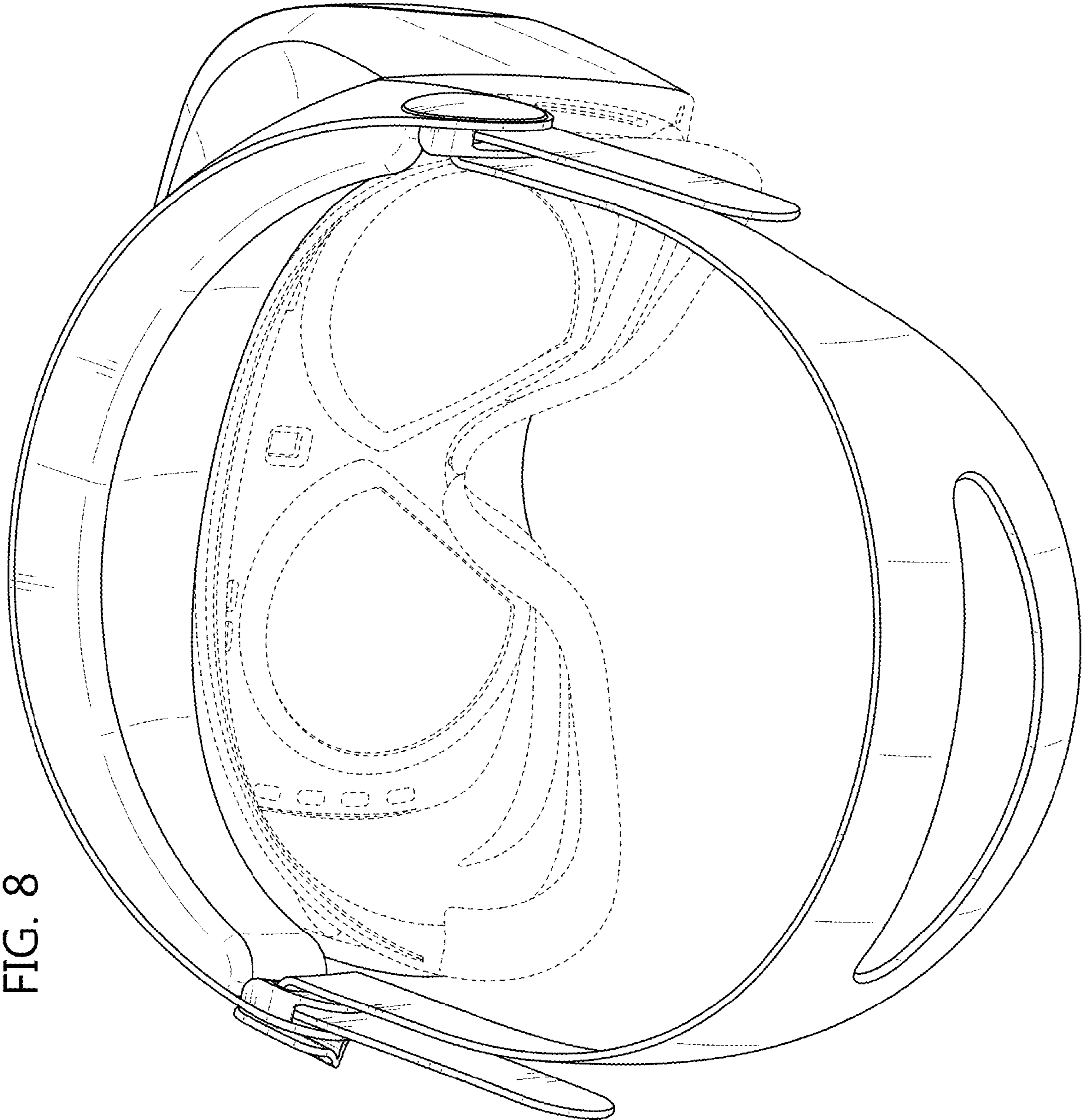


FIG. 8

FIG. 9

