



US00D896217S

(12) **United States Design Patent** (10) **Patent No.:** **US D896,217 S**
Jaggers et al. (45) **Date of Patent:** **** Sep. 15, 2020**

(54) **HOUSING OF AN ELECTRONIC DEVICE**

(56) **References Cited**

(71) Applicant: **Advanced Micro Devices, Inc.**, Santa Clara, CA (US)

U.S. PATENT DOCUMENTS

(72) Inventors: **Christopher Jaggers**, Austin, TX (US); **David McAfee**, Austin, TX (US); **Matthew C. Grossman**, Austin, TX (US); **Christopher Cavello**, Austin, TX (US); **Christopher Janak**, Austin, TX (US); **Steve Capezza**, Austin, TX (US); **Carlos Santillana**, Cedar Park, TX (US)

3,273,862 A * 9/1966 Miller A47D 13/06
256/73
D215,582 S * 10/1969 Bogen, Jr. D5/2
D348,254 S * 6/1994 Ratzlaff D14/348
D349,104 S * 7/1994 Wetrin D14/348
D364,165 S 11/1995 Esslinger
(Continued)

(73) Assignee: **Advanced Micro Devices, Inc.**, Santa Clara, CA (US)

OTHER PUBLICATIONS

AMD Project Quantum Announced; posted at legitreviews.com; Jun. 2015.

(**) Term: **15 Years**

(Continued)

Primary Examiner — Sandra S Snapp
Assistant Examiner — Katherine Glennon
(74) *Attorney, Agent, or Firm* — Faegre Drinker Biddle & Reath LLP

(21) Appl. No.: **29/723,393**

(57) **CLAIM**

(22) Filed: **Feb. 6, 2020**

The ornamental design for a housing of an electronic device, as shown and described.

Related U.S. Application Data

(62) Division of application No. 29/615,083, filed on Aug. 25, 2017, now Pat. No. Des. 878,359, which is a division of application No. 29/548,331, filed on Dec. 11, 2015, now Pat. No. Des. 798,904.

DESCRIPTION

(51) **LOC (12) Cl.** **14-02**
(52) **U.S. Cl.**
USPC **D14/300**
(58) **Field of Classification Search**
USPC D14/300-302, 308, 348, 353-355;
D5/1-4, 47, 53, 58, 61
CPC .. G06F 1/203; H05K 7/1488; H05K 7/20736;
H05K 7/20781; H05K 5/0021; H05K
5/0052

FIG. 1 is a top perspective view of a housing of an electronic device;
FIG. 2 is a bottom perspective view of a housing of an electronic device;
FIG. 3 is a front view of a housing of an electronic device;
FIG. 4 is a rear view of a housing of an electronic device;
FIG. 5 is a first side view of a housing of an electronic device;
FIG. 6 is a second side view of a housing of an electronic device;
FIG. 7 is a top plan view of a housing of an electronic device; and,

See application file for complete search history.

(Continued)

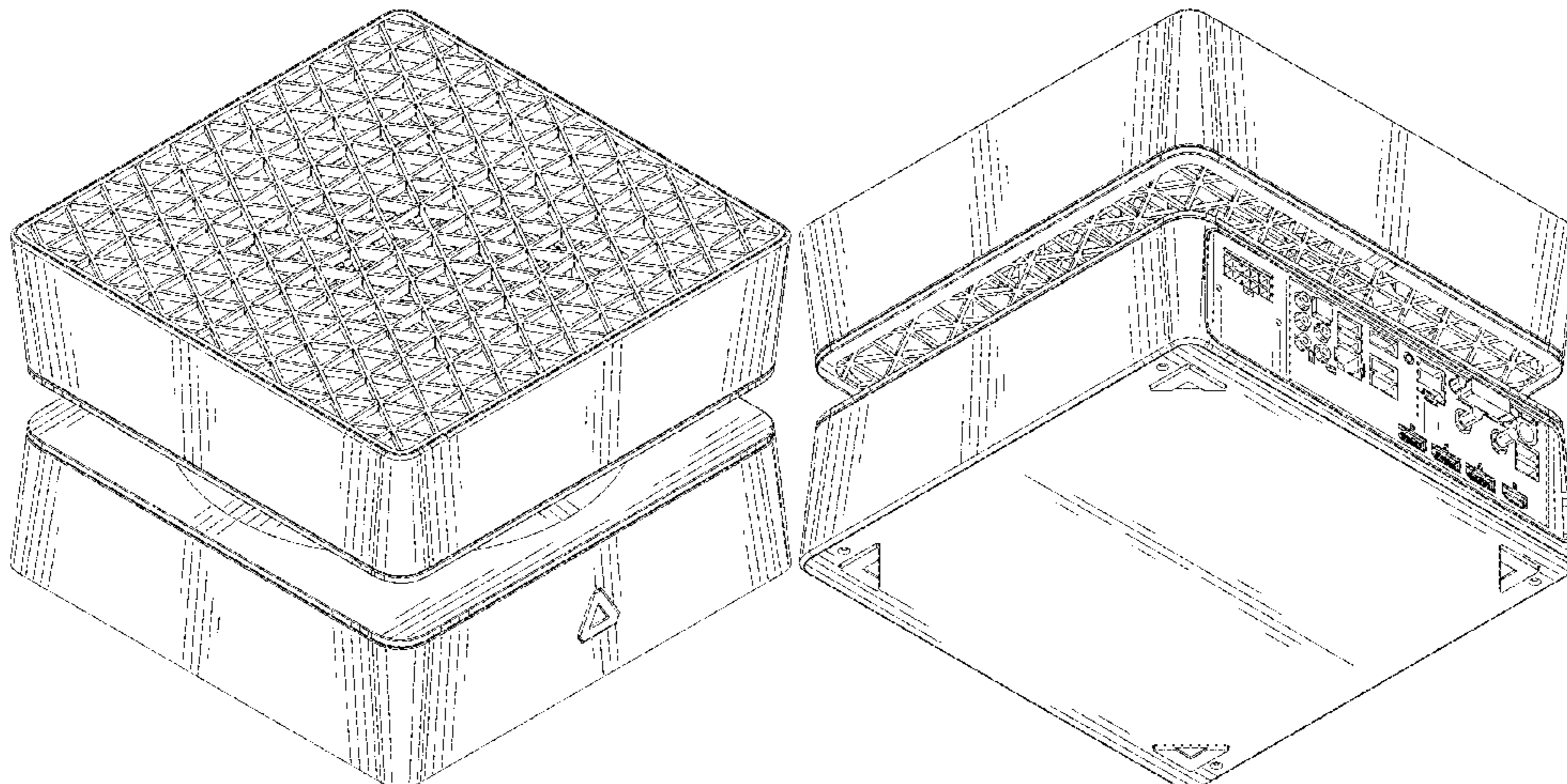


FIG. 8 is a bottom plan view of a housing of an electronic device.

1 Claim, 6 Drawing Sheets

(56)

References Cited

U.S. PATENT DOCUMENTS

D411,685	S *	6/1999	Thomas	D5/1
5,914,707	A	6/1999	Kono		
D431,241	S *	9/2000	Armstrong	D14/348
6,565,444	B2	5/2003	Nagata et al.		
D501,553	S *	2/2005	Kelly	D24/125
6,908,387	B2	6/2005	Hedrick et al.		
6,955,606	B2	10/2005	Taho et al.		
D544,497	S	6/2007	Kindle		
D560,217	S	1/2008	Adachi		
D563,994	S	3/2008	Liu		
D575,801	S	8/2008	Kusano et al.		
D601,583	S	10/2009	Andre et al.		
D615,555	S	5/2010	Ho		
7,926,213	B1 *	4/2011	Kludt	F16B 2/12 40/605
D647,521	S	10/2011	Takeda		

D650,394	S	12/2011	Seoc et al.		
D668,143	S	10/2012	Akana et al.		
D685,785	S *	7/2013	Seoc	D14/353
D686,201	S	7/2013	Lee		
D703,669	S *	4/2014	Niizawa	D14/353
D720,347	S *	12/2014	Lo	D14/348
D724,079	S *	3/2015	Probst	D14/348
D727,360	S	4/2015	Peng et al.		
D747,356	S	1/2016	Jou et al.		
D753,100	S	4/2016	Magi		
D763,246	S	8/2016	Jasinski		
D765,140	S	8/2016	Peng et al.		
D794,014	S *	8/2017	Magi	D14/348
D795,253	S *	8/2017	Kawano	D14/348
D797,095	S	9/2017	Delpier		
D798,904	S	10/2017	Jaggers et al.		
D804,829	S *	12/2017	Austin	D5/58
9,848,515	B1	12/2017	Janak		
D807,873	S	1/2018	Seoc		
D878,359	S *	3/2020	Jaggers	D14/300

OTHER PUBLICATIONS

AMD Project Quantum PC Form Factor Leaps Forward; posted at youtube.com; Jun. 2015.

* cited by examiner

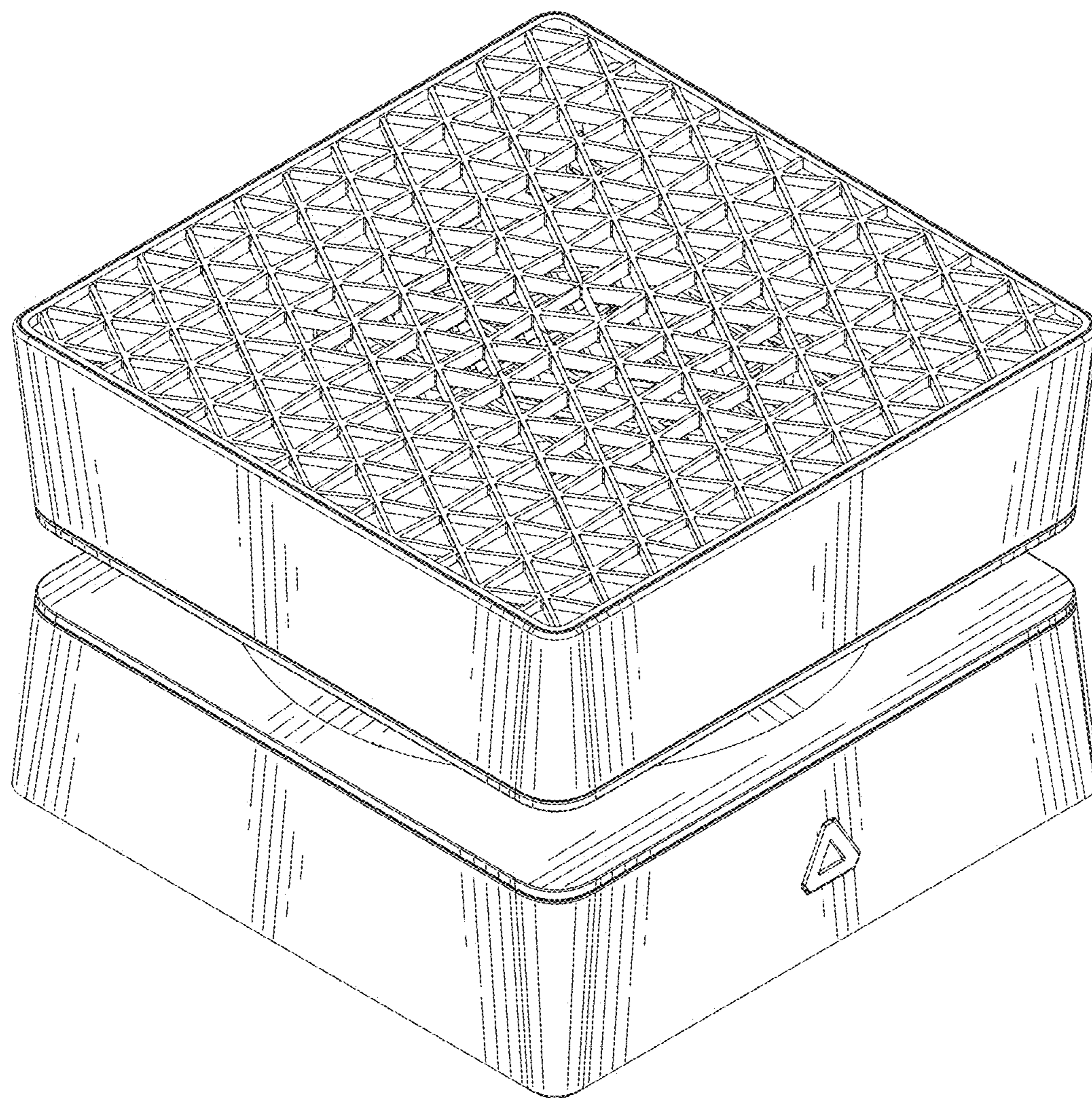


FIG. 1

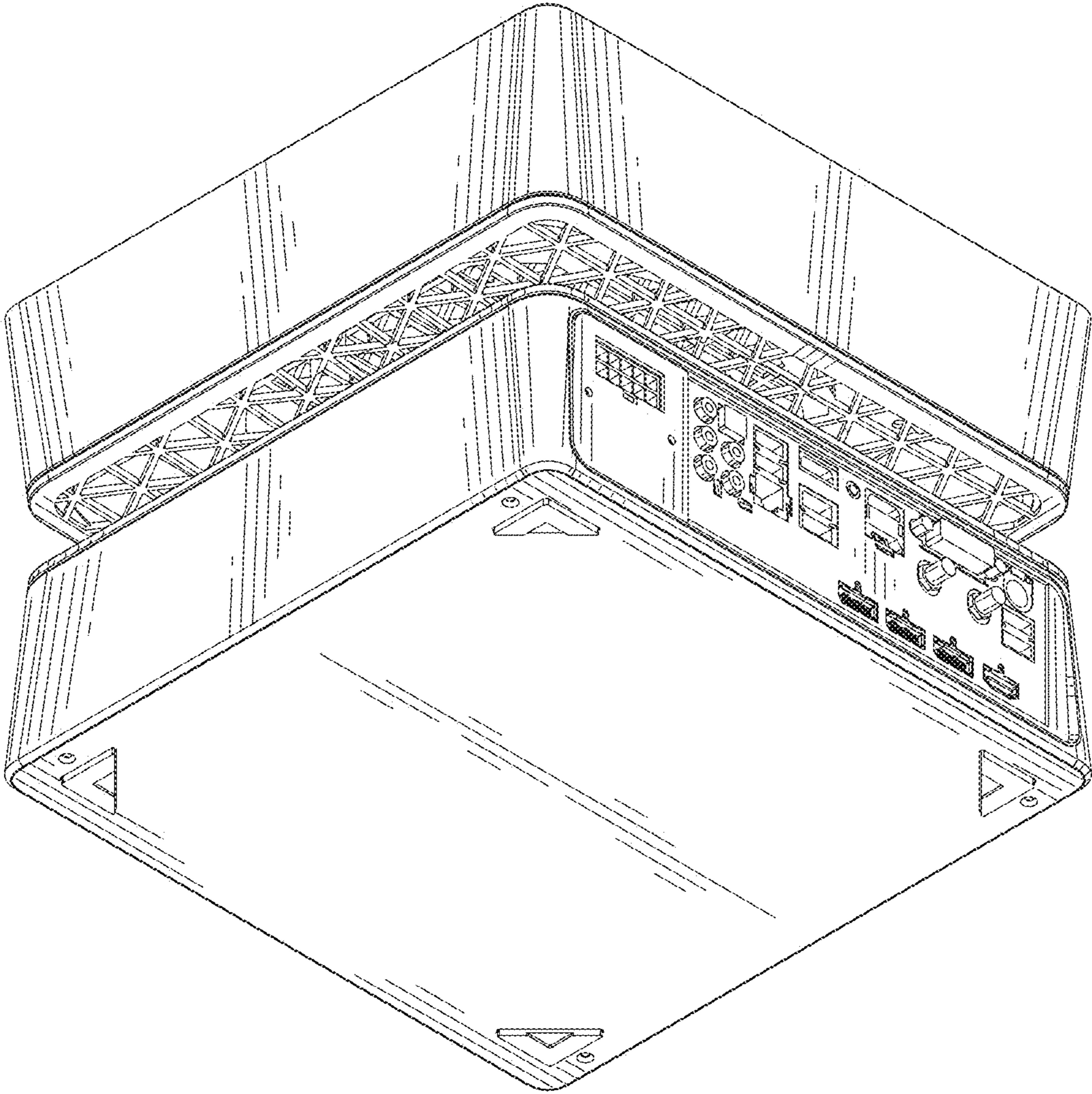


FIG. 2

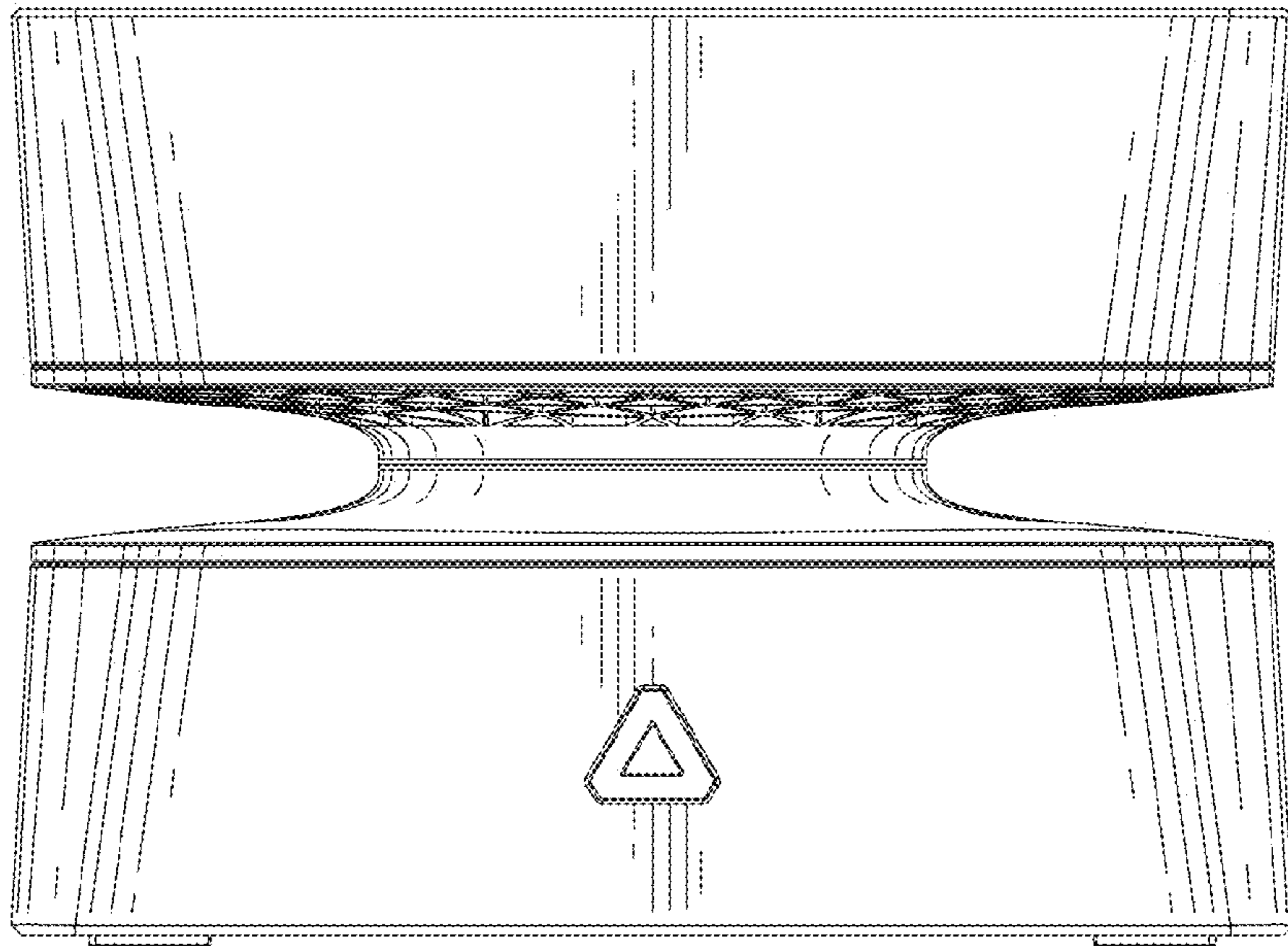


FIG. 3

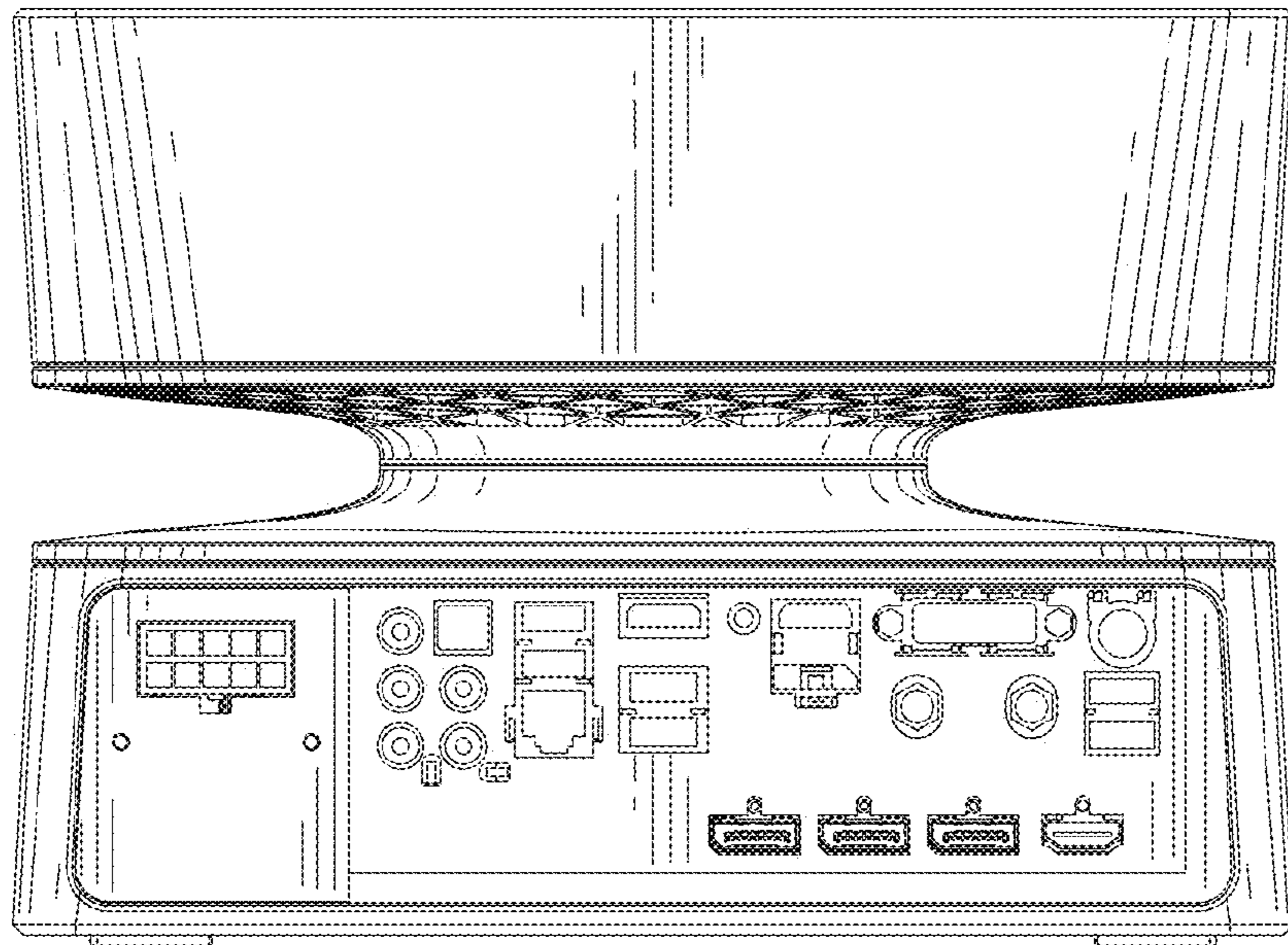


FIG. 4

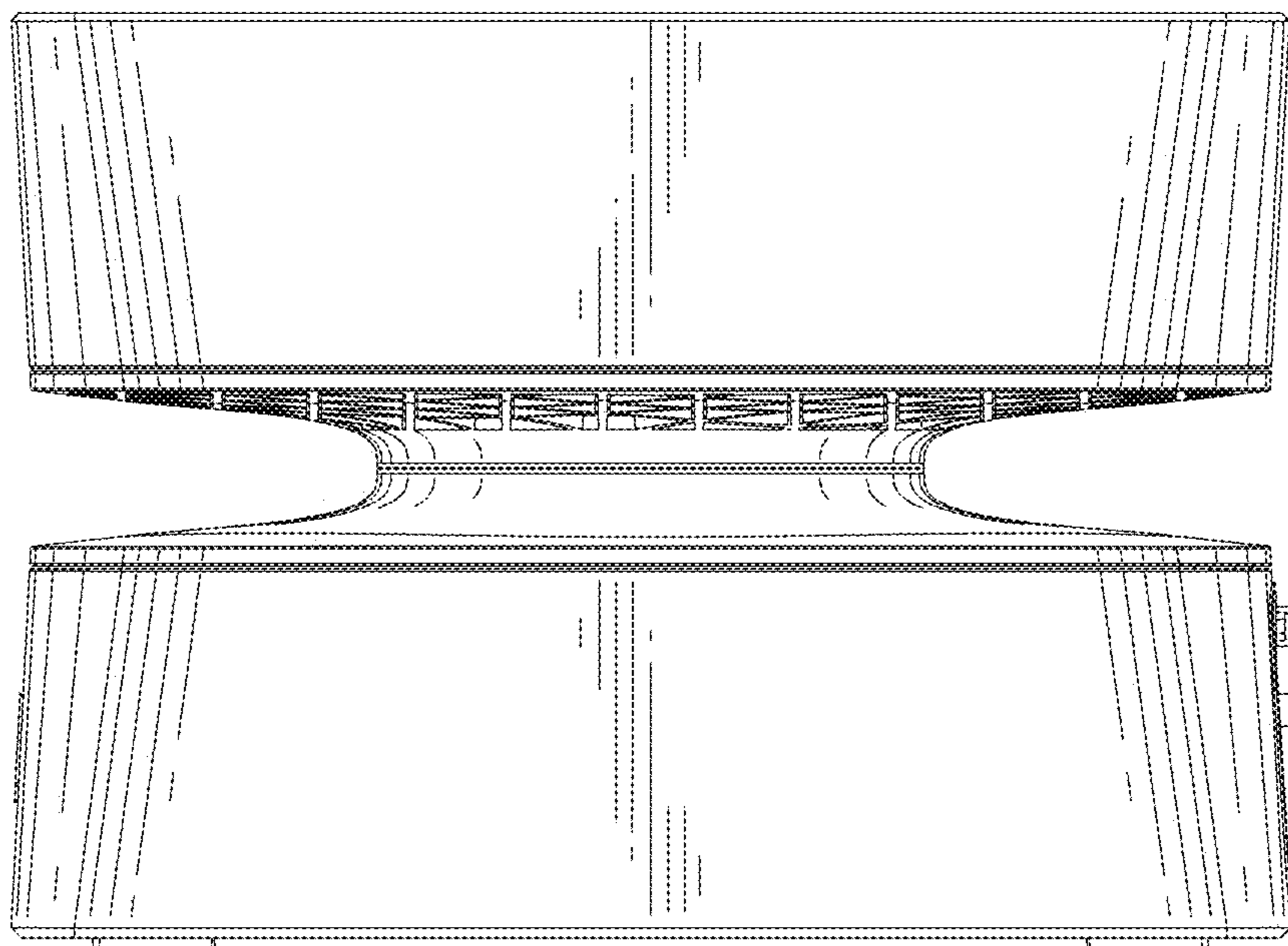


FIG. 5

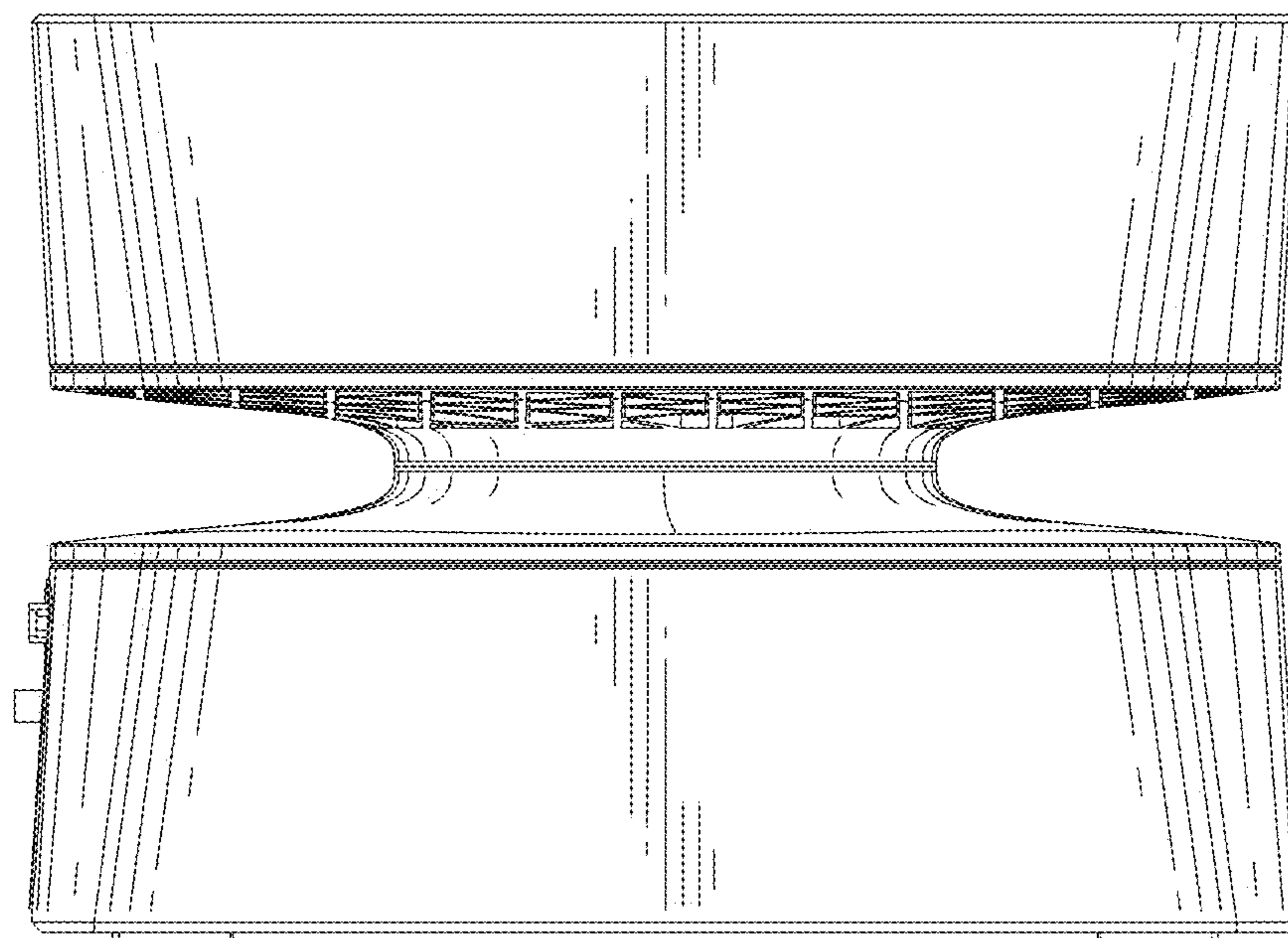


FIG. 6

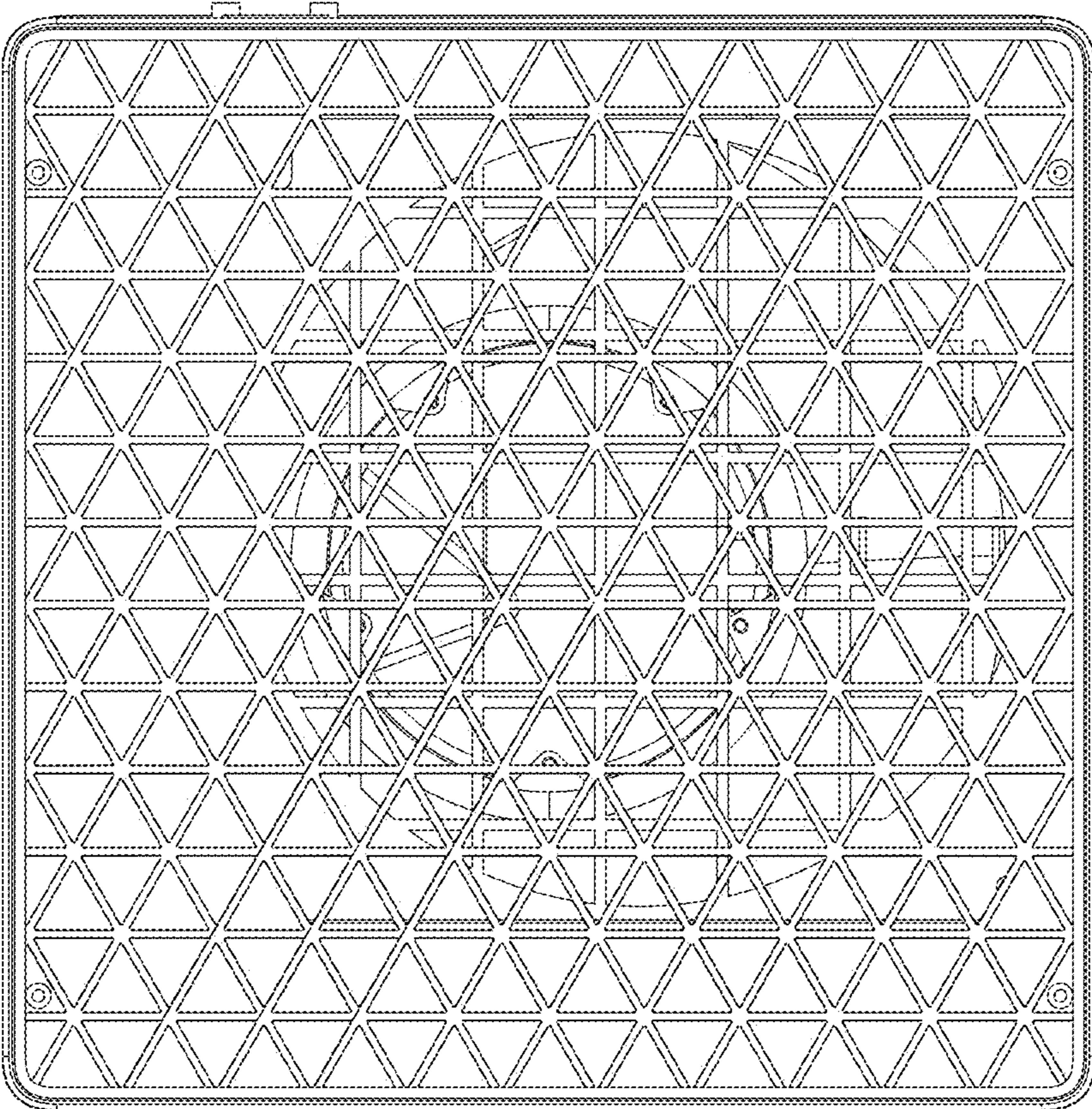


FIG. 7

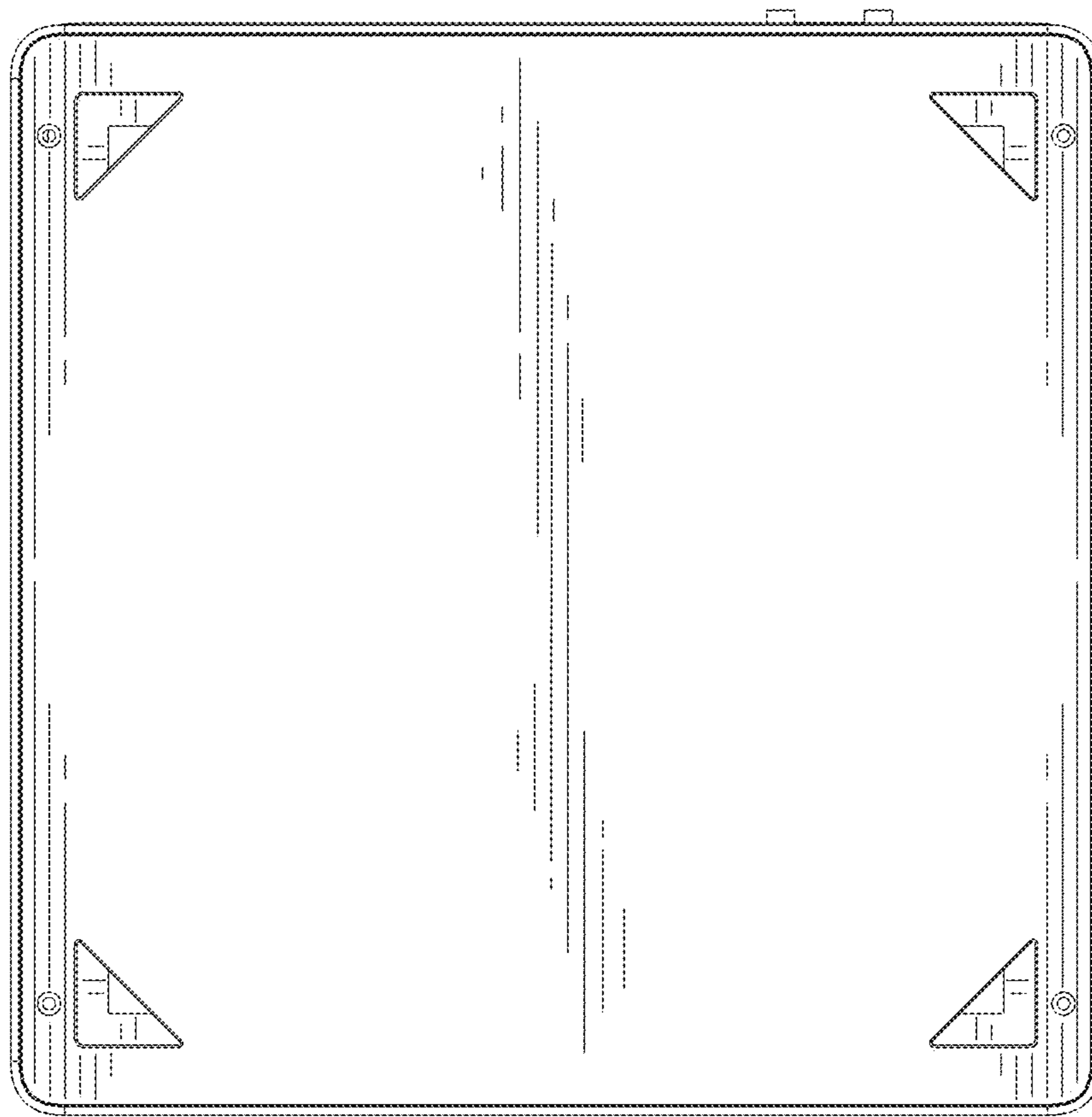


FIG. 8