



US00D896215S

(12) **United States Design Patent**
Li

(10) **Patent No.:** **US D896,215 S**

(45) **Date of Patent:** **** Sep. 15, 2020**

(54) **MOBILE PHONE HOLDER**

(71) Applicant: **SHENZHEN LEADERMENT TECHNOLOGY CO., LTD.**, Longhua District, Shenzhen (CN)

(72) Inventor: **Chun Bin Li**, Shenzhen (CN)

(73) Assignee: **SHENZHEN LEADERMENT TECHNOLOGY CO., LTD.**, Shenzhen (CN)

(**) Term: **15 Years**

(21) Appl. No.: **29/694,752**

(22) Filed: **Jun. 13, 2019**

(51) **LOC (12) Cl.** **14-03**

(52) **U.S. Cl.**
USPC **D14/253**

(58) **Field of Classification Search**
USPC D14/251–253, 447, 452, 432–434, 440;
D12/415; D3/218; D8/349, 363
CPC H04M 1/02; H04M 1/04; B60R 11/02;
F16M 11/00; F16M 11/04; F16M 11/06
See application file for complete search history.

(56) **References Cited**

U.S. PATENT DOCUMENTS

D646,674 S	*	10/2011	Liao	D14/253
D685,379 S	*	7/2013	Richter	D14/253
D685,380 S	*	7/2013	Richter	D14/253
D705,211 S	*	5/2014	Huang	D14/253
D716,215 S	*	10/2014	Dunn	D12/415
D718,297 S	*	11/2014	Aspinall	D14/253
D736,217 S	*	8/2015	Wang	D14/451
D750,612 S	*	3/2016	Chen	D14/253
D752,571 S	*	3/2016	Richter	D14/253
D784,923 S	*	4/2017	Song	D13/108

D799,466 S	*	10/2017	Sukphist	D14/253
D832,248 S	*	10/2018	Sukphist	D14/253
D833,369 S	*	11/2018	Lan	D12/415
D839,868 S	*	2/2019	Lee	D14/253
D852,188 S	*	6/2019	He	D14/253
D858,509 S	*	9/2019	Yao	D14/253
D859,393 S	*	9/2019	Dang	D14/253
D859,395 S	*	9/2019	Yao	D14/253
D861,670 S	*	10/2019	Li	D14/253
D864,092 S	*	10/2019	Zhang	D12/415
D864,185 S	*	10/2019	Chen	D14/253
D872,014 S	*	1/2020	Zhang	D13/108
D875,090 S	*	2/2020	Leeds-Frank	D14/253
D877,688 S	*	3/2020	Liu	D12/415
D881,200 S	*	4/2020	Leeds-Frank	D14/447
2015/0072555 A1	*	3/2015	Riddiford	F16M 11/041 439/575

* cited by examiner

Primary Examiner — Janice Hallmark

(74) *Attorney, Agent, or Firm* — Law Offices of Steven W. Weinrieb

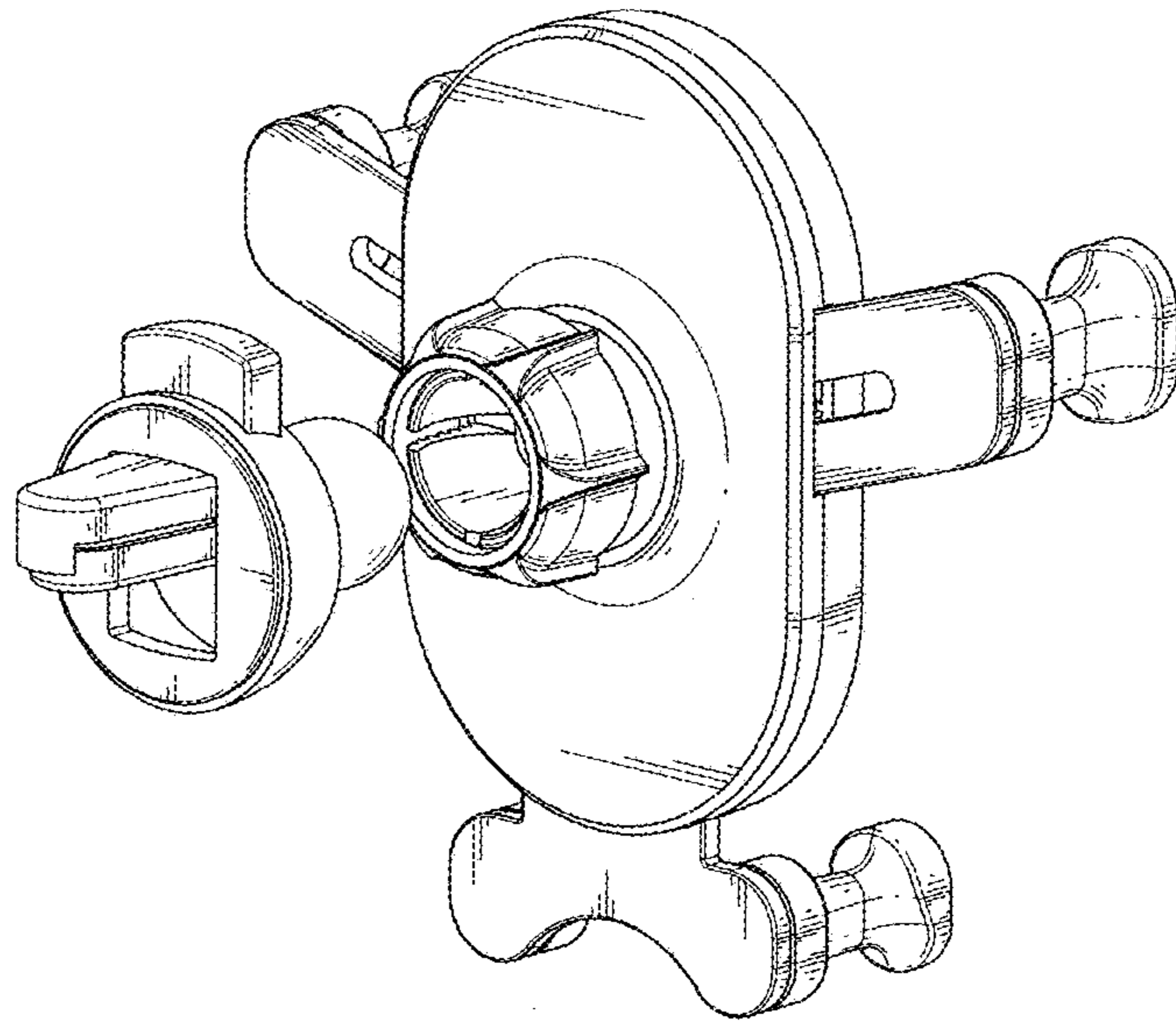
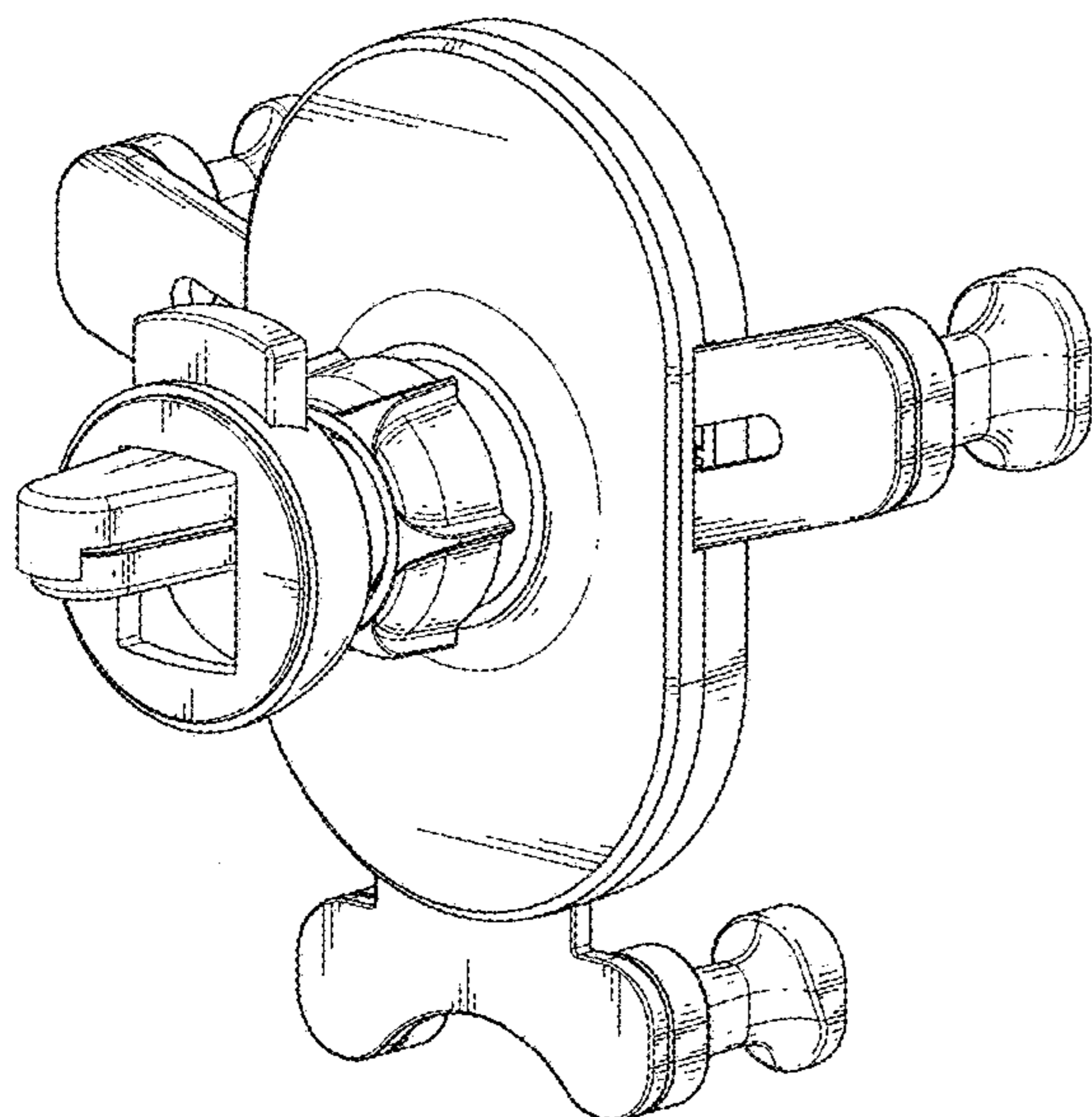
(57) **CLAIM**

The ornamental design for a mobile phone holder, as shown and described.

DESCRIPTION

FIG. 1 is a front, right side, top perspective view of a mobile phone holder showing my new design; FIG. 2 is a rear elevational view thereof; FIG. 3 is a front elevational view thereof; FIG. 4 is a right side elevational view thereof; FIG. 5 is a left side elevational view thereof; FIG. 6 is a top plan view thereof; FIG. 7 is a bottom plan view thereof; and, FIG. 8 is a front, right side, top exploded perspective view thereof showing the mobile phone holder in use.

1 Claim, 8 Drawing Sheets



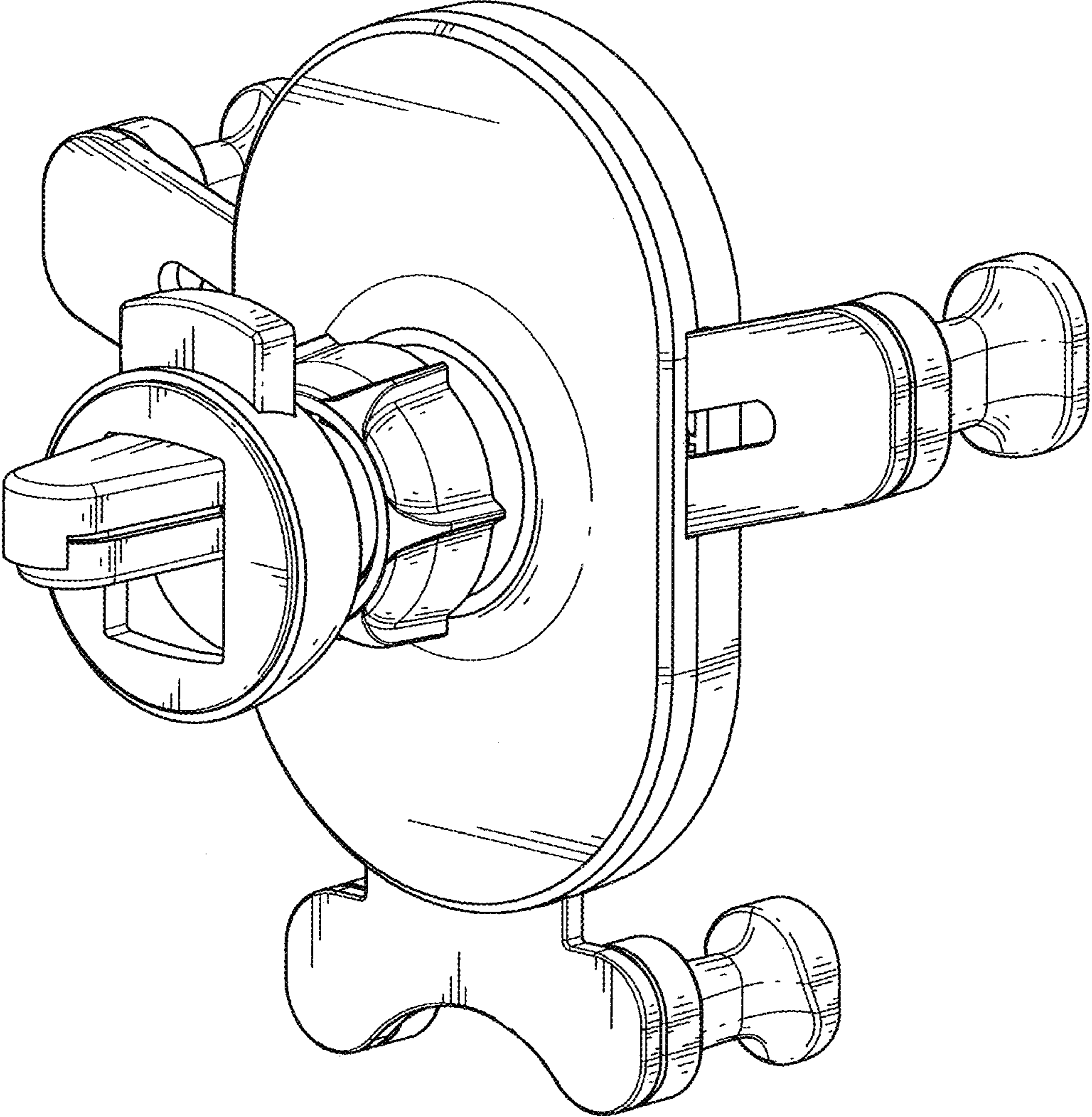


FIG.1

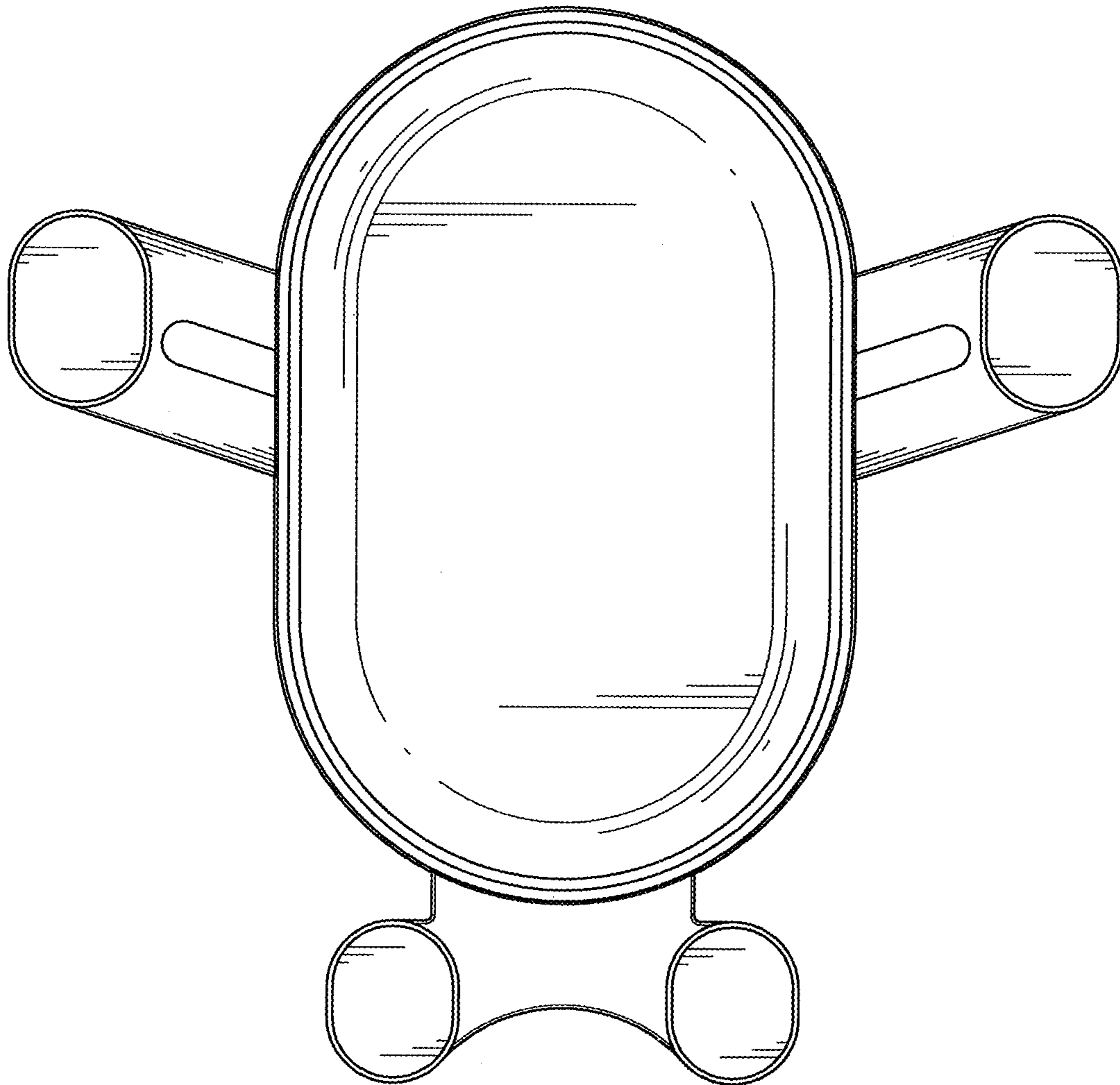


FIG.2

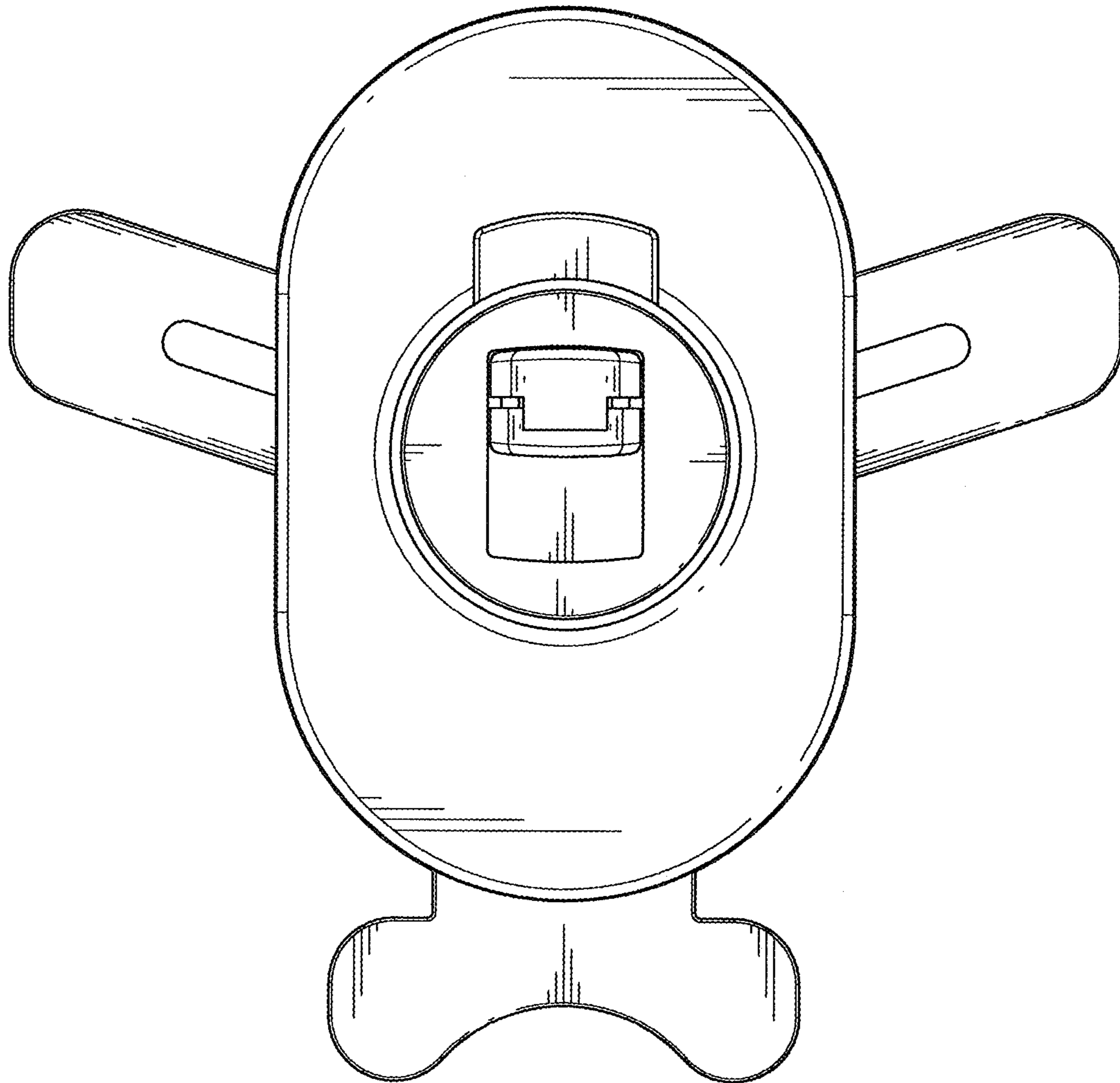


FIG.3

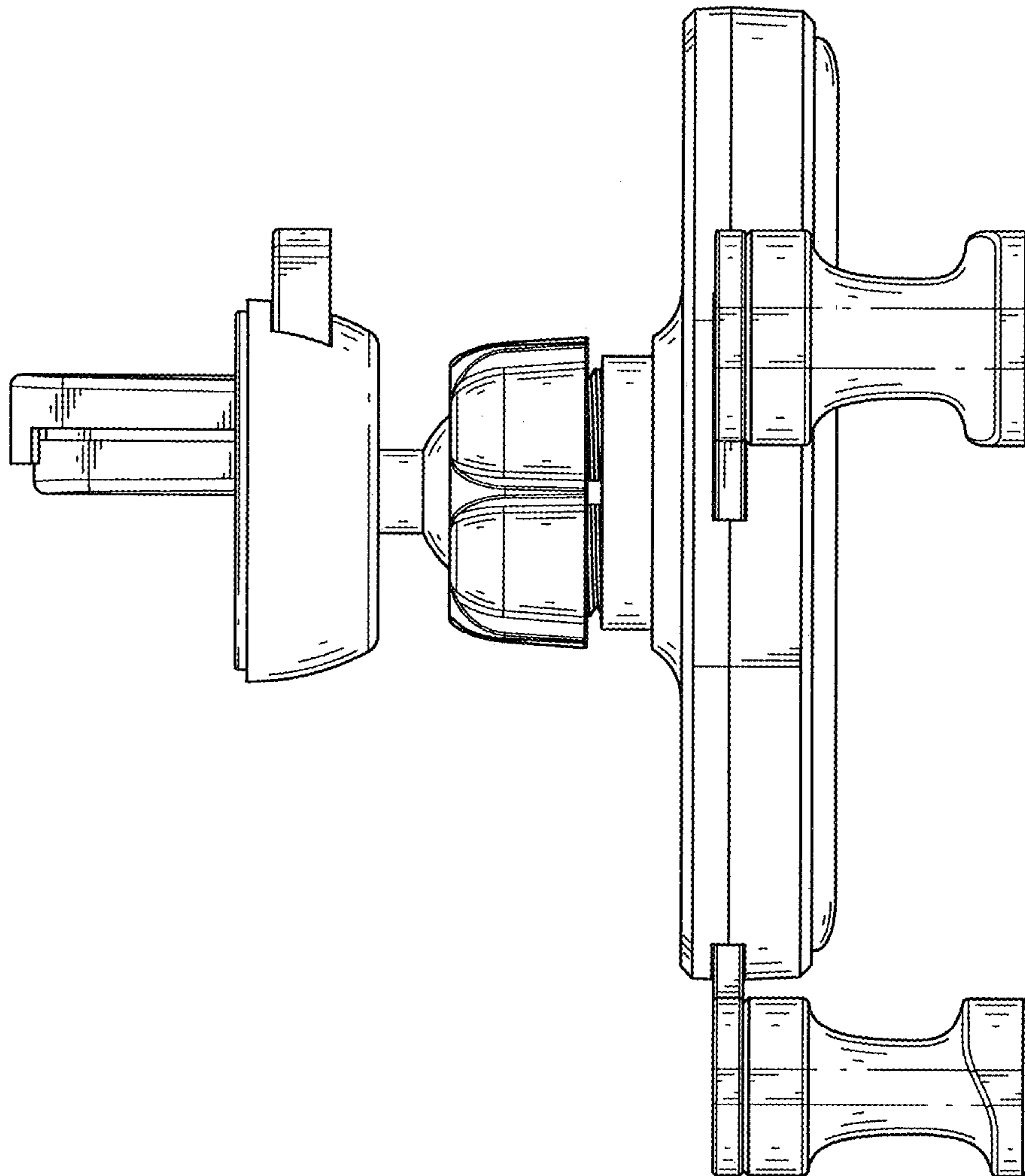


FIG. 4

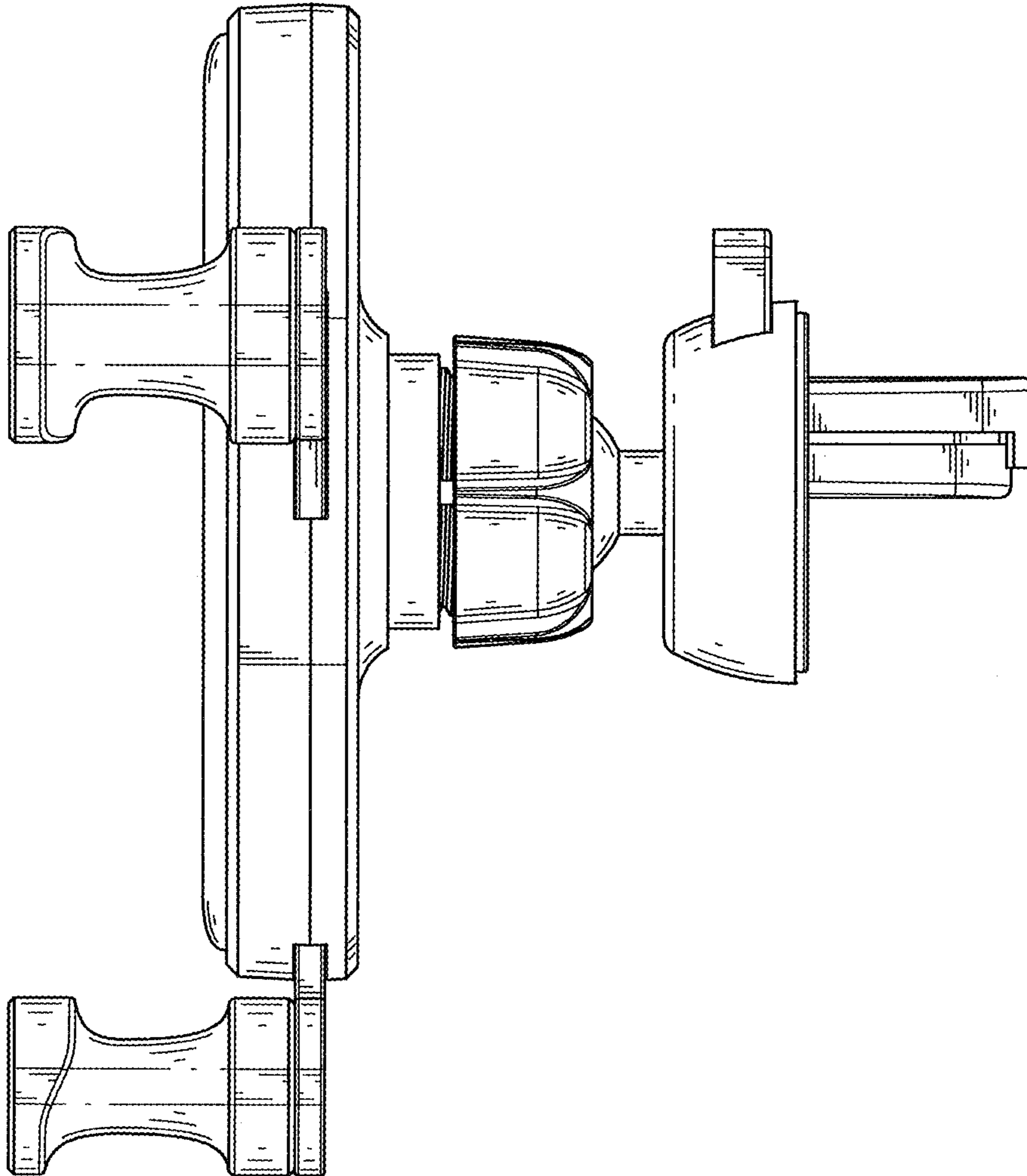


FIG.5

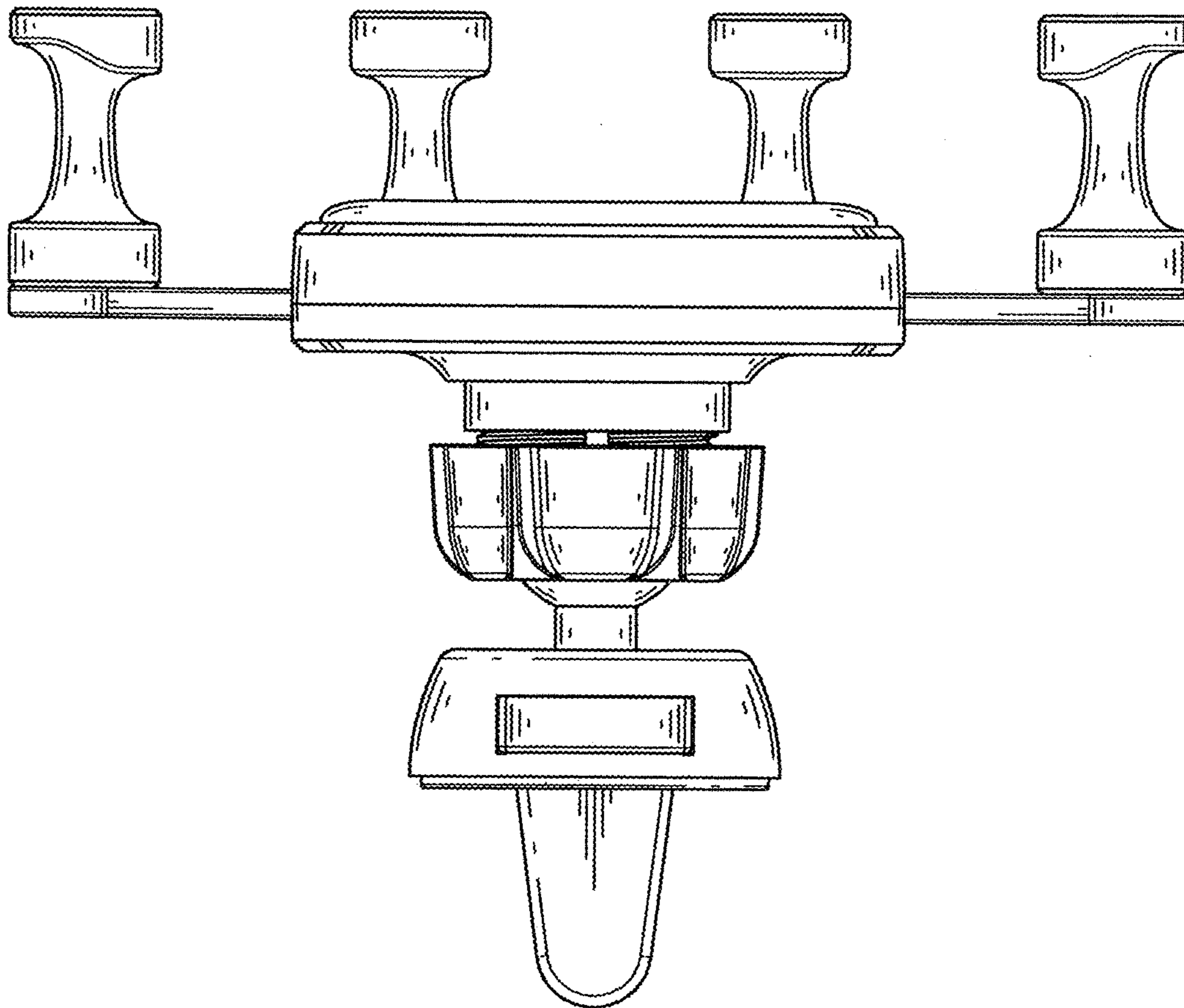


FIG.6

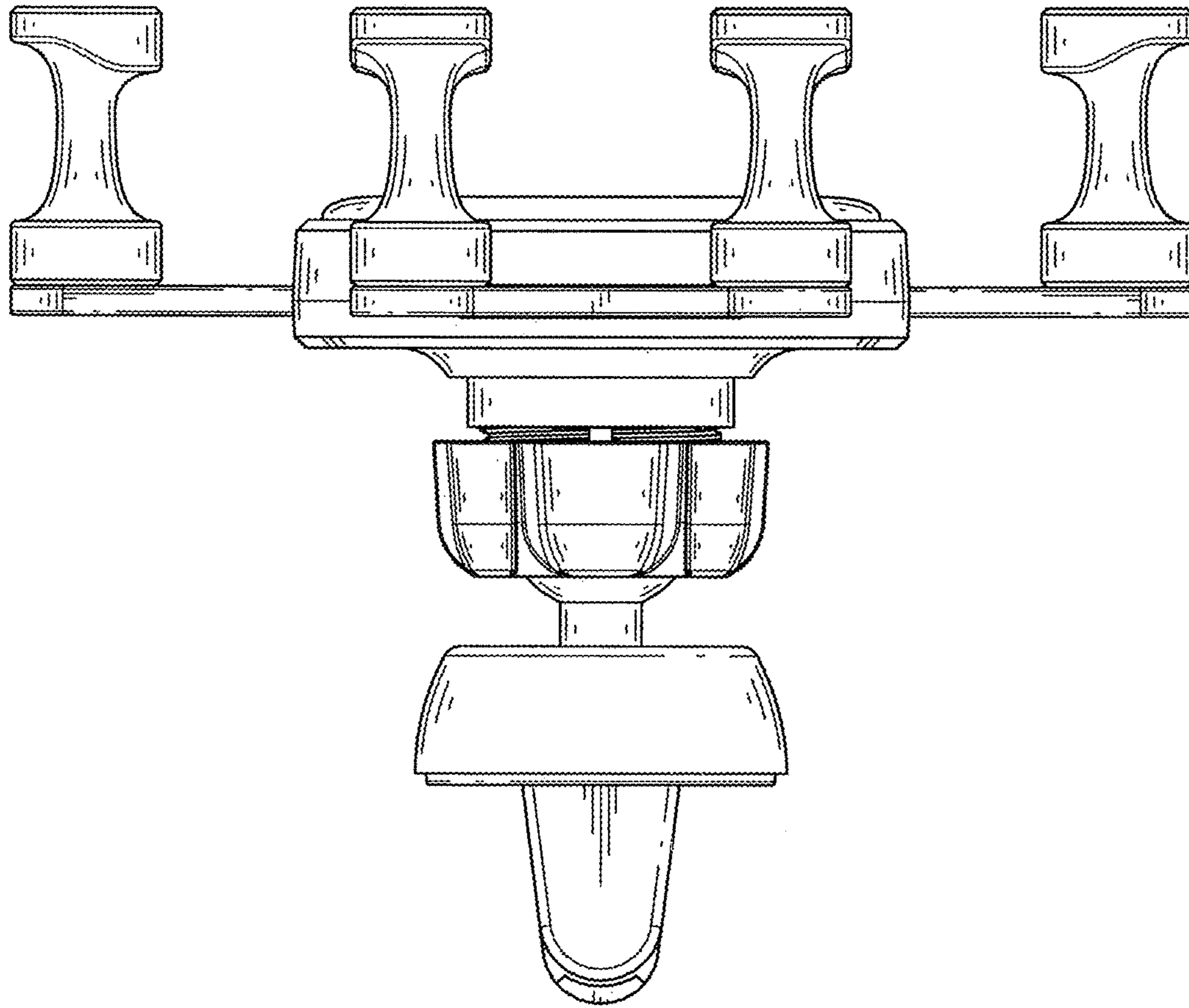


FIG. 7

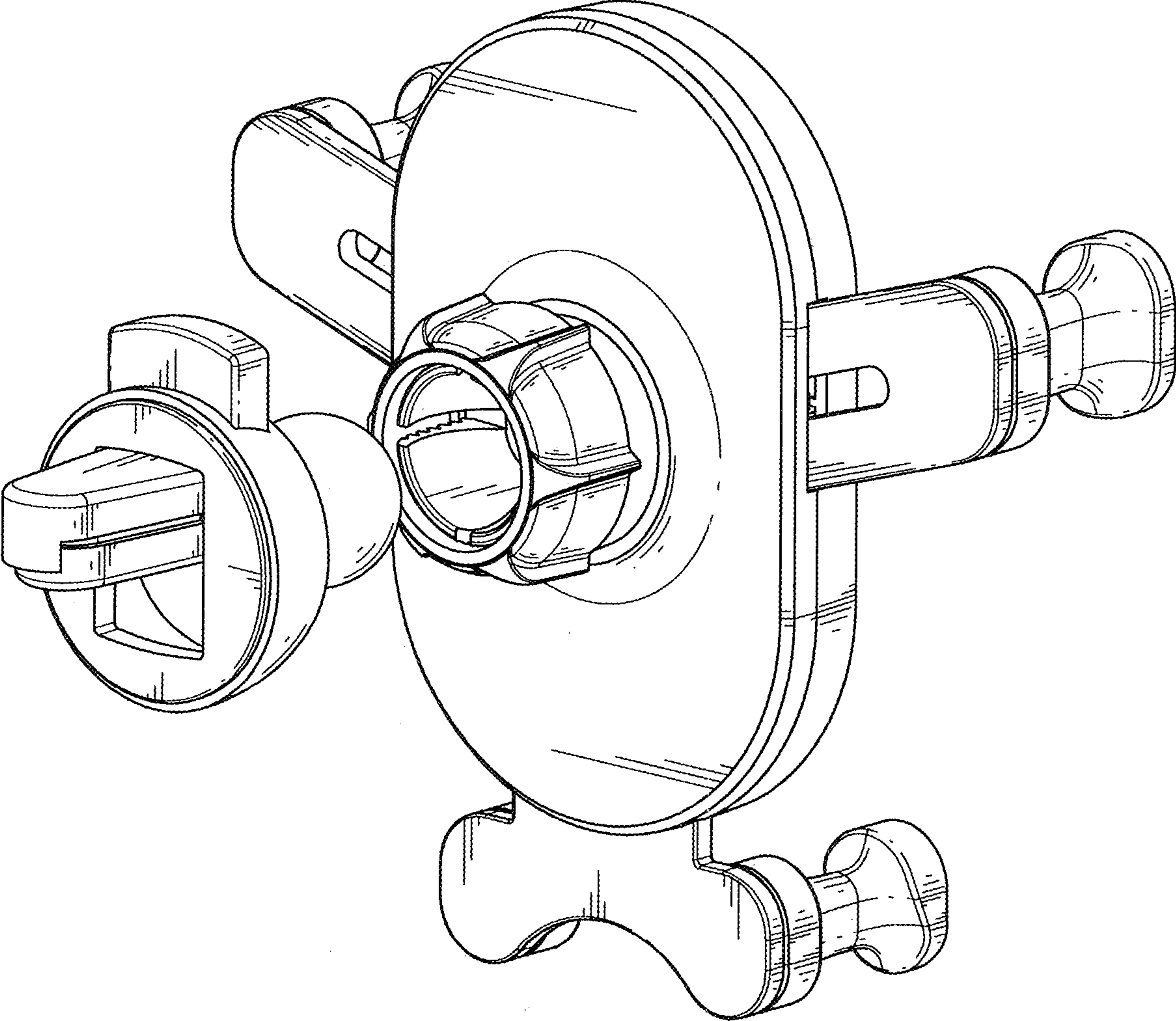


FIG.8