

US00D896212S

(12) **United States Design Patent**  
**Wang**

(10) **Patent No.:** **US D896,212 S**

(45) **Date of Patent:** **\*\* Sep. 15, 2020**

(54) **MOBILE PHONE CASE**

(71) Applicant: **Shenzhen Chuangxinxin Technology Co., Ltd., Shenzhen (CN)**

(72) Inventor: **Man Wang, Hubei (CN)**

(\*\*) Term: **15 Years**

(21) Appl. No.: **29/717,730**

(22) Filed: **Dec. 19, 2019**

(30) **Foreign Application Priority Data**

Jul. 4, 2019 (CN) ..... 2019 3 0353493

(51) **LOC (12) Cl.** ..... **14-03**

(52) **U.S. Cl.**  
USPC ..... **D14/250**

(58) **Field of Classification Search**  
USPC ..... D14/203.3–203.7, 439, 251–253, 447,  
D14/217, 240, 248, 238.1, 250, 440;  
D13/103, 107–108, 119; D3/201, 218,  
D3/247, 249, 269, 273, 301, 303  
CPC ..... H04B 1/3888; H04M 1/0283; H04M  
1/0202; A45C 1/06; A45C 11/00; A45C  
13/02; A45C 2011/002; A45F 2005/026;  
A45F 2200/0525; A45F 2200/0516  
See application file for complete search history.

(56) **References Cited**

**U.S. PATENT DOCUMENTS**

D691,122 S *	10/2013	Bau	.....	D14/250
D694,742 S *	12/2013	Pan	.....	D14/250
D715,785 S *	10/2014	Jacob	.....	D14/250
D717,781 S *	11/2014	Kim	.....	D14/250
D720,739 S *	1/2015	Liu	.....	D14/250
D721,069 S *	1/2015	Havens	.....	D14/250
D725,379 S *	3/2015	Dixon	.....	D3/218
D739,394 S *	9/2015	Rayner	.....	D14/250
D772,858 S *	11/2016	Hu	.....	D14/250

D782,459 S *	3/2017	Shannon, III	.....	D14/250
D785,612 S *	5/2017	Kim	.....	D14/248
D796,498 S *	9/2017	Babichenko	.....	D14/250
D812,600 S *	3/2018	Altaras	.....	D14/250
D812,618 S *	3/2018	Altaras	.....	D14/440
D816,651 S *	5/2018	Chiang	.....	D14/250
D823,298 S *	7/2018	Kim	.....	D14/250
D842,286 S *	3/2019	Weaver	.....	D14/250
D845,292 S *	4/2019	Fitzgerald	.....	D14/250
D852,158 S *	6/2019	Tani	.....	D14/147
D854,531 S *	7/2019	Shoemake	.....	D14/250
D861,664 S *	10/2019	Chen	.....	D14/250
D862,451 S *	10/2019	Ahn	.....	D14/250
D863,286 S *	10/2019	Hong	.....	D14/250

(Continued)

*Primary Examiner* — Carla J Wright

(74) *Attorney, Agent, or Firm* — ZANIP

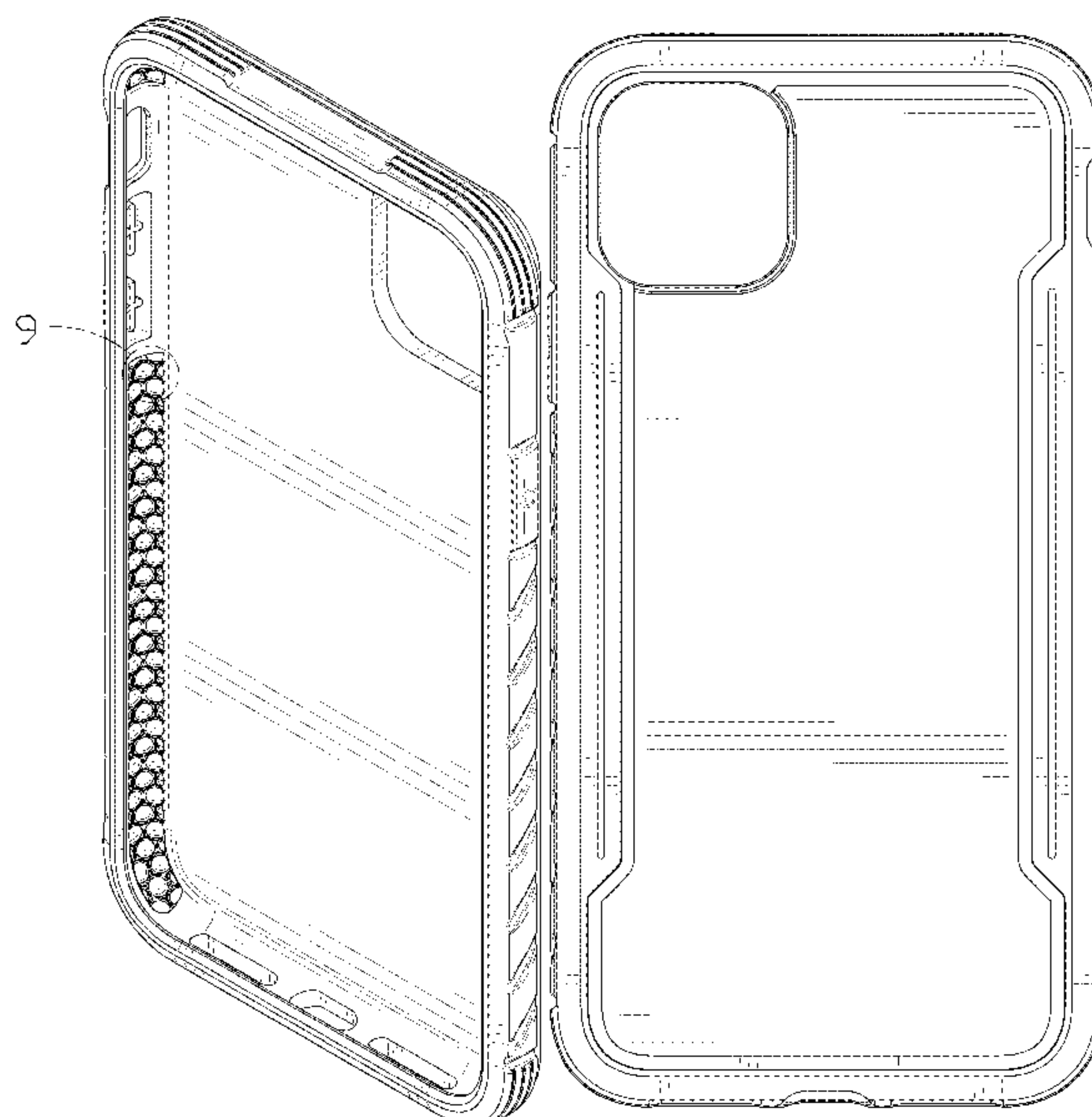
(57) **CLAIM**

The ornamental design for a mobile phone case, as shown and described.

**DESCRIPTION**

FIG. 1 is a front and top perspective view of a mobile phone case, showing my new design;  
 FIG. 2 is a back and bottom perspective view thereof;  
 FIG. 3 is a front view thereof;  
 FIG. 4 is a back view thereof;  
 FIG. 5 is a left side view thereof;  
 FIG. 6 is a right side view thereof;  
 FIG. 7 is a top view thereof;  
 FIG. 8 is a bottom view thereof; and,  
 FIG. 9 is an enlarged view of a portion indicated in FIG. 1. The dot-dash broken line circle in FIGS. 1 and 9 delineates a portion of the mobile phone case that is part of the claimed design and that is shown on an enlarged scale in FIG. 9. The dashed broken lines in the FIGS. 1-6 illustrate portions of the mobile phone case that form no part of the claimed design.

**1 Claim, 9 Drawing Sheets**



(56)

**References Cited**

U.S. PATENT DOCUMENTS

D864,184 S 10/2019 Adjesson  
D865,740 S \* 11/2019 Altschul ..... D14/250  
2014/0221056 A1\* 8/2014 Gandhi ..... H04B 1/3888  
455/575.8  
2018/0098610 A1\* 4/2018 Corraliza ..... A45C 11/00

\* cited by examiner

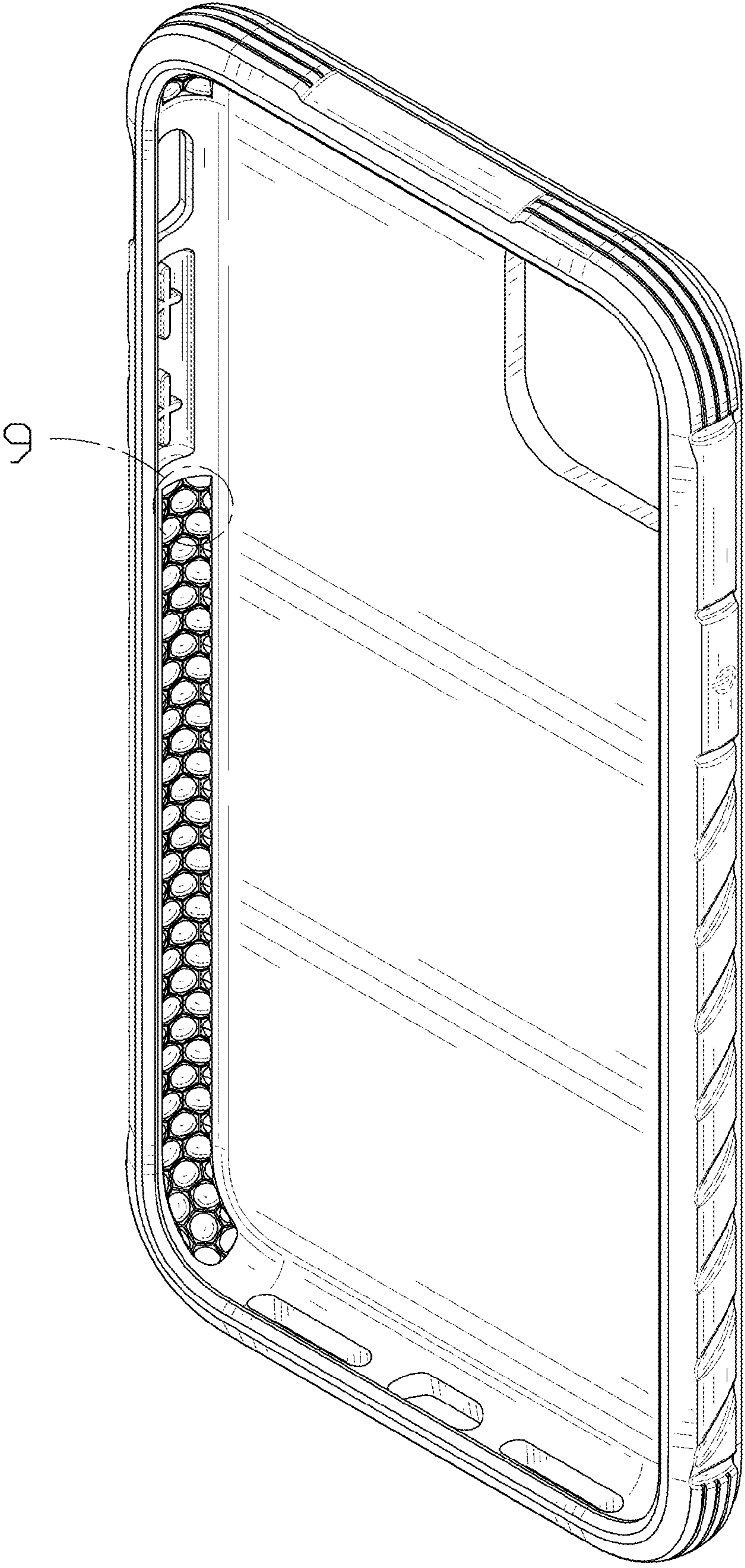


FIG. 1



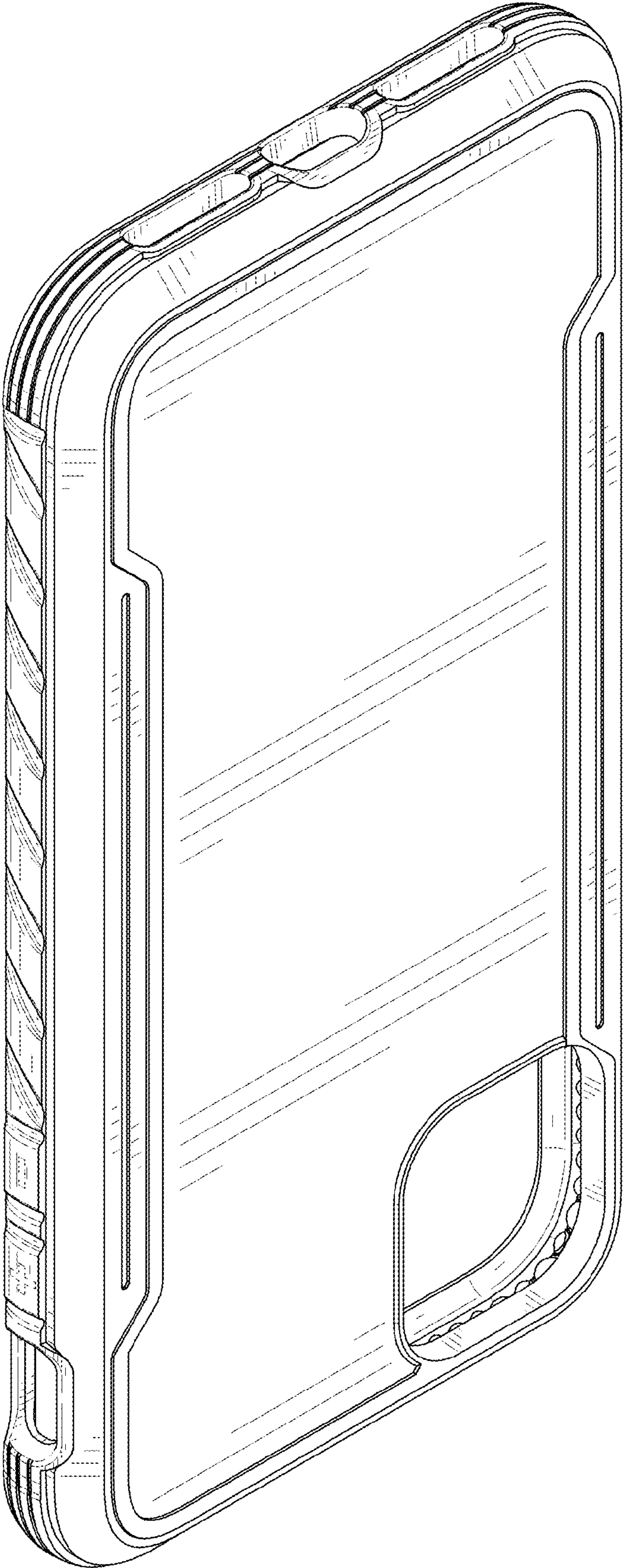


FIG. 2

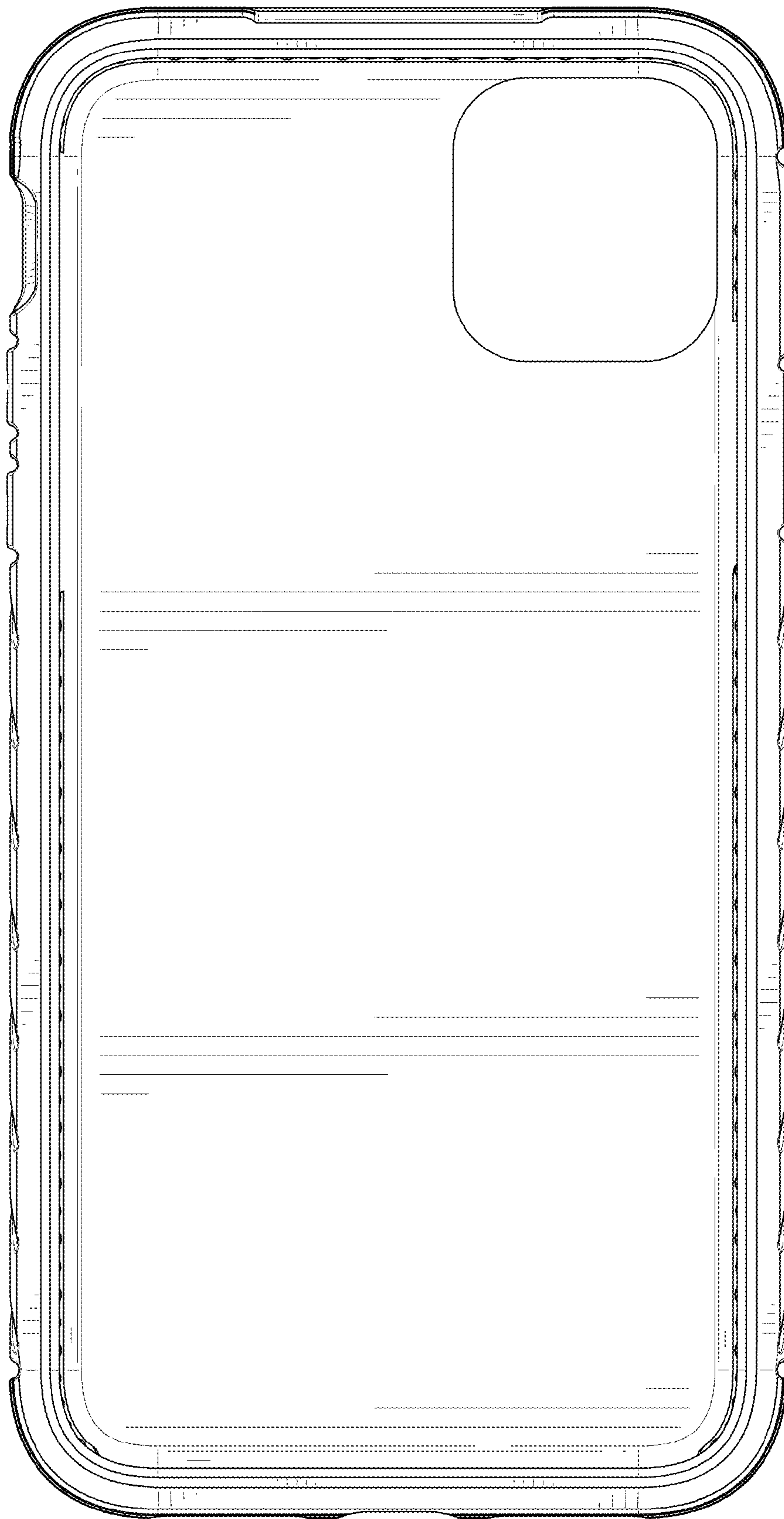


FIG. 3

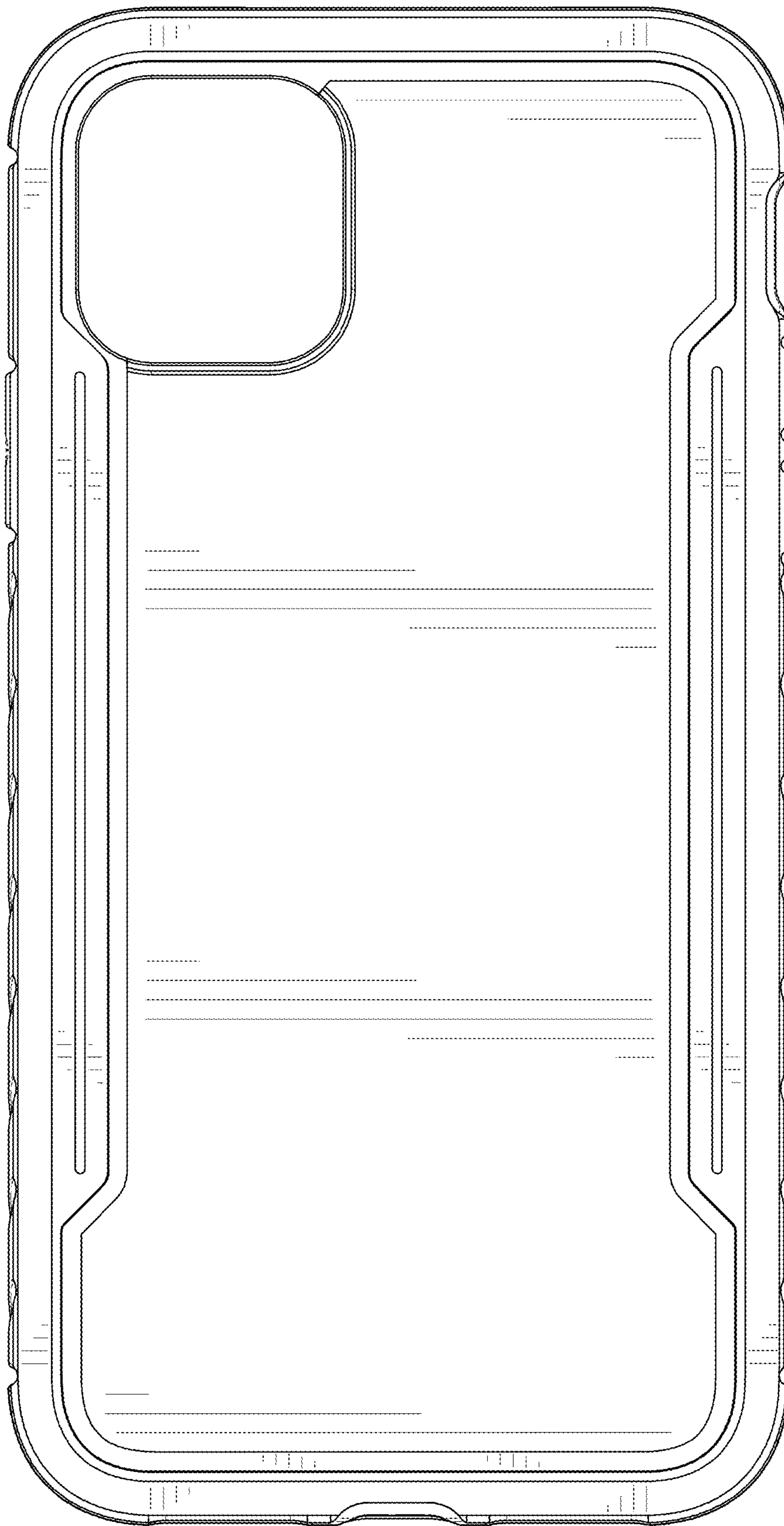


FIG. 4

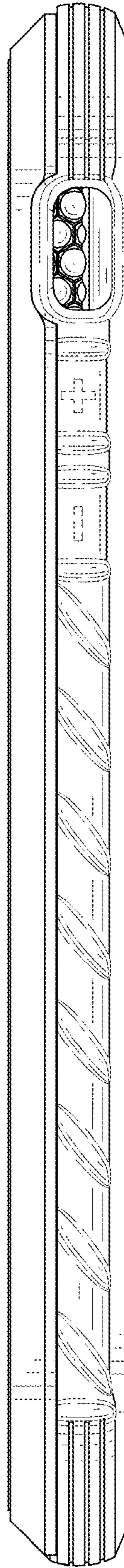


FIG. 5

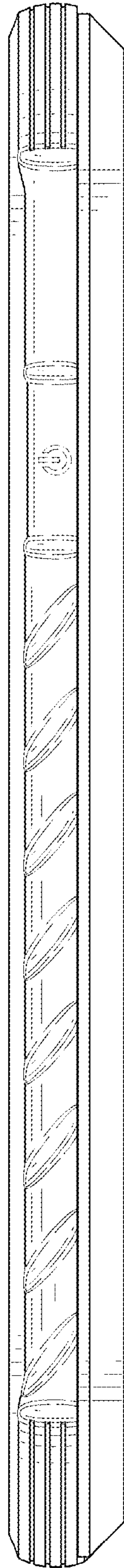


FIG. 6



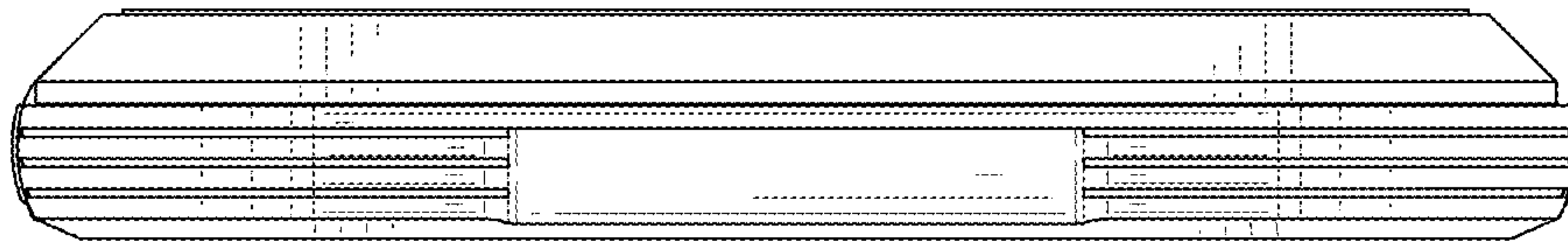


FIG. 7

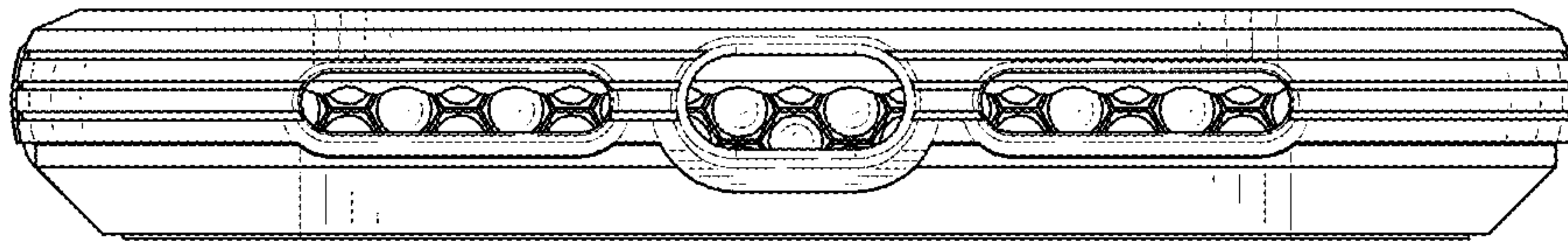


FIG. 8

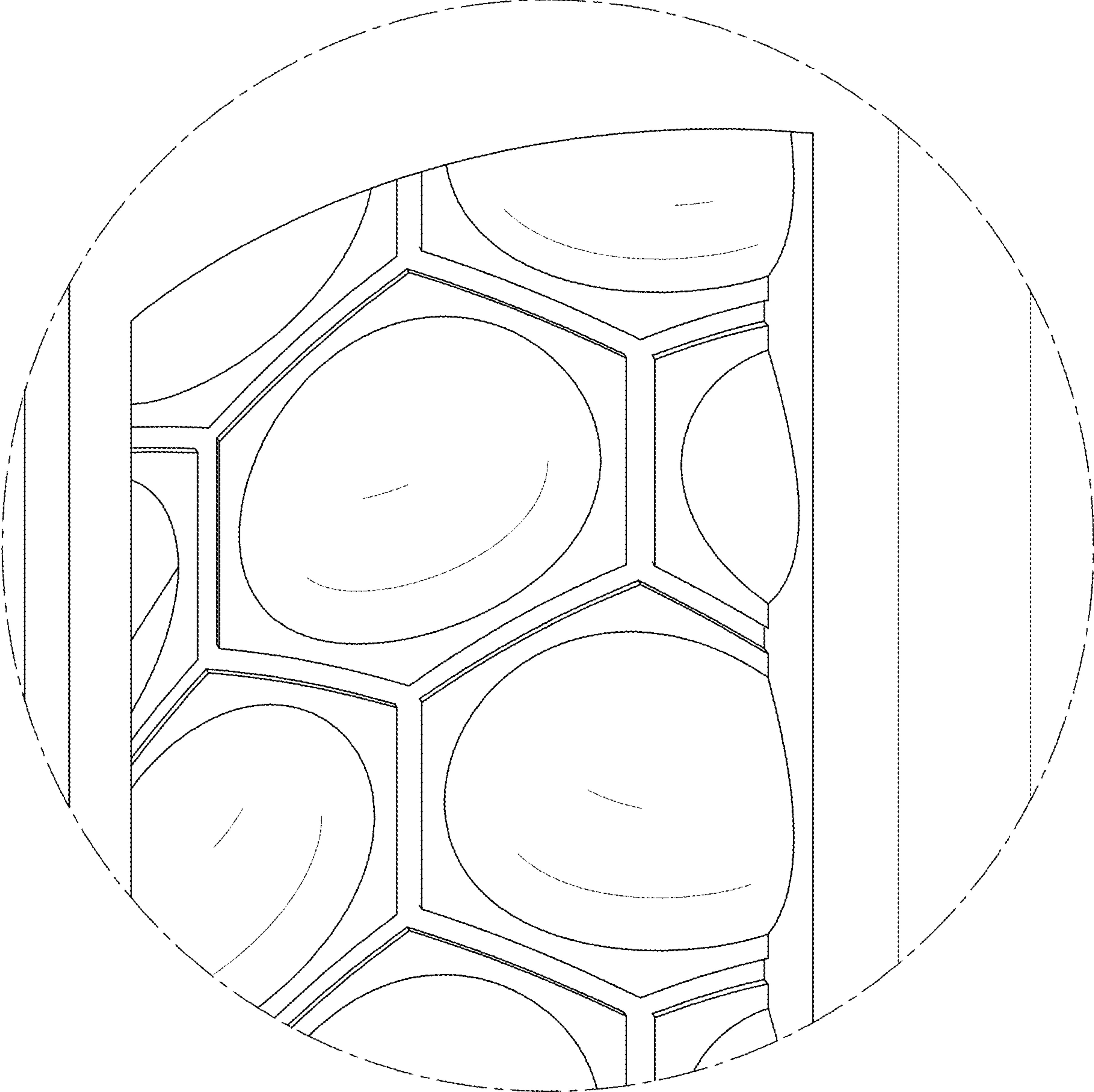


FIG. 9