



US00D896207S

(12) **United States Design Patent**
He

(10) **Patent No.:** **US D896,207 S**
(45) **Date of Patent:** **** Sep. 15, 2020**

(54) **EARPHONE**

(71) Applicant: **SHENZHEN QIANHAI PATUOXUN NETWORK AND TECHNOLOGY CO., LTD**, Shenzhen (CN)

(72) Inventor: **Yue He**, Shenzhen (CN)

(73) Assignee: **SHENZHEN QIANHAI PATUOXUN NETWORK AND TECHNOLOGY CO., LTD**, Shenzhen (CN)

(**) Term: **15 Years**

(21) Appl. No.: **29/736,608**

(22) Filed: **Jun. 1, 2020**

(51) **LOC (12) Cl.** **14-01**

(52) **U.S. Cl.**
USPC **D14/223**

(58) **Field of Classification Search**
USPC D14/223, 205; D24/174; 128/864, 865, 128/866; 455/90.3, 575.1, 569.1; D13/107, 108
CPC .. H02J 7/00; H04R 1/10; H04R 25/00; H04R 25/02; H04R 1/1066; H04R 1/1016; H04R 5/033; H04R 5/0335; H04R 1/1091; H04R 1/1082; H04R 1/105; H04R 1/1058

See application file for complete search history.

(56) **References Cited**

U.S. PATENT DOCUMENTS

D487,077 S	*	2/2004	Obata	D14/223
D499,397 S	*	12/2004	Hlas	D14/223
D512,049 S	*	11/2005	Yang	D14/205
D531,169 S	*	10/2006	Tokioka	D14/223
D554,109 S	*	10/2007	Ledbetter	D14/223
D556,741 S	*	12/2007	Yeo	D14/205
D557,689 S	*	12/2007	Huang	D14/223
D566,099 S	*	4/2008	Komiyama	D14/206
D566,687 S	*	4/2008	Duarte	D14/205

D572,242 S	*	7/2008	Yang	D14/205
D572,703 S	*	7/2008	Ledbetter	D14/205
D576,154 S	*	9/2008	Ledbetter	D14/223
D596,616 S	*	7/2009	Andre	D14/205
D618,211 S	*	6/2010	Oguro	D14/205
D623,630 S	*	9/2010	Ohuri	D14/223
D627,765 S	*	11/2010	Zheng	D14/223
D637,181 S	*	5/2011	Fuller	D14/223
D643,417 S	*	8/2011	Lee	D14/223
D666,580 S	*	9/2012	Lee	D14/223
D666,996 S	*	9/2012	Hardi	D14/223
D671,531 S	*	11/2012	Kim	D14/223
D673,531 S	*	1/2013	Lee	D14/223
D678,251 S	*	3/2013	Cantoni	D14/223
D679,267 S	*	4/2013	Lee	D14/223
D681,015 S	*	4/2013	Akana	H04R 1/10 D14/223
D686,597 S	*	7/2013	Lee	D14/223

(Continued)

FOREIGN PATENT DOCUMENTS

EM 007471891-0001 * 1/2020

Primary Examiner — Paula Allen Greene

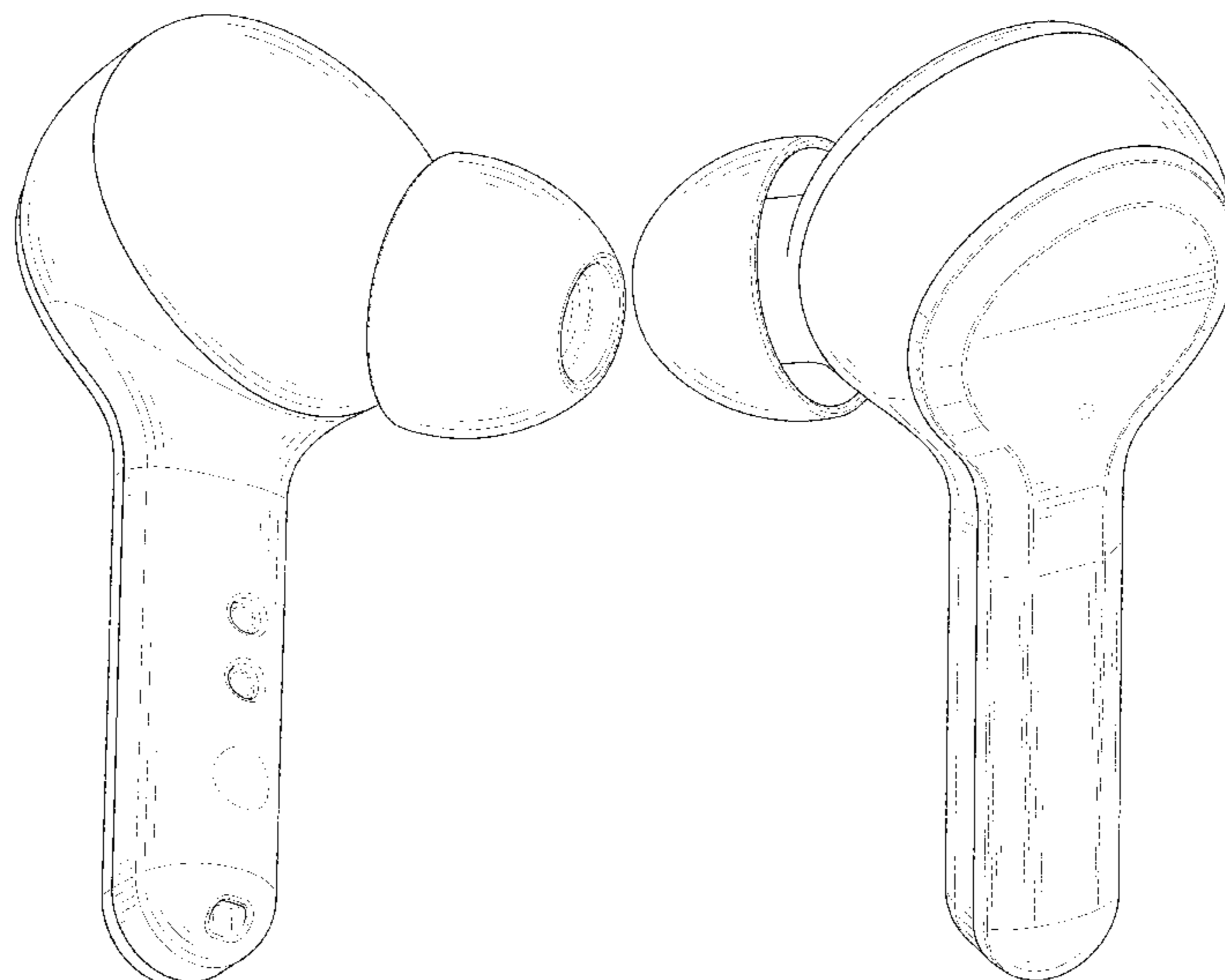
(57) **CLAIM**

The ornamental design for an earphone, as shown and described.

DESCRIPTION

FIG. 1 is a perspective view of an earphone showing my new design;
FIG. 2 is another perspective view thereof;
FIG. 3 is a front elevational view thereof;
FIG. 4 is a rear elevational view thereof;
FIG. 5 is a left side elevational view thereof;
FIG. 6 is a right side elevational view thereof;
FIG. 7 is a top plan view thereof; and,
FIG. 8 is a bottom plan view thereof.
The broken lines in the drawings depict portions of the earphone that form no part of the claimed design.

1 Claim, 8 Drawing Sheets



(56)

References Cited

U.S. PATENT DOCUMENTS

D698,761 S *	2/2014	Bao	D14/223	D829,193 S	9/2018	Cai	
8,712,087 B2 *	4/2014	Ozawa	H04R 1/1016	D830,336 S *	10/2018	Cai D14/205
				381/380	D830,345 S *	10/2018	Cai D14/223
8,831,266 B1 *	9/2014	Huang	H04R 1/2811	D831,619 S *	10/2018	Matoba D14/223
				381/380	D832,823 S *	11/2018	Xiao D14/223
D718,284 S *	11/2014	Shibusawa	D14/223	D832,824 S *	11/2018	Kim D14/223
D718,286 S *	11/2014	Yang	D14/223	D847,125 S *	4/2019	Akana D14/223
D719,548 S *	12/2014	Thompson	D14/223	D847,794 S *	5/2019	Guo D14/223
D719,550 S *	12/2014	Yang	D14/223	D848,980 S *	5/2019	Kim D14/223
9,042,588 B2 *	5/2015	Aase	H04R 1/1041	D848,982 S *	5/2019	Kim D14/223
				381/380	D861,647 S *	10/2019	Chen D14/223
D733,101 S *	6/2015	Pi	D14/223	D864,165 S *	10/2019	Roberts D14/223
D735,699 S *	8/2015	Yasuda	D14/223	D864,169 S *	10/2019	Min D14/223
D742,860 S *	11/2015	Miyake	D14/223	D869,445 S *	12/2019	Hu D14/223
D746,792 S *	1/2016	Kim	D14/205	D875,713 S *	2/2020	Kim D14/205
D757,682 S *	5/2016	Perez	D14/205	D877,722 S *	3/2020	Yang D14/223
D762,196 S *	7/2016	Hsieh	D14/223	D878,337 S *	3/2020	Yang D14/223
D762,616 S *	8/2016	Hsieh	D14/205	D883,960 S *	5/2020	Du D14/223
D773,435 S *	12/2016	Ott	D14/205	D884,682 S *	5/2020	Du D14/223
D774,489 S *	12/2016	Loh Jun Kern	D14/205	D887,396 S *	6/2020	Wang D14/223
D784,298 S *	4/2017	Ozawa	D14/223	D888,691 S *	6/2020	Liu D14/223
D784,962 S *	4/2017	Yang	D14/223	D889,436 S *	7/2020	Zhang D14/223
D796,488 S	9/2017	Yoshimura			D890,138 S *	7/2020	Peng D14/223
D801,314 S *	10/2017	Akana	D14/223	2009/0136074 A1 *	5/2009	Chang H04R 1/06
D802,562 S *	11/2017	Baba	D14/223				381/380
D803,184 S *	11/2017	Loh Jun Kern	D14/205	2012/0003937 A1 *	1/2012	Zhong H04M 1/6066
D813,844 S *	3/2018	Stiff	D14/223				455/41.3
D820,809 S *	6/2018	Akana	D14/205	2012/0237074 A1 *	9/2012	Aase H04R 1/1075
D822,009 S *	7/2018	Matoba	D14/223				381/380
					2013/0004011 A1 *	1/2013	Hayashida H04R 1/345
								381/380
					2020/0068283 A1 *	2/2020	Chou H04R 1/1025

* cited by examiner

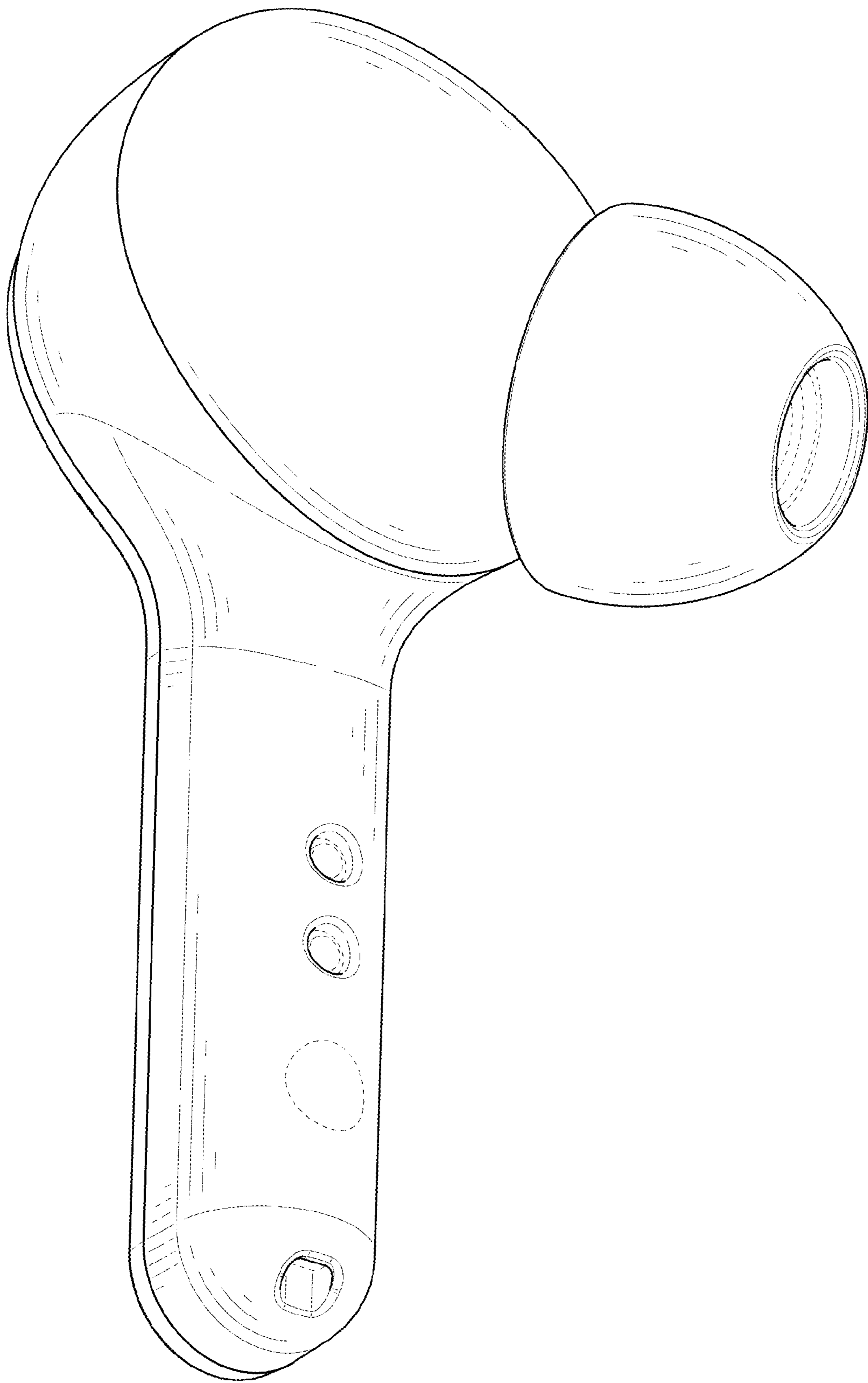


FIG. 1

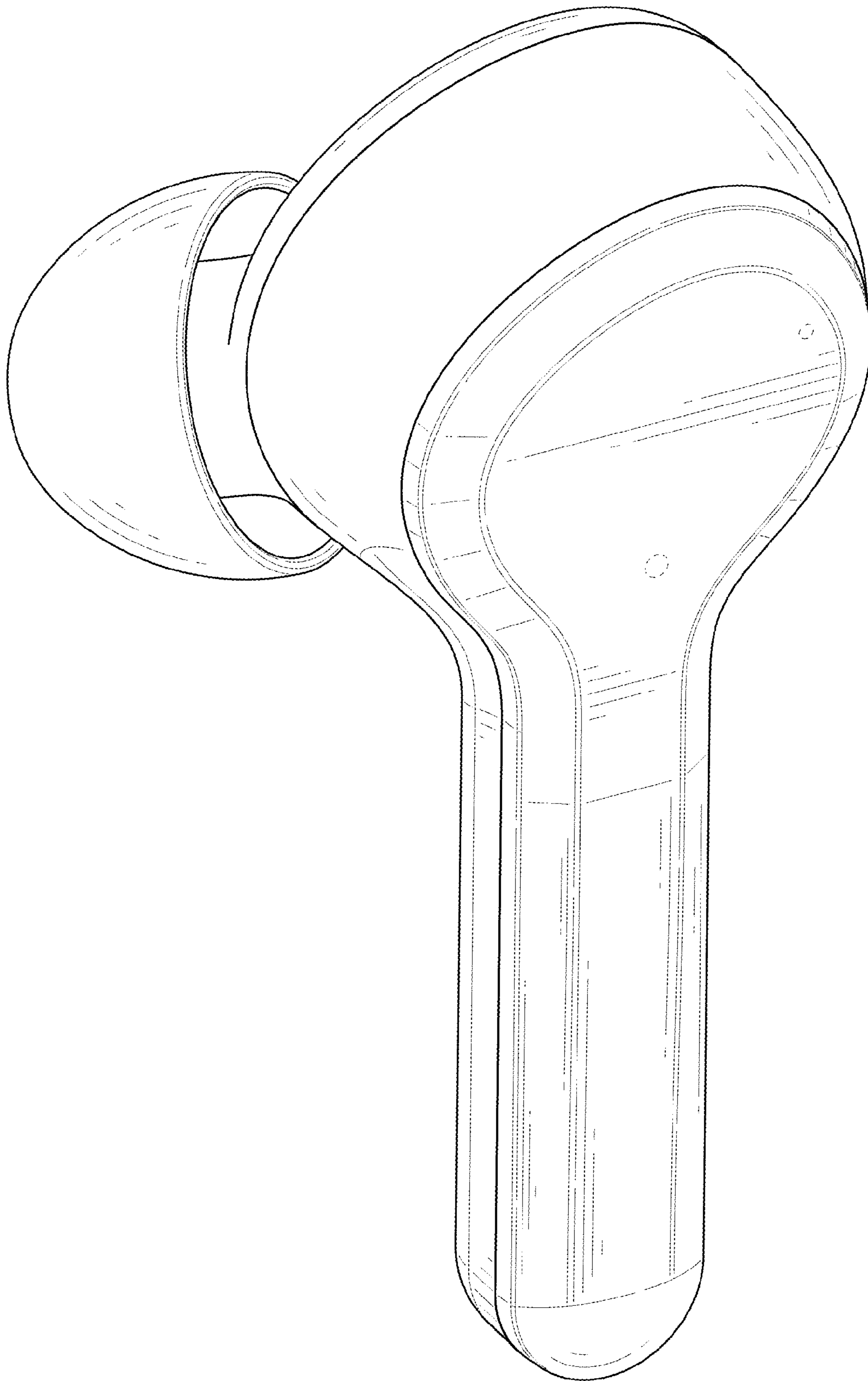


FIG. 2

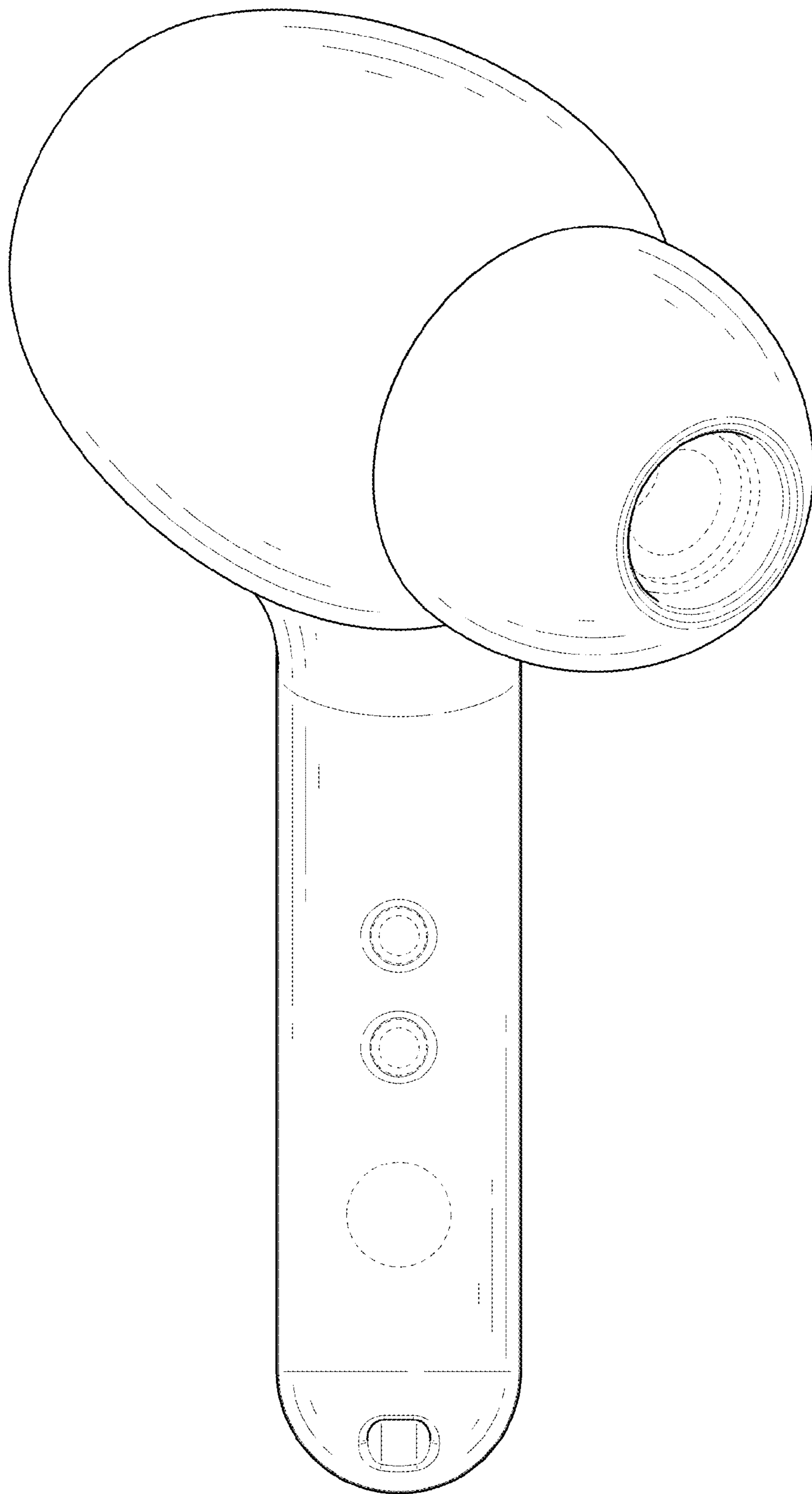


FIG. 3

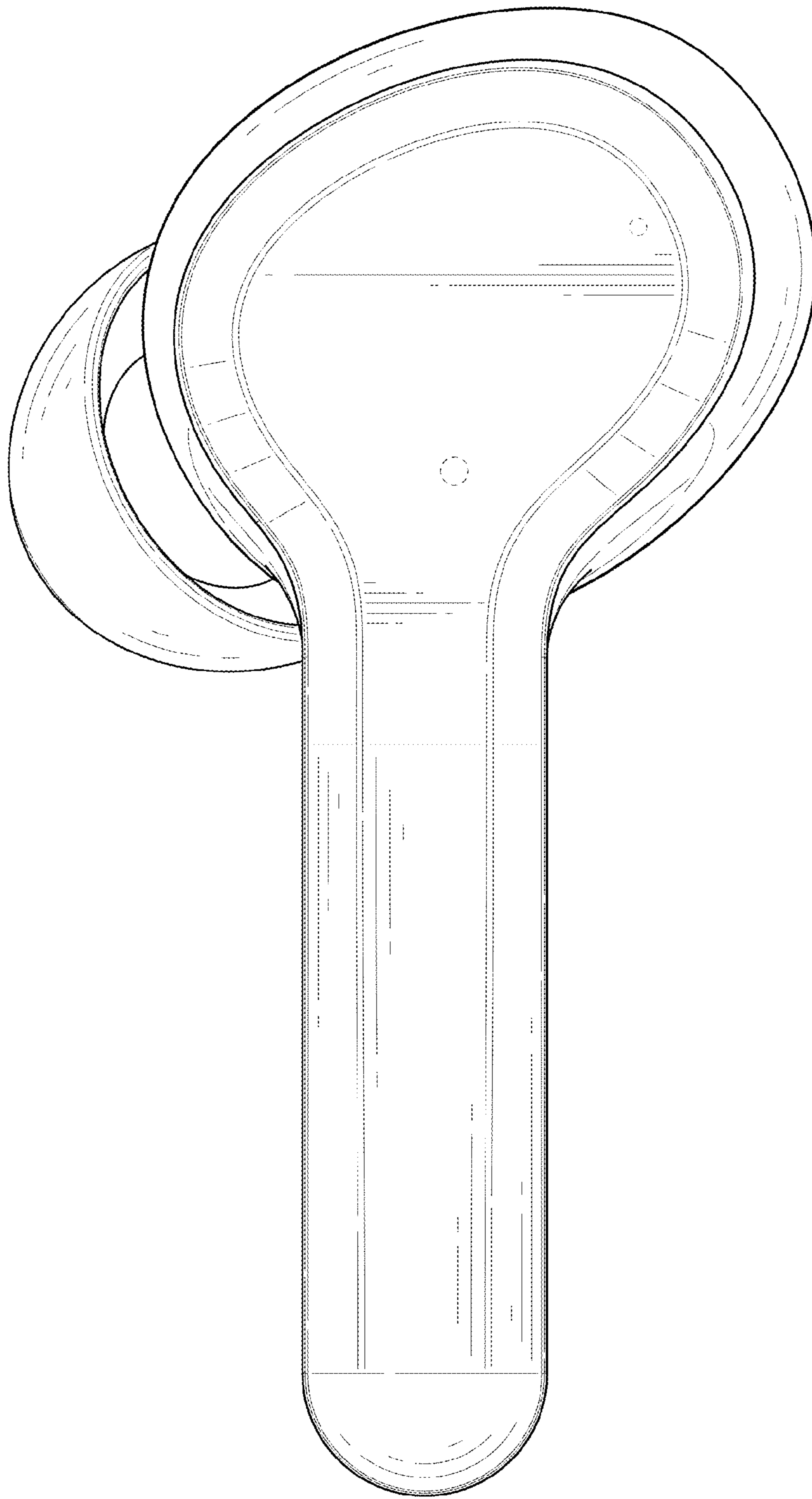


FIG. 4

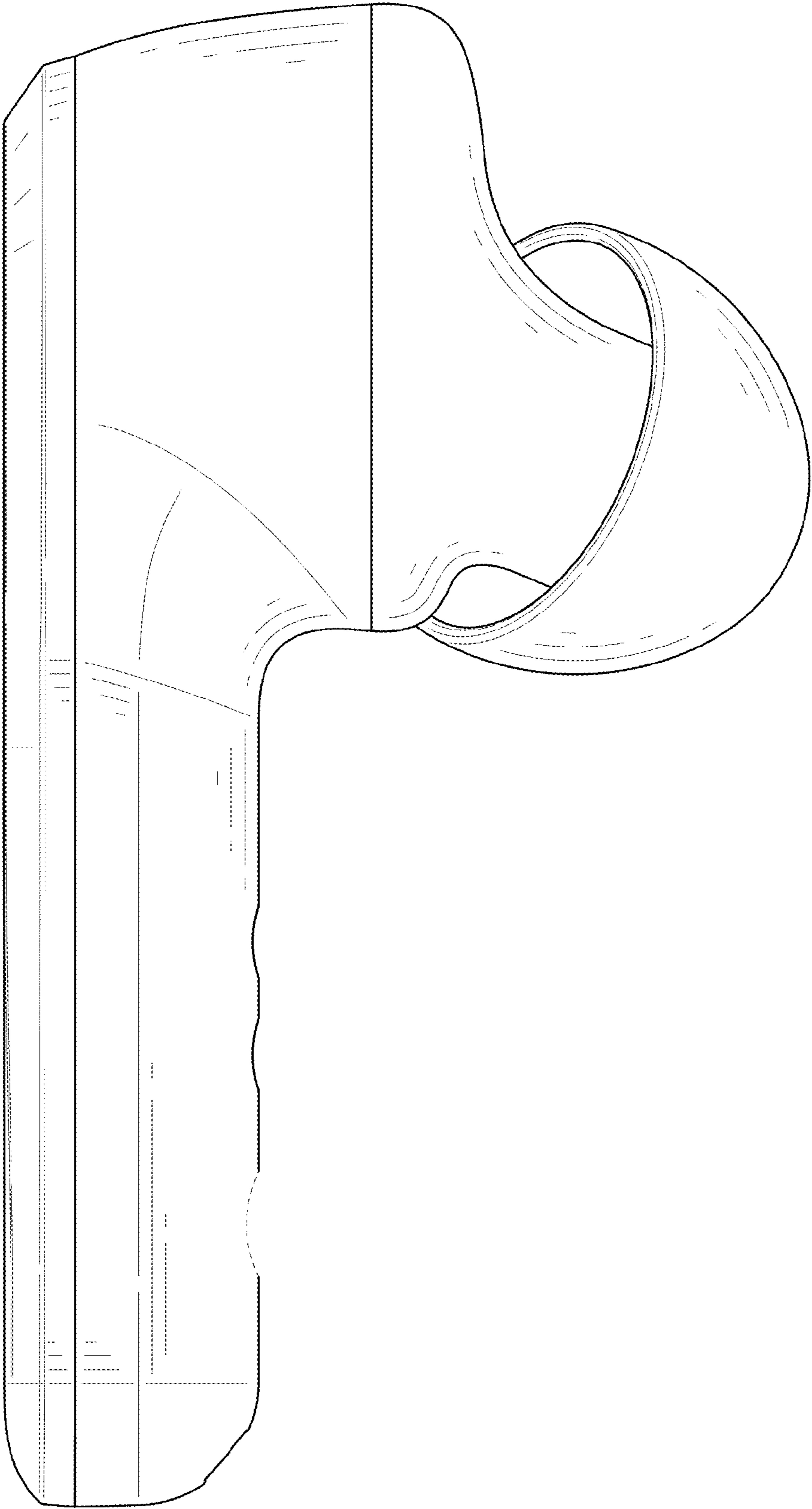


FIG. 5

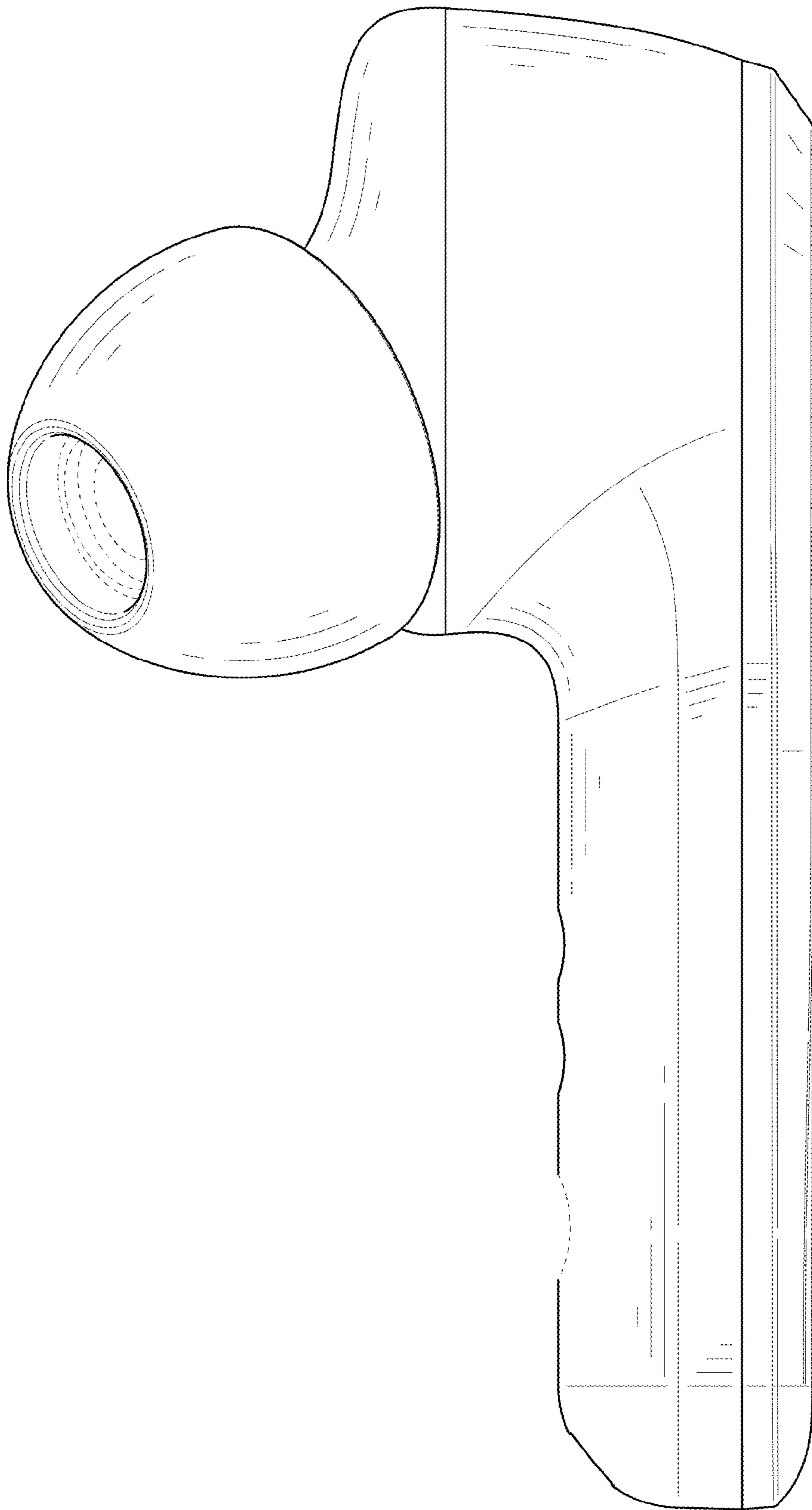


FIG. 6

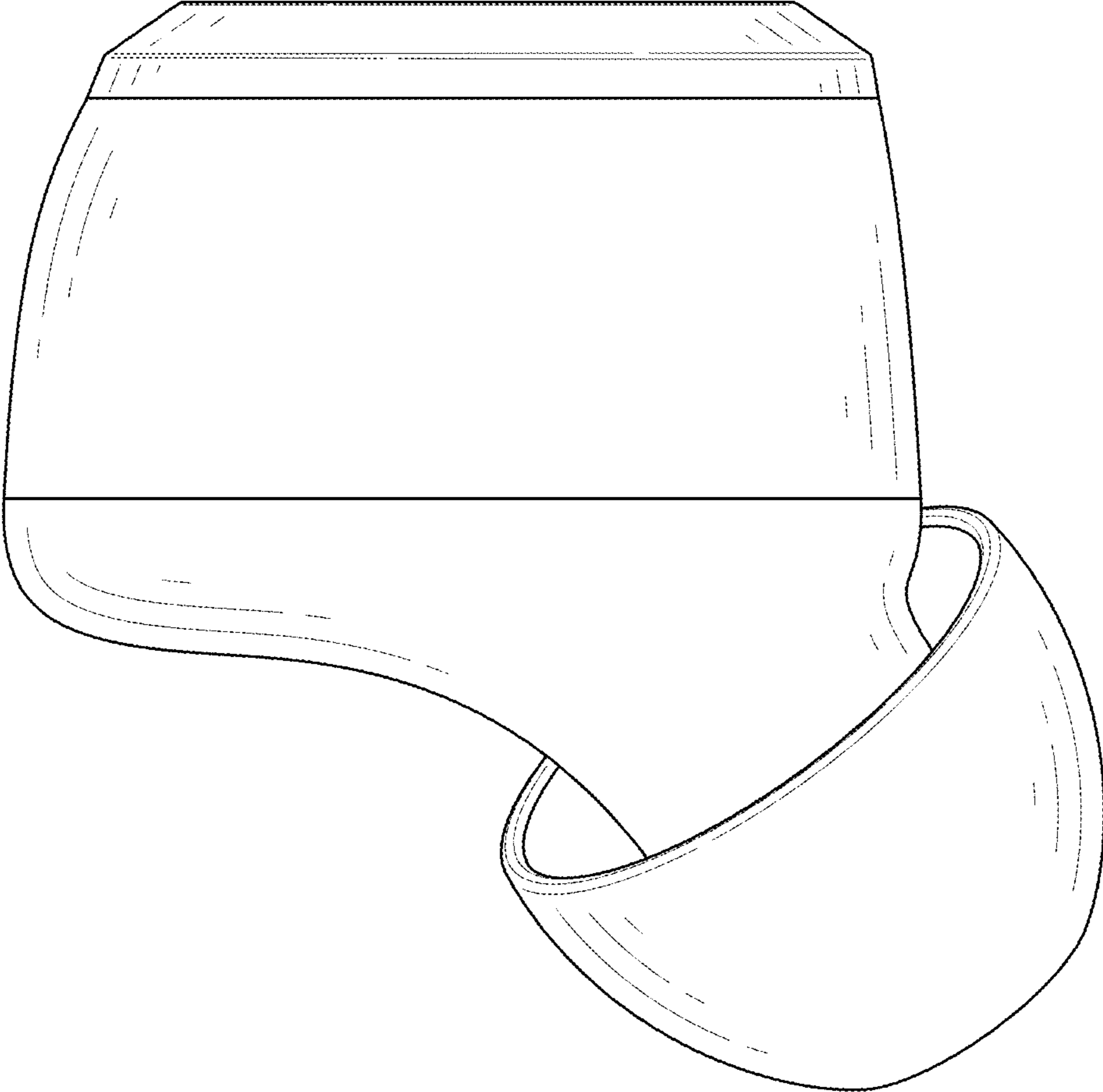


FIG. 7

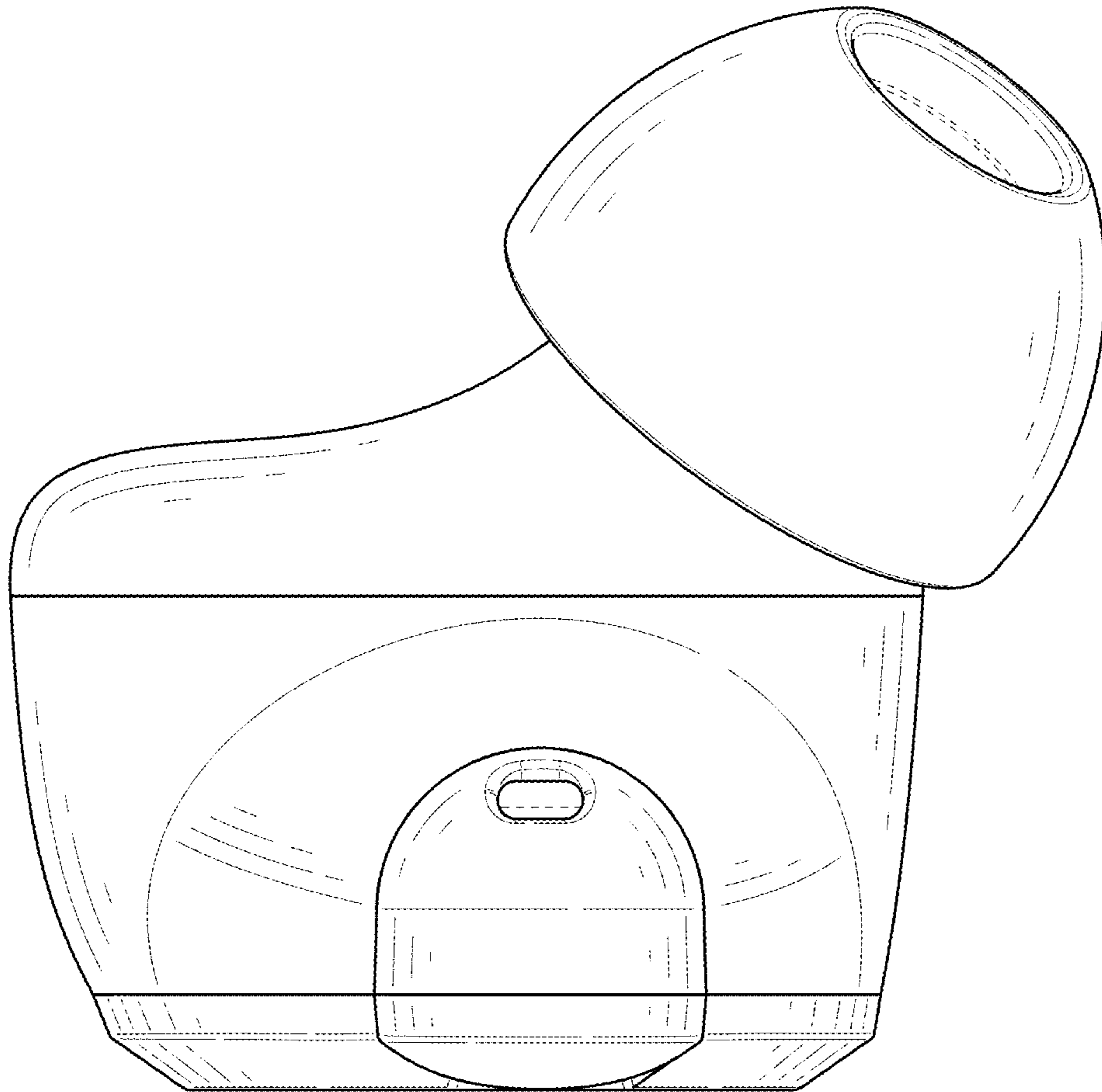


FIG. 8