



US00D896202S

(12) **United States Design Patent**
Mo

(10) **Patent No.:** **US D896,202 S**

(45) **Date of Patent:** **** Sep. 15, 2020**

(54) **EARPHONE**

(71) Applicant: **Mingduan Mo**, Guangdong (CN)

(72) Inventor: **Mingduan Mo**, Guangdong (CN)

(**) Term: **15 Years**

(21) Appl. No.: **29/730,984**

(22) Filed: **Apr. 10, 2020**

(51) **LOC (12) Cl.** **14-01**

(52) **U.S. Cl.**
USPC **D14/205**

(58) **Field of Classification Search**
USPC D14/205, 223; 381/380, 381, 370, 374;
455/90.3, 575.1, 569.1

CPC H04R 1/10; H04R 25/00; H04R 1/1016;
H04R 1/1066; H04R 5/033; H04R
5/0335; H04R 1/1041; H04R 1/1033

See application file for complete search history.

(56) **References Cited**

U.S. PATENT DOCUMENTS

6,122,369	A	*	9/2000	Hwang	H04M 1/6058 379/420.04
D514,551	S	*	2/2006	Lee	D14/205
D515,070	S	*	2/2006	Andre	D14/205
D523,846	S	*	6/2006	Lee	D14/205
D542,782	S	*	5/2007	Pena Angarita	D14/223
D555,152	S	*	11/2007	Wang	D14/223
D557,689	S	*	12/2007	Huang	D14/223
D564,495	S	*	3/2008	Sasaki	D14/205
D568,291	S	*	5/2008	Andre	D14/205
D572,242	S	*	7/2008	Yang	D14/205
D573,978	S	*	7/2008	Ledbetter	D14/205
D576,154	S	*	9/2008	Ledbetter	D14/223
D584,284	S	*	1/2009	Carr	D14/206
D589,491	S	*	3/2009	Andre	D14/205
D591,721	S	*	5/2009	Densho	D14/205
D593,537	S	*	6/2009	Arimoto	D14/205
D599,330	S	*	9/2009	Andre	D14/223
D606,980	S	*	12/2009	Bradford	D14/218
D618,219	S	*	6/2010	Burgett	D14/223

D632,680	S	*	2/2011	Anneback	D14/228
D641,728	S	*	7/2011	Chiu	D14/207
D641,738	S	*	7/2011	Perez	D14/223

(Continued)

FOREIGN PATENT DOCUMENTS

EM	007809470-0001	*	4/2020
EM	007810056-0003	*	4/2020
EM	007810056-0008	*	4/2020

OTHER PUBLICATIONS

Wireless Earbuds,Coobetter Bluetooth Earphones Noise Canceling Headset V5.0 Stereo Waterproof Headphones Sport Bluetooth Headphones in Ear with Mini Charging Case and Integrated Microphone(White) https://www.amazon.com/Coobetter-Waterproof-Headphones-Integrated-Microphone/dp/B082DGG1FC/ref=sr_1_87?crid=TZYBHMU4A51C&dchild=1&keywords=wireless+earbuds&qid=1584841567&srefix=wireless+%2Caps%2C380&sr=8-87.

(Continued)

Primary Examiner — Paula Allen Greene

(57) **CLAIM**

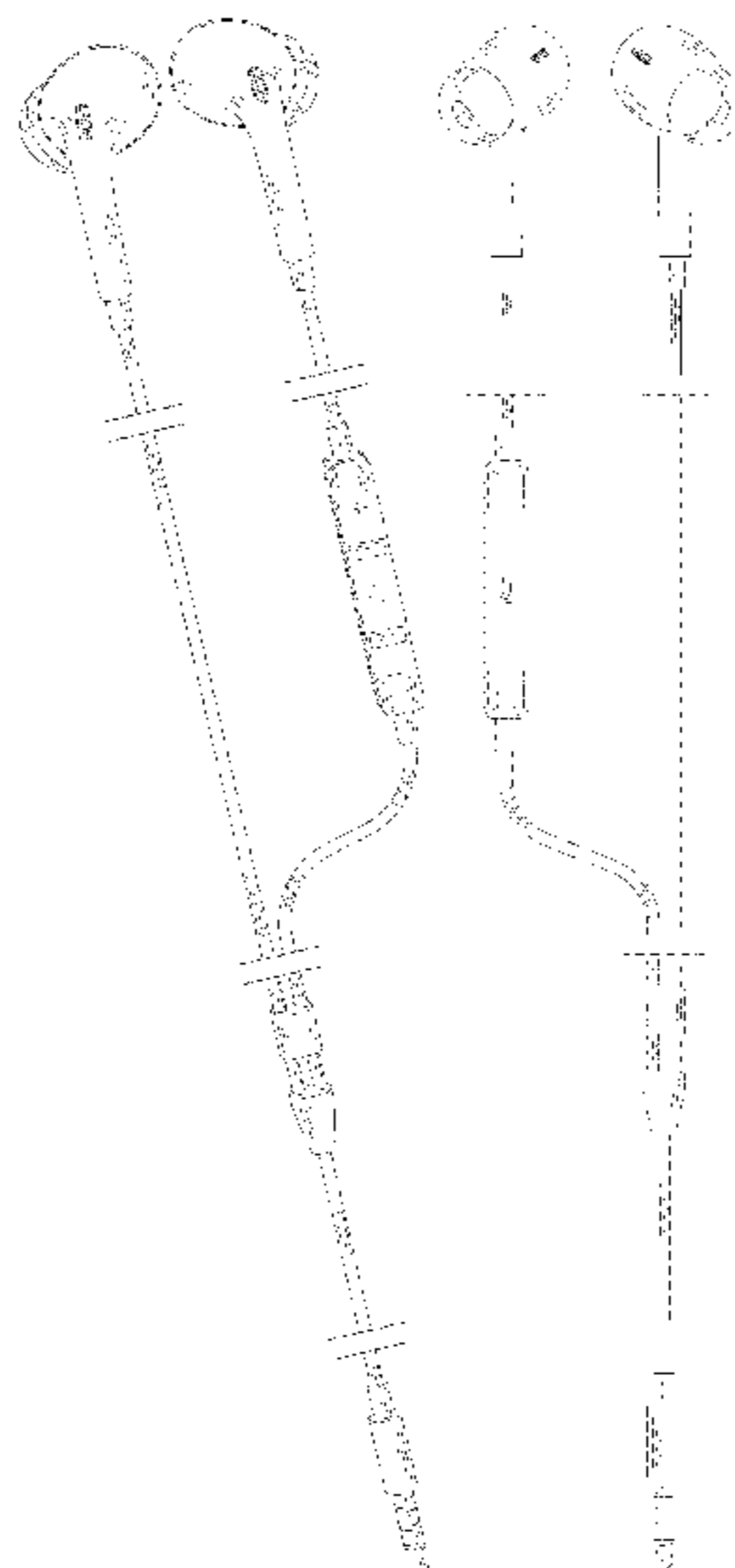
The ornamental design for an earphone, as shown and described.

DESCRIPTION

FIG. 1 is a perspective view of an earphone showing my new design;
FIG. 2 is a front elevational view thereof;
FIG. 3 is a rear elevational view thereof;
FIG. 4 is a left side elevational view thereof;
FIG. 5 is a right side elevational view thereof;
FIG. 6 is a top plan view thereof; and,
FIG. 7 is a bottom plan view thereof.

The earphone cords are drawn with symbolic breaks in their lengths. The appearance of any portion of the article between the break lines form no part of the claimed design.

1 Claim, 7 Drawing Sheets



(56)

References Cited

U.S. PATENT DOCUMENTS

D652,823 S * 1/2012 Chen H04R 25/00
D14/223
D653,235 S * 1/2012 McManigal D14/205
D653,244 S * 1/2012 Birger D14/223
D656,481 S * 3/2012 McManigal D14/205
8,144,915 B2 * 3/2012 Hankey H01H 9/0228
381/370
8,218,808 B2 * 7/2012 Xu H04R 1/1033
381/370
8,290,193 B2 * 10/2012 Pang H04R 1/1033
381/370
8,314,354 B2 * 11/2012 Prest H01H 13/7057
200/406
D681,015 S * 4/2013 Akana H04R 1/1016
D14/223
8,447,062 B2 * 5/2013 Lin H04R 1/1033
381/370
D694,220 S * 11/2013 Lee D14/223
8,743,533 B2 * 6/2014 Stanley H01H 9/0228
361/679.01
D711,857 S * 8/2014 Burgett D14/223
D718,284 S * 11/2014 Shibusawa D14/223
9,031,264 B2 * 5/2015 Yang H04R 1/1033
381/189
D733,101 S * 6/2015 Pi D14/223
D733,689 S * 7/2015 Narita D14/223
D738,864 S * 9/2015 Lee D14/223
D741,287 S * 10/2015 Harata D14/205
D757,682 S * 5/2016 Perez D14/205

D801,314 S * 10/2017 Akana D14/223
D817,920 S 5/2018 Paschke et al.
D820,809 S * 6/2018 Akana D14/205
D822,643 S * 7/2018 Chen D14/218
D830,336 S * 10/2018 Cai D14/205
10,101,825 B2 * 10/2018 Fang G06F 3/03545
D832,823 S * 11/2018 Xiao D14/223
D832,824 S * 11/2018 Kim D14/223
D843,354 S 3/2019 Kumano
D847,125 S * 4/2019 Akana D14/223
D848,981 S 5/2019 Kim et al.
D849,720 S 5/2019 Houle
D856,307 S * 8/2019 Maeda D14/218
D864,169 S 10/2019 Min et al.
D875,069 S * 2/2020 Peralta D14/205
D875,071 S * 2/2020 Wei D14/205
D875,709 S * 2/2020 Yuanfa D14/205
D881,165 S * 4/2020 Lee D14/223
D881,166 S * 4/2020 Lee D14/223
D882,545 S * 4/2020 Li D14/205
D885,373 S * 5/2020 Lundback D14/223
2016/0142808 A1 * 5/2016 Monahan H04R 5/033
381/384

OTHER PUBLICATIONS

AmazonBasics In-Ear Wired Headphones, Earbuds with Micro-
phone, Black https://www.amazon.com/AmazonBasics-Ear-Headphones-Mic-Black/dp/B07HH1QSLB/ref=sr_1_4?dchild=1&keywords=earphones&qid=1586499634&sr=8-4.

* cited by examiner

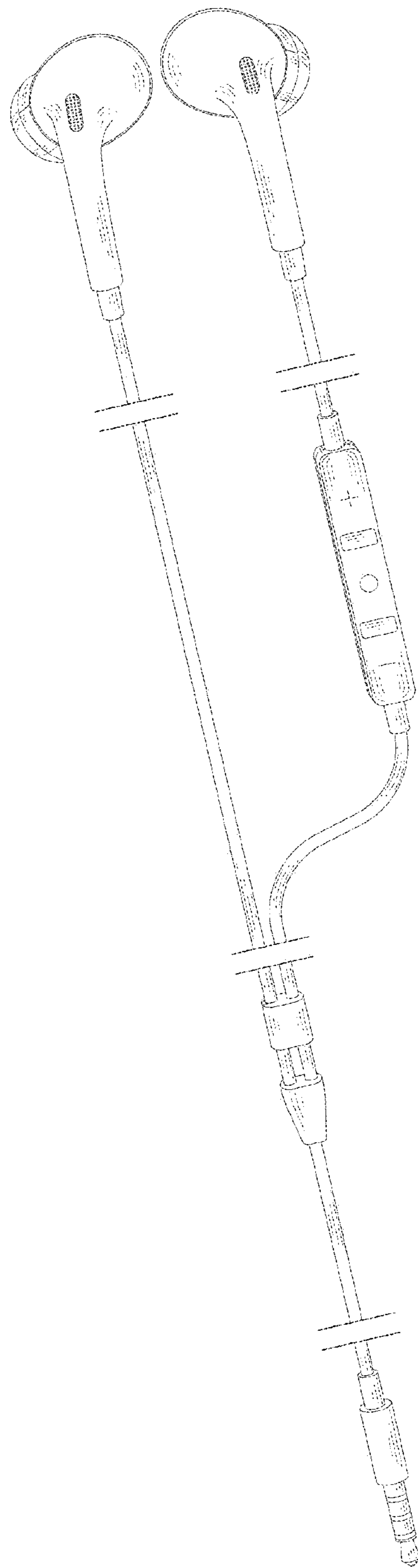


FIG.1

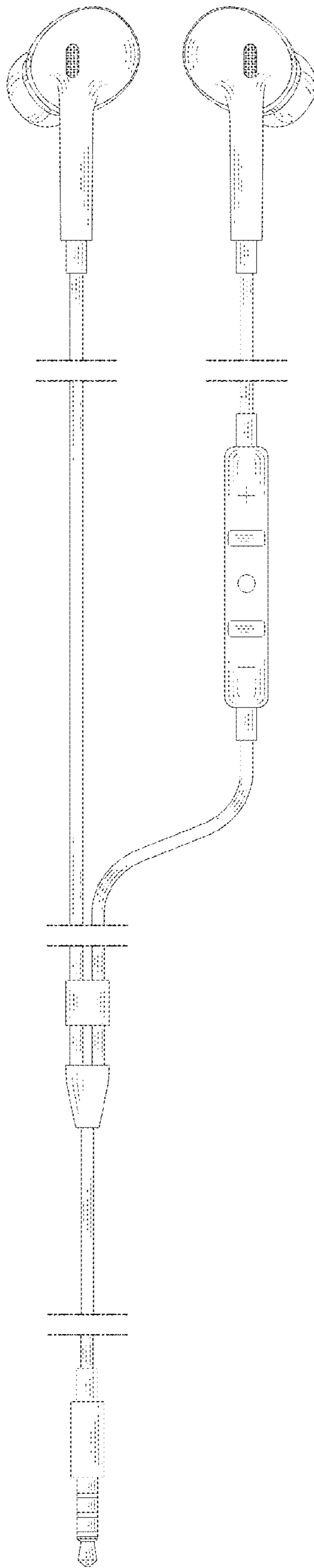


FIG.2

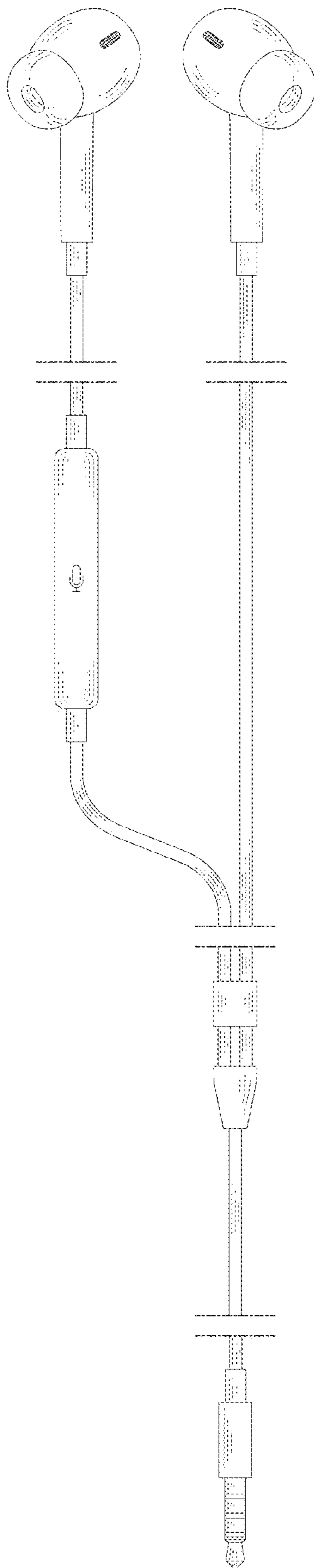


FIG.3

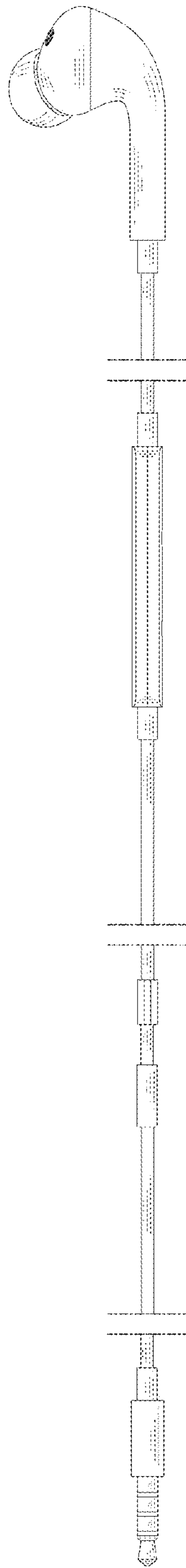


FIG. 4

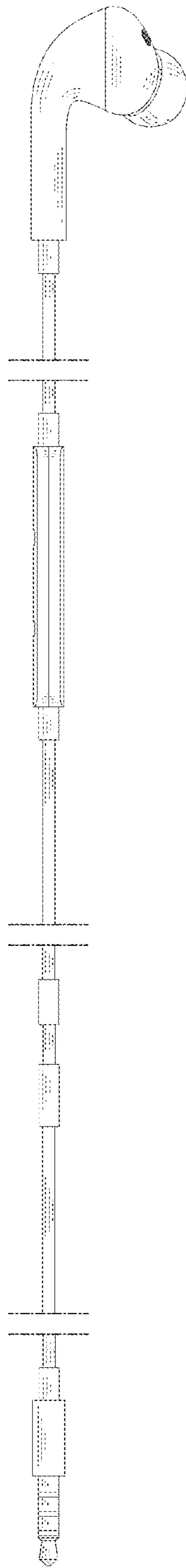


FIG.5

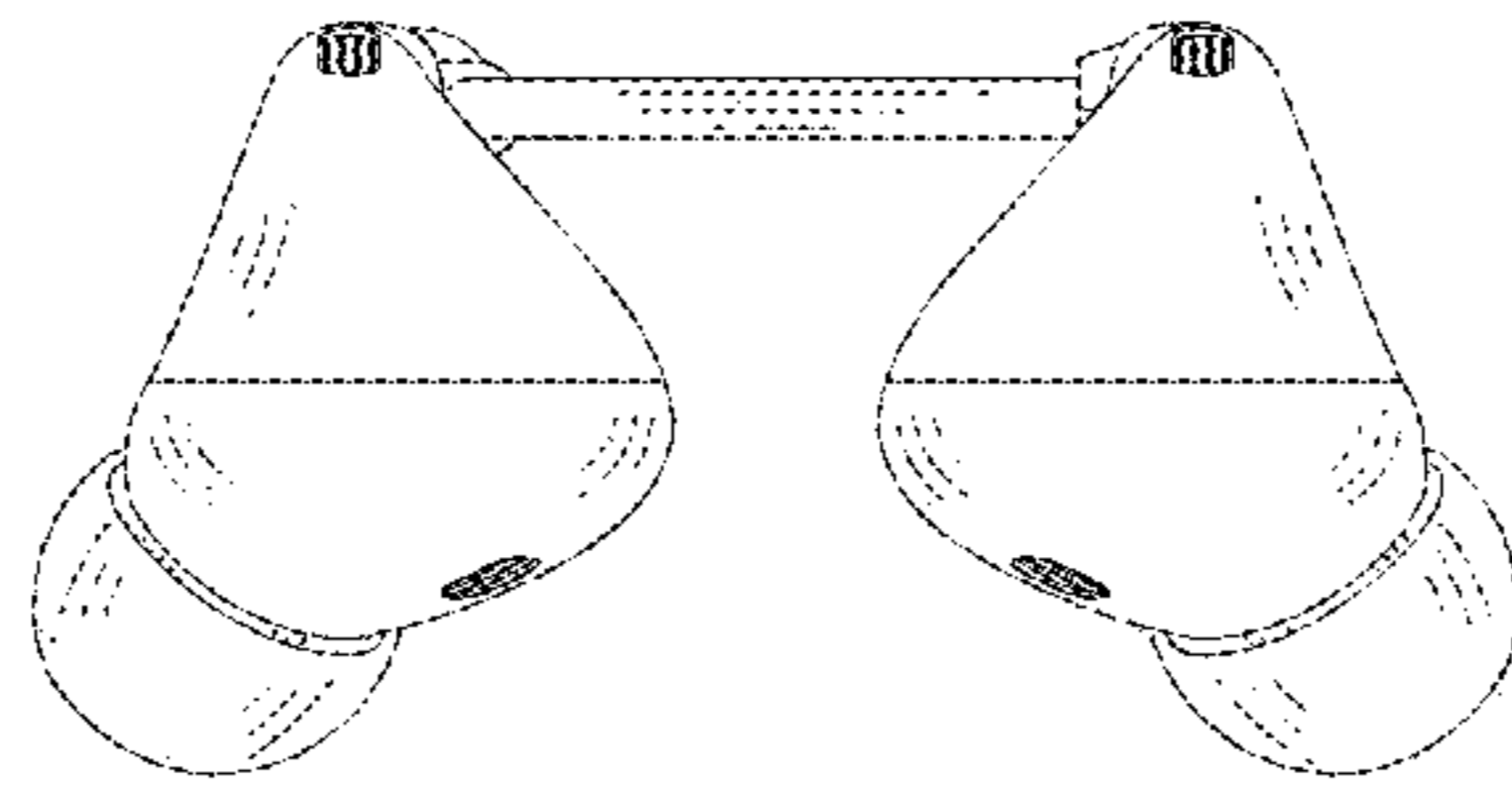


FIG.6

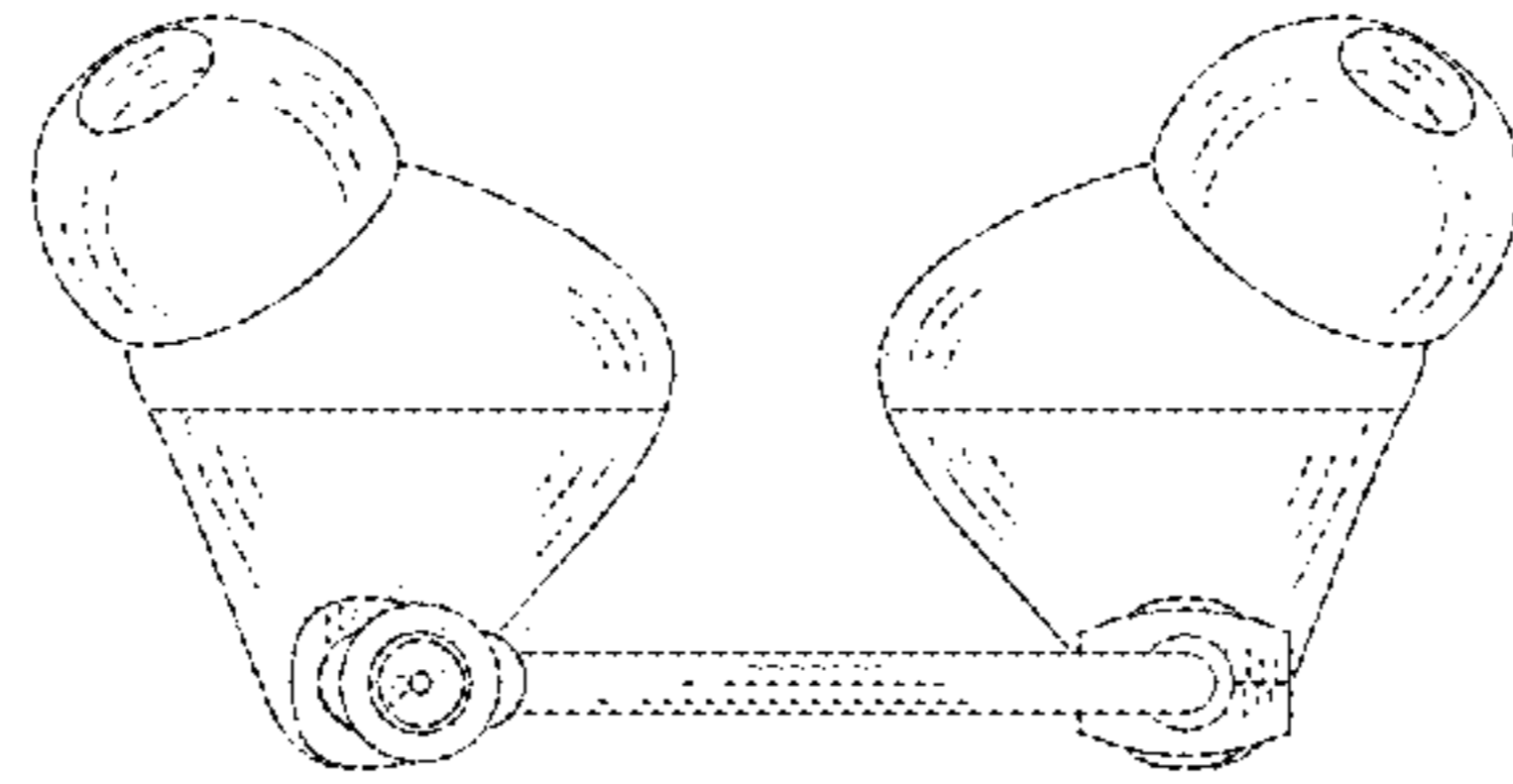


FIG.7