



US00D896199S

(12) **United States Design Patent**  
**Rodriguez et al.**

(10) **Patent No.:** **US D896,199 S**

(45) **Date of Patent:** **\*\* Sep. 15, 2020**

(54) **SPEAKERPHONE**

(71) Applicant: **Polycom, Inc.**, San Jose, CA (US)

(72) Inventors: **Hector Rodriguez**, Austin, TX (US);  
**Nathan Yang**, Austin, TX (US);  
**Anthony Martin Duys**, Merrimac, MA (US);  
**Yanlin Zhu**, Austin, TX (US)

(73) Assignee: **Polycom, Inc.**, San Jose, CA (US)

(\*\*) Term: **15 Years**

(21) Appl. No.: **29/686,353**

(22) Filed: **Apr. 3, 2019**

**Related U.S. Application Data**

(62) Division of application No. 29/649,680, filed on May 31, 2018, now Pat. No. Des. 851,617.

(51) **LOC (12) Cl.** ..... **14-03**

(52) **U.S. Cl.**  
USPC ..... **D14/151**

(58) **Field of Classification Search**  
USPC ... D14/140, 140.1, 140.7, 140.8, 141.2, 142,  
D14/144, 147, 148, 149, 150, 151, 158,  
D14/159, 188, 217, 240, 243, 247, 248,  
D14/251, 299, 329, 462, 467, 471, 130,  
D14/403, 338, 330; D21/517; D24/165  
CPC ..... H04M 1/00; H04M 1/003; H04M 1/02;  
H04M 1/0289; H04M 1/0297; H04M  
1/0214; H04M 1/03; H04M 1/23; H04M  
1/253; H04M 1/2535; H04M 7/006  
See application file for complete search history.

(56) **References Cited**

**U.S. PATENT DOCUMENTS**

D282,655 S	2/1986	Kaku
D291,567 S	8/1987	Read et al.
D292,090 S	9/1987	Shintomi
D293,783 S	1/1988	Martinez
D296,437 S	6/1988	Martinez

D298,618 S	11/1988	Martinez
D299,456 S	1/1989	Kuo
D301,475 S	6/1989	Nagele
D303,114 S	8/1989	Danielson
D307,009 S	4/1990	Boykiw

(Continued)

**OTHER PUBLICATIONS**

Grandstream GXV3175 a Solid IP Multimedia Value. blo.tmcnet.com (online) 3 pgs. Posted Dec. 13, 2010 [retrieved on Jun. 28, 2018] <http://blog.tmcnet.com/blog/rich-tehrani/ip-communications/grandstream-gvx3175-a-solid-ip-multimedia-value.html>.

*Primary Examiner* — Marie D. Fast Horse

(74) *Attorney, Agent, or Firm* — Blank Rome, LLP

(57) **CLAIM**

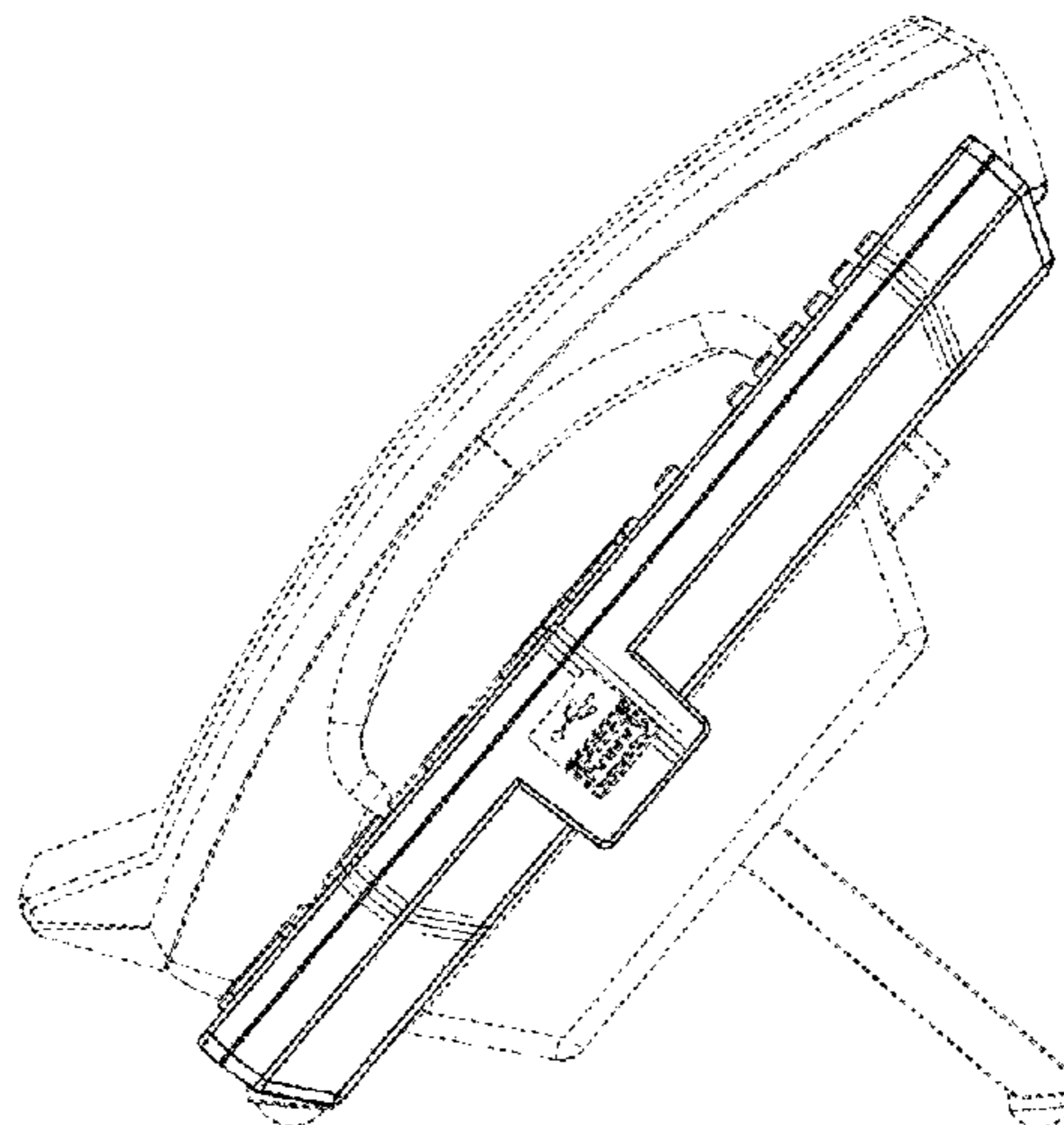
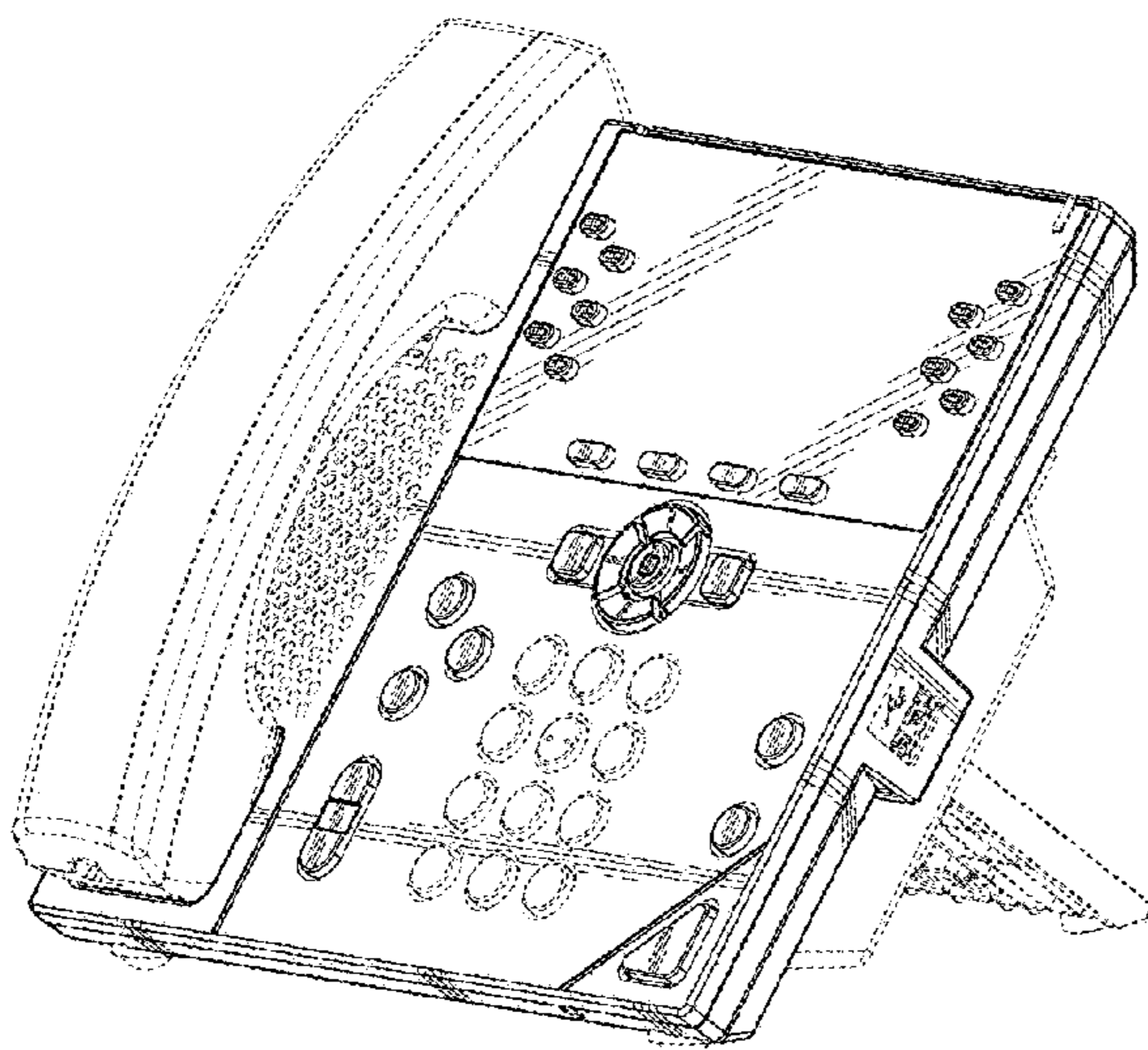
We claim the ornamental design for a speakerphone, as shown and described.

**DESCRIPTION**

FIG. 1 is a perspective view of a first embodiment of a speakerphone, showing our new design; FIG. 2 is a front elevational view thereof; FIG. 3 is a rear elevational view thereof; FIG. 4 is a right side elevational view thereof; FIG. 5 is a left side elevational view thereof; FIG. 6 is a top plan view thereof; and FIG. 7 is a bottom plan view thereof; FIG. 8 is a perspective view of a second embodiment of a speakerphone, showing our new design; FIG. 9 is a front elevational view thereof; FIG. 10 is a rear elevational view thereof; FIG. 11 is a right side elevational view thereof; FIG. 12 is a left side elevational view thereof; FIG. 13 is a top plan view thereof; and, FIG. 14 is a bottom plan view thereof.

The broken lines depict portions of the speakerphone that form no part of the claimed design.

**1 Claim, 14 Drawing Sheets**



(56)

References Cited

U.S. PATENT DOCUMENTS

D311,398 S	10/1990	Sugano		D581,897 S	12/2008	Katori	
D318,469 S	7/1991	Joffe		D585,397 S	1/2009	Hwang	
D323,657 S	2/1992	Danielson et al.		D604,258 S	11/2009	Rinaldi et al.	
D324,036 S	2/1992	Wakasa		D608,759 S	1/2010	Chun	
D330,028 S	10/1992	Gagnon		D615,066 S	5/2010	Huang et al.	
D356,087 S	3/1995	Jarrett		D620,464 S	7/2010	Quiros et al.	
5,432,836 A	7/1995	Jarrett		D620,472 S	7/2010	Robinson et al.	
D366,484 S	1/1996	Levin		D629,381 S	12/2010	Verthein et al.	
D368,091 S	3/1996	Yoshihiko		D636,769 S	4/2011	Wood et al.	
5,862,214 A	1/1999	Aggus		D653,646 S	2/2012	Hovdal	
D410,229 S	5/1999	Chiocchi		D654,074 S	2/2012	Wood et al.	
D411,987 S	7/1999	Mizusugi et al.		D657,773 S	4/2012	Corsini et al.	
D412,171 S	7/1999	Girardi		D658,616 S	5/2012	Van Der Flier et al.	
D427,985 S *	7/2000	Takayama .....	D14/151	D658,627 S	5/2012	Katori	
D433,677 S	11/2000	Tsuge		D668,901 S	10/2012	Jones et al.	
D435,040 S	12/2000	Shen		D675,592 S	2/2013	Fuxen	
D457,509 S	5/2002	Ohwada		D686,184 S	7/2013	Takahata et al.	
D472,227 S	3/2003	Takayama		D723,502 S	3/2015	Chun	
D479,517 S	9/2003	Weidinger		D725,623 S	3/2015	Hartmann et al.	
D489,700 S *	5/2004	Hillenmayer .....	D14/151	D738,845 S	9/2015	Kwak	
D490,795 S	6/2004	Watanabe		D744,464 S	12/2015	Snyder et al.	
D512,703 S	12/2005	Ookawa		D753,624 S	4/2016	Ji	
D529,477 S	10/2006	Hsu		D757,677 S	5/2016	Hutt et al.	
D535,277 S *	1/2007	Mamizuka .....	D14/151	D763,219 S	8/2016	Engelke et al.	
D552,071 S	10/2007	Park et al.		D767,527 S	9/2016	Hillenmayer	
D555,143 S	11/2007	Chou		D776,655 S	1/2017	Chen	
D556,180 S	11/2007	Udagawa		D783,569 S	4/2017	Kwak	
D556,181 S	11/2007	Liu		D784,283 S	4/2017	Snyder et al.	
D558,180 S	12/2007	Daly		D788,737 S *	6/2017	Takei .....	D14/151
D558,727 S	1/2008	Daly		D835,060 S	12/2018	Peng	
D558,729 S	1/2008	Daly		D835,599 S	12/2018	Peng	
D565,020 S	3/2008	Daly		D848,391 S *	5/2019	Li .....	D14/151
				D851,617 S *	6/2019	Rodriguez .....	D14/151
				2008/0240416 A1	10/2008	Abramson	
				2011/0216898 A1	9/2011	Huang	

\* cited by examiner

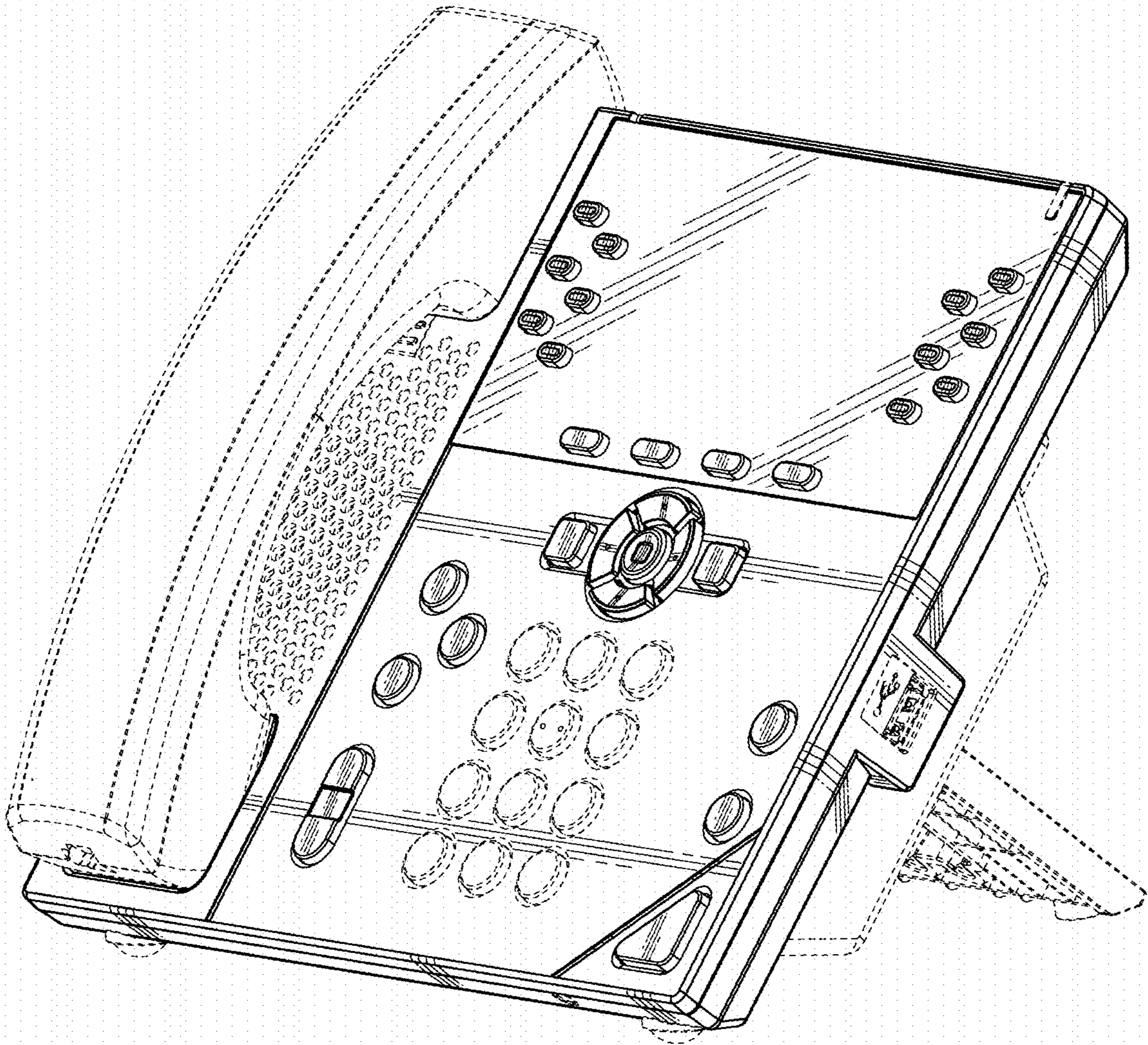


FIG. 1

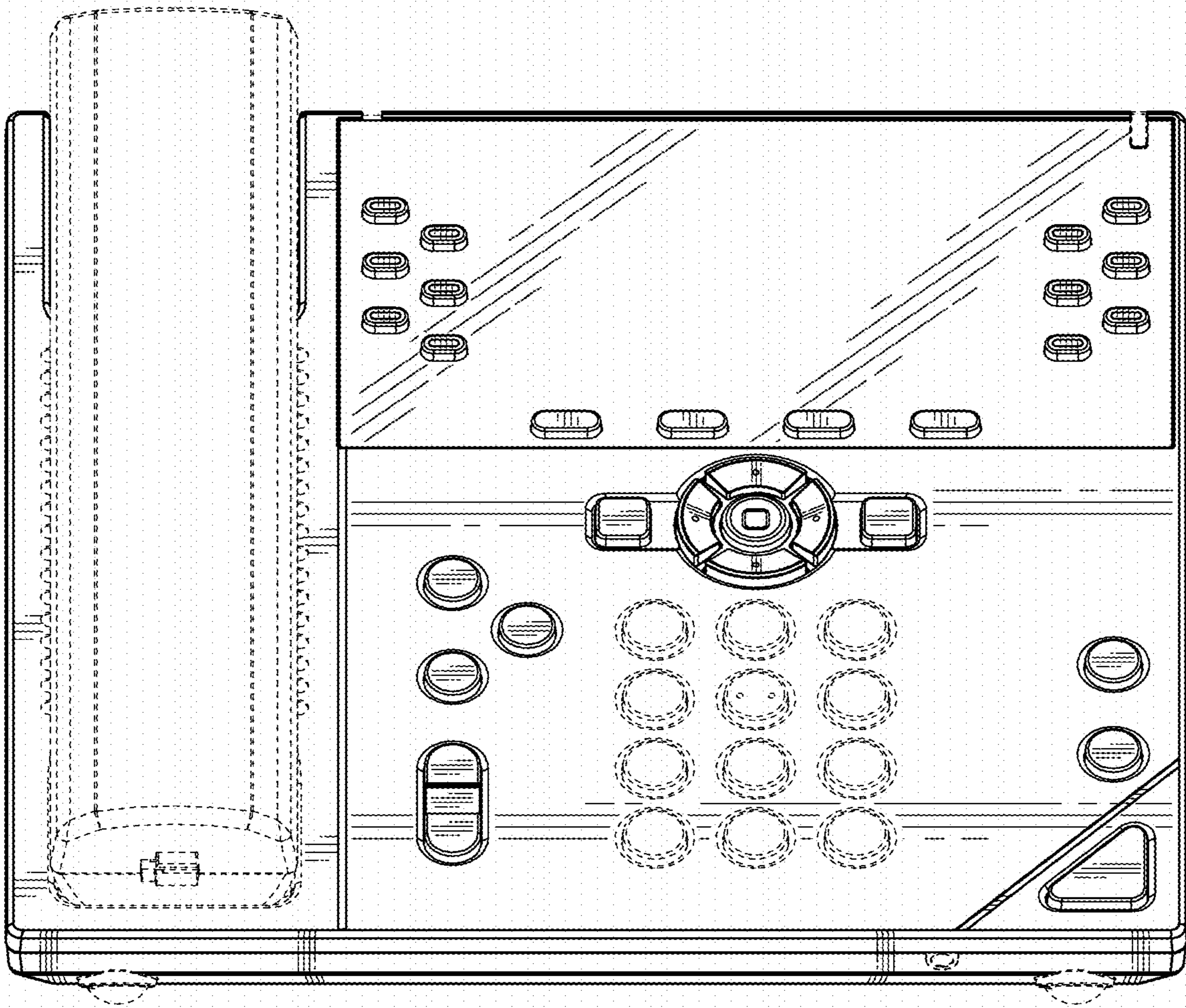


FIG. 2

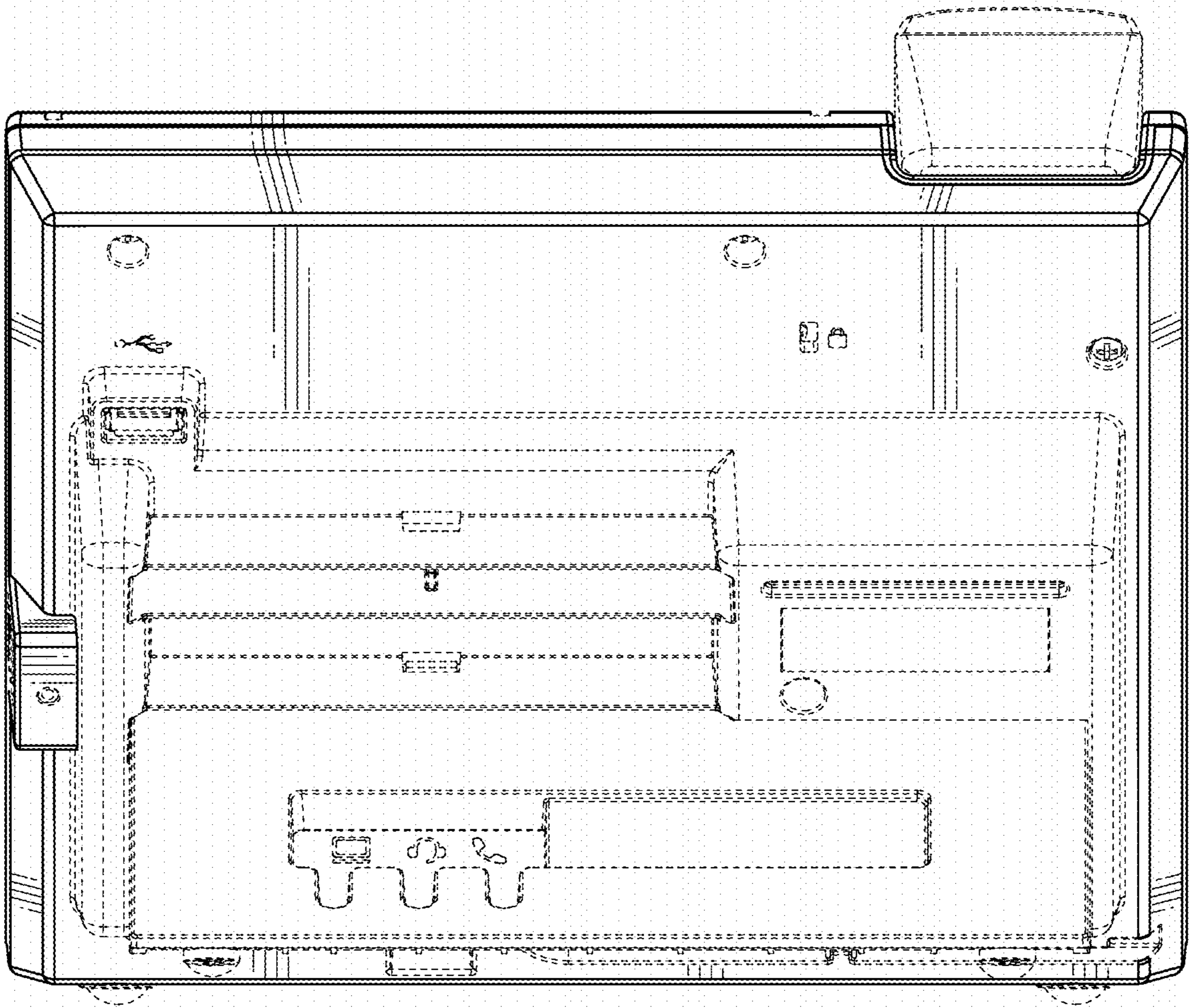


FIG. 3

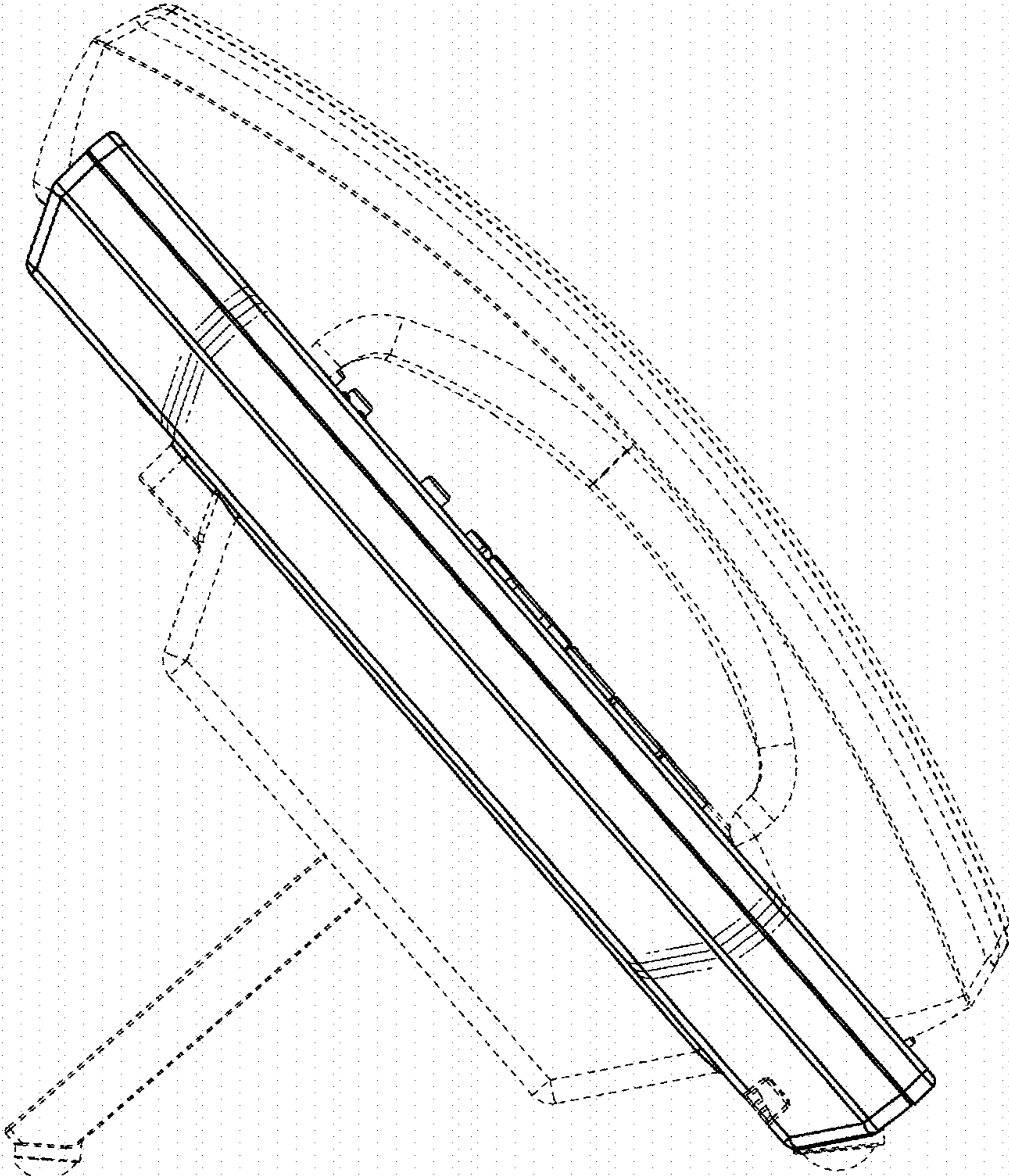


FIG. 4

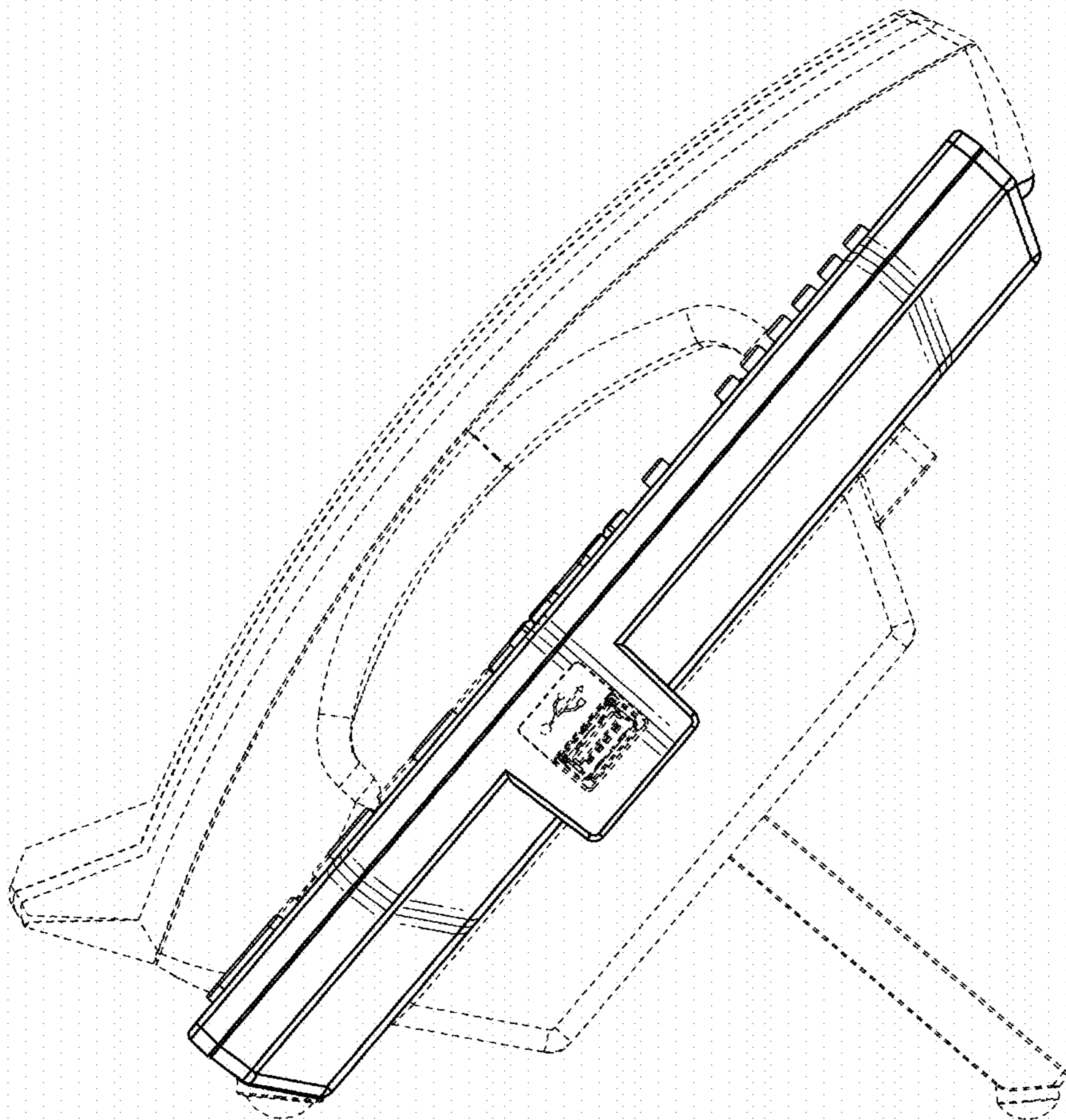


FIG. 5

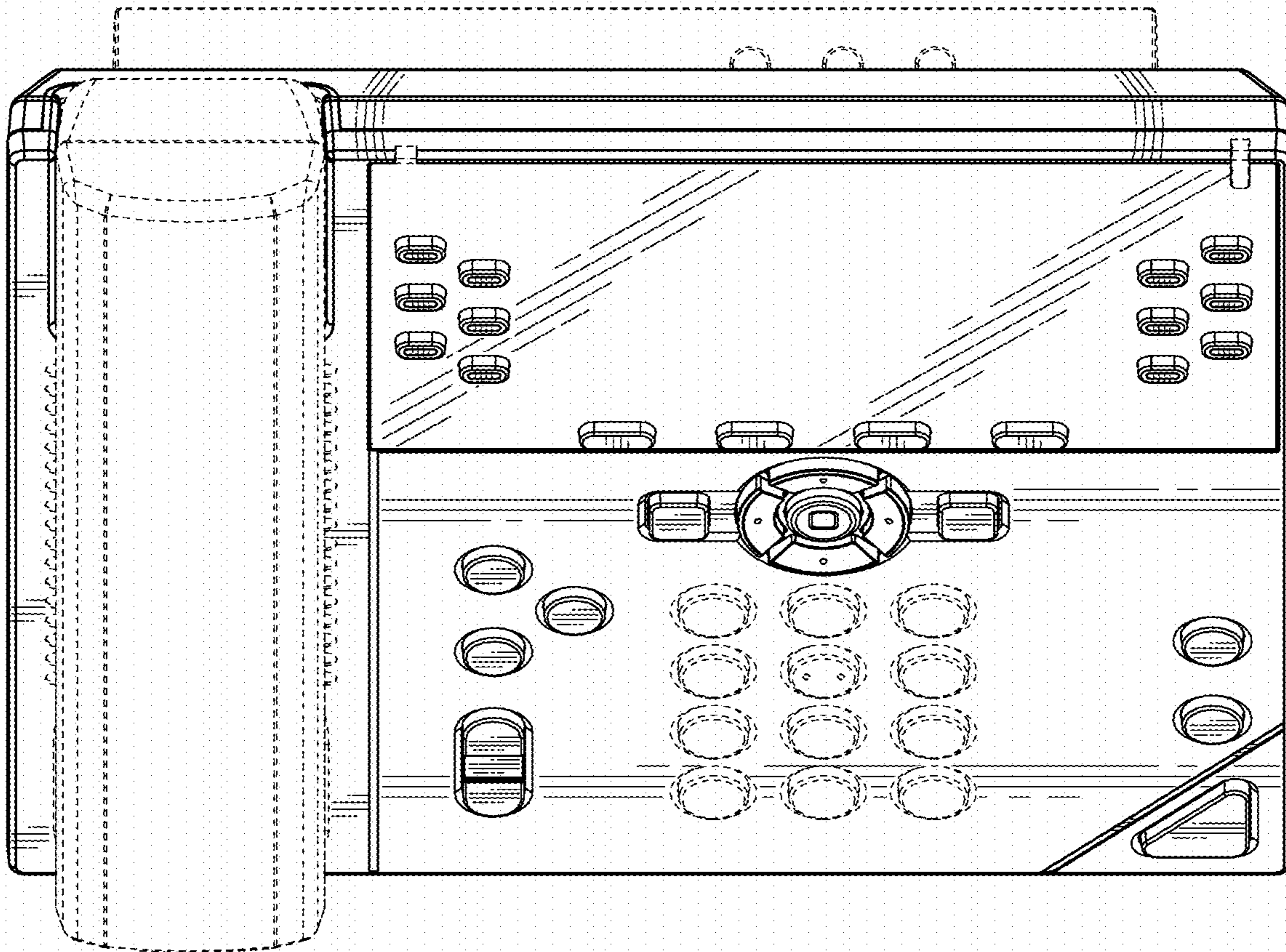


FIG. 6



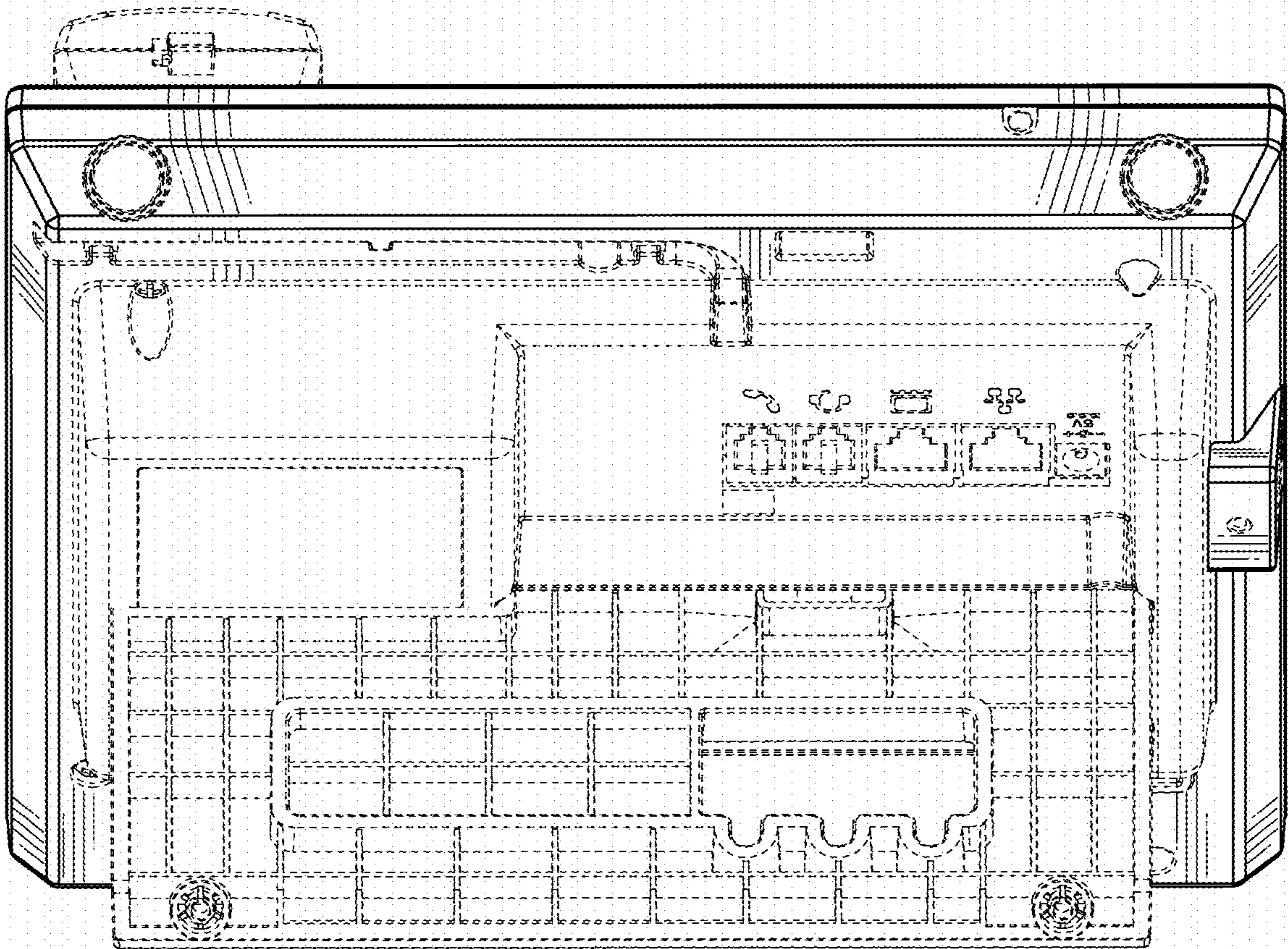


FIG. 7

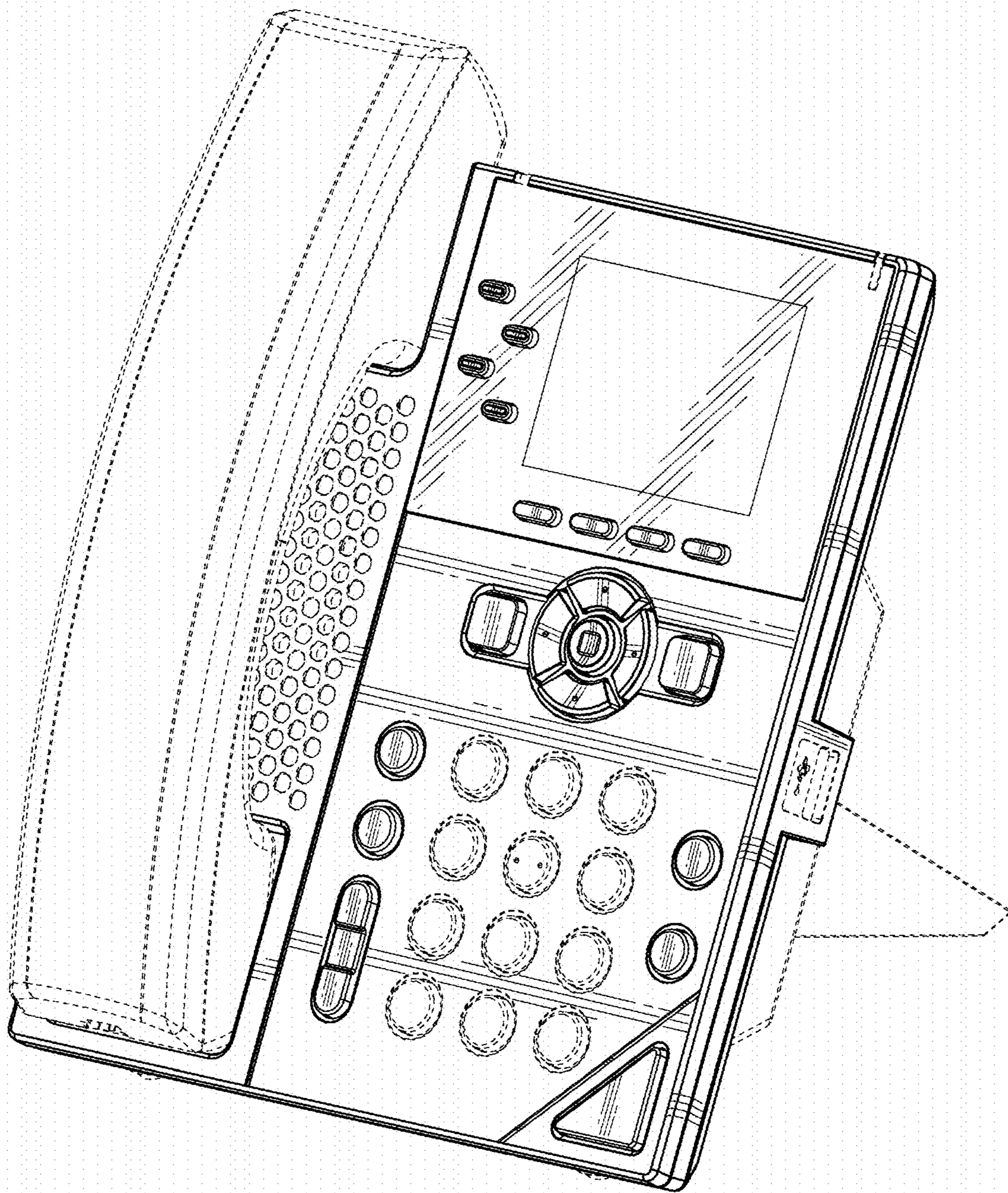


FIG. 8

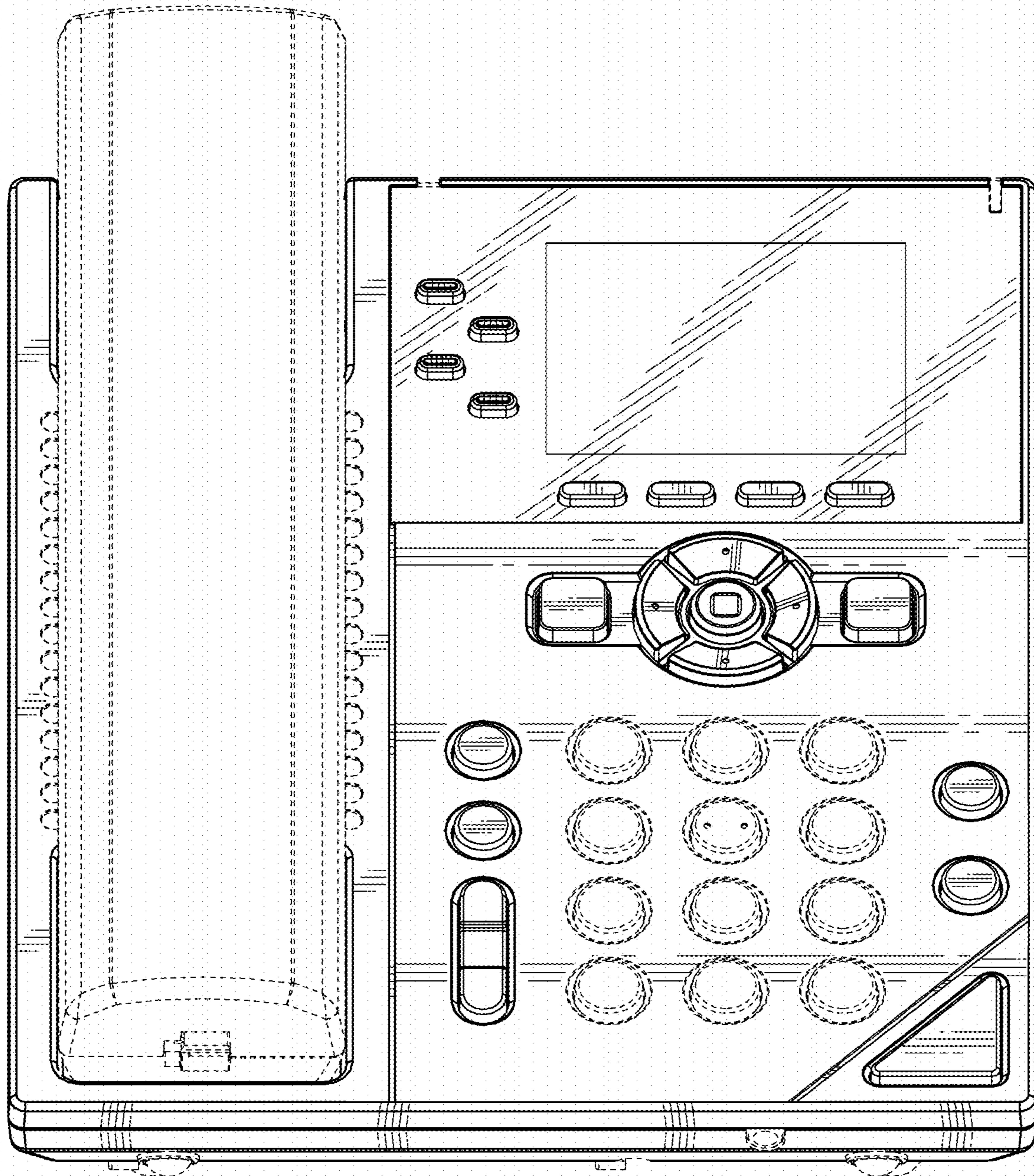


FIG. 9

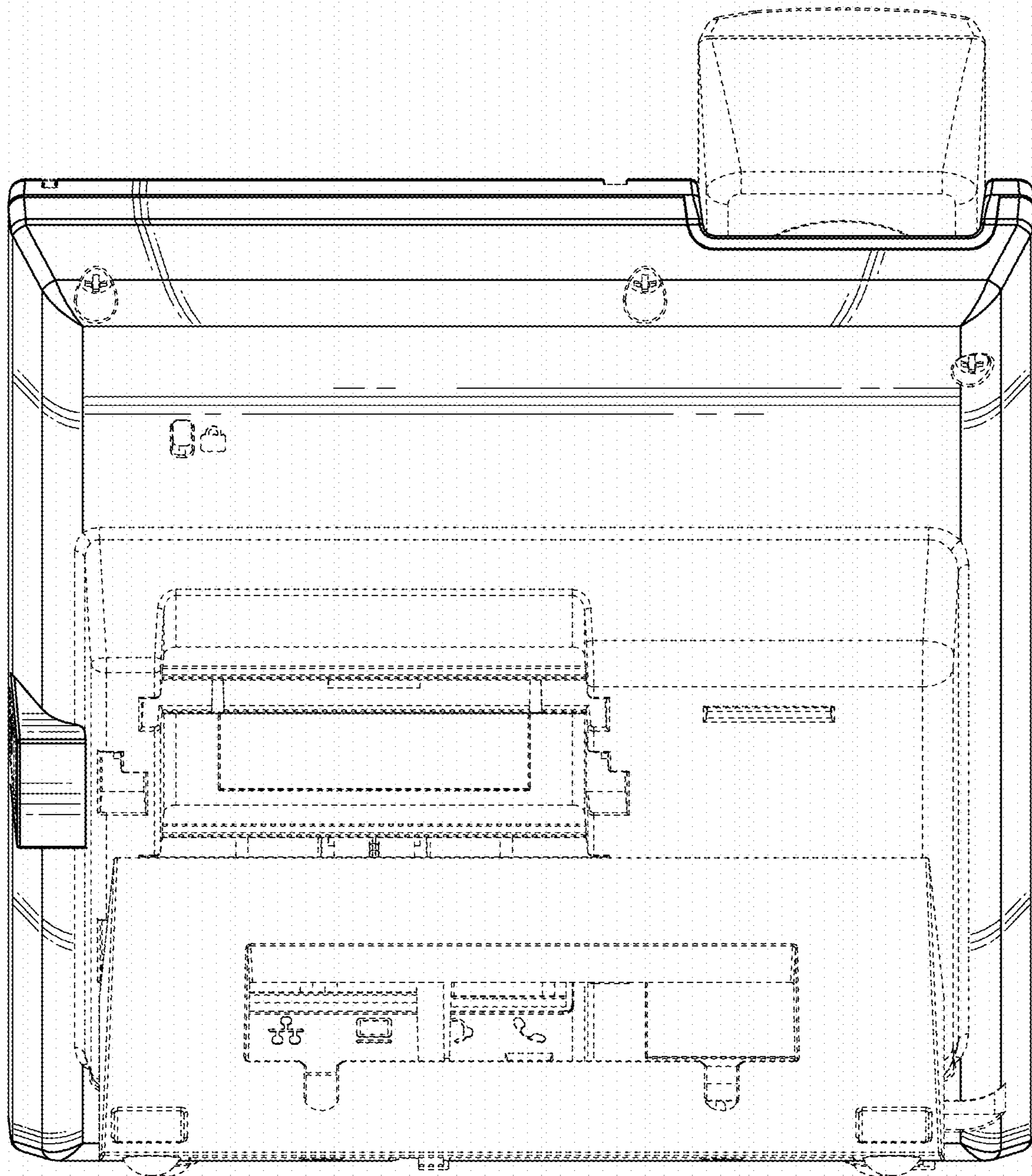


FIG. 10

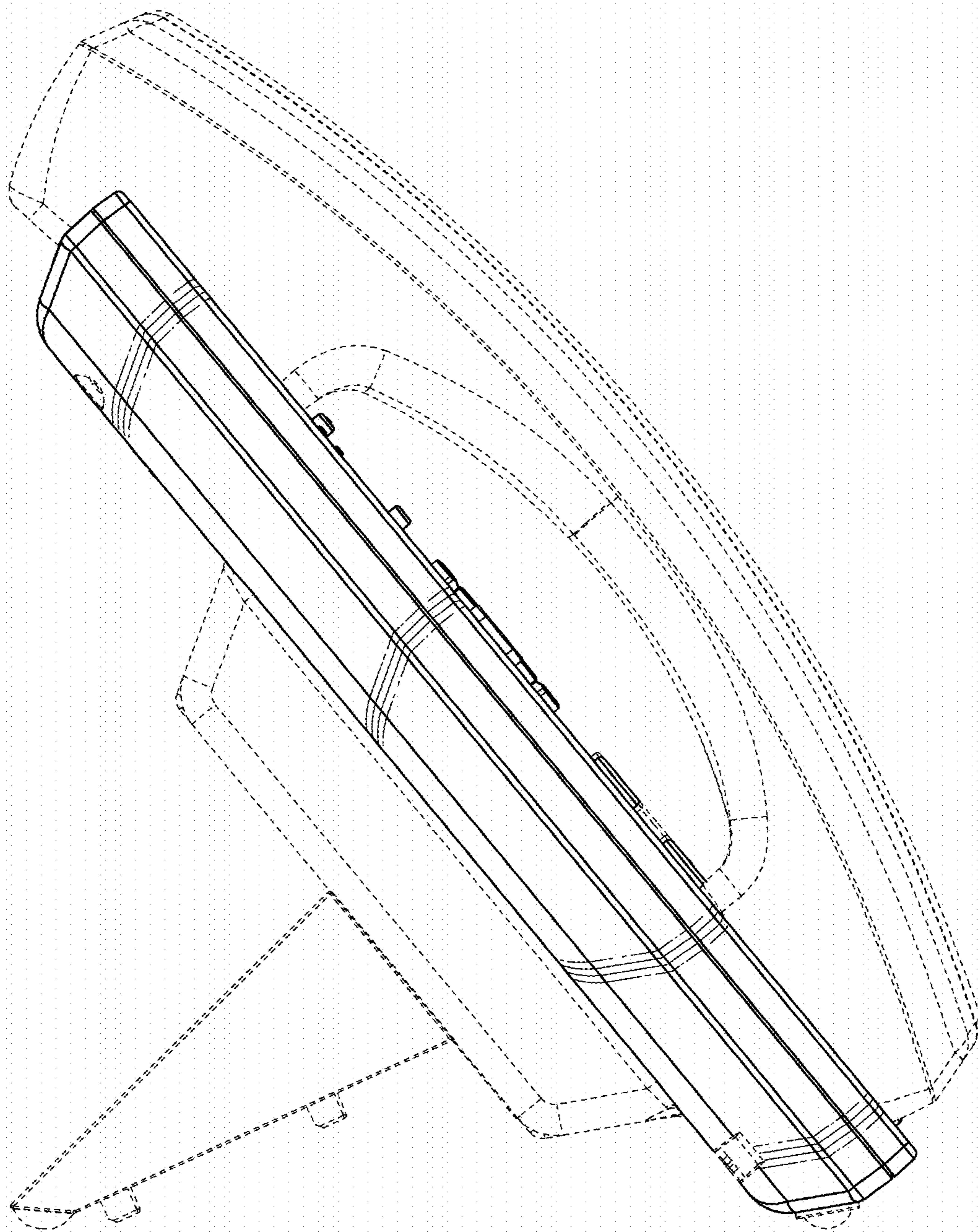


FIG. 11

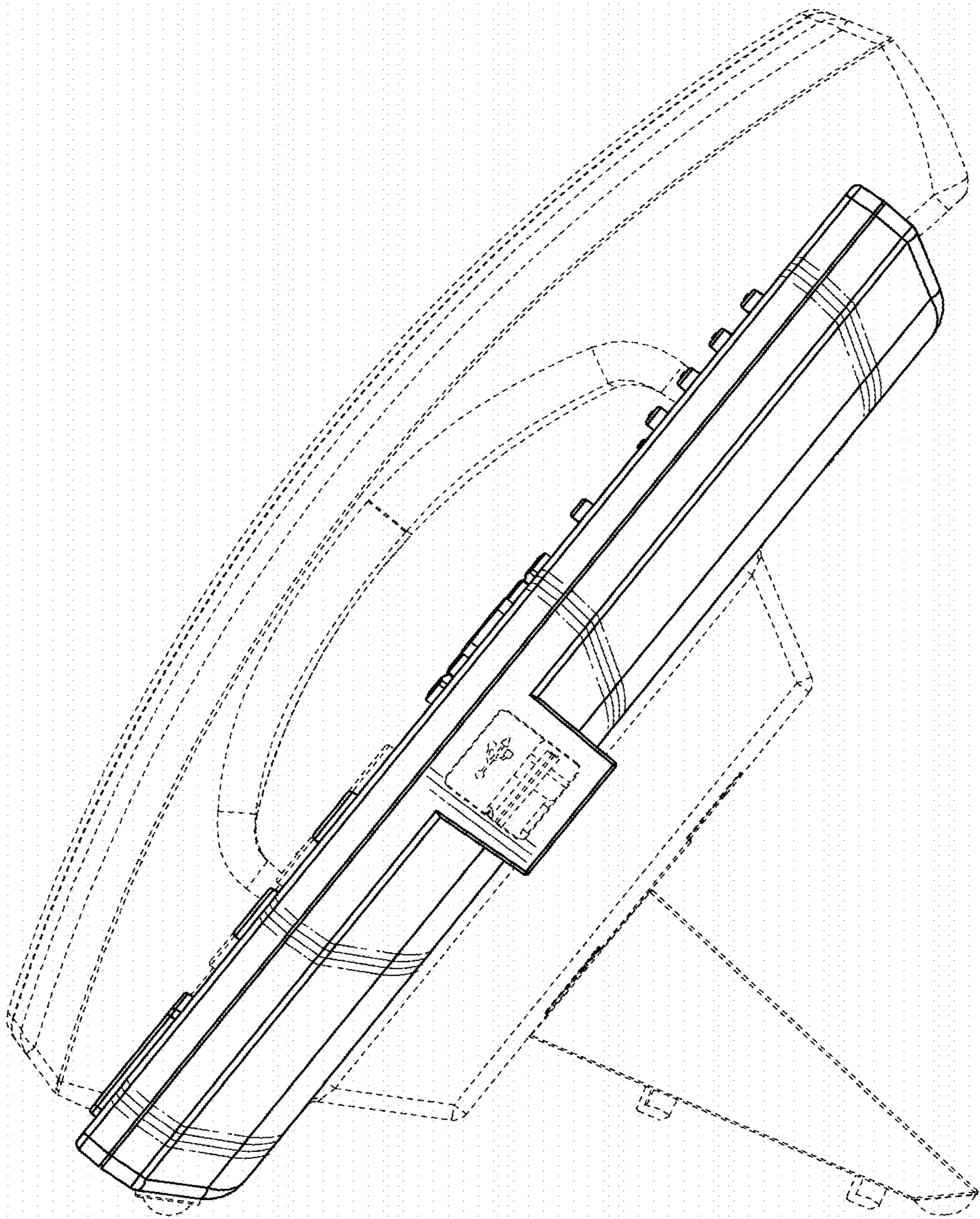


FIG. 12

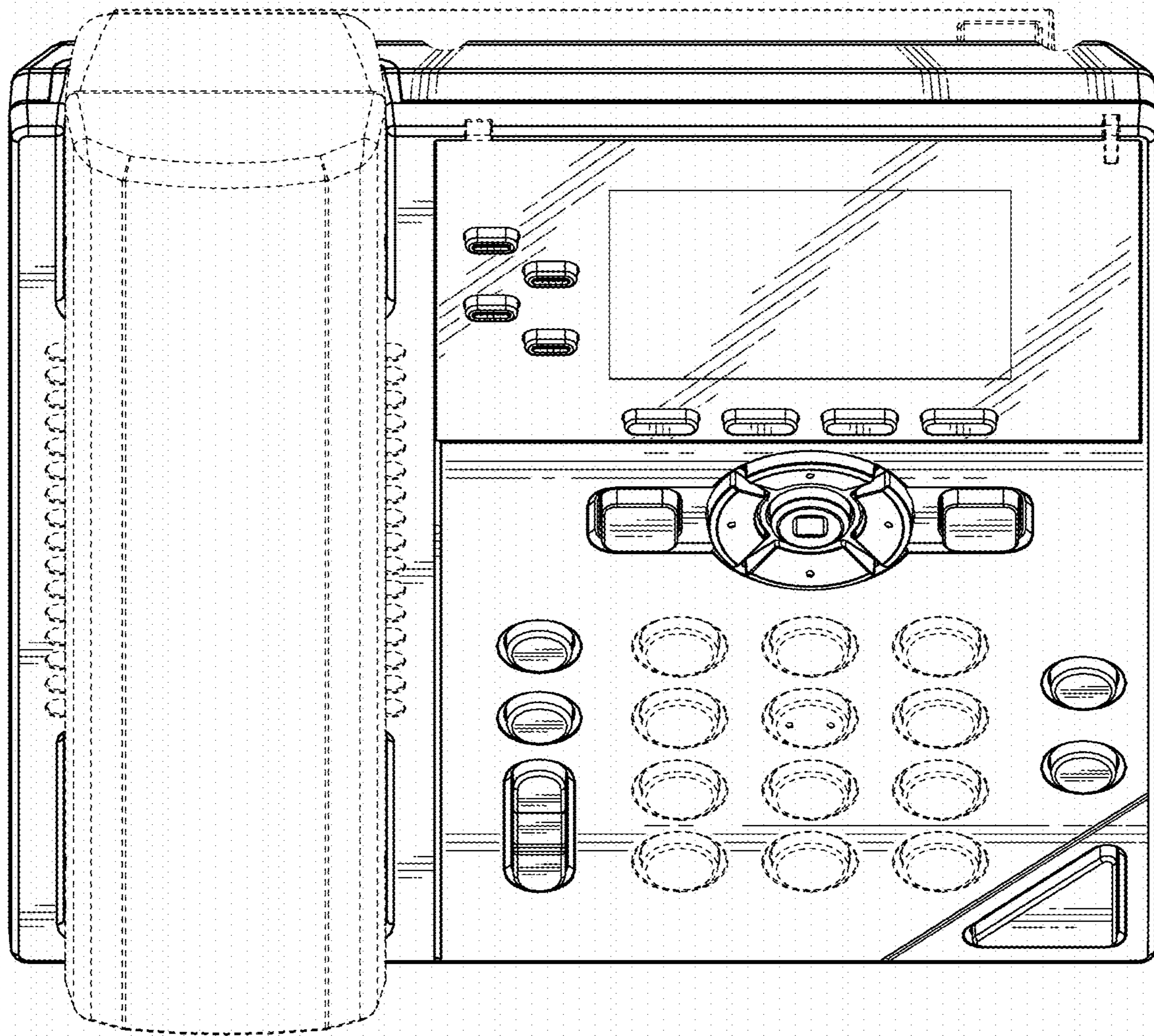


FIG. 13

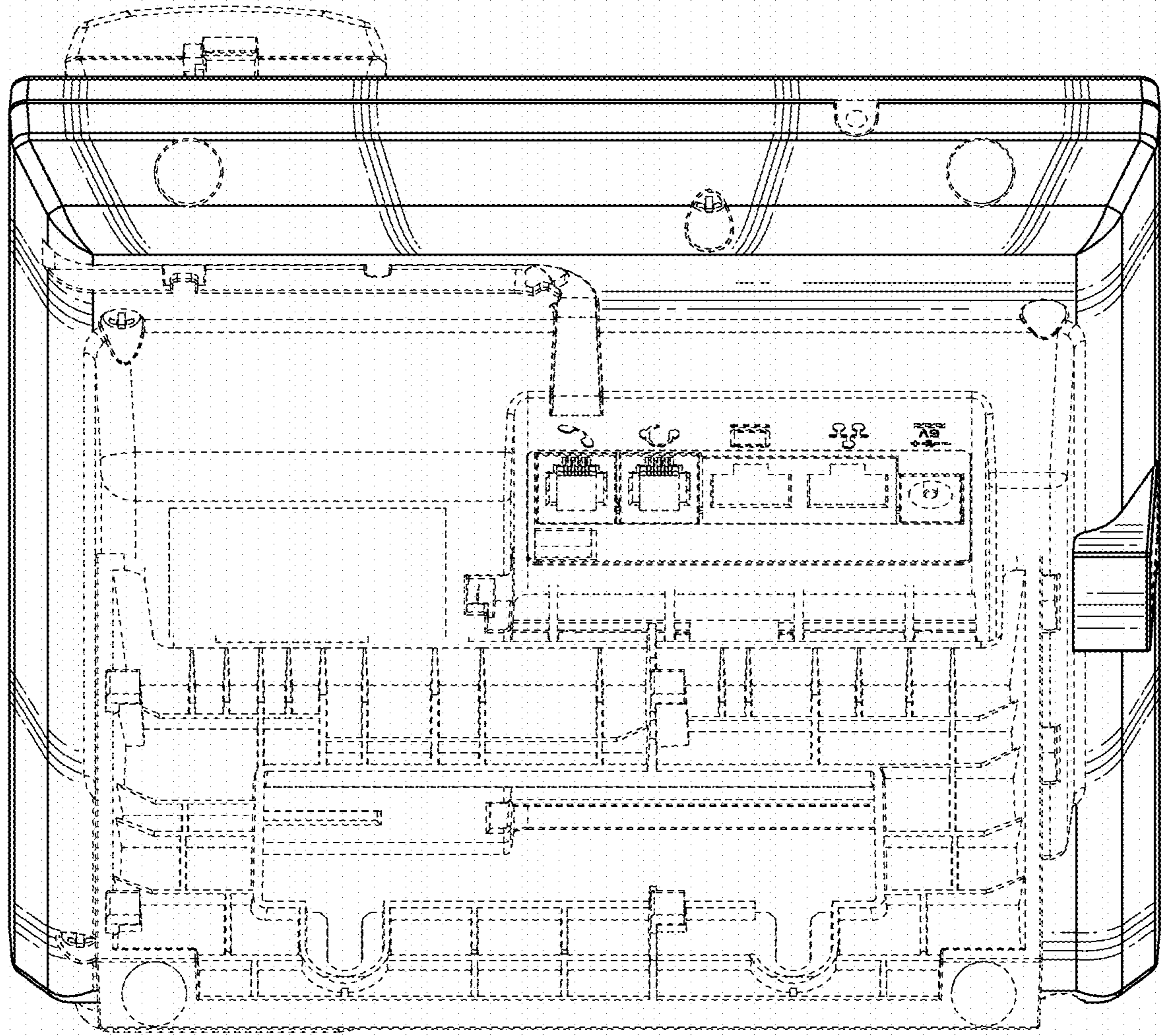


FIG. 14