



US00D896197S

(12) **United States Design Patent** (10) **Patent No.:** **US D896,197 S**
Lee et al. (45) **Date of Patent:** **** Sep. 15, 2020**

(54) **HANDHELD COMMUNICATION DEVICE**
(71) Applicant: **MOTOROLA SOLUTIONS, INC.**,
Chicago, IL (US)
(72) Inventors: **Soon Hin Lee**, Penang (MY); **Pedram
Djavadkhani**, Georgetown (MY); **Lee
Sun Ooi**, Kulim (MY)
(73) Assignee: **MOTOROLA SOLUTIONS, INC.**,
Chicago, IL (US)

Primary Examiner — Jeffrey D Asch
(74) *Attorney, Agent, or Firm* — Raguraman Kumaresan

(**) Term: **15 Years**

(21) Appl. No.: **29/653,335**

(22) Filed: **Jun. 14, 2018**

(51) **LOC (12) Cl.** **14-03**

(52) **U.S. Cl.**
USPC **D14/137**

(58) **Field of Classification Search**
USPC D14/137, 138 AA, 147, 148, 218, 155,
D14/159, 142, 225, 226, 191, 188, 192,
(Continued)

(56) **References Cited**

U.S. PATENT DOCUMENTS

D600,225 S * 9/2009 Woon D14/137
D605,616 S * 12/2009 Scott D14/137
(Continued)

FOREIGN PATENT DOCUMENTS

CN 304816938 * 9/2018
CN 305758747 * 5/2020
JP D1573427 * 4/2017

OTHER PUBLICATIONS

Motorola Mototrbo XPR 7550 Review, posted by TechElectric,
Posted Feb. 8, 2016, [online], [site visited May 12, 2020]. Internet
URL: <https://www.youtube.com/watch?v=0IOJwxvV4z0>.*

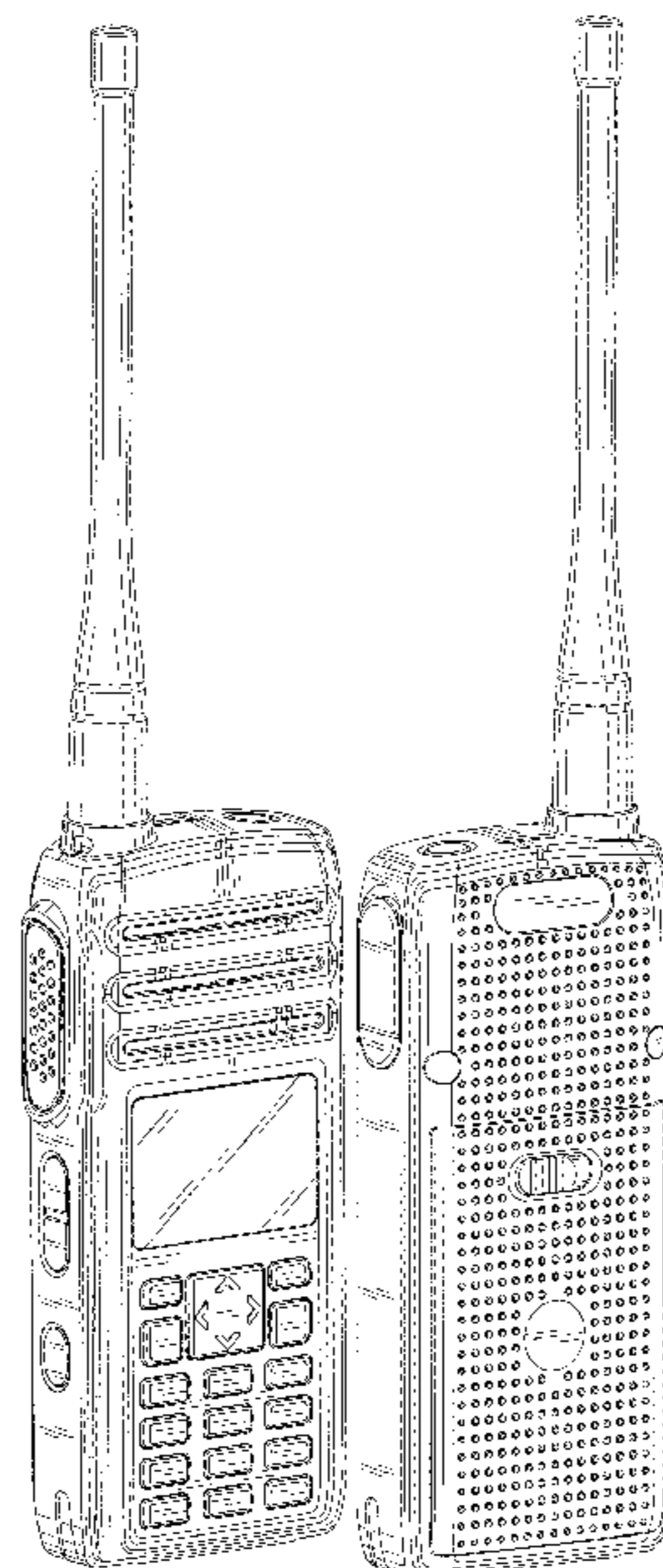
(57) **CLAIM**

The ornamental design for a handheld communication device, as shown and described.

DESCRIPTION

FIG. 1 is a front perspective view of a first embodiment of an ornamental design for a handheld device;
FIG. 2 is a rear perspective view of the first embodiment thereof;
FIG. 3 is a front view of the first embodiment thereof;
FIG. 4 is a rear view of the first embodiment thereof;
FIG. 5 is a first side view of the first embodiment thereof;
FIG. 6 is a second side view of the first embodiment thereof;
FIG. 7 is a top view of the first embodiment thereof; and
FIG. 8 is a bottom view of the first embodiment thereof.
FIG. 9 is a front perspective view of a second embodiment of an ornamental design for a handheld device;
FIG. 10 is a rear perspective view of the second embodiment thereof;
FIG. 11 is a front view of the second embodiment thereof;
FIG. 12 is a rear view of the second embodiment thereof;
FIG. 13 is a first side view of the second embodiment thereof;
FIG. 14 is a second side view of the second embodiment thereof;
FIG. 15 is a top view of the second embodiment thereof; and,
FIG. 16 is a bottom view of the second embodiment thereof.
The broken lines shown in FIGS. 1-8 illustrate portions of the device that form no part of the first embodiment.

1 Claim, 12 Drawing Sheets



(58) **Field of Classification Search**

USPC D14/194-198; D21/517; D10/104.1,
 D10/104.2, 106.1, 65; D13/168;
 D30/199
 CPC H04B 1/3833; H04B 1/3827; H04B
 2001/3861; H04M 1/0202; H04M 1/03;
 H04M 1/035; G08B 21/0202
 See application file for complete search history.

9,065,901 B2* 6/2015 Mackey H04M 1/233
 D752,536 S * 3/2016 Ooi D14/137
 D754,088 S 4/2016 Ooi et al.
 D754,089 S * 4/2016 Yong D14/137
 D761,223 S * 7/2016 Oikawa D14/137
 D805,494 S * 12/2017 Richards D14/137
 D816,639 S * 5/2018 Abe D14/226
 D818,451 S * 5/2018 Takahashi D14/137
 D851,615 S * 6/2019 Lee D14/137
 D876,379 S * 2/2020 Aihсан D14/137
 D878,316 S * 3/2020 Duman D14/137
 2011/0028105 A1* 2/2011 Astanovsky H04B 1/3877
 455/90.3

(56) **References Cited**

U.S. PATENT DOCUMENTS

D608,747 S * 1/2010 Nakagawa D14/137
 D617,298 S * 6/2010 Kim D14/138 AA
 D652,400 S * 1/2012 Oikawa D14/137
 D654,035 S * 2/2012 Ismail D14/137
 D662,482 S * 6/2012 Kaner D14/137
 D662,483 S * 6/2012 Kaner D14/137
 D717,259 S * 11/2014 Ooi D14/137

2014/0010383 A1* 1/2014 Mackey H04M 1/233
 381/71.1
 2015/0222311 A1* 8/2015 Teoh H05K 9/005
 455/90.3
 2015/0381333 A1* 12/2015 Tennant H04M 1/03
 370/278
 2018/0076842 A1* 3/2018 Rubens H04M 1/72575

* cited by examiner

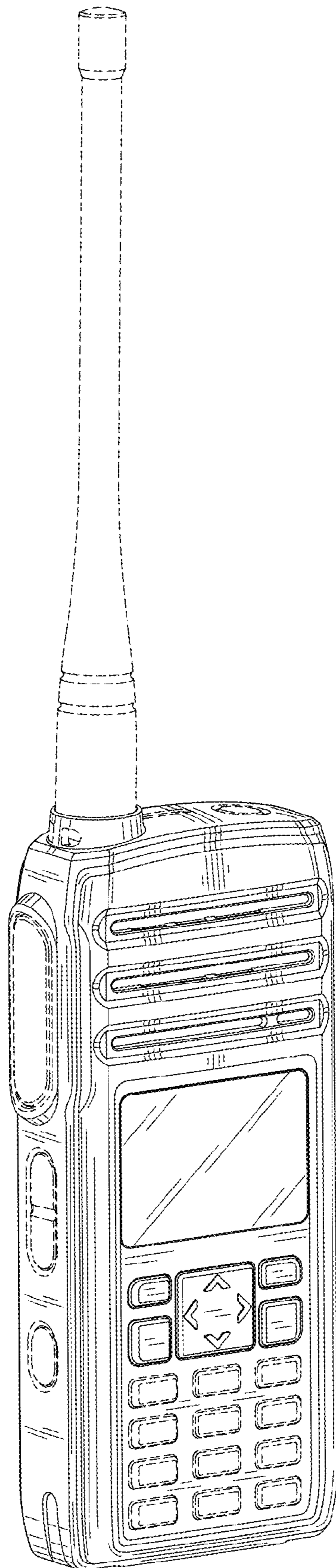


FIG. 1

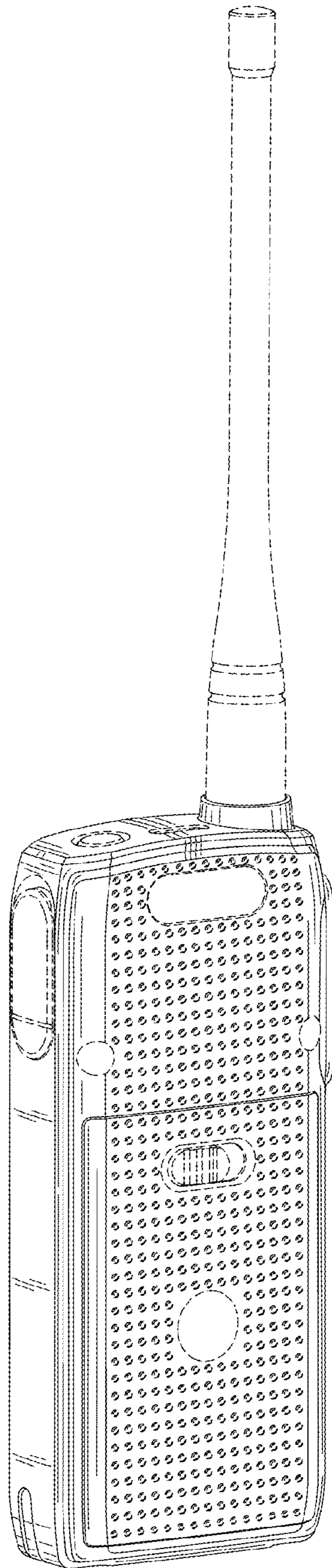


FIG. 2

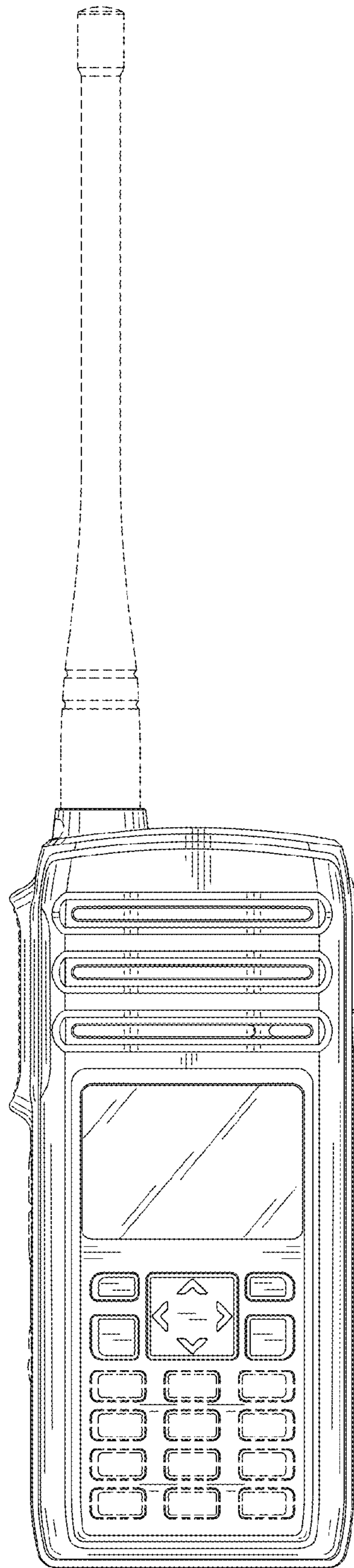


FIG. 3

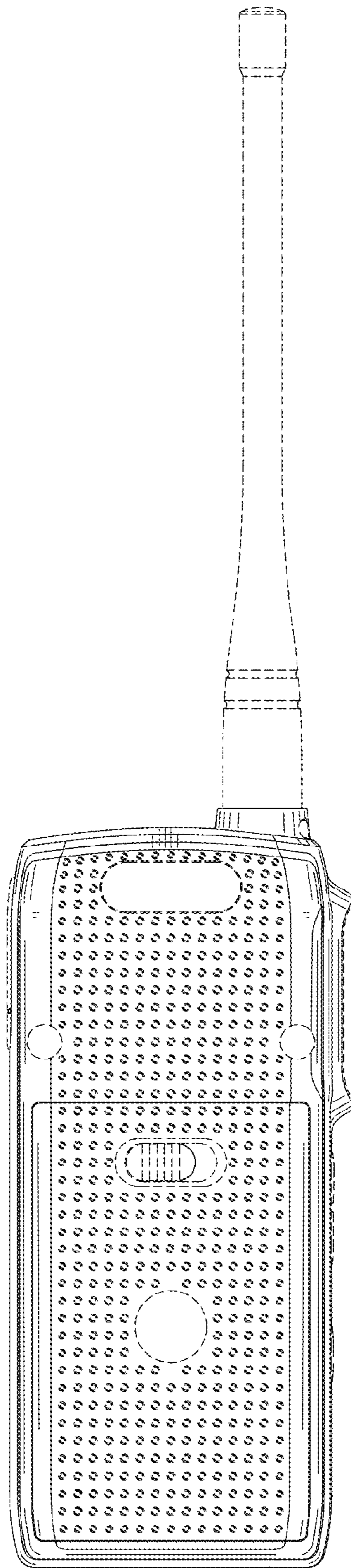


FIG. 4

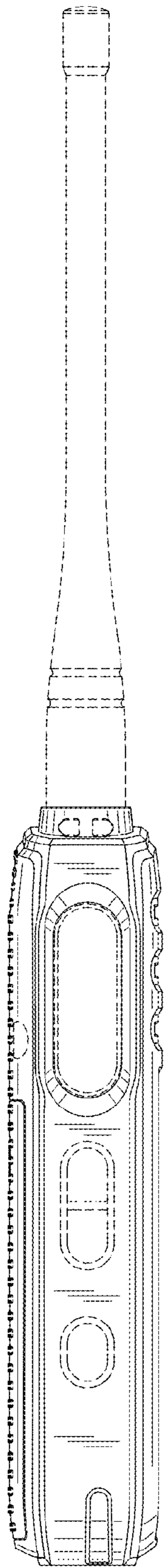


FIG. 5

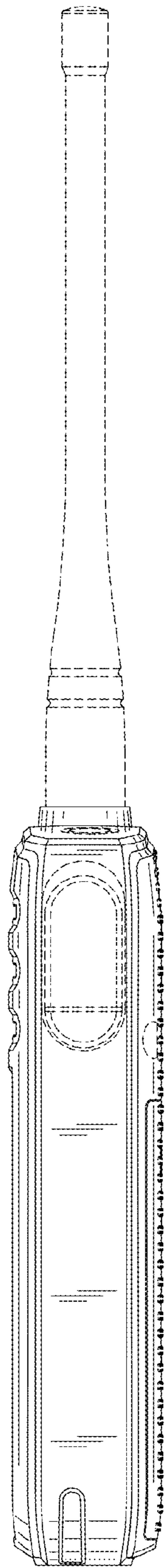


FIG. 6

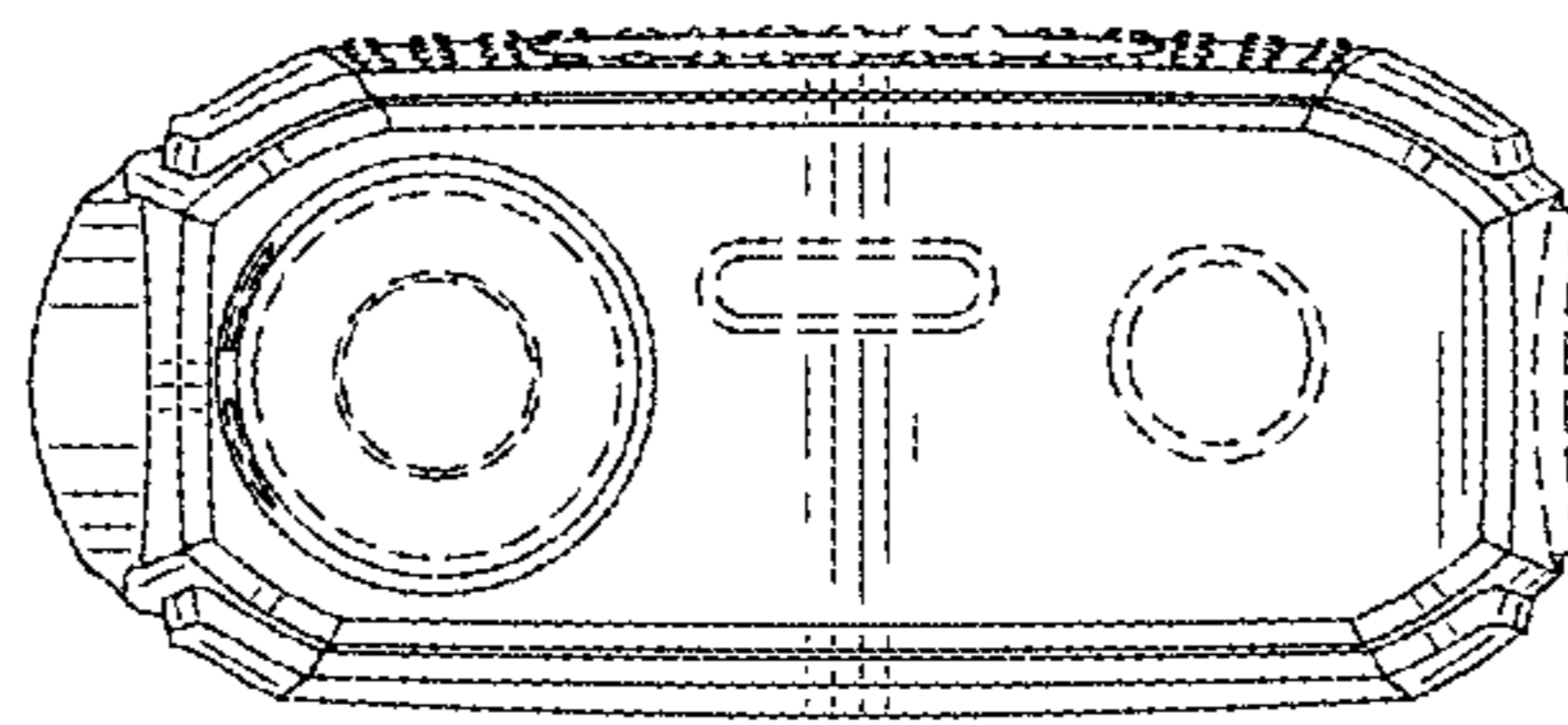


FIG. 7

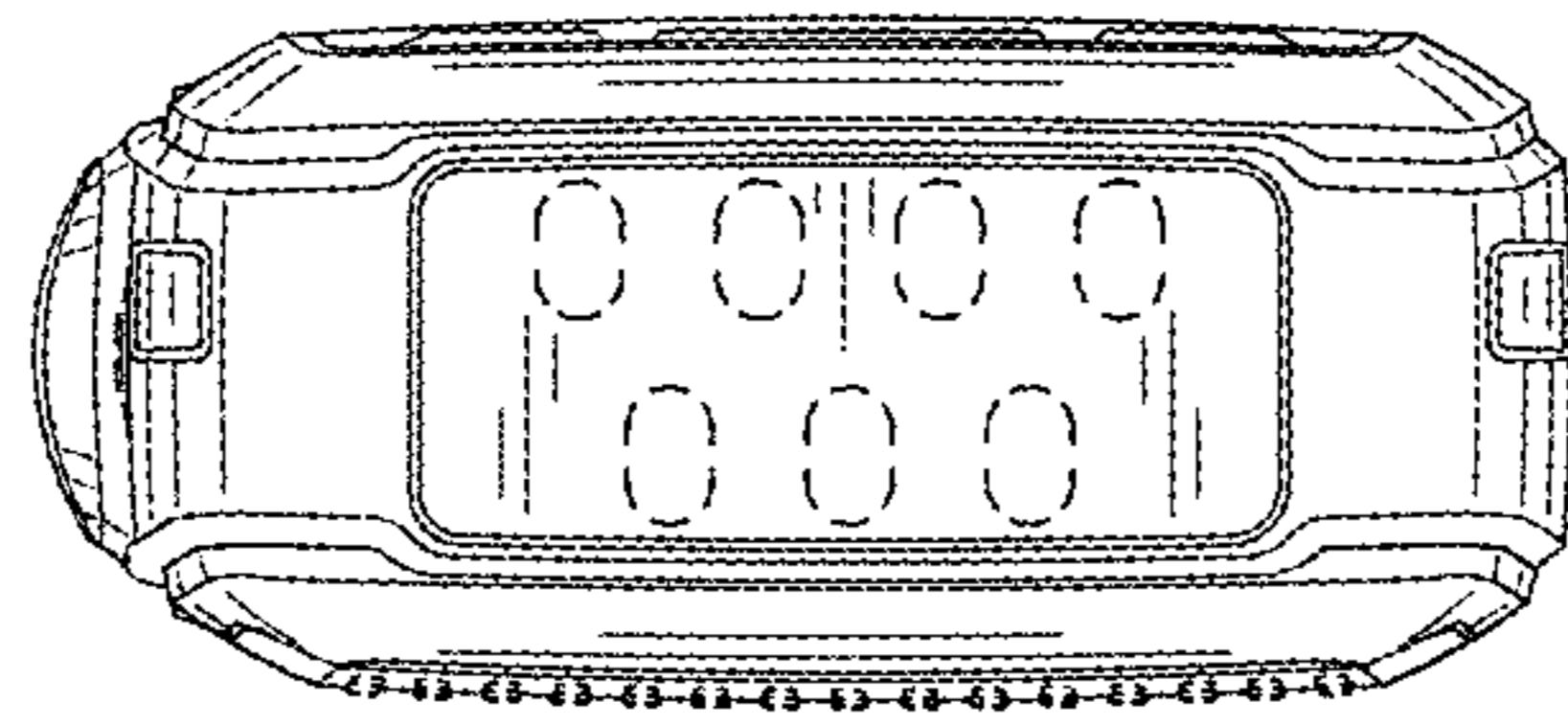


FIG. 8

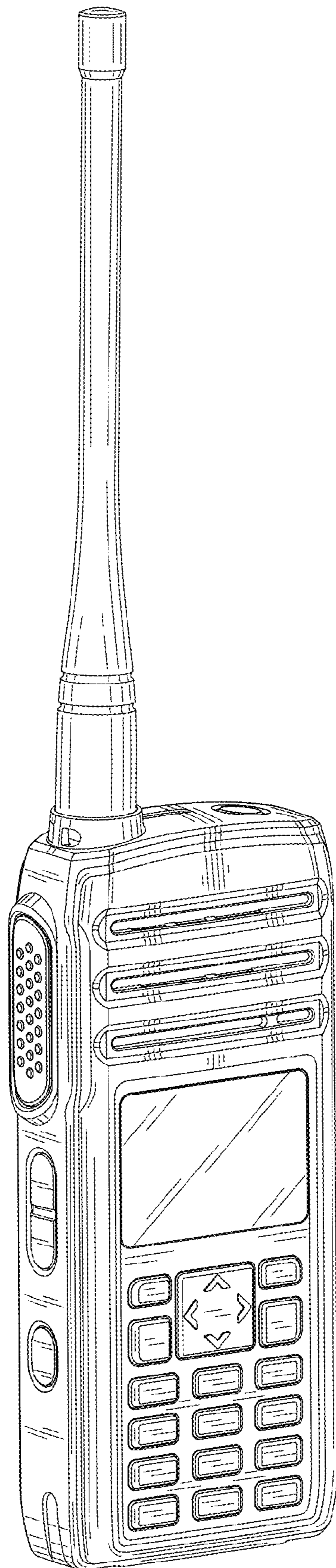


FIG. 9

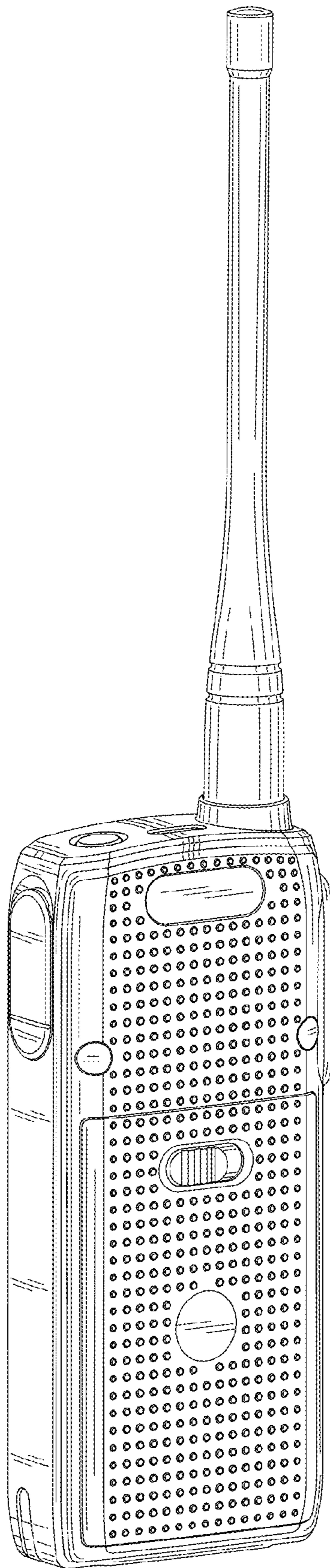


FIG. 10

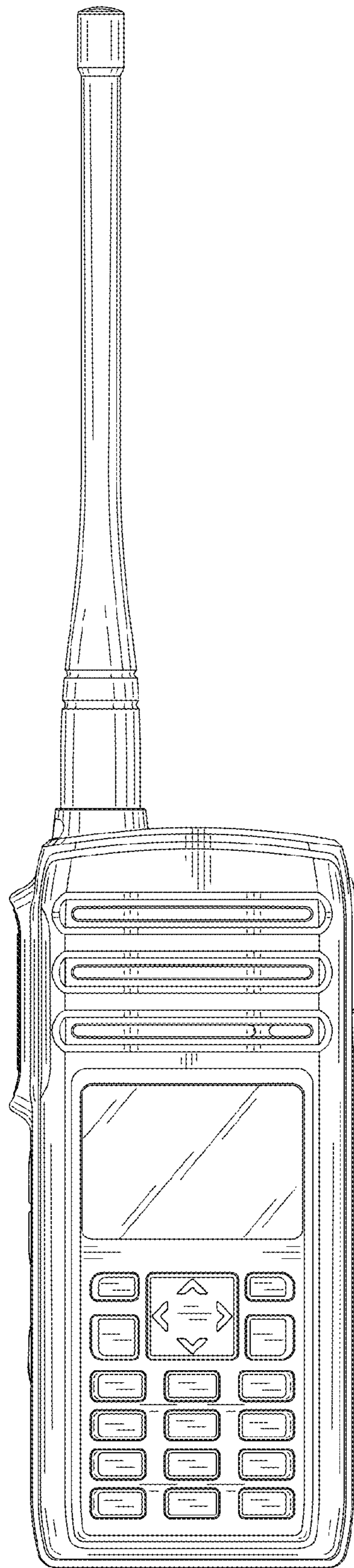


FIG. 11

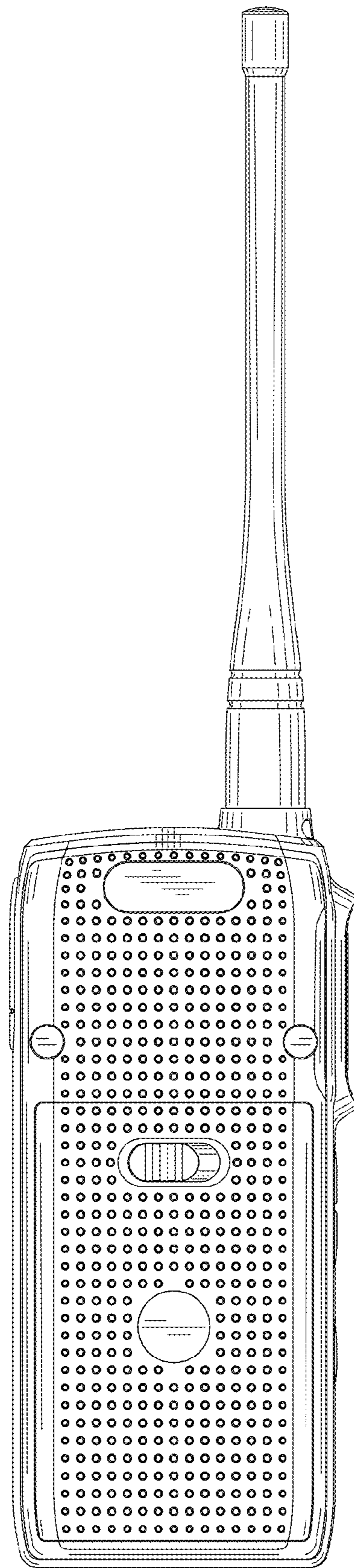


FIG. 12

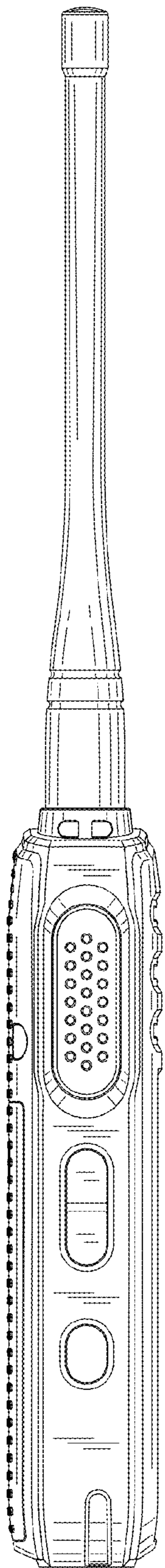


FIG. 13

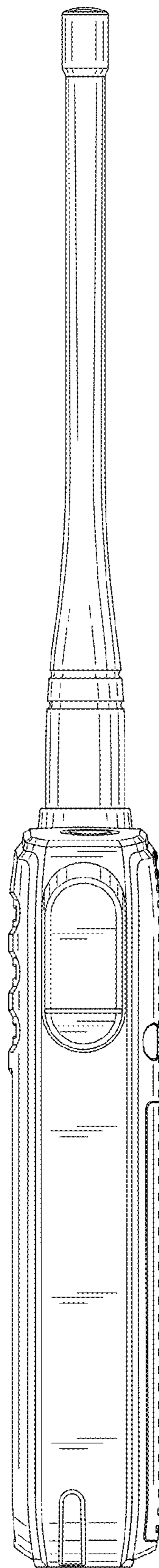


FIG. 14

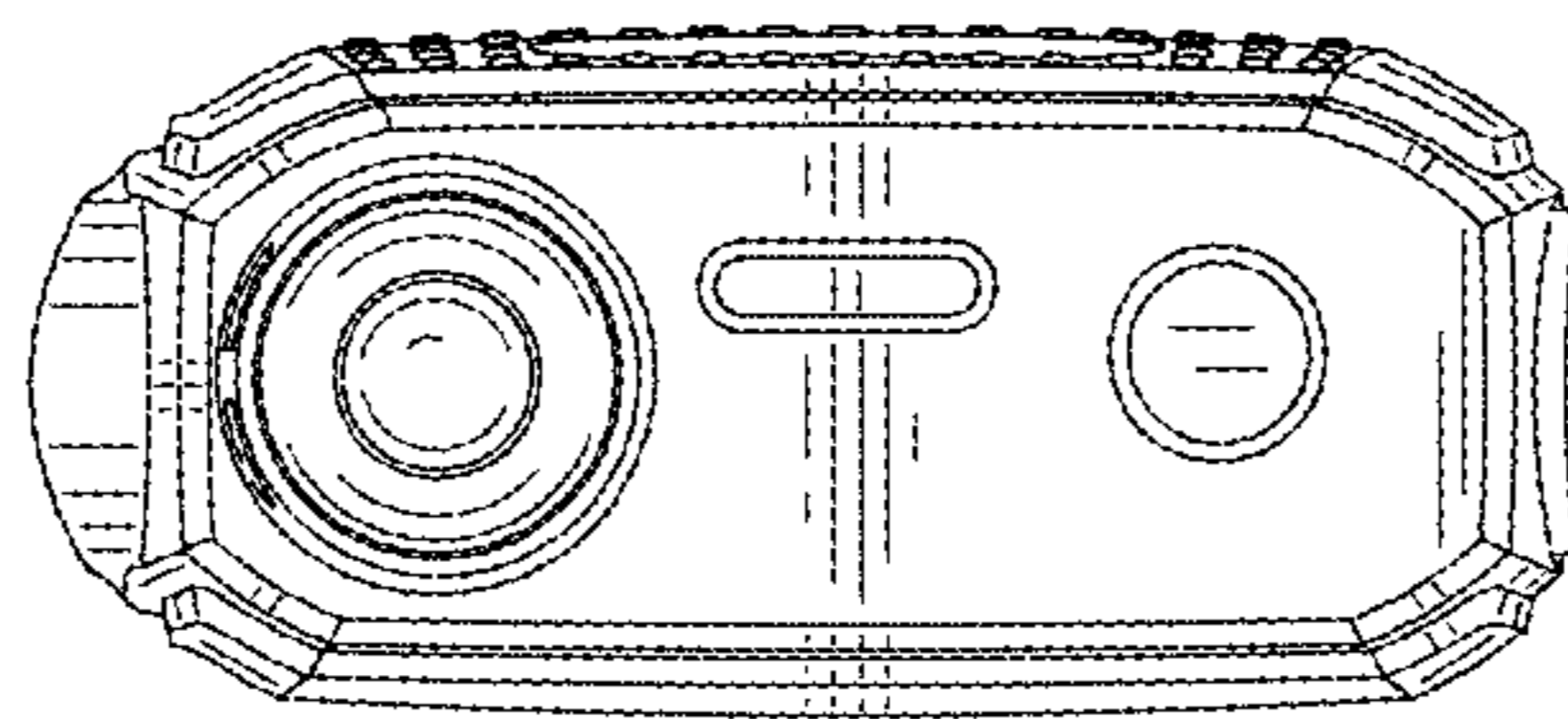


FIG. 15

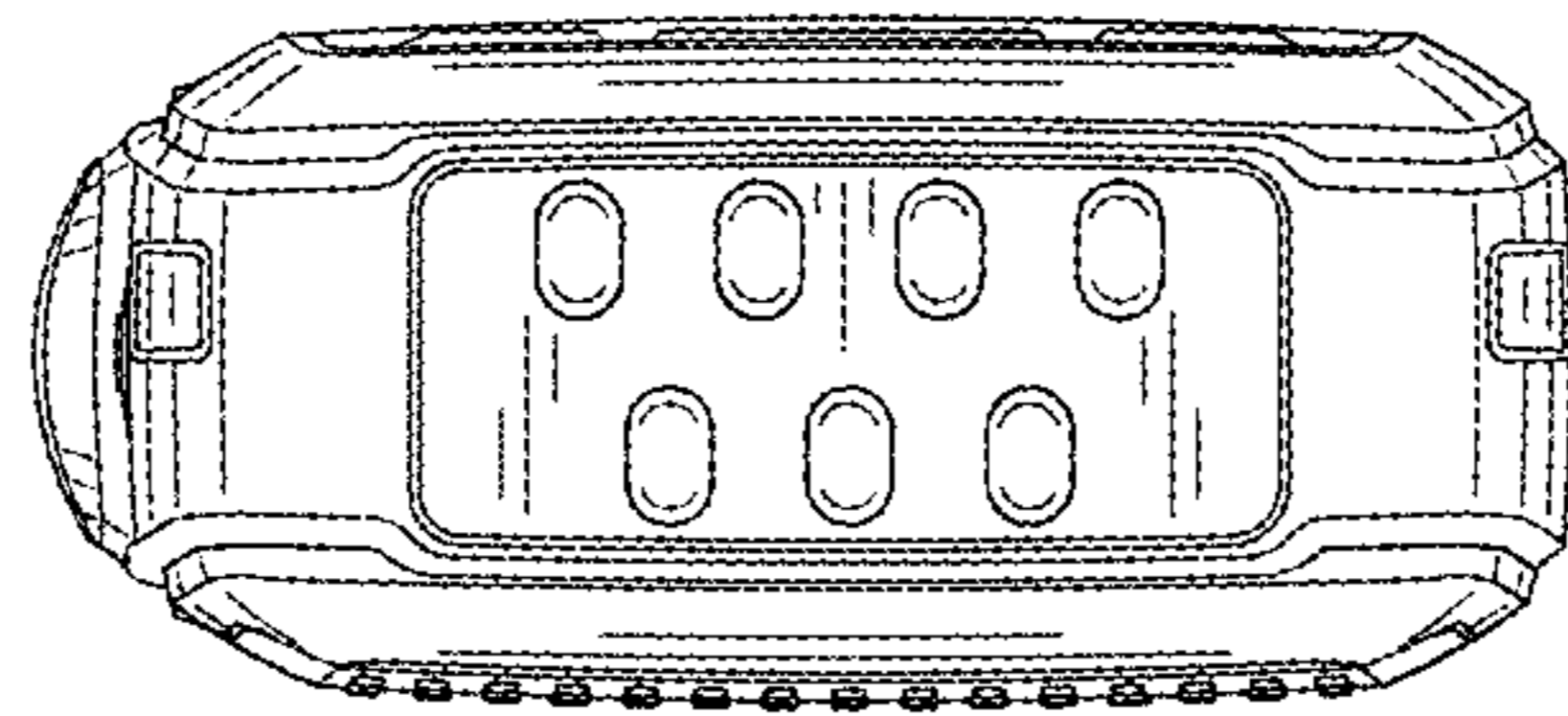


FIG. 16