



US00D896196S

(12) **United States Design Patent** (10) **Patent No.:** **US D896,196 S**  
**Andersen et al.** (45) **Date of Patent:** **\*\* Sep. 15, 2020**

(54) **TELECOMMUNICATION FLASHING DEVICE**

FOREIGN PATENT DOCUMENTS

(71) Applicant: **SORENSEN IP HOLDINGS LLC**,  
Salt Lake City, UT (US)

EM 002218628-0011 \* 8/2013  
EM 003058791-0002 \* 4/2016

(72) Inventors: **Michael Andersen**, Springville, UT (US); **Bryce Twede**, Provo, UT (US); **David Lance Pickett**, Eagle Mountain, UT (US); **Brett Thelin**, Herriman, UT (US)

OTHER PUBLICATIONS

(\*\*) Term: **15 Years**

Detector, (C) 2014 [online], [retrieved Apr. 29, 2020], <[https://www.amazon.co.uk/Battery-Detector-Wireless-Interlinkable-Photoelectric/dp/B07WVBX3R1/ref=sr\\_1\\_61?crd=2XVBAH96YUSOE&dchild=1&keywords=smoke+detector&qid=1588195449&sprefix=smoke+dete%2Caps%2C322&sr=8-61&swrs=6B80CF7D963B778CA185FB3801F89F2E](https://www.amazon.co.uk/Battery-Detector-Wireless-Interlinkable-Photoelectric/dp/B07WVBX3R1/ref=sr_1_61?crd=2XVBAH96YUSOE&dchild=1&keywords=smoke+detector&qid=1588195449&sprefix=smoke+dete%2Caps%2C322&sr=8-61&swrs=6B80CF7D963B778CA185FB3801F89F2E)> (Year: 2014).\*

(21) Appl. No.: **29/674,326**

*Primary Examiner* — Barbara Fox  
*Assistant Examiner* — Aram Kwon

(22) Filed: **Dec. 20, 2018**

(51) **LOC (12) Cl.** ..... **14-03**

(52) **U.S. Cl.**  
USPC ..... **D14/130**; D14/472; D14/473

(58) **Field of Classification Search**  
USPC ..... D14/130, 204, 209, 210, 215, 216  
CPC .. G10K 13/00; G10K 9/13; H01F 1/03; H01F 3/10; H01F 7/0289

See application file for complete search history.

(57) **CLAIM**

The ornamental design for a telecommunication flashing device, as shown and described.

(56) **References Cited**

**DESCRIPTION**

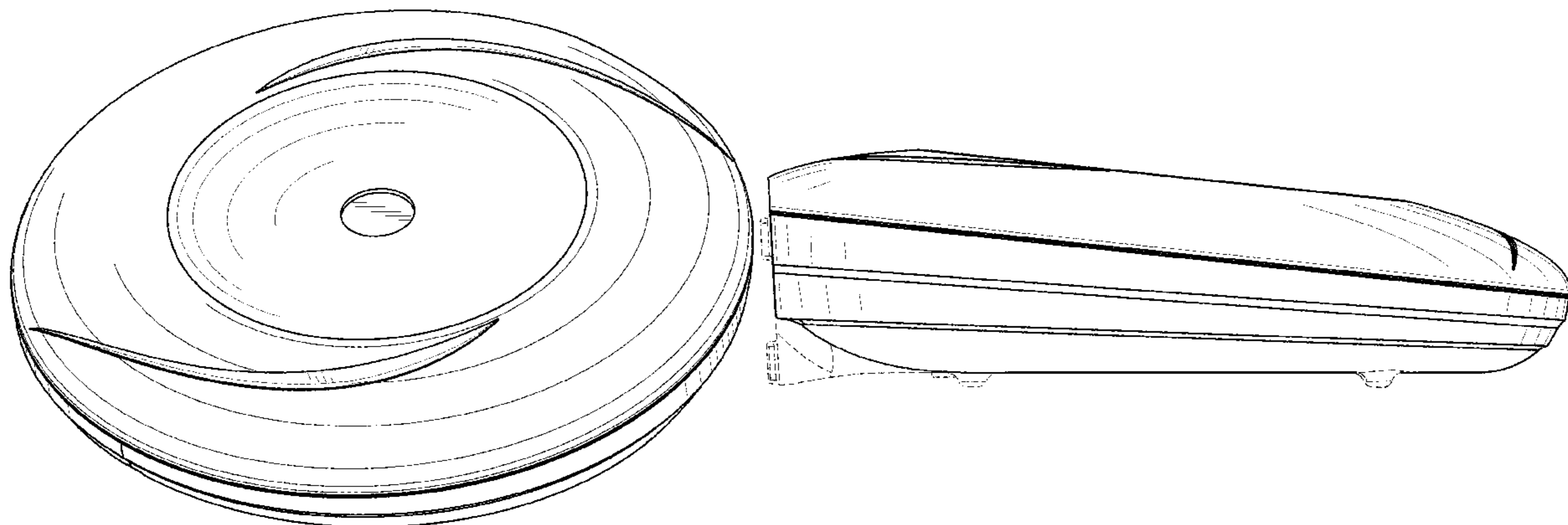
U.S. PATENT DOCUMENTS

D342,808 S *	12/1993	Bakic	.....	D28/82
D391,943 S *	3/1998	Han	.....	D14/356
D391,944 S *	3/1998	Han	.....	D14/356
D494,633 S *	8/2004	Nussberger	.....	D21/324
D510,571 S *	10/2005	Cutler	.....	D14/125
D524,282 S *	7/2006	Beasley	.....	D13/108
D533,799 S *	12/2006	Thalhammer	.....	D10/106.1
D546,812 S *	7/2007	Hirose	.....	D14/511
D643,412 S *	8/2011	Brady	.....	D14/218
D656,980 S *	4/2012	Liao	.....	D14/217
D698,755 S *	2/2014	Miyawaki	.....	D14/216
D704,177 S *	5/2014	Chun	.....	D14/240
D711,345 S *	8/2014	Liu	.....	D14/140
8,824,640 B1	9/2014	Winsor et al.		
D724,786 S *	3/2015	Jung	.....	D28/82
8,976,940 B2	3/2015	Maxwell et al.		
D752,024 S *	3/2016	Kachwalla	.....	D14/216

(Continued)

FIG. 1 is a perspective view of a telecommunication flashing device showing our new design;  
FIG. 2 is a front side view of the telecommunication flashing device shown in FIG. 1;  
FIG. 3 is a back side view of the telecommunication flashing device shown in FIG. 1;  
FIG. 4 is a right side view of the telecommunication flashing device shown in FIG. 1;  
FIG. 5 is a left side view of the telecommunication flashing device shown in FIG. 1;  
FIG. 6 is a top view of the telecommunication flashing device shown in FIG. 1; and,  
FIG. 7 is a bottom view of the telecommunication flashing device shown in FIG. 1.  
The broken lines in FIGS. 1-7 are for environmental purposes only and do not form any part of the claimed design.

**1 Claim, 5 Drawing Sheets**



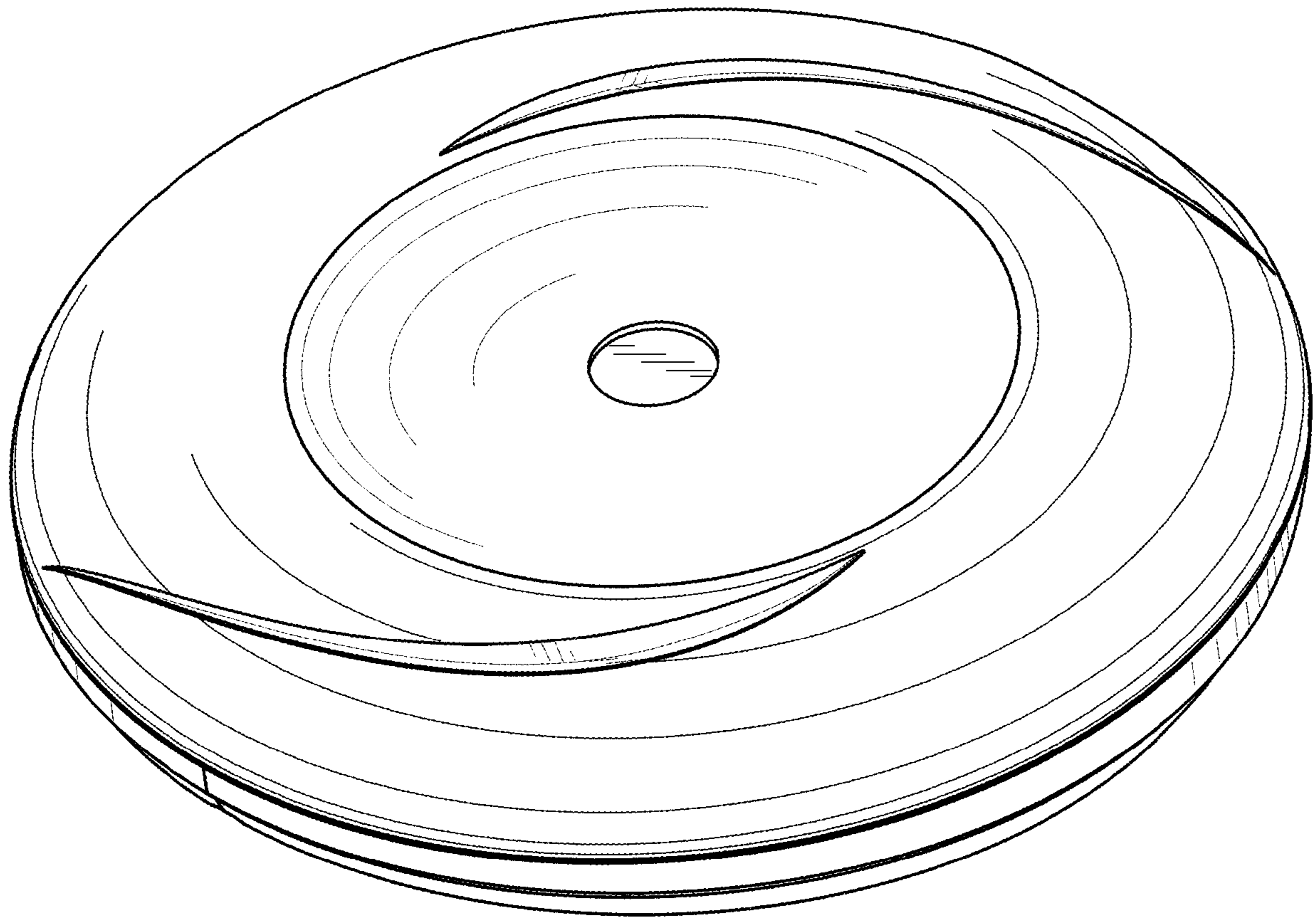
(56)

**References Cited**

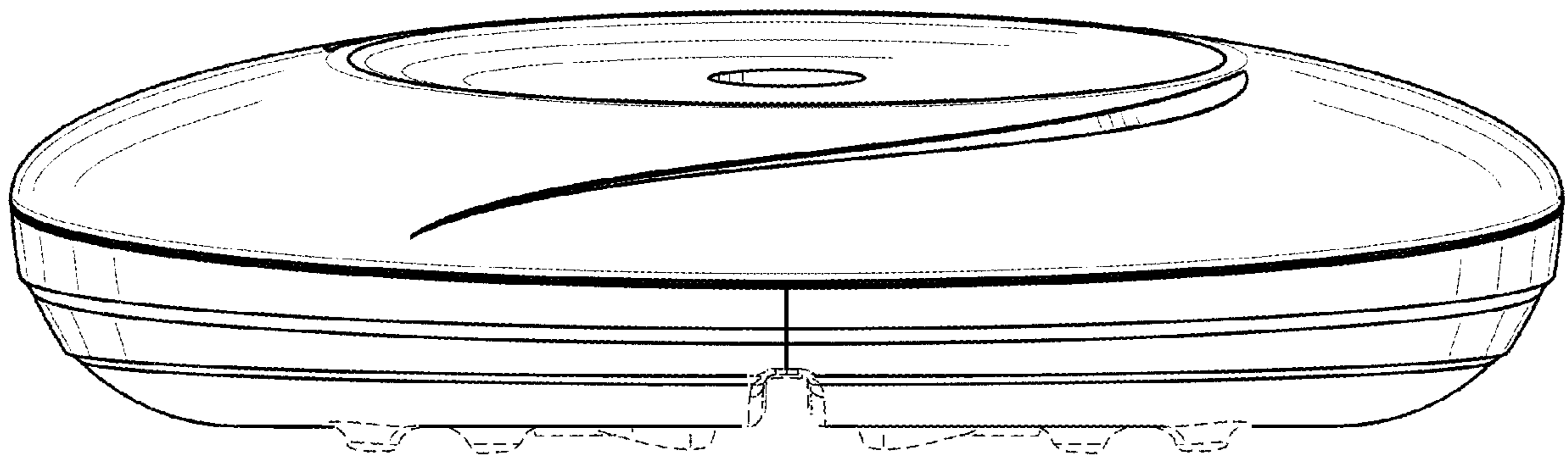
U.S. PATENT DOCUMENTS

D784,963	S	*	4/2017	Saule	.....	D14/228
D802,589	S	*	11/2017	Fisher	.....	D14/358
D803,191	S	*	11/2017	Luo	.....	D14/216
D816,052	S	*	4/2018	Pallakoff	.....	D14/137
D821,361	S	*	6/2018	Shoda	.....	D14/221
D823,919	S	*	7/2018	Persson	.....	D16/203
D832,264	S	*	10/2018	Kim	.....	D14/434
D844,593	S	*	4/2019	Bould	.....	D14/240
D846,418	S	*	4/2019	Yang	.....	D10/106.8
D855,567	S	*	8/2019	Cai	.....	D13/108
D856,298	S	*	8/2019	Border	.....	D14/150
D860,168	S	*	9/2019	Yang	.....	D14/216
D872,015	S	*	1/2020	Choi	.....	D13/108
D873,807	S	*	1/2020	Bould	.....	D14/240
D875,085	S	*	2/2020	Sahlin	.....	D14/228
D876,400	S	*	2/2020	Russo	.....	D14/228

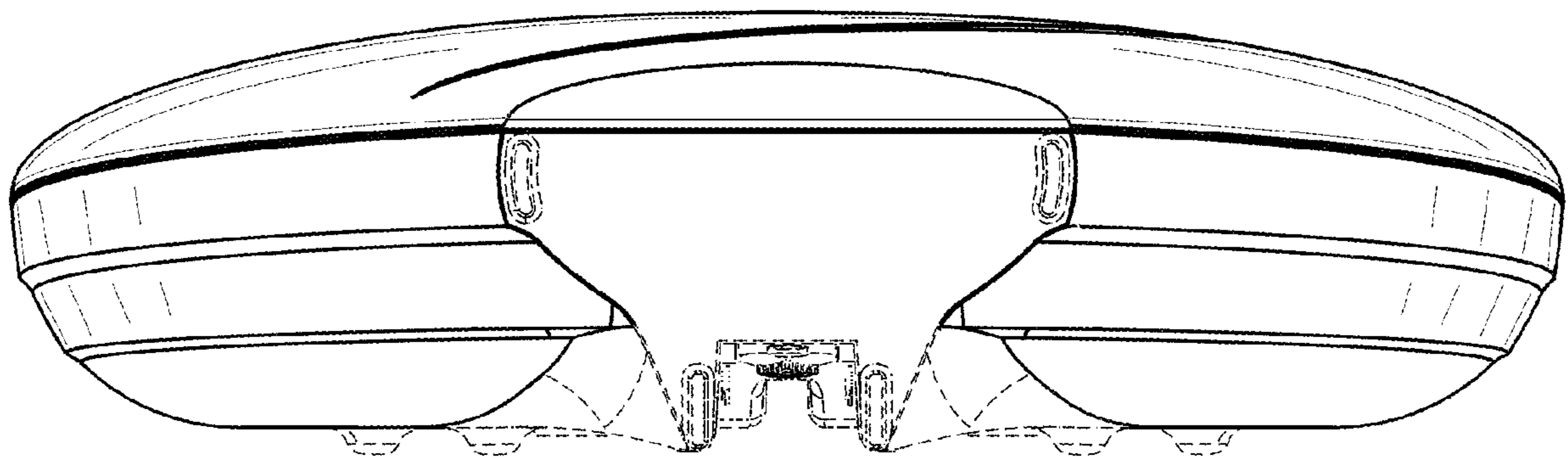
\* cited by examiner



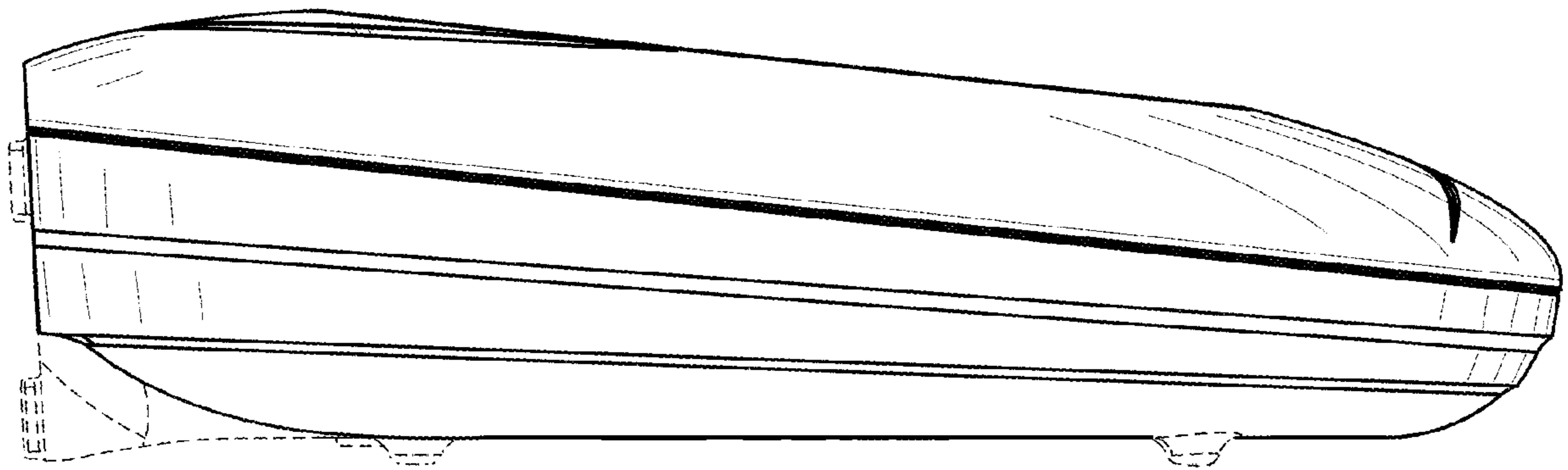
**FIG. 1**



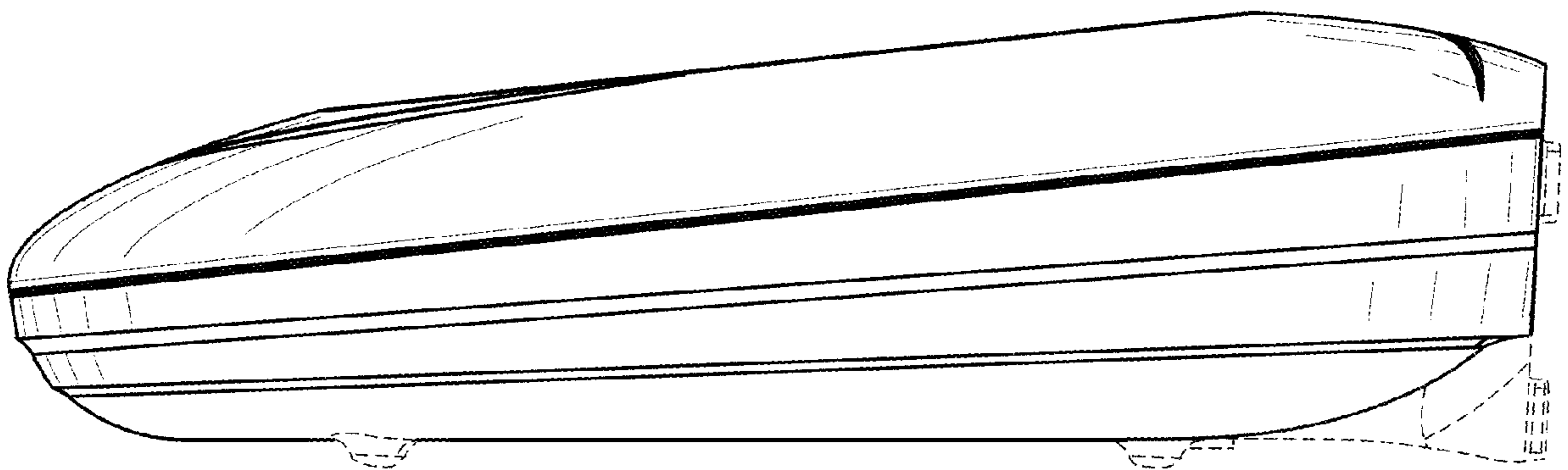
**FIG. 2**



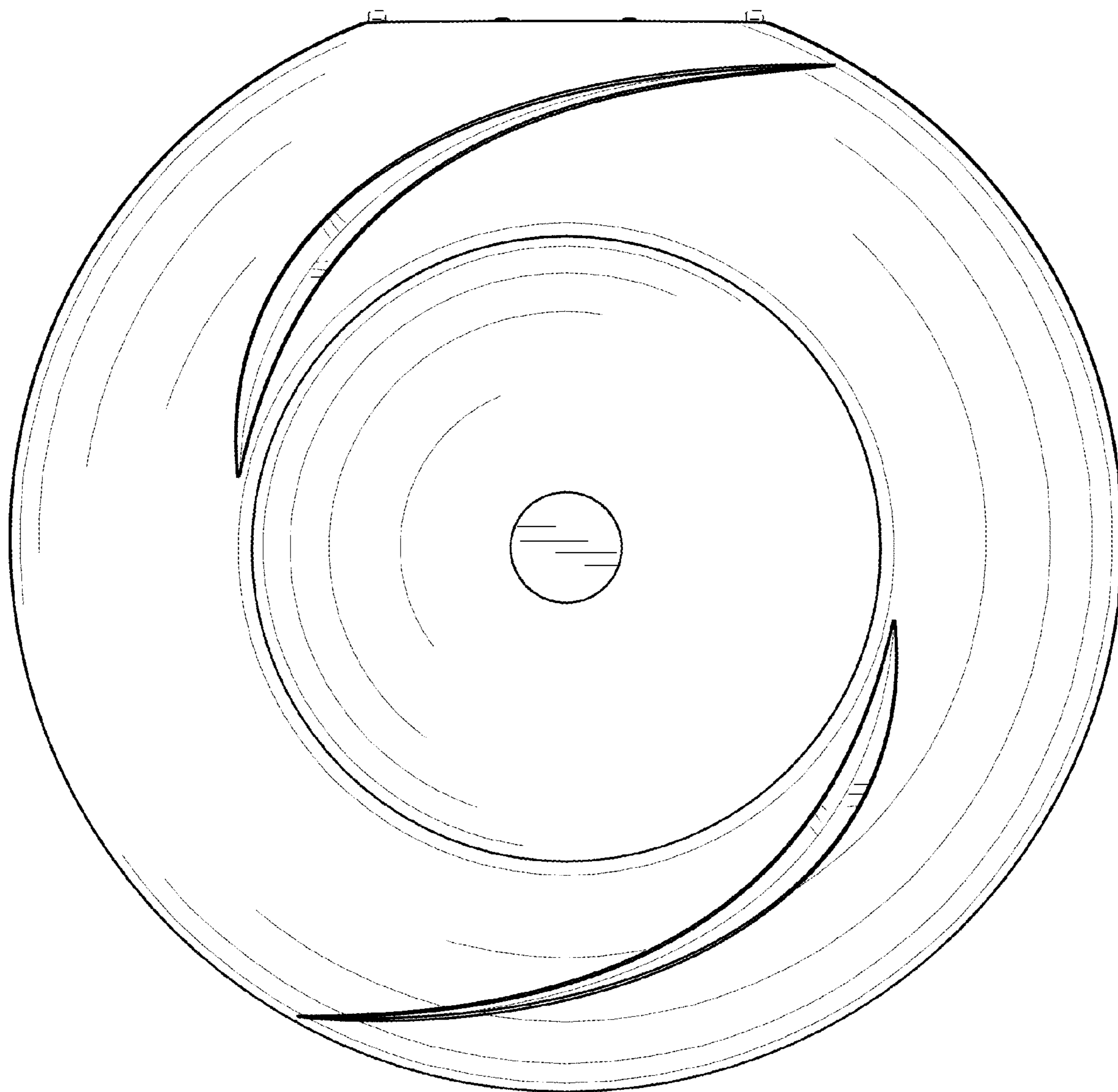
**FIG. 3**



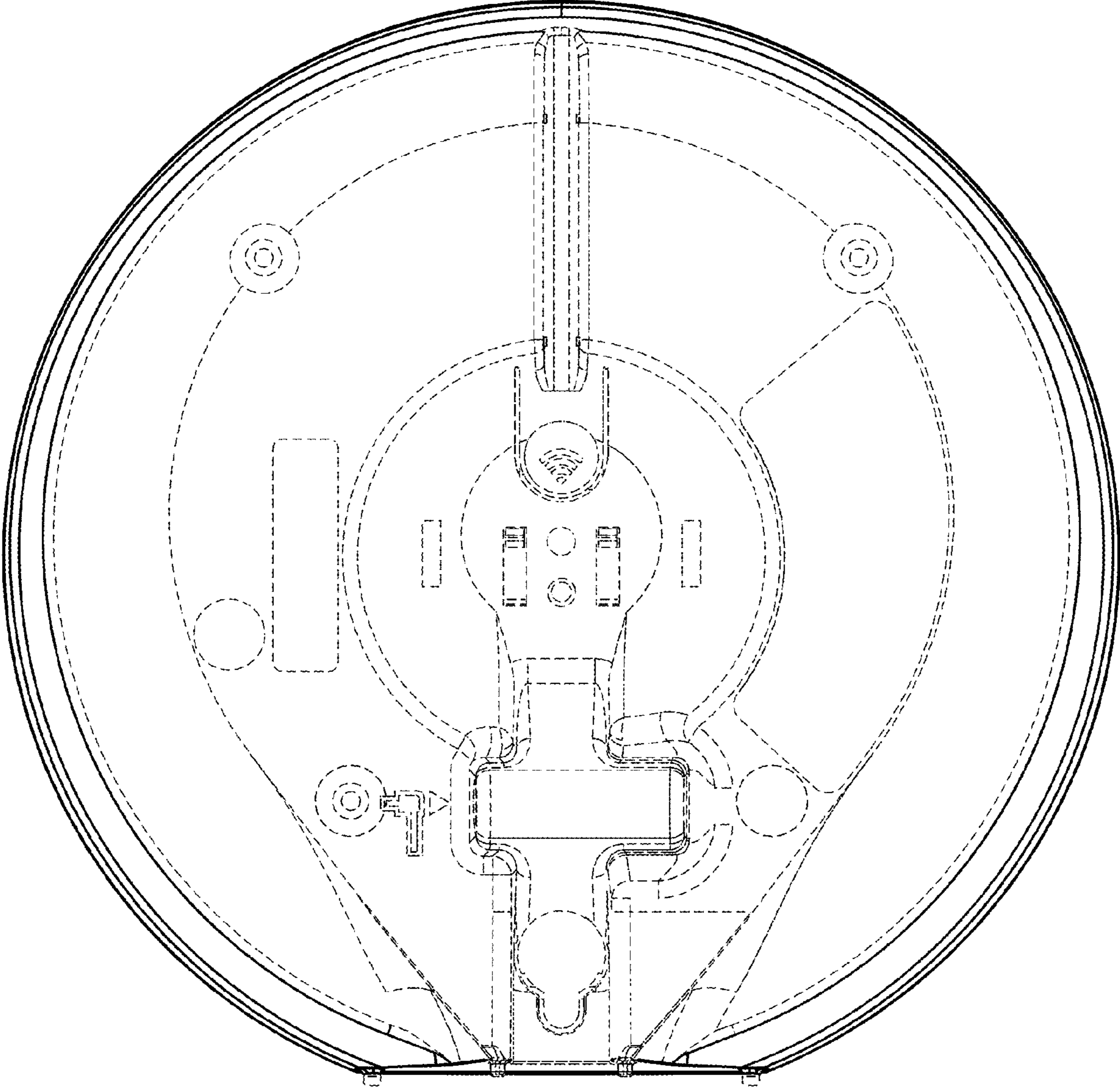
**FIG. 4**



**FIG. 5**



**FIG. 6**



**FIG. 7**